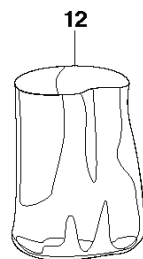
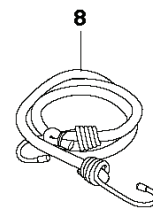
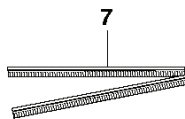
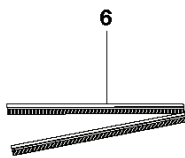
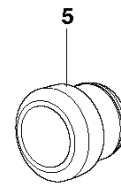
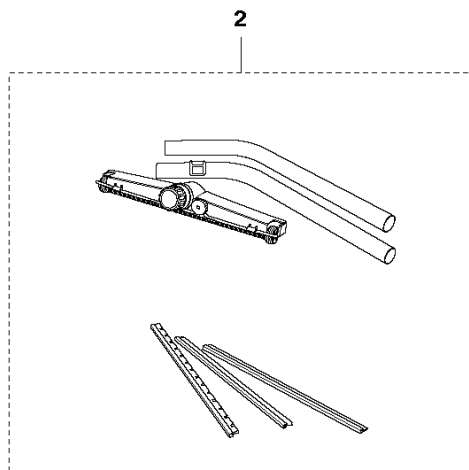
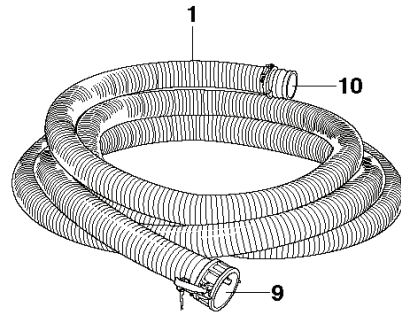


DC 5500, Machine 0906-1 and forward, 2012-

---

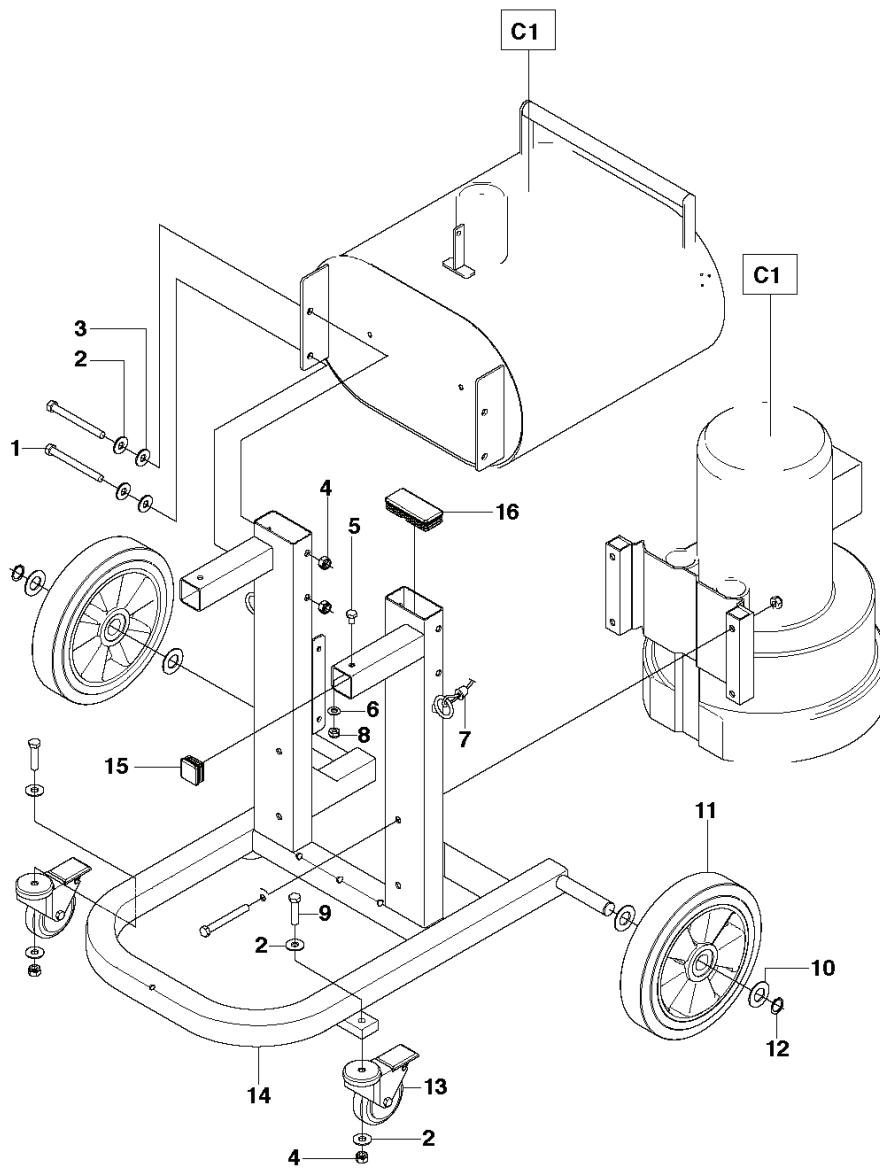
# **SPARE PARTS LIST**

**D** DC5500  
ACCESSORIES



REF.	PART NO.	DESCRIPTION	REMARK	QTY.	KIT
1	525584601	HOSE KIT	"3"	1	
2	585870901	TOOL		1	
5	505539401	ADAPTER	Diam 38mm. Valid to 2013-10	1	
5	585647601	ADAPTER	Diam 42mm. Valid from 2013-10 and forward	1	
6	510278501	TOOL		1	
7	521912101	STRIP		1	
8	502570201	STRAP		1	
9	502569604	COUPLING		1	
10	502569603	COUPLING		1	
11	502569605	HOSE CLAMP		1	
12	502570101	BAGS	INCLUDES 200 ITEMS	1	

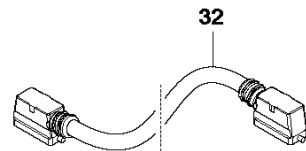
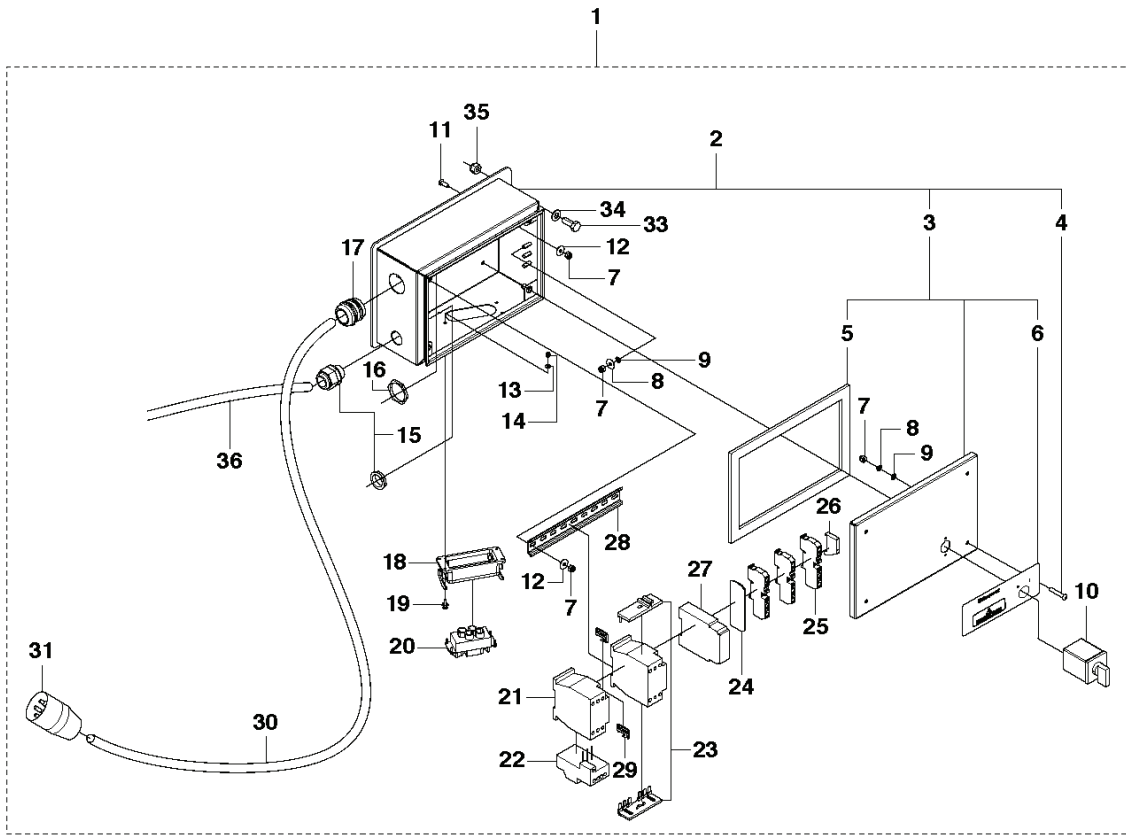
**B** DC5500  
CHASSIS



---

REF.	PART NO.	DESCRIPTION	REMARK	QTY.	KIT
1	725255851	SCREW EHHM		4	
2	734117801	WASHER		8	
3	734117860	WASHER		4	
4	732252201	HEXAGON LOCKING NUT		6	
5	725249376	SCREW EHHM		2	
6	734117201	WASHER		2	
7	502570201	STRAP		1	
8	732252001	HEXAGON LOCKING NUT		2	
9	725254271	SCREW EHHM		2	
10	504751401	WASHER		4	
11	502545001	WHEEL		2	
12	735312600	CIRCLIP		2	
13	502569101	WHEEL		2	
14	502568901	CHASSIS		1	
15	504759701	HUB CAP		2	
16	504753101	HUB CAP		2	

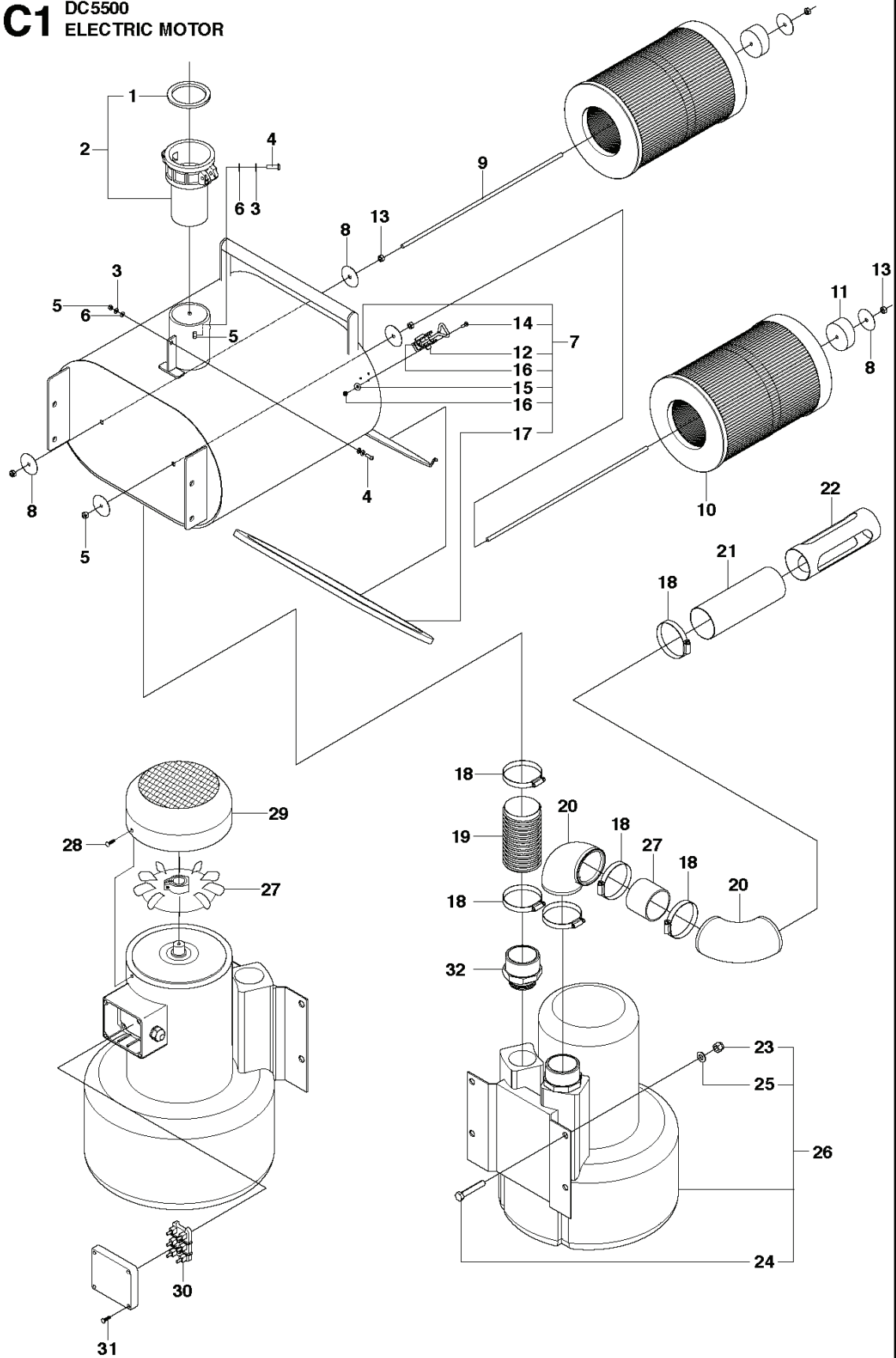
# C2 DC5500 ELECTRIC BOX



REF.	PART NO.	DESCRIPTION	REMARK	QTY.	KIT
1	575315401	BOX	AU	1	
1	575315402	BOX	EU	1	
1	575315403	BOX	US	1	
1	575315404	ELECTRONIC BOX	JP	1	
2	575316001	BOX		1	
2	577205901	ELECTRIC BOX	JP	1	
3	575315701	COVER ASSY		1	4
4	504759101	SCREW IH PANM		4	4
5	502568701	SEAL		1	4.10
6	504760901	DECAL		1	4.10
7	732251601	HEXAGON LOCKING NUT		11	
8	734115201	WASHER		5	
9	735215301	LOCKWASHER		5	
10	522897801	SWITCH		1	
11	541405178	SCREW IH PANM		4	
12	734115441	WASHER		6	
13	734113601	WASHER		4	
14	732251201	HEXAGON LOCKING NUT		4	
15	516061801	GROMMET		1	
16	510431802	NUT		1	
17	525570302	GROMMET		1	
18	516060601	HOUSING		1	
19	724129351	SCREW CR PANM		4	
20	504762601	CONNECTOR		1	
21	522897401	CONTACTOR		2	
21	576933701	CONTACTOR	JP	2	
22	522897501	RELAY		1	
22	576933801	RELAY	JP	1	
23	504760502	WIRING		1	
24	522868902	COVER PLATE		1	
24	577157701	COVER PLATE	JP	1	
25	522897701	TERMINAL BLOCK		3	
25	577157401	TERMINAL BLOCK	JP	3	
26	504739901	CLAMP		1	
27	522897601	RELAY		1	
28	525837101	RAIL		1	
29	504760503	LOCK		1	
30	515985901	CABLE	CE	1	
30	515985902	CABLE	UL	1	
30	577205501	CABLE	JP	1	
31	531117136	PLUG	EU	1	
31	502544001	PLUG	AU	1	
31	576934101	PLUG	JP	1	
31	581136301	PLUG	UL	1	
32	575315501	EXTENSION CABLE	CE	1	
32	575315502	EXTENSION JOINT	UL	1	
32	577205801	EXTENSION JOINT	JP	1	
33	725249376	SCREW EHHM		2	1
34	734117201	WASHER		2	1
35	732252001	HEXAGON LOCKING NUT		2	1
36	575338001	CABLE	CE, JP	1	
36	575338002	CABLE	UL	1	

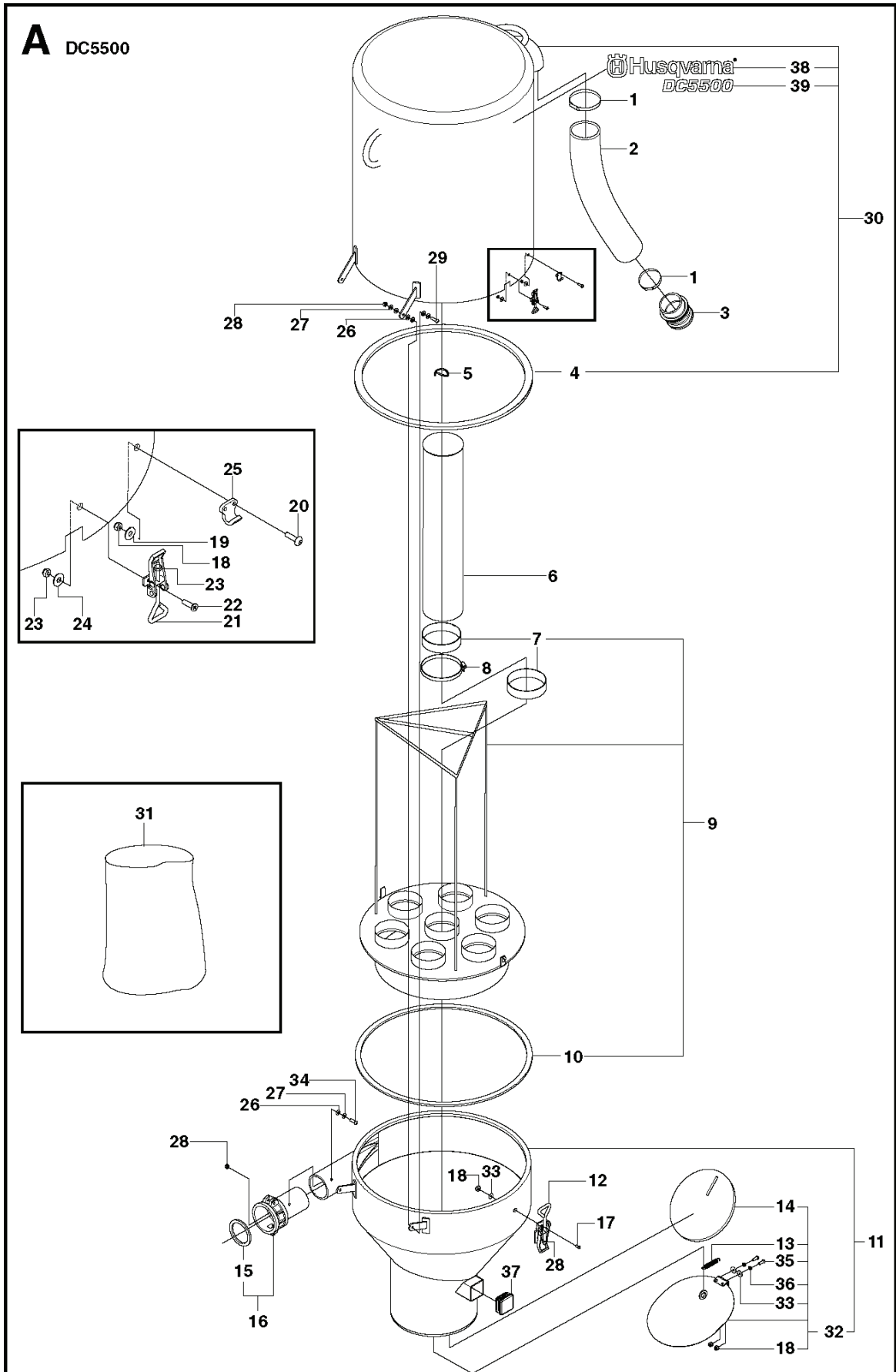


# C1 DC5500 ELECTRIC MOTOR



REF.	PART NO.	DESCRIPTION	REMARK	QTY.	KIT
1	502534005	RUBBER RING		1	2
2	502569604	COUPLING		1	
3	734116301	WASHER		4	
4	504750201	SCREW IH PANM		3	
5	732251801	HEXAGON LOCKING NUT		5	
6	734116360	WASHER		4	
7	575297601	FILTER HOUSING		1	
8	504762001	WASHER		6	
9	502568804	ROD		2	
10	502569501	FILTER		2	
11	515984101	WASHER		2	
12	502570003	LATCH		2	7
13	731231801	HEXAGON NUT		4	
14	724332951	SCREW CRCSFM		4	7
15	734114741	WASHER		4	7
16	732251401	HEXAGON LOCKING NUT		6	7
17	502568301	SEAL		1	7
18	502569605	HOSE CLAMP		6	
19	515984201	HOSE		1	
20	504731801	RUBBER HOSE		2	
21	504732005	BAFFLE		1	
22	504732001	PIPE ASSY		1	
23	732252201	HEXAGON LOCKING NUT		4	
24	725254651	SCREW EHHM		4	
25	734117801	WASHER		4	
26	575297701	BLOWER ASSY		1	
27	575439001	FAN		1	
28	724128751	SCREW		4	
29	575438901	FAN COVER		1	
30	575439101	TERMINAL BLOCK		1	
31	724129151	SCREW CR PANM		4	
32	504759901	ADAPTER		2	

**A** DC5500



REF.	PART NO.	DESCRIPTION	REMARK	QTY.	KIT
1	502569605	HOSE CLAMP		2	
2	515983701	HOSE		1	
3	502569603	COUPLING		1	
4	502568301	SEAL		1	30
5	543850017	TIE STRAP		7	
6	502569301	FILTER		7	
7	502569401	SEAL KIT	INCLUDES 7 ITEMS	1	
8	502569303	HOSE CLAMP		7	
9	515983901	RACK		1	
10	502568701	SEAL		1	9
11	575297501	CONE		1	
12	502570002	LATCH		2	
13	502568404	SPRING		1	
14	502568405	SEAL		1	
15	502534005	RUBBER RING		1	16
16	502569604	COUPLING		1	
17	724337051	SCREW CRCSFM		4	
18	732251601	HEXAGON LOCKING NUT		10	
19	734115201	WASHER		4	
20	504759001	SCREW IH PANM		4	
21	502570003	LATCH		2	
22	724332951	SCREW CRCSFM		4	
23	732251401	HEXAGON LOCKING NUT		6	
24	734114741	WASHER		4	
25	502570004	HOOK		2	
26	734116360	WASHER		8	
27	734116301	WASHER		6	
28	732251801	HEXAGON LOCKING NUT		6	
29	541404815	SCREW IH PANM		2	
30	515983801	HOUSING		1	
31	502570101	BAGS	INCLUDES 200 ITEMS	1	
32	574620301	FLAP		1	
33	734115441	WASHER		6	
34	504750201	SCREW IH PANM		2	
35	541405178	SCREW IH PANM		2	
36	735115301	WASHER		2	
37	504759701	HUB CAP		2	
38	525488802	DECAL		2	30
39	525488601	DECAL		2	30