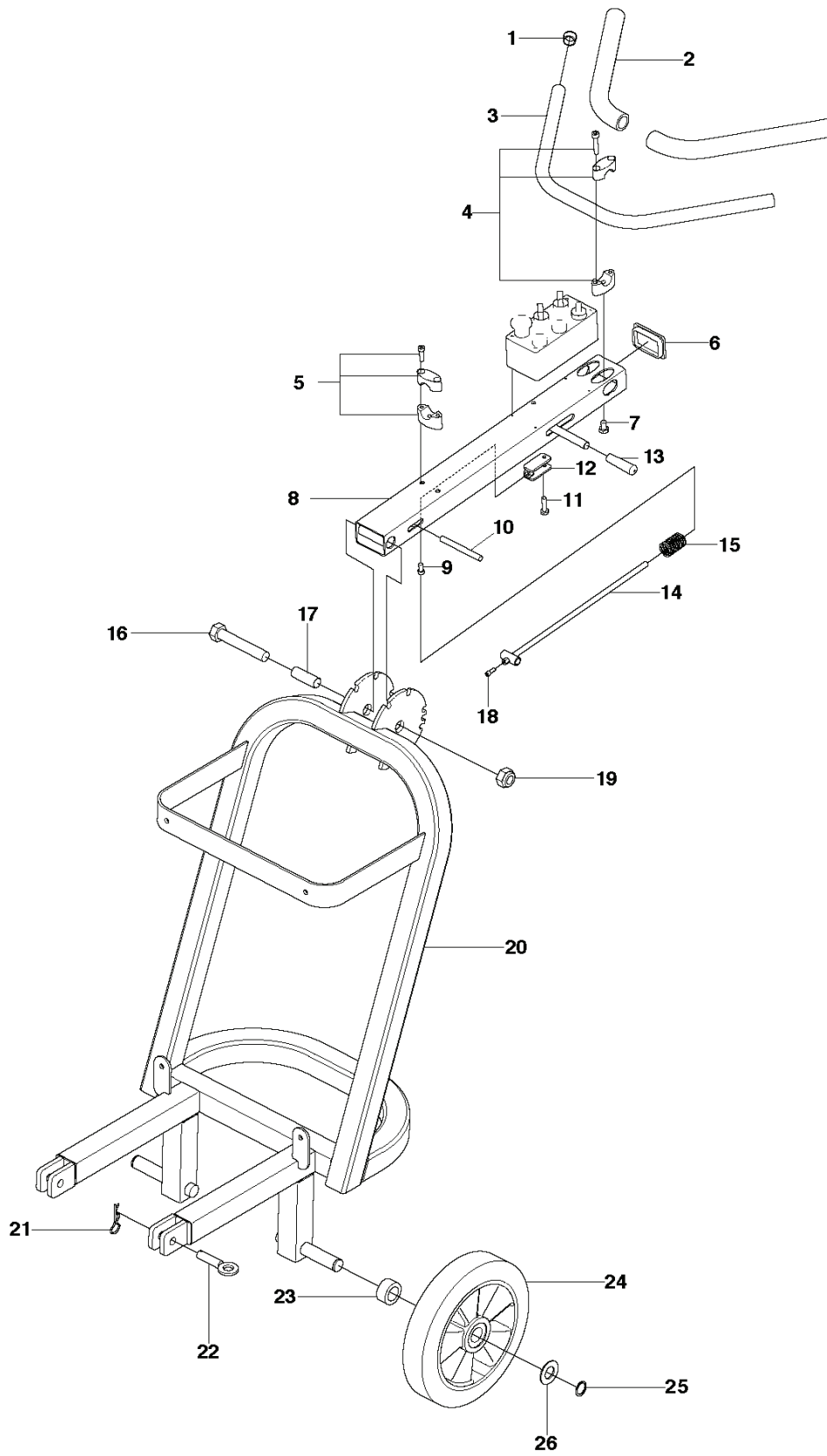


PG 530, Machine 0904-01 and forward, 2010-

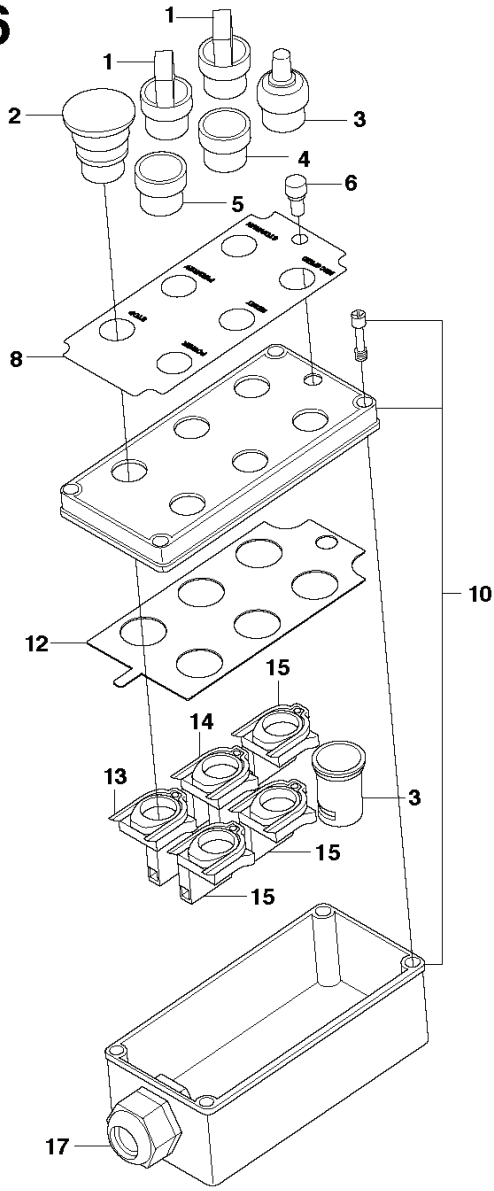
SPARE PARTS LIST

B1

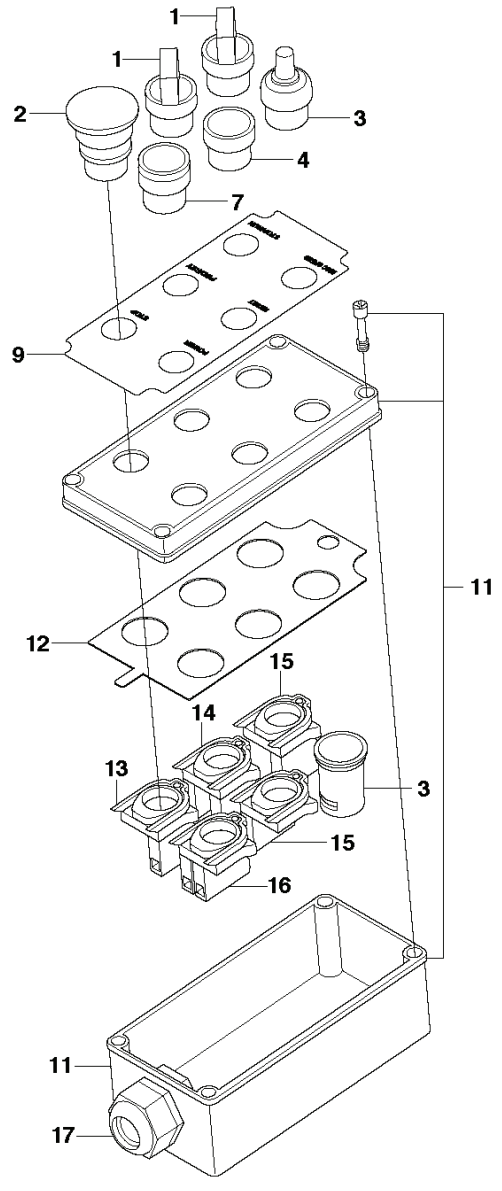
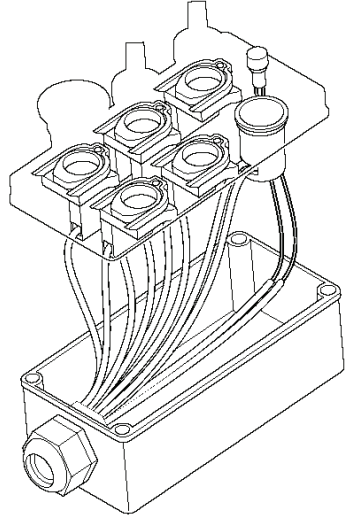


REF.	PART NO.	DESCRIPTION	REMARK	QTY.	KIT
1	543046041	EMBOUT REF 320 GL 25/		2	
2	502544922	RUBBER COVER		2	
3	502566513	HANDLE TUBE		1	
4	502544925	HANDLEBAR		2	
5	502544926	HANDLEBAR		1	
6	516059001	HUB CAP		1	
7	725248976	SCREW EHHM		2	
8	502566502	HANDLEBAR ASSY		1	
9	725544501	SCREW IHSCM		2	
10	516059301	PEN		1	
11	725245576	SCREW EHHM		1	
12	502544905	BRACKET		1	
13	502544923	RUBBER COVER		1	
14	522659901	ROD		1	
15	502544927	COMPRESSION SPRING		1	
16	504750701	SCREW		1	
17	516059701	SLEEVE		1	
18	724136451	SCREW CRPANM		1	
19	504750601	LOCK NUT		1	
20	502566401	CHASSIS		1	
21	721680251	SPRING COTTER		2	
22	504729701	PEN		2	
23	504727707	SPACING TUBE		2	
24	502545001	WHEEL		2	
25	735312600	CIRCLIP		2	
26	504751401	WASHER		2	

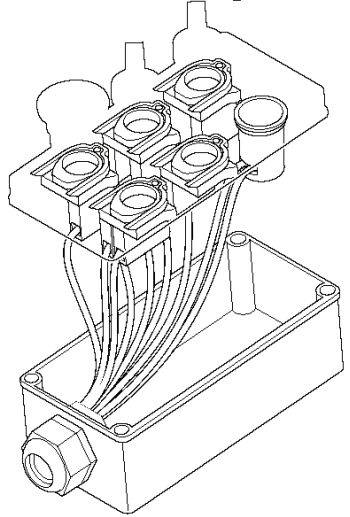
C6



3 Phase

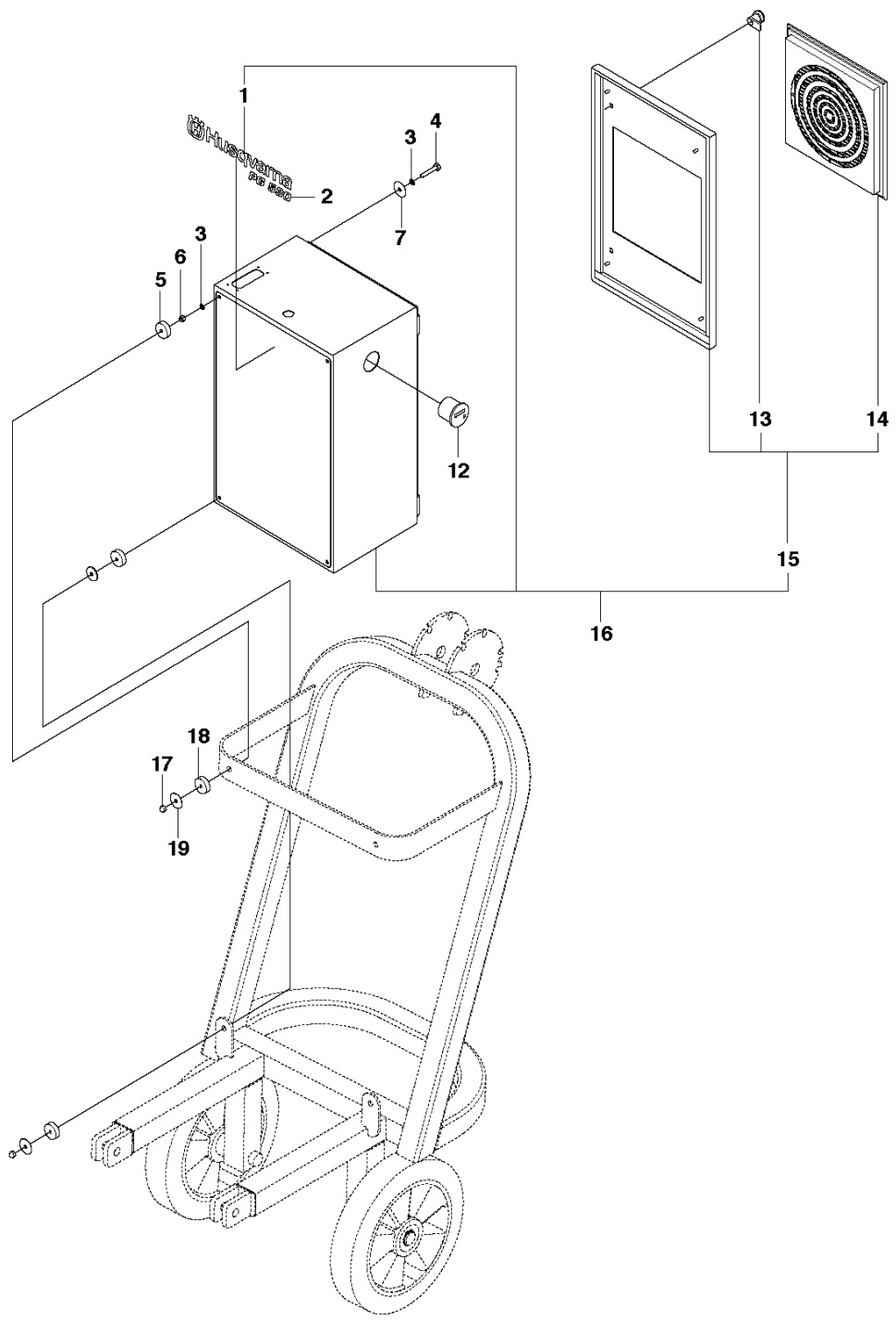


Single Phase



REF.	PART NO.	DESCRIPTION	REMARK	QTY.	KIT
1	504738601	SWITCH		2	
2	504739401	BUTTON		1	
3	502542901	CONTROL		1	
4	504738801	PUSH BUTTON		1	
5	504739001	PUSH BUTTON		1	
6	504739601	LAMP		1	
6	580881601	LAMP	UL	1	
7	504755001	PUSH BUTTON		1	
8	522676901	DECAL		1	
9	504755601	DECAL		1	
10	522661101	ELECTRIC BOX		1	
11	504754301	ELECTRIC BOX		1	
12	525736501	PLATE		1	
13	504739501	BUTTON		1	
14	504738701	BUTTON		1	
15	504738901	BUTTON		3	
16	504755101	BUTTON		1	
17	516061801	GROMMET		1	

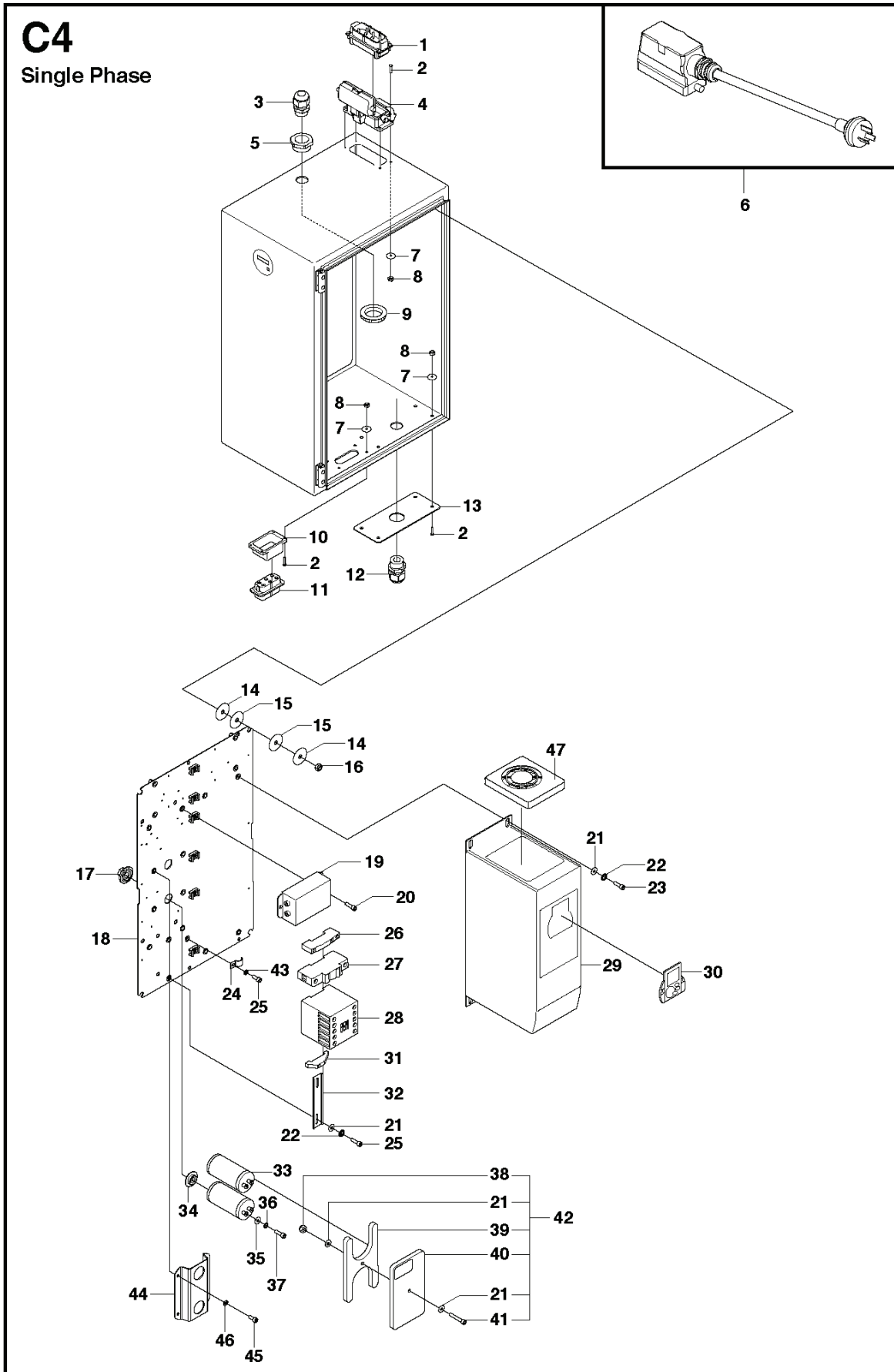
B2



REF.	PART NO.	DESCRIPTION	REMARK	QTY.	KIT
1	525488801	DECAL		1	16
2	525488501	DECAL		1	
3	735216401	LOCKWASHER		8	
4	725246171	SCREW EHHM		4	
5	502533901	WASHER		4	
6	732251801	HEXAGON LOCKING NUT		4	
7	504747301	WASHER		4	
12	504741301	HOUR METER		1	
12	580881701	HOUR METER	UL	1	
13	516059801	LATCH	15	2	1.13
14	502544101	VENT	15	1	1.13
15	574441001	BOARD	16	1	1
16	574440801	BOX		1	
16	574440802	ELECTRIC BOX	UL	1	
17	543044766	NUT		4	
18	515984101	WASHER		4	
19	521886701	WASHER		4	

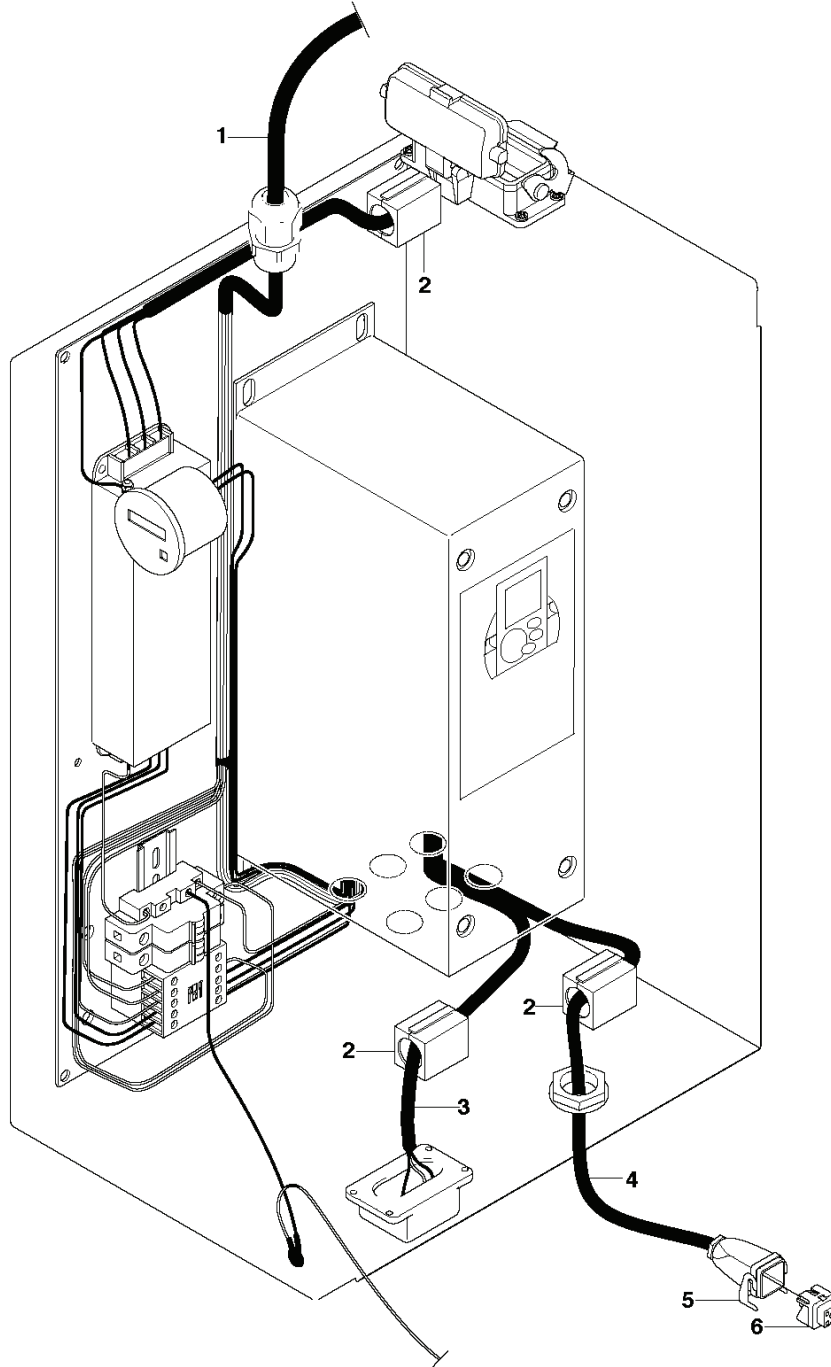
C4

Single Phase



REF.	PART NO.	DESCRIPTION	REMARK	QTY.	KIT
1	516061501	CONNECTOR		1	
2	724129351	SCREW CRPANM		12	
3	516061801	GROMMET		1	
4	516060602	HOUSING		1	
5	504762401	ADAPTER		1	
6	525584501	CABLE KIT		1	
6	525584502	CABLE KIT		1	
6	525584503	CABLE KIT		1	
6	525584504	CABLE KIT		1	
7	734113601	WASHER		12	
8	732251201	HEXAGON LOCKING NUT		12	
9	575510101	NUT		1	
10	516060401	HOUSING		1	
11	516060501	CONNECTOR		1	
12	516061201	GROMMET		1	
13	525311401	COVER PLATE		1	
14	521886701	WASHER		8	
15	516060101	WASHER		8	
16	732251801	HEXAGON LOCKING NUT		4	
17	586853101	NUT		2	
18	574441201	PLATE		1	
19	504717001	FILTER	Not UL	1	
20	521886402	SCREW	Not UL	2	
21	734115441	WASHER		8	42
22	735115301	WASHER		6	
23	725537051	SCREW IHSCM		4	
24	504758401	CABLE CLAMP		1	
25	725536801	SCREW IHSCM		3	
26	502543801	TERMINAL BLOCK		1	
27	504753701	CIRCUIT BREAKER		1	
27	578350601	CIRCUIT BREAKER	UL	1	
28	504753601	CONTACTOR		1	
29	502564302	FREQUENCY INVERTER		1	
30	516061001	PAN		1	
30	505464001	KEYBOARD		1	
31	504739901	CLAMP		1	
32	516061101	RAIL		1	
33	585851501	CAPACITOR	For machines before SN 2014 2200007	1	
33	585843201	CAPACITOR		2	
34	586853201	WASHER		2	
35	734114601	WASHER		4	
36	735114601	SPRING WASHER		4	
37	725232771	SCREW EHHM		4	
38	732251601	HEXAGON LOCKING NUT		1	42
39	522660601	COVER		1	42
40	522660701	COVER		1	42
41	725537401	SCREW IHSCM		1	42
42	522660801	COVER		1	
43	735215301	LOCKWASHER		1	
44	586589201	BRACKET		1	
45	725536801	SCREW IHSCM		1	
46	735115301	WASHER		1	
47	589411601	FAN		1	

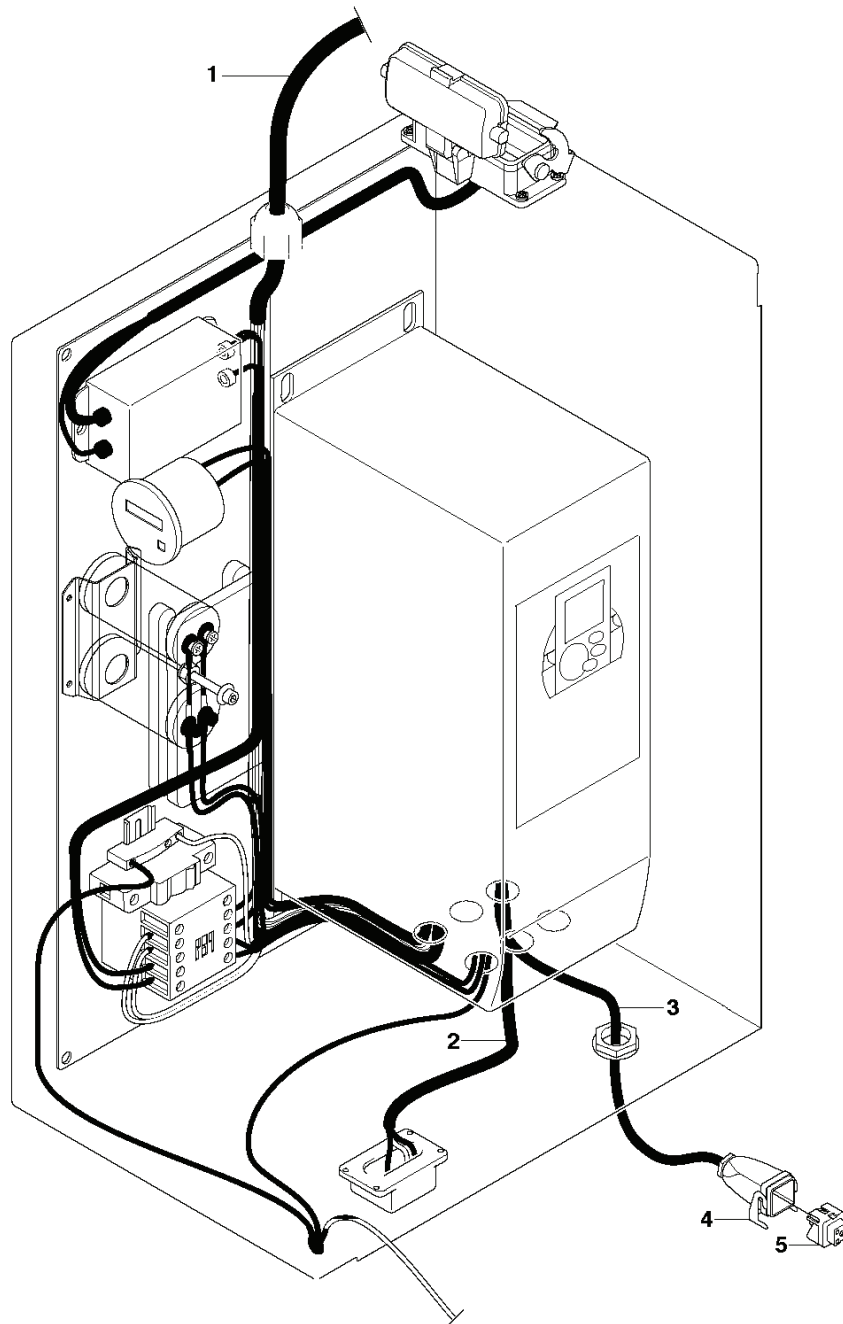
C3
3 phase



REF.	PART NO.	DESCRIPTION	REMARK	QTY.	KIT
1a	504753901	PANEL		1	
2	504717201	FERRITE		3	
3a	522660201	CABLE		1	
3b	522660202	CABLE		1	
4a	522660101	CABLE		1	
4b	522660102	CABLE		1	
5	522661401	PLUG		1	
6	522661601	CONNECTOR		1	

C2

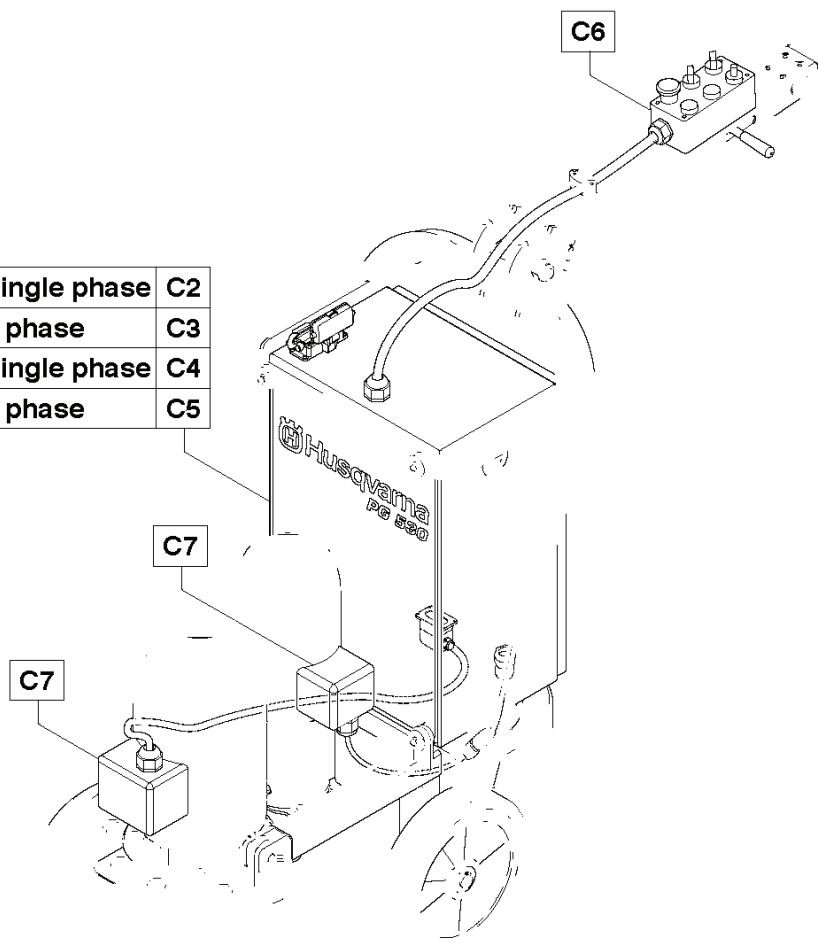
Single Phase



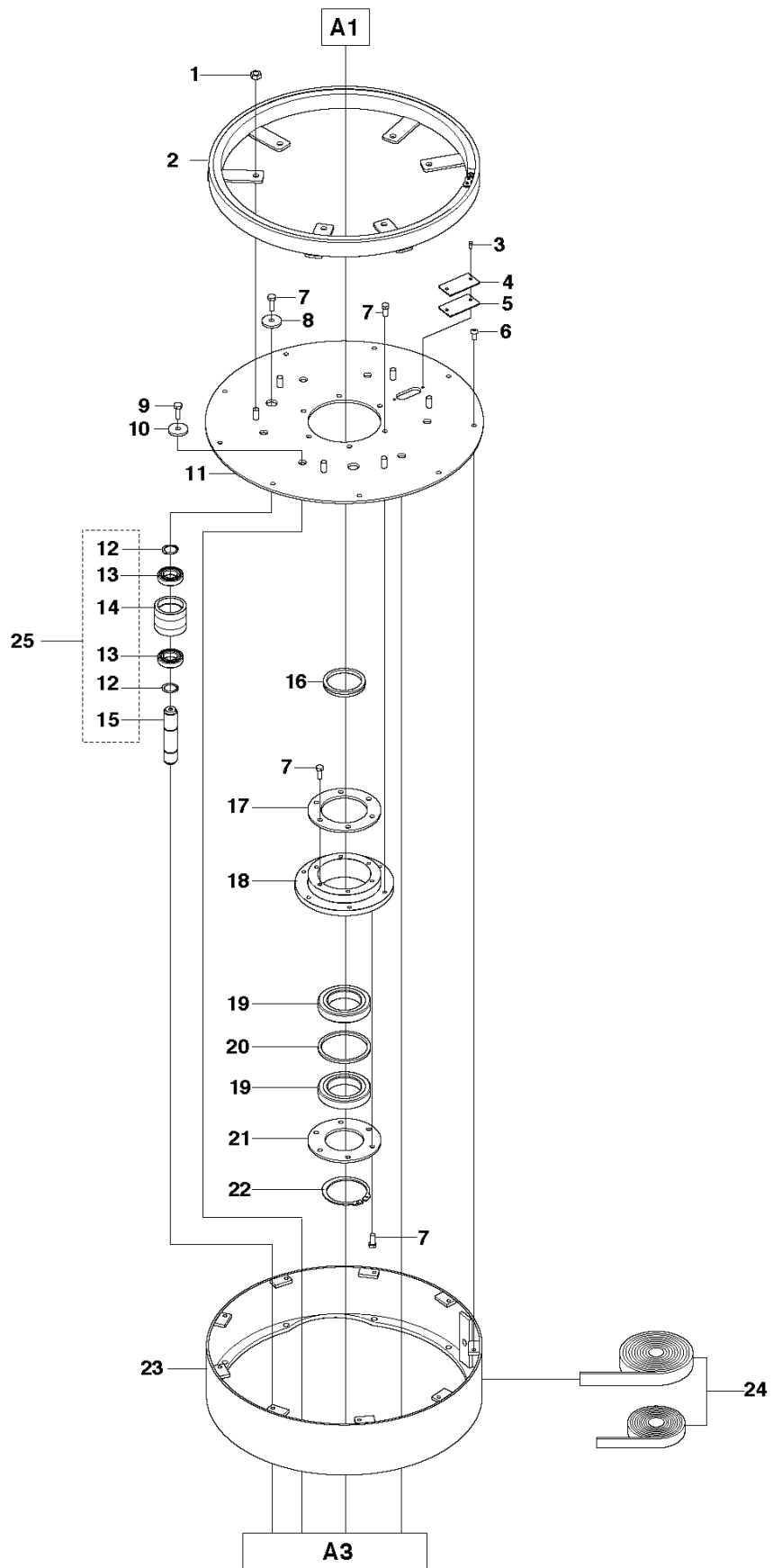
REF.	PART NO.	DESCRIPTION	REMARK	QTY.	KIT
1	504753901	PANEL		1	
2	522660001	CABLE		1	
2	522660002	CABLE		1	
3	522660101	CABLE		1	
3	522660102	CABLE		1	
4	522661401	PLUG		1	
5	522661601	CONNECTOR		1	

C1

Single phase	C2
3 phase	C3
Single phase	C4
3 phase	C5

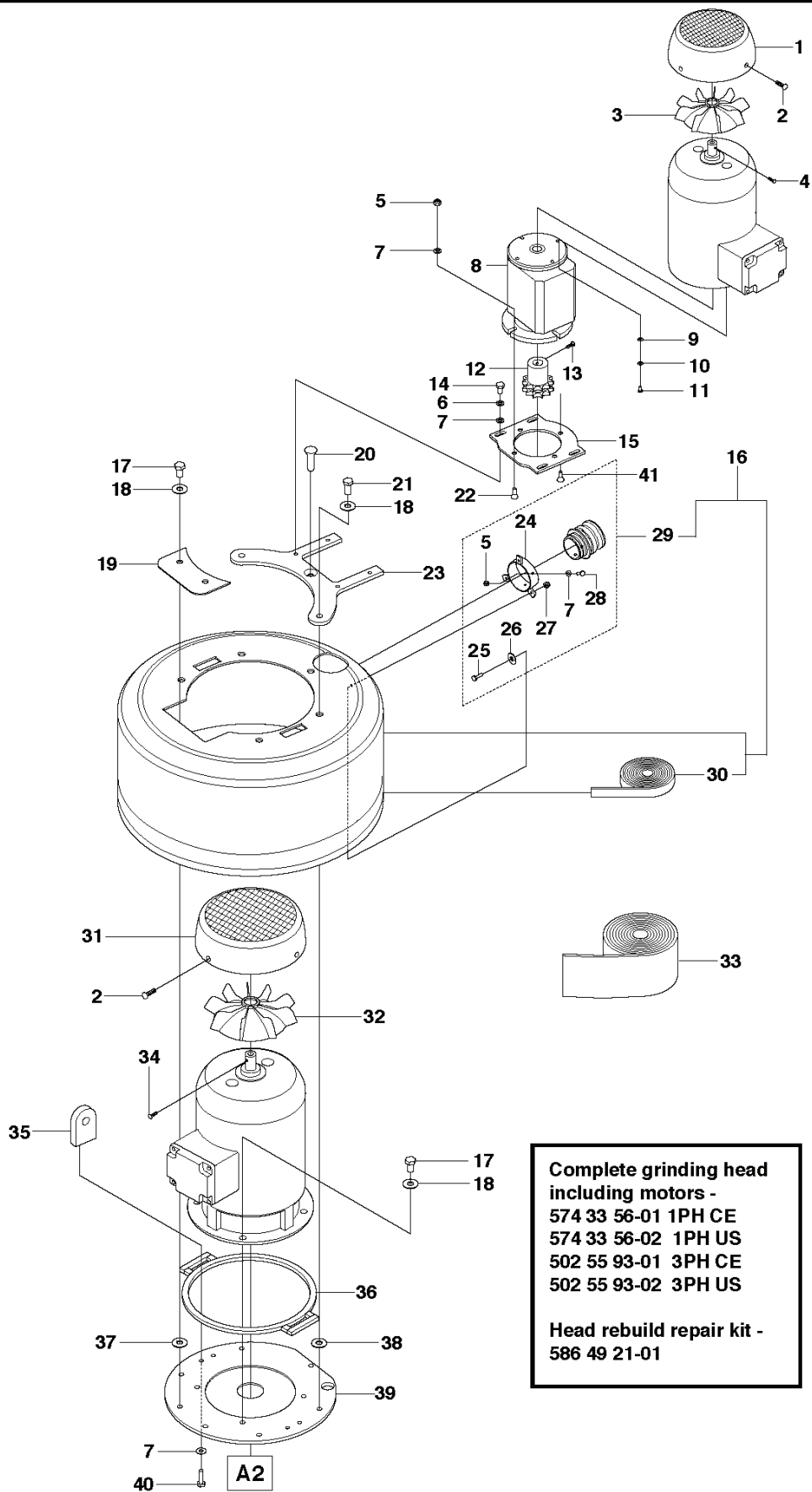


A2



REF.	PART NO.	DESCRIPTION	REMARK	QTY.	KIT
1	732252001	HEXAGON LOCKING NUT		6	
2	502562301	CHAIN		1	
3	724136451	SCREW CRPANM		2	
4	504727901	COVER PLATE		1	
5	516058501	SEAL		1	
6	522619901	SCREW IHANM		9	
7	725245176	SCREW EHHM		20	
8	543046647	WASHER		2	
9	522620101	SCREW		6	
10	734118201	WASHER		6	
11	502561101	TOP PLATE		1	
12	735312600	CIRCLIP		2	
13	502562801	BALL BEARING		2	
14	502560401	PULLEY		1	
15	502560301	SHAFT		2	
16	502539801	SEAL		1	
17	504725001	PLATE		1	
18	502560801	BEARING HOUSING		1	
19	502562601	BALL BEARING		2	
20	504724801	SPACER		1	
21	504724901	PLATE		1	
22	502539601	CIRCLIP		1	
23	502562001	RIM		1	
24	582318603	SEAL KIT		1	
25	579373601	PULLEY ASSY		1	

A1



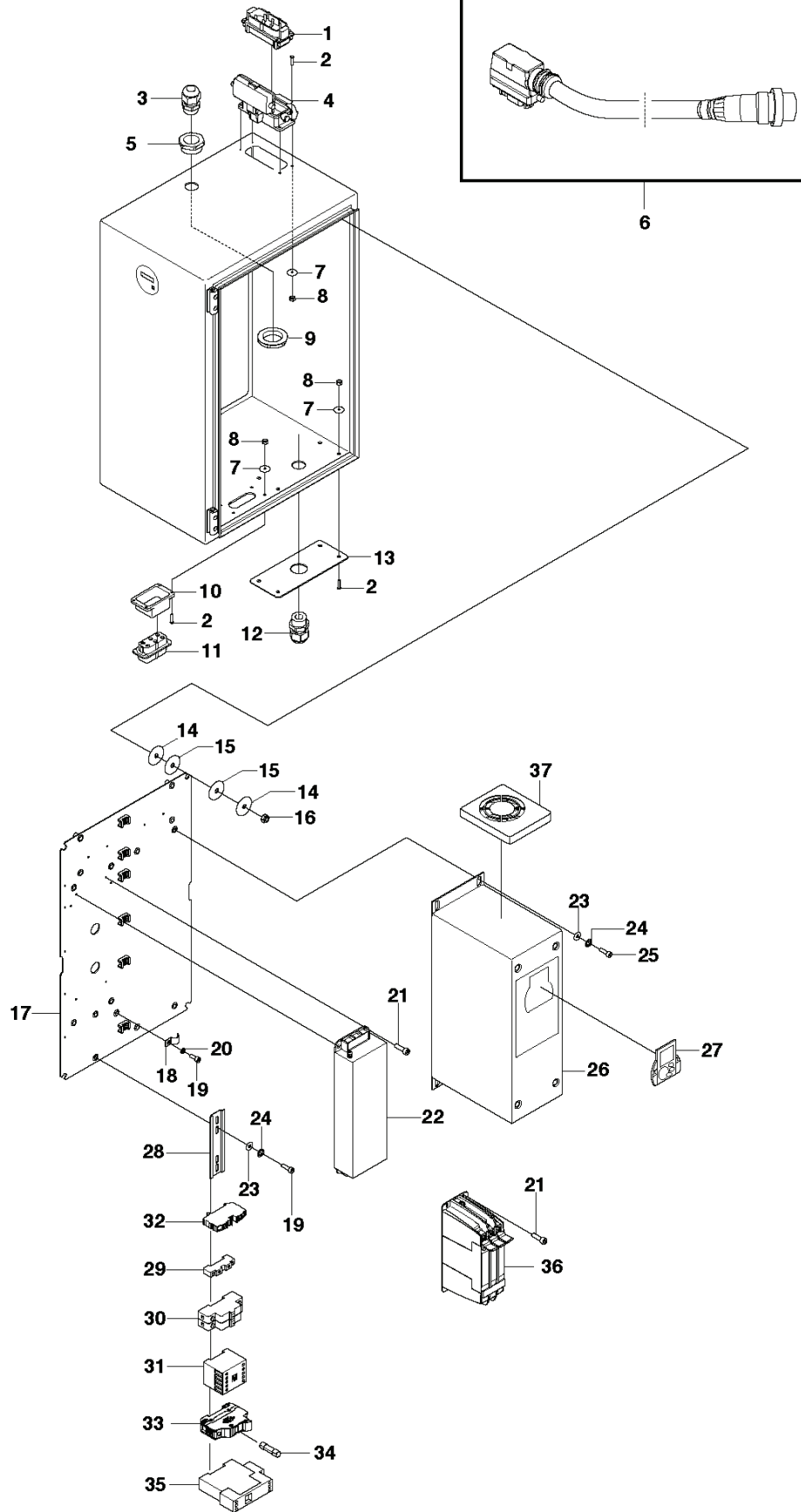
Complete grinding head including motors -
574 33 56-01 1PH CE
574 33 56-02 1PH US
502 55 93-01 3PH CE
502 55 93-02 3PH US

Head rebuild repair kit -
586 49 21-01

REF.	PART NO.	DESCRIPTION	REMARK	QTY.	KIT
1	522658401	COVER		1	
2	723132051	SCREW SLCHM		7	
3	522658601	FAN		1	
4	522658501	PEN		1	
5	732251801	HEXAGON LOCKING NUT		6	16, 29
6	735116401	SPRING WASHER		8	
7	734116301	WASHER		14	16, 29
8	502559601	GEARBOX		1	
9	734115201	WASHER		4	
10	735115301	WASHER		4	
11	725237271	SCREW EHHM		4	
12	502564001	DRIVE SPROCKET		1	
13	541405178	SCREW IH PANM		2	
14	725244976	SCREW EHHM		4	
15	502561601	PLATE		1	
16	522658901	COVER ASSY		1	
17	725253271	SCREW EHHM		8	
18	734117801	WASHER		10	
19	504725101	COVER PLATE		1	
20	522658101	SCREW IHCSFM		1	
21	725253671	SCREW EHHM		2	
22	725645551	SCREW IHCSFM		4	
23	502561501	BRACKET		1	
24	522658701	BRACKET		1	16, 29
25	724337051	SCREW CRCSFM		3	16, 29
26	504747301	WASHER		2	
27	732251601	HEXAGON LOCKING NUT		3	16, 29
28	725245376	SCREW EHHM		2	16, 29
29	522658801	SERVICE TOOLS		1	16, 29
30	502538501	COVER		1	
31	505556601	COVER		1	16
31	522659001	COVER		1	
32	505556501	FAN		1	
32	522659201	FAN		1	
33	590499201	RUBBER SKIRT		1	
34	522659301	PEN		1	
35	504725601	LIFTING LUG		2	
36	502568701	SEAL		1	
37	504726304	WASHER		2	
38	504729501	WASHER		5	
39	502561301	PLATE		1	
40	725245576	SCREW EHHM		4	
41	725645151	SCREW IHCSFM		1	

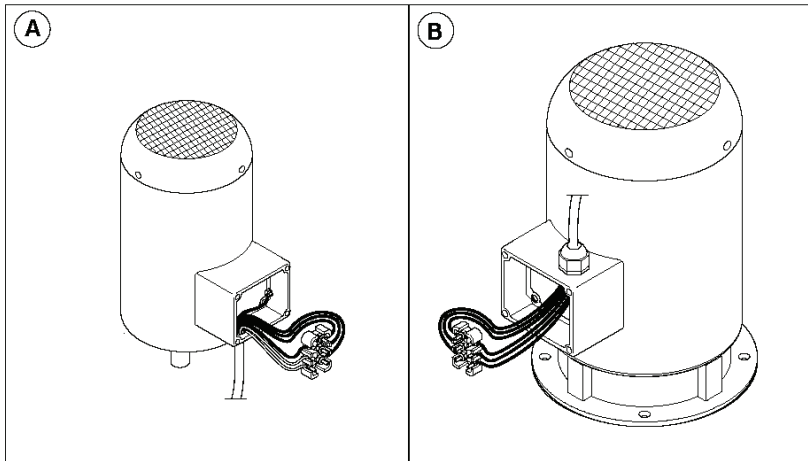
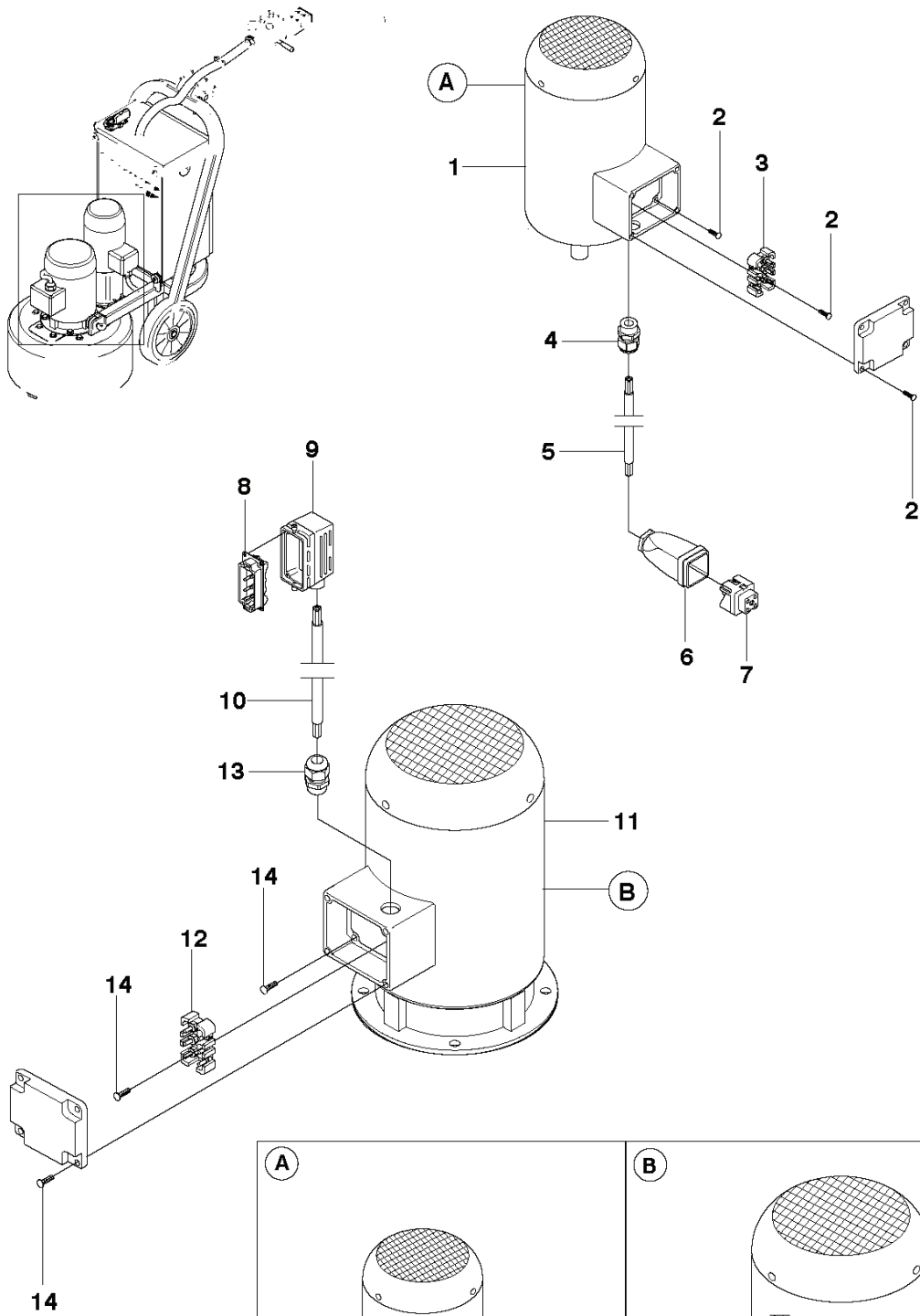
C5

3 Phase



REF.	PART NO.	DESCRIPTION	REMARK	QTY.	KIT
1	504762501	CONNECTOR		1	
2	724129351	SCREW CRPANM		12	
3	516061801	GROMMET		1	
4	516060602	HOUSING		1	
5	504762401	ADAPTER		1	
6	574441302	PLUG		1	
6	531117136	PLUG		1	
6	580952301	CABLE ASSY	UL	1	
7	734113601	WASHER		12	
8	732251201	HEXAGON LOCKING NUT		12	
9	575510101	NUT		1	
10	516060401	HOUSING		1	
11	516060501	CONNECTOR		1	
12	516061201	GROMMET		1	
13	525311401	COVER PLATE		1	
14	521886701	WASHER		8	
15	516060101	WASHER		8	
16	732251801	HEXAGON LOCKING NUT		4	
17	574441201	PLATE		1	
18	504758401	CABLE CLAMP		1	
19	725536801	SCREW IHSCM		3	
20	735215301	LOCKWASHER		1	
21	521886402	SCREW	Not UL	4	
22	522661001	FILTER	Not UL	1	
23	734115441	WASHER		6	
24	735115301	WASHER		6	
25	725537051	SCREW IHSCM		4	
26	502564102	FREQUENCY INVERTER		1	
27	516061001	PAN		1	
27	505464001	KEYBOARD		1	
28	516061101	RAIL		1	
29	502543801	TERMINAL BLOCK		1	
30	502543701	CIRCUIT BREAKER		1	
30	578350501	CIRCUIT BREAKER	UL	1	
31	502565301	CONTACTOR		1	
37	589411601	FAN		1	

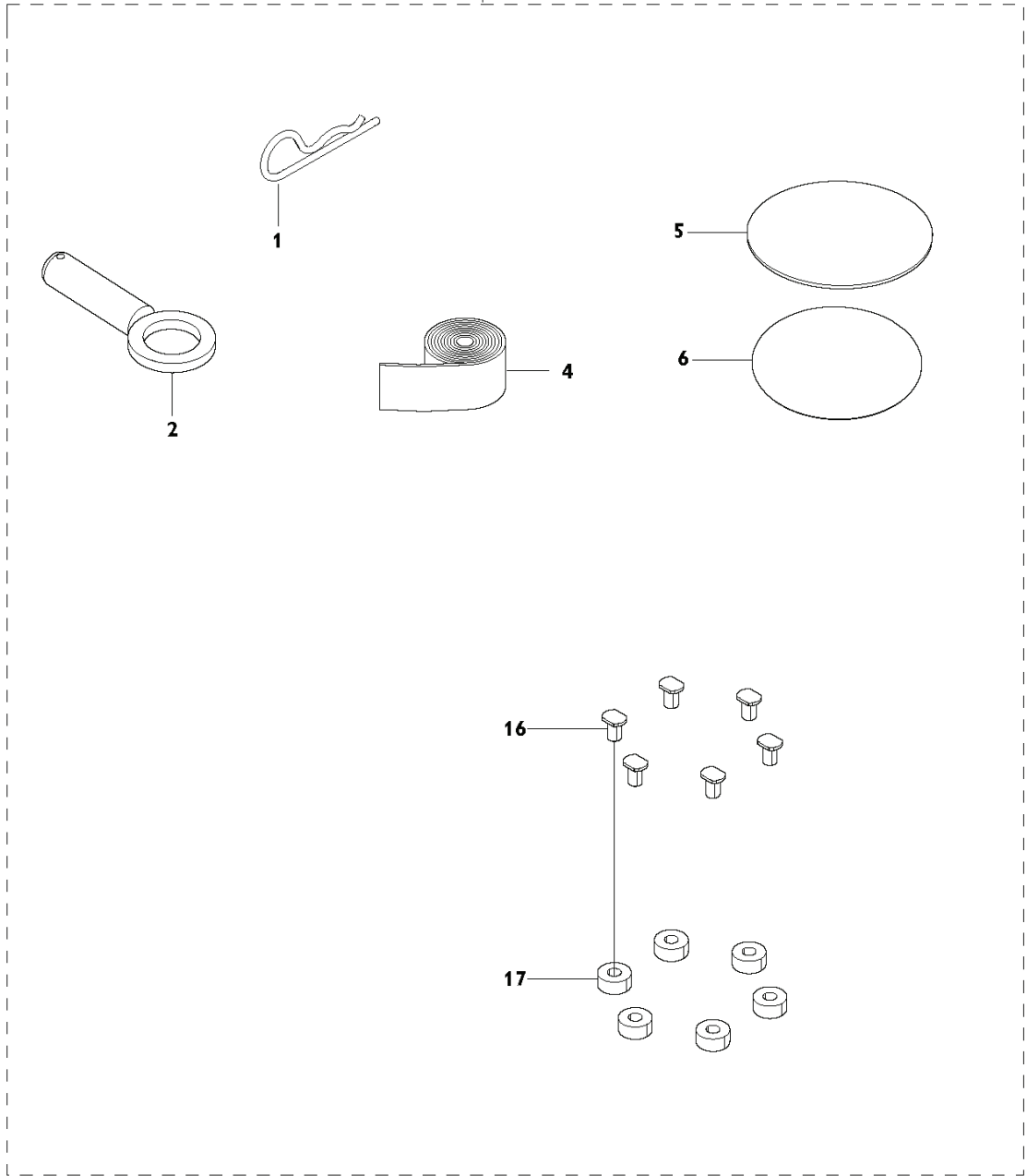
C7



REF.	PART NO.	DESCRIPTION	REMARK	QTY.	KIT
1	502559701	ELECTRIC MOTOR		1	
2	723132751	SCREW SLCHM		10	
3	516061901	TERMINAL BLOCK		1	
4	516061201	GROMMET		1	
5a	504755801	CABLE ASSY		1	
5b	504755802	CABLE ASSY		1	
6	522661301	PLUG		1	
7	522661501	CONNECTOR		1	
8	516061401	CONNECTOR		1	
9	516061301	HOOD		1	
10a	522661701	CABLE		1	
10b	522661702	CABLE	UL	1	
11a	502559401	MOTOR		1	
11b	505523201	MOTOR		1	
12a	516061901	TERMINAL BLOCK		1	
12b	516062001	TERMINAL BLOCK		1	
13a	516061201	GROMMET		1	
13b	516061801	GROMMET		1	
14a	723132751	SCREW SLCHM		10	
14b	724136851	SCREW CRPANM		10	

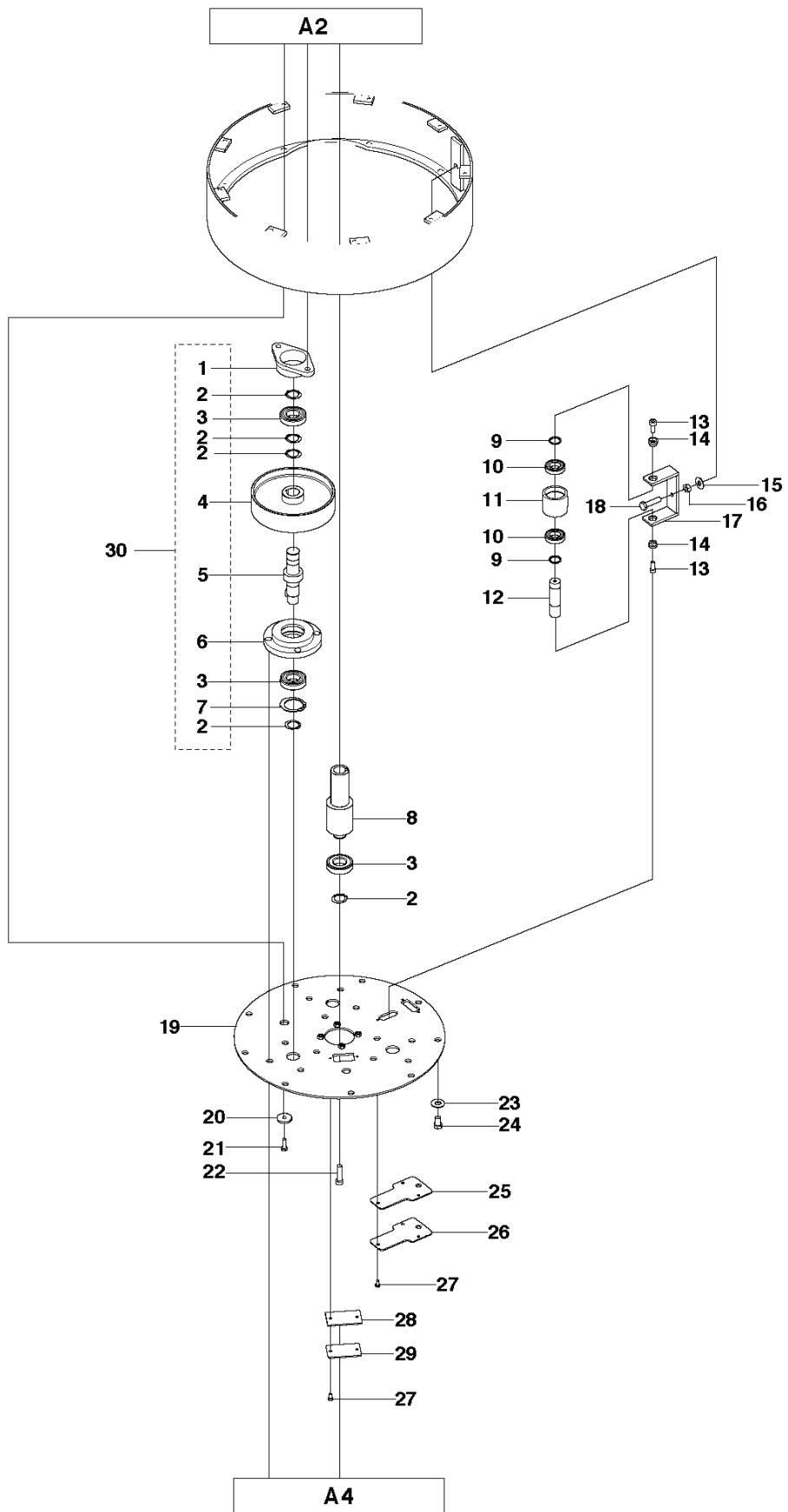
D

20



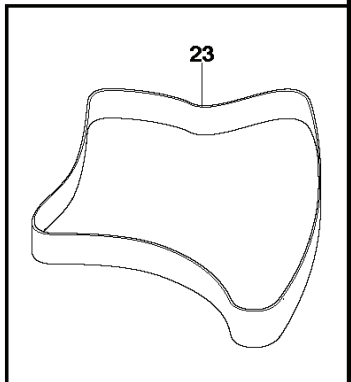
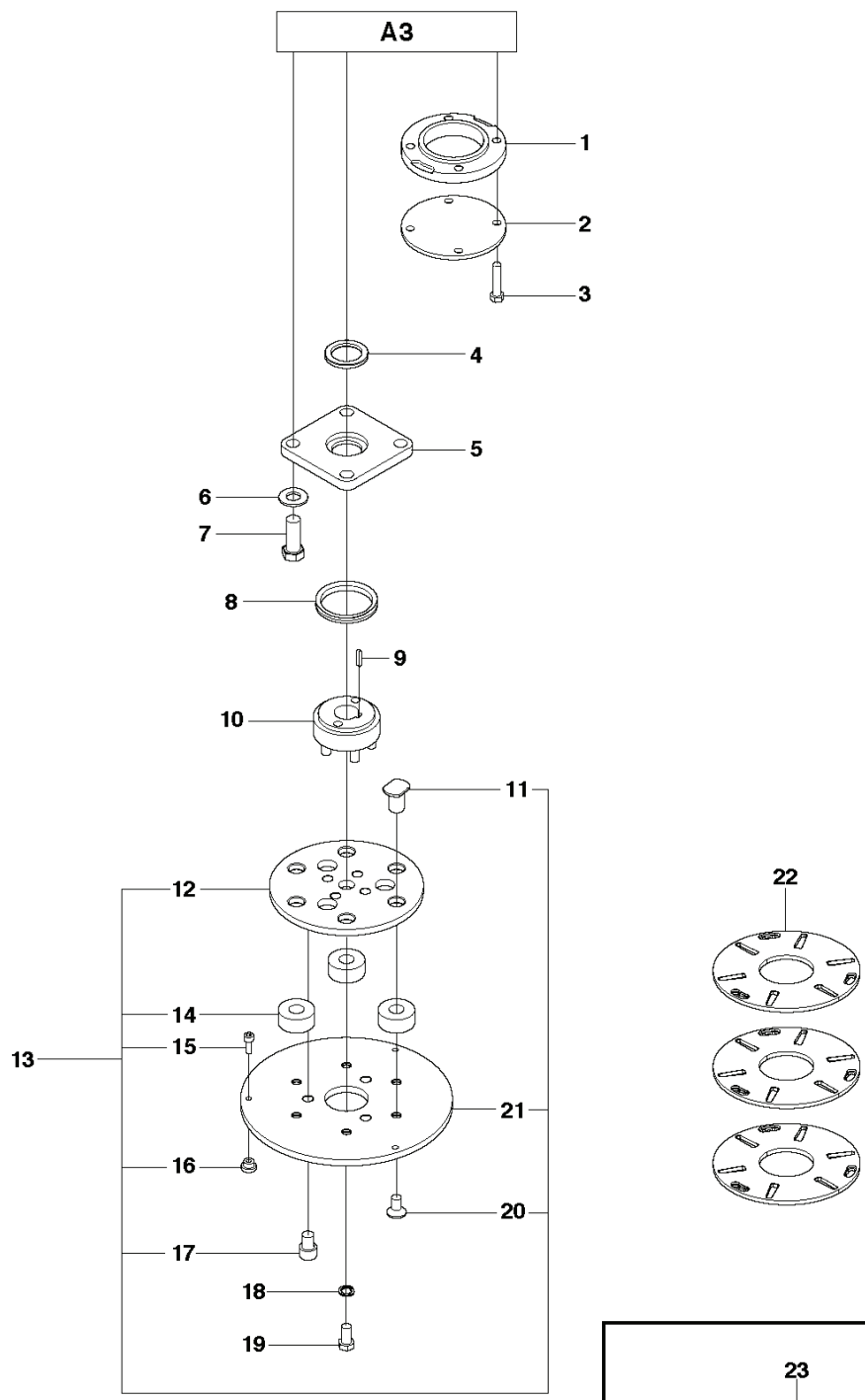
REF.	PART NO.	DESCRIPTION	REMARK	QTY.	KIT
1	721680251	SPRING COTTER		2	
2	504729701	PEN		2	
4	590499201	RUBBER SKIRT		1	
5	502545501	HOLDER		1	
6	502545601	HOLDER		1	
16	522659803	PEN		6	
17	502533901	WASHER		6	

A3



REF.	PART NO.	DESCRIPTION	REMARK	QTY.	KIT
1	502560701	BEARING HOUSING		3	
2	735313000	CIRCLIP		13	
3	502562401	BALL BEARING		7	
4	502560001	PULLEY		3	
5	502560201	SHAFT		3	
6	502560601	BEARING HOUSING		3	
7	502563301	CIRCLIP		3	
8	502560101	PULLEY		1	
9	735312600	CIRCLIP		2	
10	502562801	BALL BEARING		2	
11	502560401	PULLEY		1	
12	502560501	SHAFT		1	
13	725545101	SCREW IHSCM		2	
14	504724201	GUIDE BUSHING		2	
15	734117201	WASHER		1	
16	731232001	HEXAGON NUT		1	
17	502561901	FRAME		1	
18	725249971	SCREW EHHM		1	
19	502561201	BOTTOM PLATE		1	
20	543046647	WASHER		2	
21	725245176	SCREW EHHM		2	
22	522620201	SCREW IHSCM		1	
23	734117801	WASHER		9	
24	725253471	SCREW EHHM		9	
25	522659501	SEAL		1	
26	504725501	COVER PLATE		1	
27	725236671	SCREW EHHM		5	
28	516058501	SEAL		1	
29	504727901	COVER PLATE		1	
30	576951001	PULLEY		1	

A4



REF.	PART NO.	DESCRIPTION	REMARK	QTY.	KIT
1	502560901	BEARING HOUSING		1	
2	502561401	COVER PLATE		1	
3	725245576	SCREW EHHM		4	
4	502563401	RADIAL SEAL		3	
5	504759801	HOUSING		3	
6	734118201	WASHER		12	
7	522620301	SCREW		12	
8	502563601	SEAL		3	
9	522659601	PARALLEL KEY		3	
10	502561001	HEAD		3	
11	522659803	PEN		18	13
12	522659701	PLATE		3	13
13	502558201	GRINDER		3	
14	502533901	WASHER		9	13
15	725536851	SCREW IHSCM		9	13
16	502534401	LOCK		9	13
17	504748401	SCREW IHSCM		9	13
18	504749602	LOCKWASHER		3	
19	522661801	SCREW EHHM		3	
20	725649151	SCREW IHCSFM		18	13
21	522659802	PLATE		3	13
22	502545801	HOLDER		3	
23	502563901	DRIVE CABLE		1	
	PART NO.		REMARK		KIT