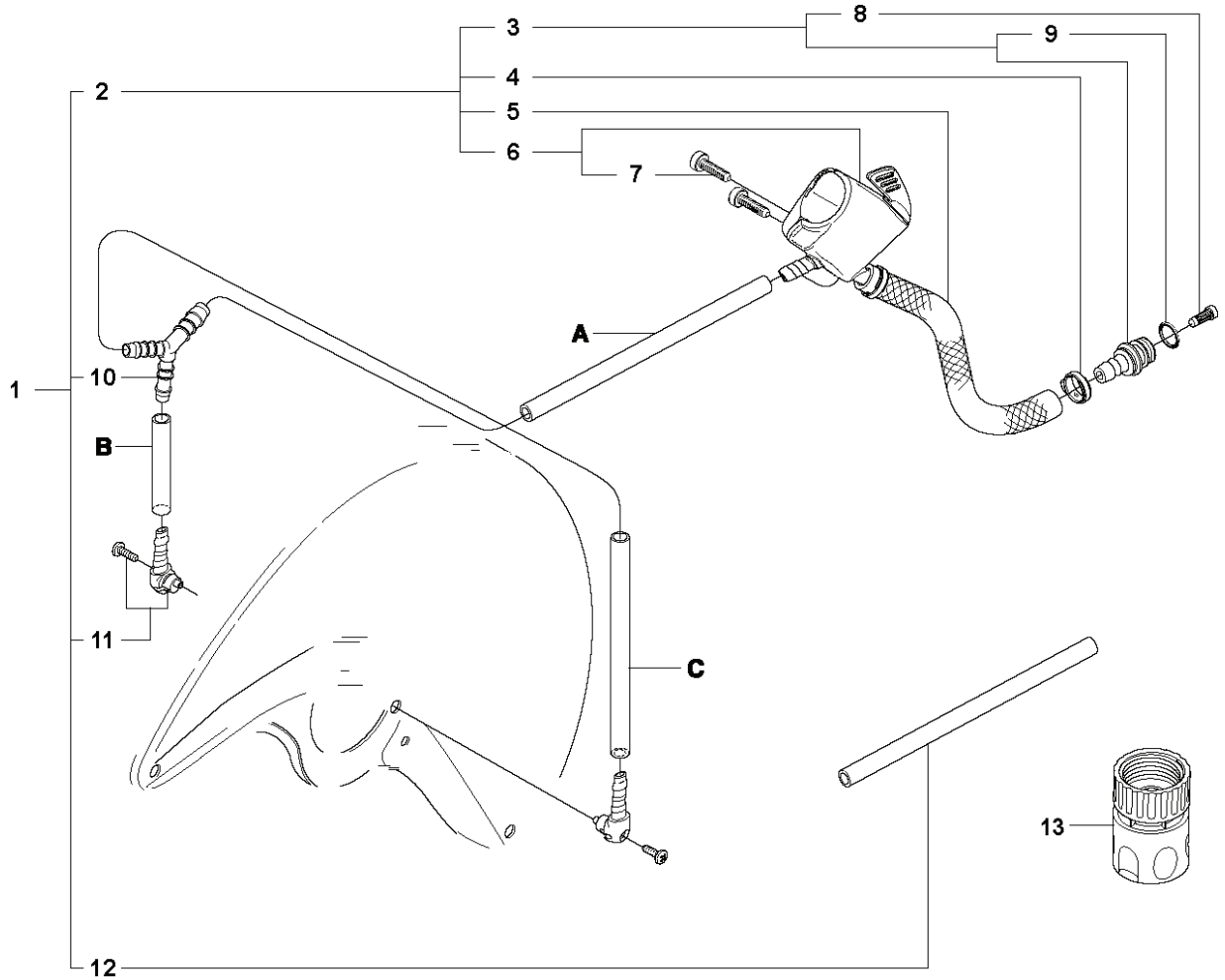


K30, 2007-01

SPARE PARTS LIST

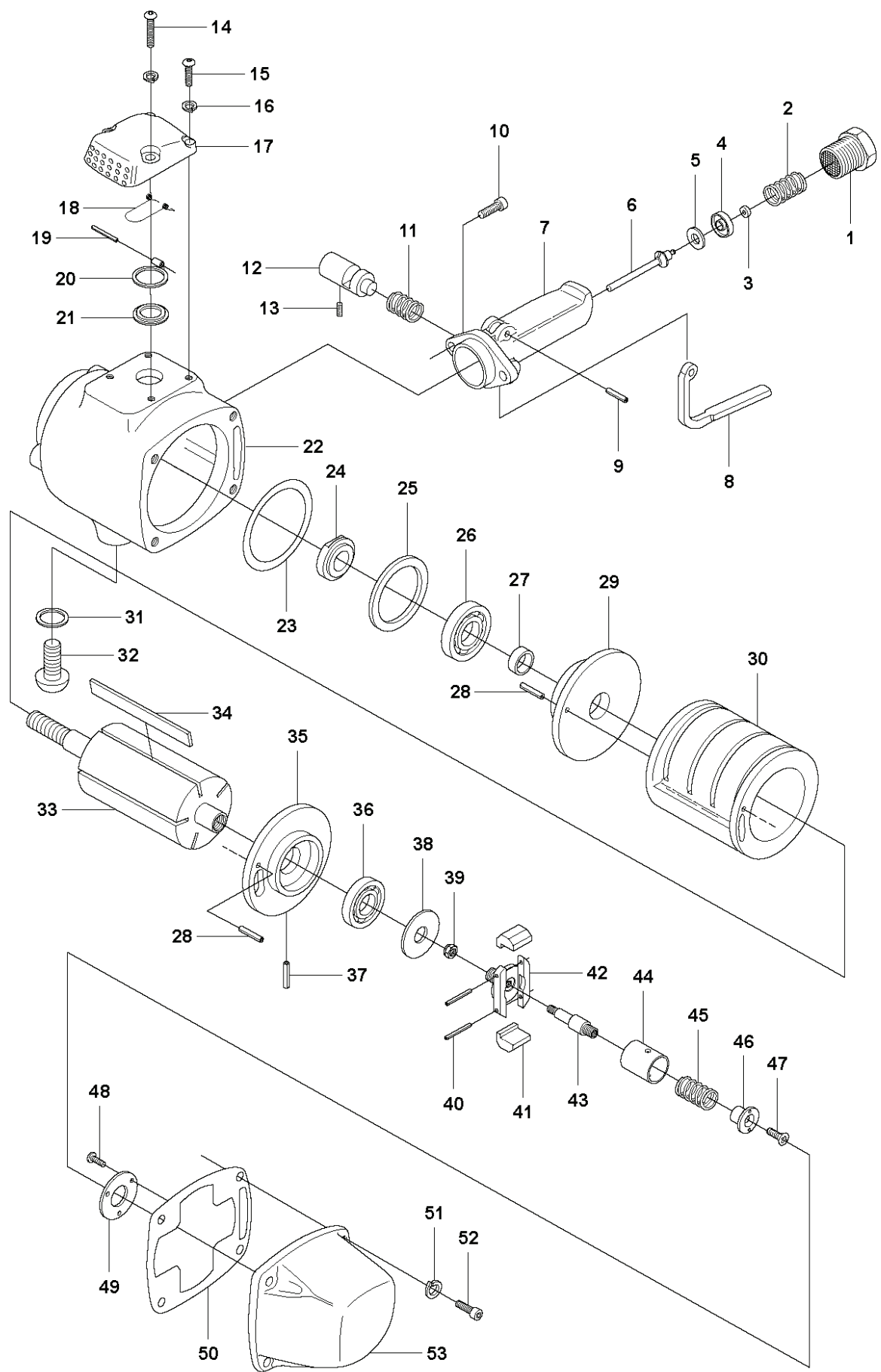
F K30/K40



Product		A (mm)	B (mm)	C (mm)
K30	12"	270	45	210
K40	14"	240	45	300

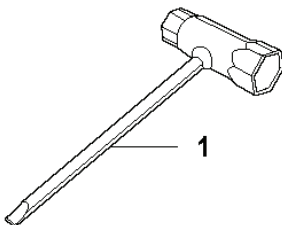
REF.	PART NO.	DESCRIPTION	REMARK	QTY.	KIT
1	506328903	HOSE KIT	Incl. 2 - 13	1	
2	506329021	VALVE ASSY		1	
3	506295702	NIPPLE		1	
4	506095602	HOSE CLAMP		2	
5	506097502	HOSE	L=230mm	1	
6	506311731	VALVE ASSY	Incl. 7	1	
7	503210619	SCREW IHSCT		2	
8	506298801	FILTER		1	
9	503263021	O-RING		1	
10	506328701	Y-TUBE		1	
11	506295601	NIPPLE		2	
12	506095824	HOSE		1	
13	503266002	COUPLER		1	

E K30/K40



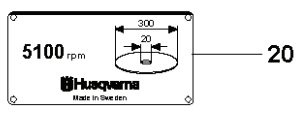
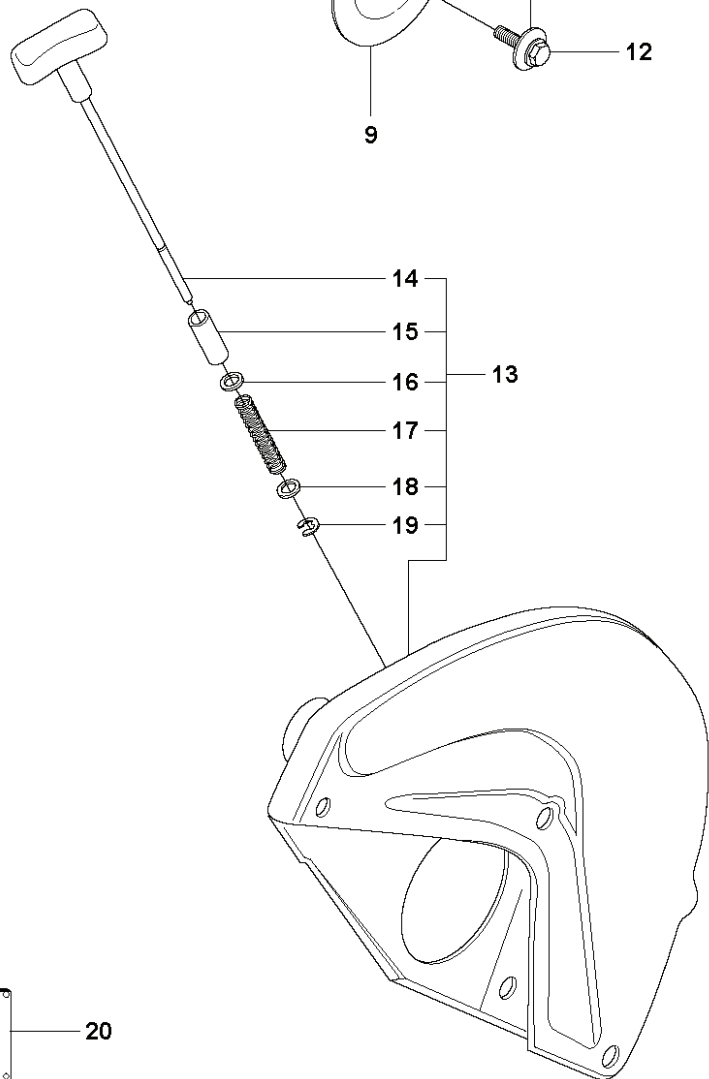
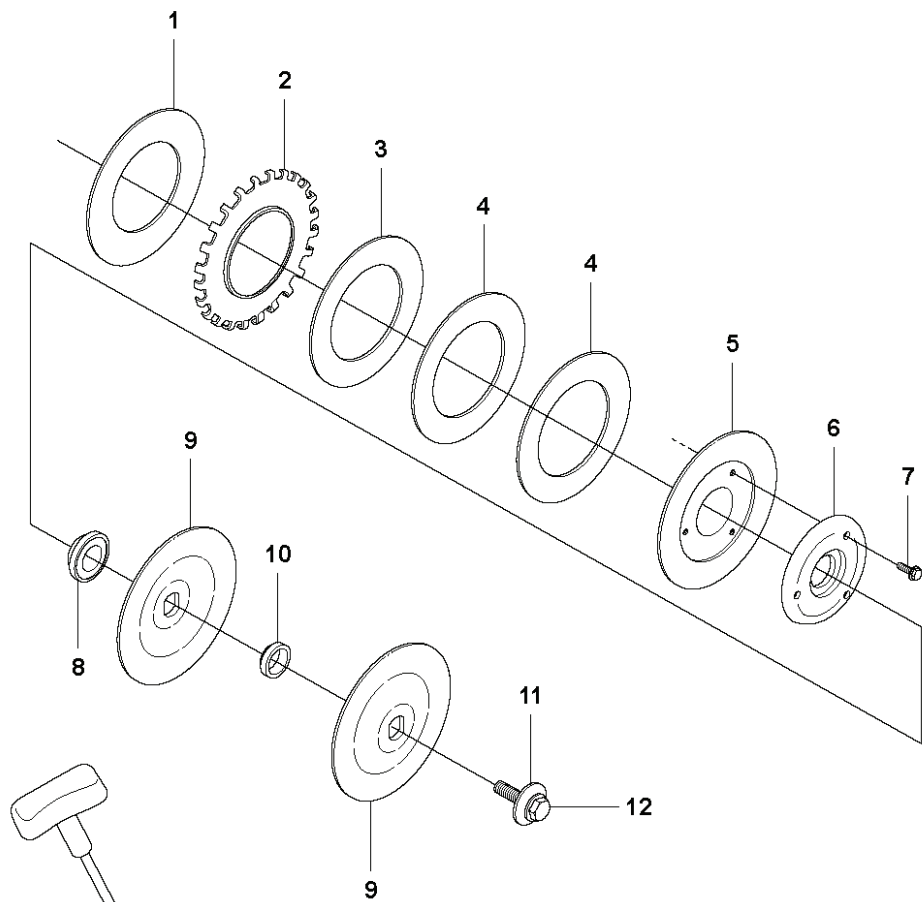
REF.	PART NO.	DESCRIPTION	REMARK	QTY.	KIT
1	506190601	FITTING		1	
2	506192901	SPRING		1	
3	506194101	THROTTLE VALVE		1	
4	506192701	WASHER		1	
5	506192601	VALVE		1	
6	506192801	SHAFT		1	
7	506190801	HANDLE		1	
8	506191801	LEVER		1	
9	506195801	PIN RETAINING SCREW		1	
10	725537255	SCREW IHSCM		2	
11	506194001	SPRING		1	
12	506193901	KNOB		1	
13	506196501	SCREW		1	
14	725529905	SCREW IHSCM		2	
15	725529555	SCREW IHSCM		2	
16	735213601	LOCKWASHER		4	
17	506195101	COVER	K40	1	
18	506195301	SPRING		1	
19	506196001	PIN RETAINING SCREW		1	
20	506195401	HOLDER		1	
21	506195201	VALVE		1	
22	506194201	HOUSING	K40	1	
23	506194901	ADJUSTING WASHER		1	
24	506194701	ROTOR NUT		1	
25	506195701	BEARING		1	
26	506191501	BALL BEARING		1	
27	506194801	ADJUSTING SLEEVE		1	
28	506196101	PIN RETAINING SCREW		2	
29	506194601	BEARING HOUSING		1	
30	506194411	CYLINDER	K30	1	
30	506194401	AIR CLEANER	K40	1	
31	506195501	SPRING		1	
32	506196301	SCREW		1	
33	506194311	ROTOR	K30	1	
33	506194301	ROTOR	K40	1	
34	506191611	ROTOR	K30	5	
34	506191602	ROTOR BLADE SET	K40	5	
35	506194501	BEARING HOUSING		1	
36	503250002	BALL BEARING		1	
37	506196201	PIN RETAINING SCREW		1	
38	506195001	WASHER		1	
39	731231405	HEXAGON NUT		1	
40	506195901	PIN RETAINING SCREW		2	
41	506193511	WEIGHT	K30	2	
41	506193501	REGULATOR WEIGHT	K40	2	
42	506193401	HOLDER		1	
43	506193701	SHAFT		1	
44	506193101	SLEEVE		1	
45	506193211	SPRING	K30	1	
45	506193201	SPRING	K40	1	
46	506193801	VALVE		1	
47	724329101	SCREW		1	
48	723128951	SCREW SLCHM		3	
49	506195601	WASHER		1	
50	506191301	GASKET		1	
51	735115350	SPRING WASHER		4	
52	725537055	SCREW IHSCM		4	
53	506191201	COVER		1	

G K30/K40



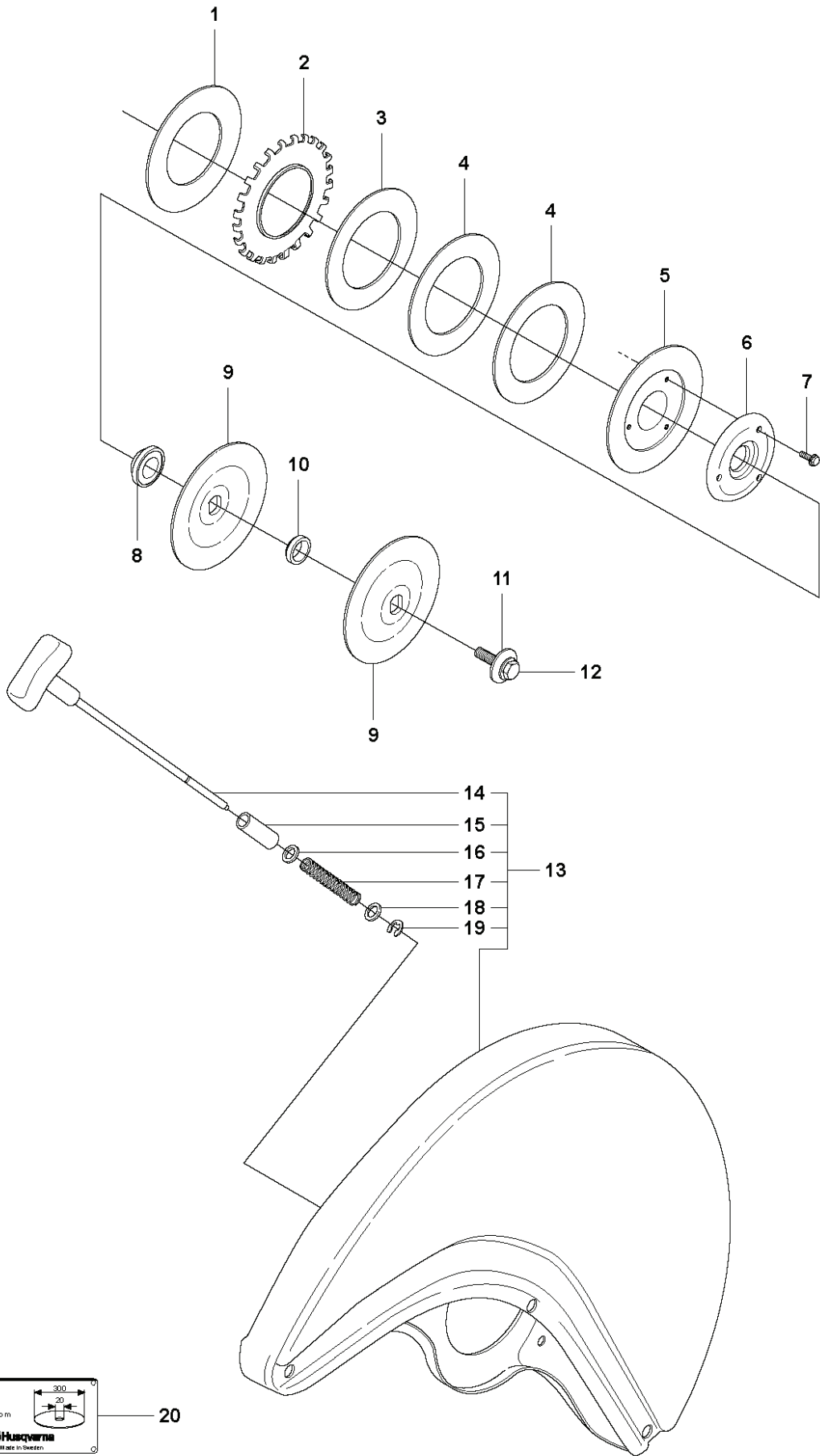
REF.	PART NO.	DESCRIPTION	REMARK	QTY.	KIT
1	501691702	COMBINATION WRENCH		1	

C K30/K40



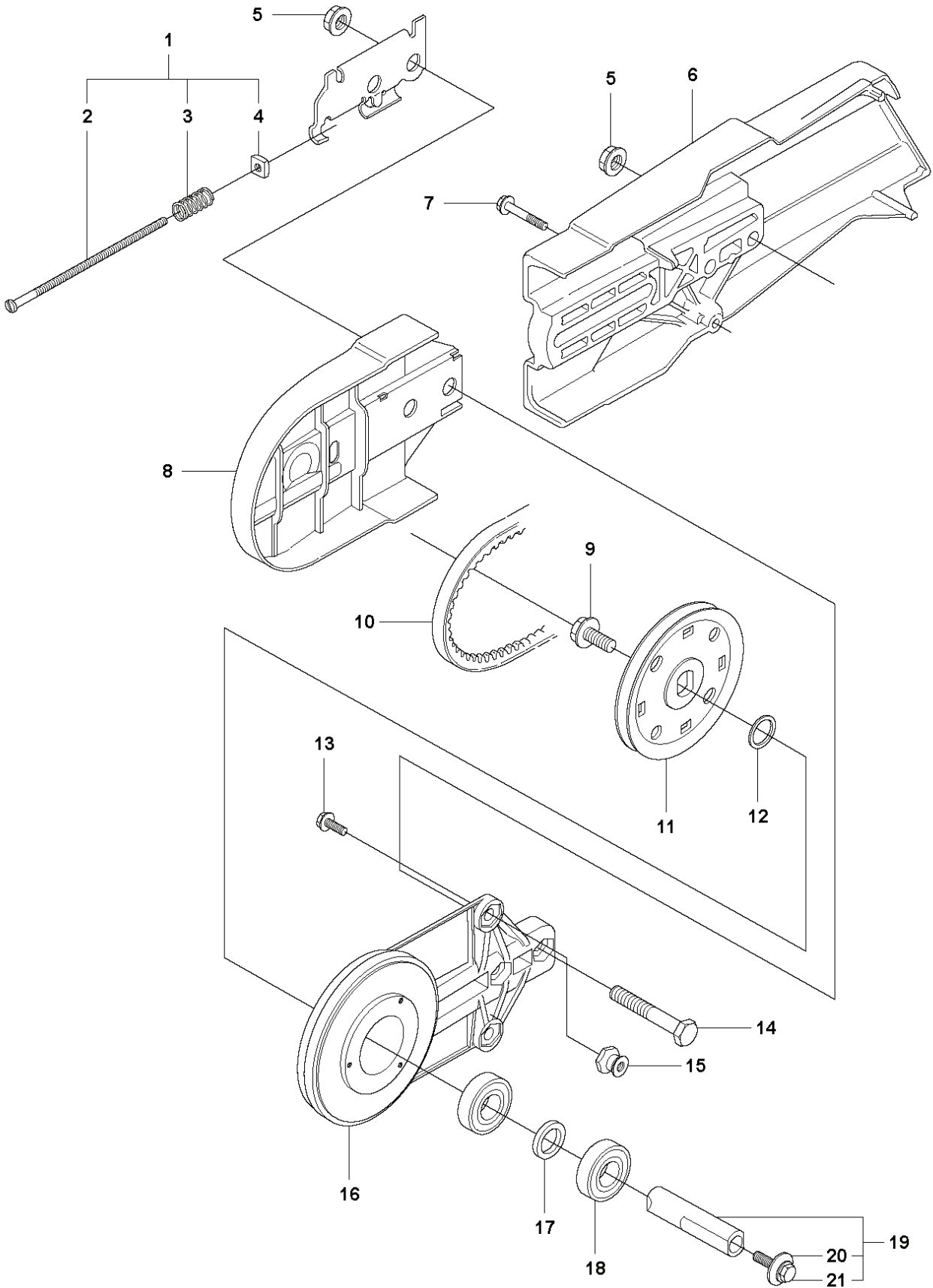
REF.	PART NO.	DESCRIPTION	REMARK	QTY.	KIT
1	506036201	WASHER		1	
2	506028401	LOCKWASHER		1	
3	506036202	INTERLAYER		1	
4	506036204	INTERLAYER		2	
5	506034501	SPRING WASHER		1	
6	506267501	GROMMET		1	
7	503200003	SCREW		3	
8	506070701	SUPPORT FLANGE		1	
9	506028701	FLANGE WASHER		2	
10	506028830	BUSHING	Diam 30,5mm	1	
10	506379620	KIT	Diam 20mm	1	
10	506379622	BUSHING	Diam 22,2mm	1	
10	506379625	KIT	Diam 25mm	1	
11	506139511	WASHER		1	
12	506139601	SCREW EHHFM		1	
13	506142711	WHEEL GUARD ASSY	Incl. 14 - 19	1	
14	506029801	SPAK D300 SVART		1	
15	506029501	HOSE		1	
16	503230005	WASHER		1	
17	506029601	SPRING		1	
18	506212101	WASHER		1	
19	735310920	E-CLIP		1	
20	506284102	LABEL		1	

B K30/K40



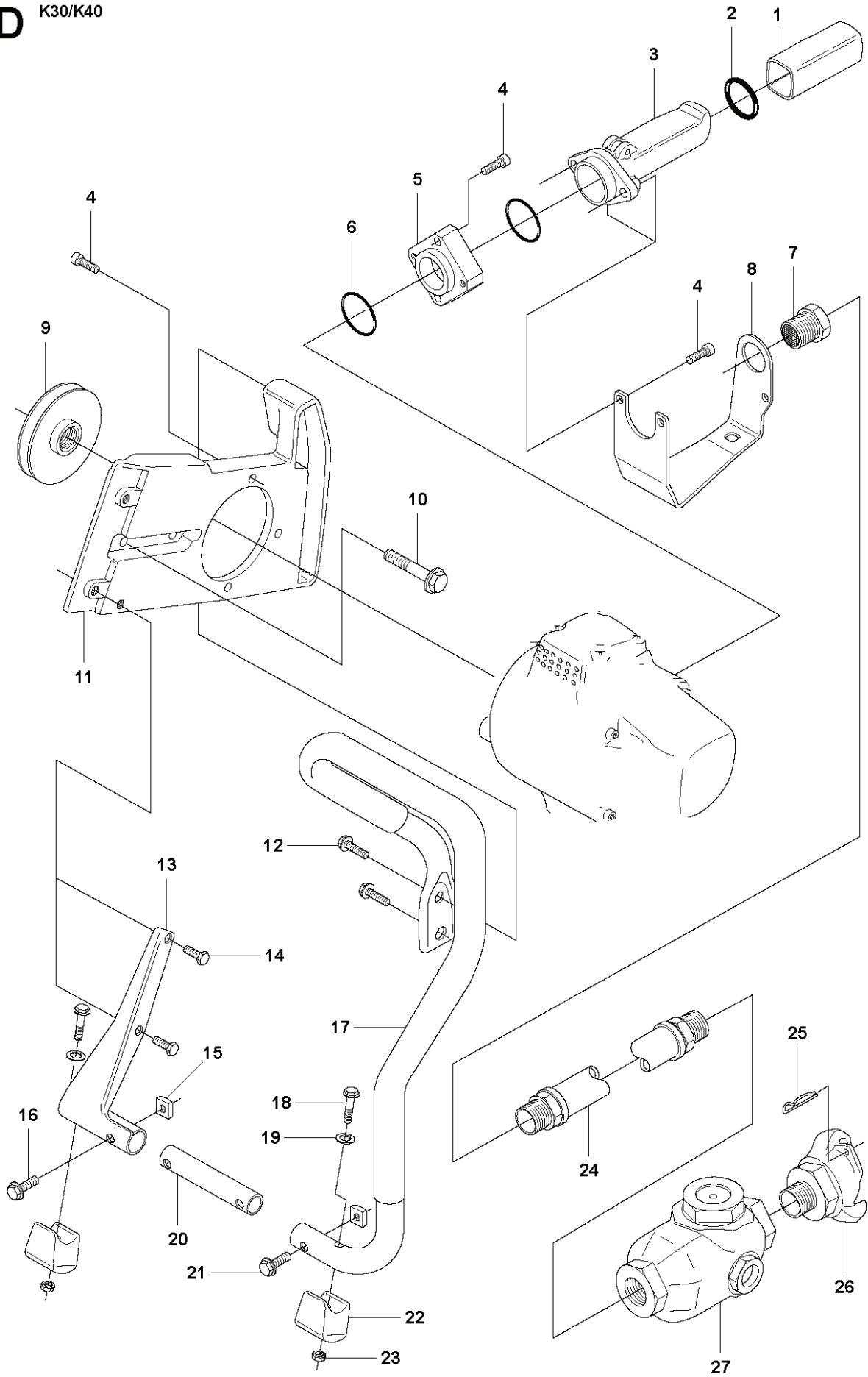
REF.	PART NO.	DESCRIPTION	REMARK	QTY.	KIT
1	506036201	WASHER		1	
2	506028401	LOCKWASHER		1	
3	506036202	INTERLAYER		1	
4	506036204	INTERLAYER		2	
5	506034501	SPRING WASHER		1	
6	506267501	GROMMET		1	
7	503200003	SCREW		3	
8	506070701	SUPPORT FLANGE		1	
9	506070901	FLANGE WASHER		2	
10	506028830	BUSHING	Diam 30,5mm	1	
10	506379620	KIT	Diam 20mm	1	
10	506379622	BUSHING	Diam 22,2mm	1	
10	506379625	KIT	Diam 25mm	1	
11	506139511	WASHER		1	
12	506139601	SCREW EHHFM		1	
13	506139011	WHEEL GUARD	Incl. 14 - 19	1	
14	506029804	SPAK D350 SVART		1	
15	506029503	HOSE		1	
16	503230005	WASHER		1	
17	506029601	SPRING		1	
18	506212101	WASHER		1	
19	735310920	E-CLIP		1	
20	506284114	LABEL		1	

A K30/K40



REF.	PART NO.	DESCRIPTION	REMARK	QTY.	KIT
1	506030602	BELT TENSIONER ASSY	Incl. 2, 3, 4	1	
2	503203009	SCREW SLCHM		1	
3	506219501	COMPRESSION SPRING		1	
4	503226601	SQUARE NUT		1	
5	503220001	HEXAGON NUT		4	
6	506029002	CUTTER ARM		1	
7	503200001	SCREW EHHFM		1	
8	506029211	BELT GUARD		1	
9	503200045	SCREW EHHFM		1	
10	506276744	BELT		1	
11	506030001	PULLEY		1	
12	503230104	WASHER		1	
13	503200004	SCREW EHHFM		1	
14	506033202	SCREW		2	
15	506143201	NUT CAP		1	
16	506029111	HOUSING		1	
17	506028601	SPACING SLEEVE		1	
18	503252101	BALL BEARING		2	
19	506298363	SHAFT	Incl. 20, 21	1	
20	506139511	WASHER		1	
21	581855201	SCREW		1	

D K30/K40



REF.	PART NO.	DESCRIPTION	REMARK	QTY.	KIT
1	506191701	GRIP		1	
2	503263016	O-RING		1	
3	506190801	HANDLE		1	
4	725537006	SCREW IHSCM		6	
5	506204101	MANIFOLD		1	
6	740482702	O-RING		2	
7	506190601	FITTING		1	
8	506234802	COVER		1	
9	506192202	GEAR WHEEL		1	
10	506033202	SCREW		2	
11	506192002	ENGINE PLATE		1	
12	503200004	SCREW EHHFM		2	
13	506144201	GROUND SUPPORT		1	
14	503200003	SCREW		2	
15	503226504	SQUARE NUT		2	
16	503200016	SCREW EHHFM		1	
17	506072605	FRONT HANDLE		1	
18	503200007	SCREW EHHFM		2	
19	503230035	WASHER		2	
20	506192302	SPACER		1	
21	503200005	SCREW EHHFM		1	
22	506144302	GROUND SUPPORT		2	
23	732211401	LOCK NUT		2	
24	506191001	HOSE		1	
25	721680151	SPRING COTTER		1	
26	506197201	KLOKOPPLING 1/2"		1	
27	506191101	OILER		1	