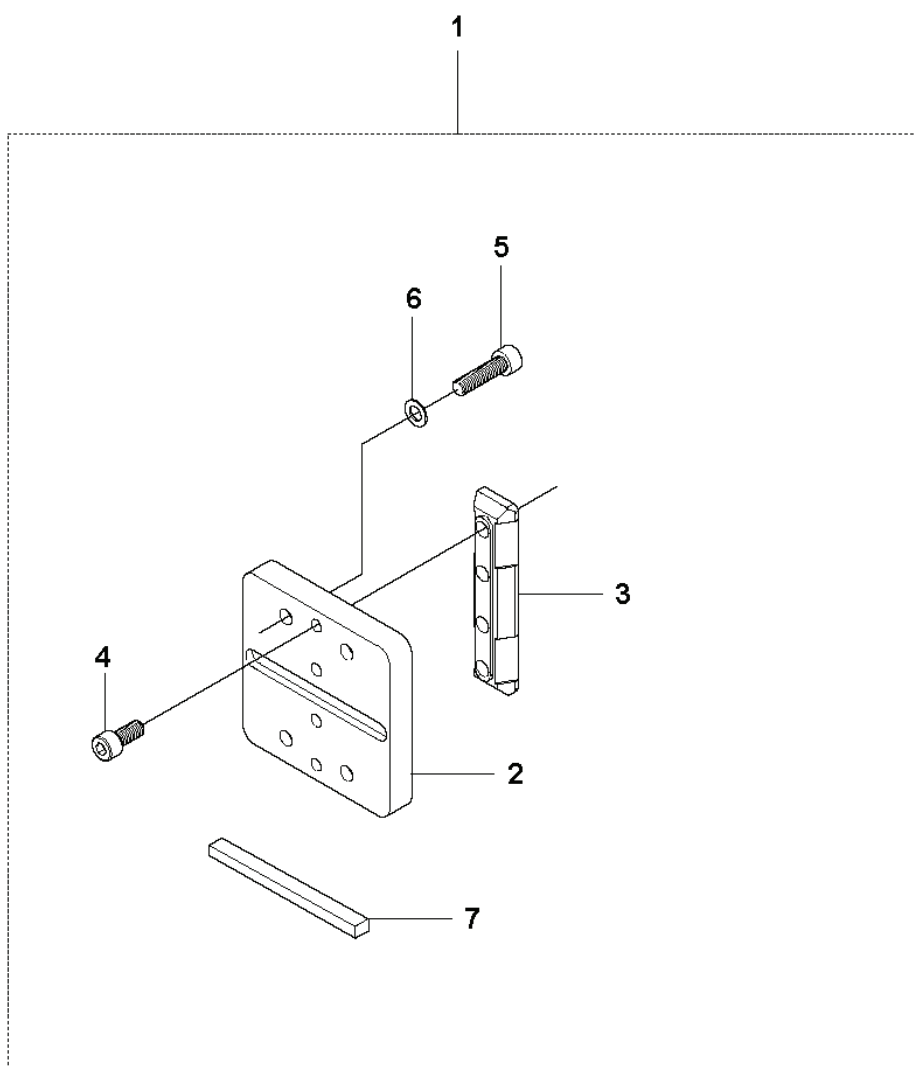


**DS50 Basic, 2008-05**

---

# **SPARE PARTS LIST**

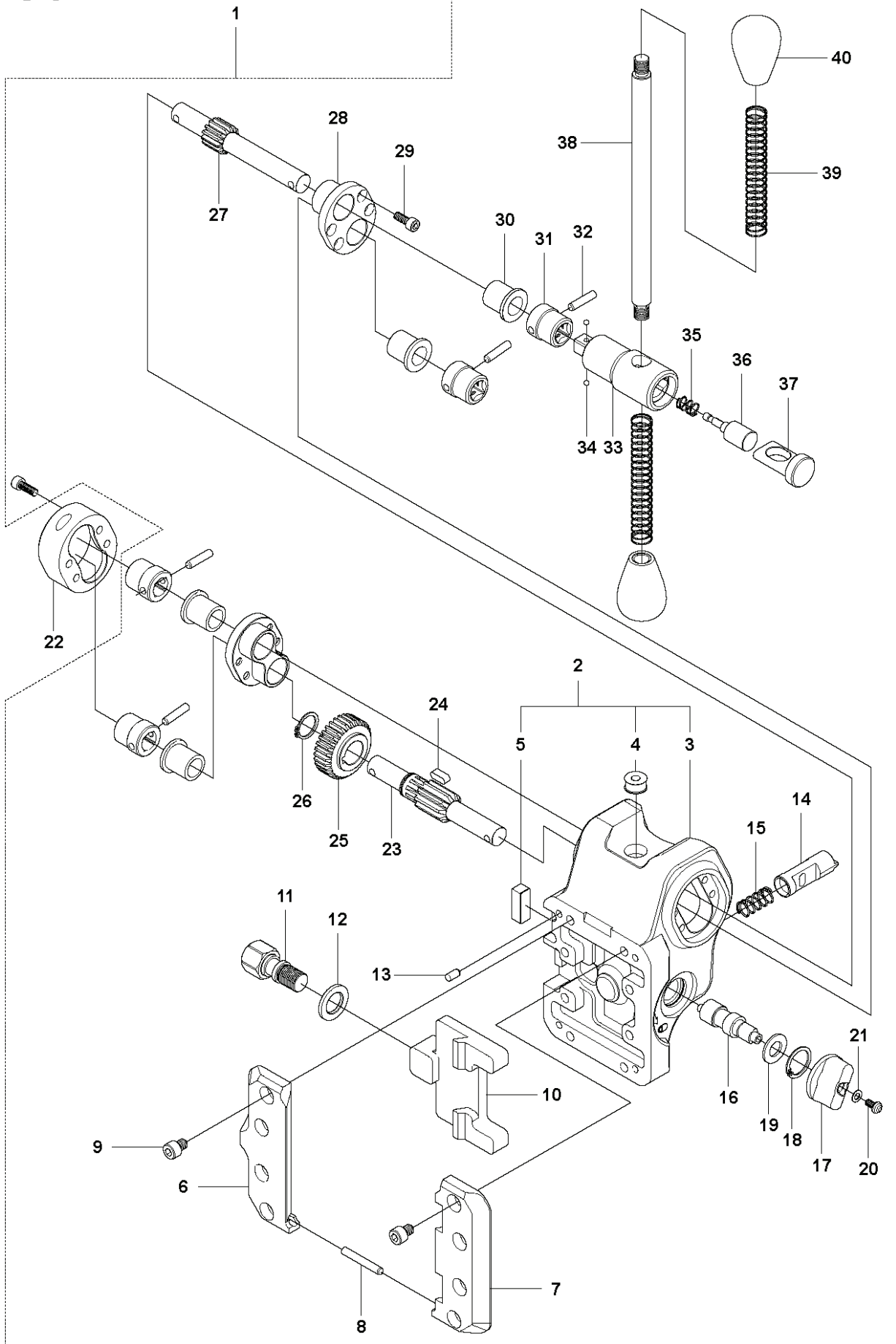
**B** DS50 BASIC/COMBI



---

REF.	PART NO.	DESCRIPTION	REMARK	QTY.	KIT
1	506400807	BRACKET	Incl. 2-6	1	
2	504719201	BRACKET		1	
3	504908333	WEDGE		1	
4	504696301	SCREW		4	
5	531140659	SCREW		4	
6	531140712	WASHER		4	
7	531140674	WEDGE		1	

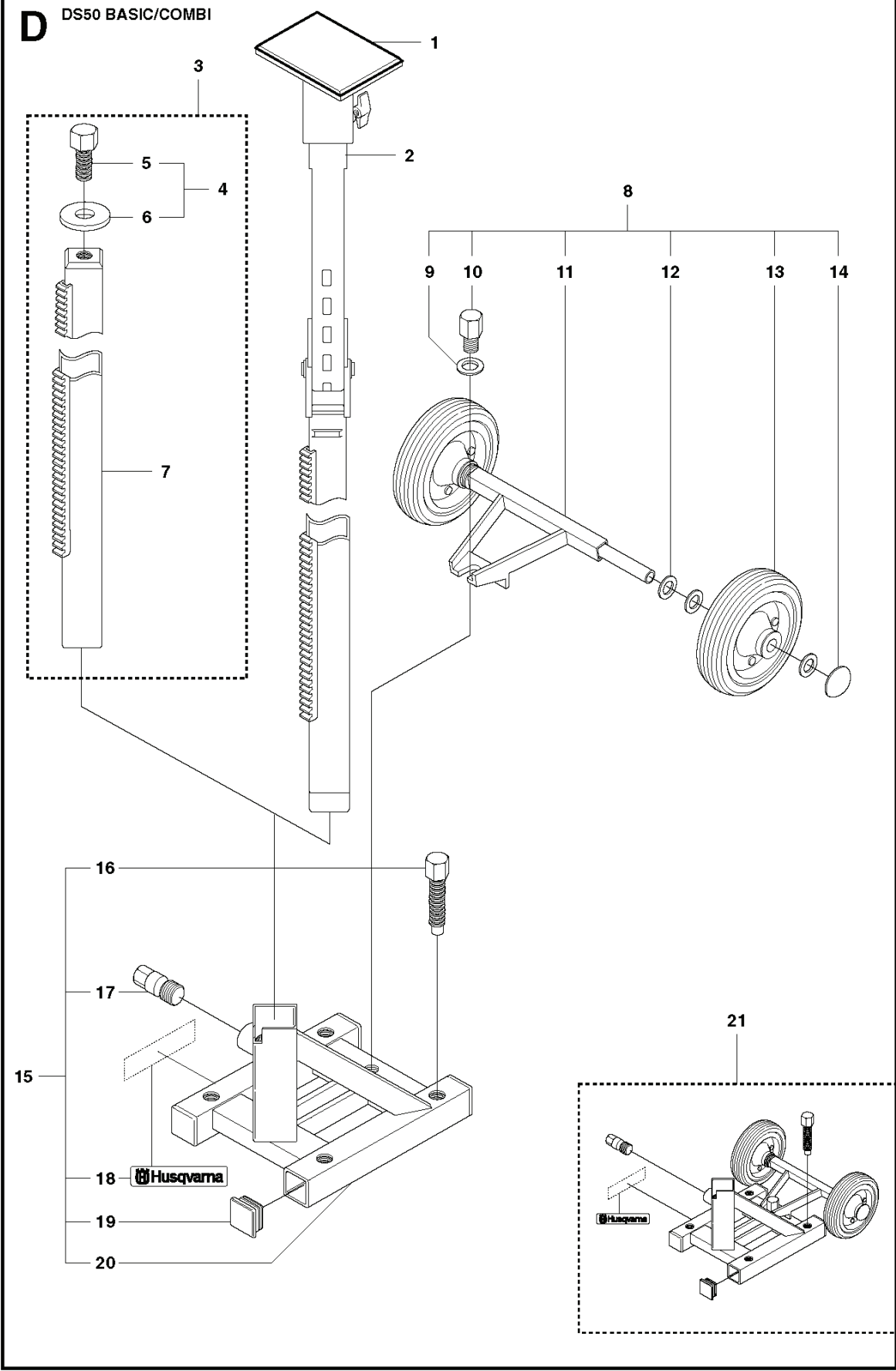
# C1 DS50 BASIC/COMBI



REF.	PART NO.	DESCRIPTION	REMARK	QTY.	KIT
1	505400301	CASE	Incl. 2, 6-41 and 2-11 on Page C2	1	
2	505400310	SHREDDER CASE	Incl. 3-5	1	
3	505400307	CASE		1	
4	531140897	LEVEL		1	
5	531140898	LEVEL		1	
6	504908322	CASE		1	
7	504908321	CASE		1	
8	504908323	PIN		1	
9	504908324	CASE		8	
10	504908325	CASE		1	
11	504903601	SCREW		1	
12	504711901	WASHER		1	
13	504908326	PIN		1	
14	504711802	SHAFT		1	
15	504500308	TBD		1	
16	504500309	TBD		1	
17	504908317	CASE		1	
18	504908316	CASE		1	
19	504908315	CASE		1	
20	504908319	CASE		1	
21	504908318	CASE		1	
22	504908337	SHREDDER CASE	Fitting of Autofeed, not included	0	
23	504904901	GEAR WHEEL SHAFT		1	
24	504908336	CASE		1	
25	504600601	GEAR WHEEL		1	
26	504908335	CASE		1	
27	504600602	GEAR WHEEL		1	
28	504908307	CASE		2	
29	504908312	SHREDDER CASE		8	
30	504908308	CASE		4	
31	504908309	CASE		4	
32	504908310	CASE		4	
33	505400303	SHREDDER CASE		1	
34	504908305	CASE		2	
35	504908304	SHREDDER CASE		1	
36	505400304	SHREDDER CASE		1	
37	505400305	BUTTON		1	
38	531140682	HANDLE		1	
39	531140673	SPRING		2	
40	531140672	GRIP		2	

**D**

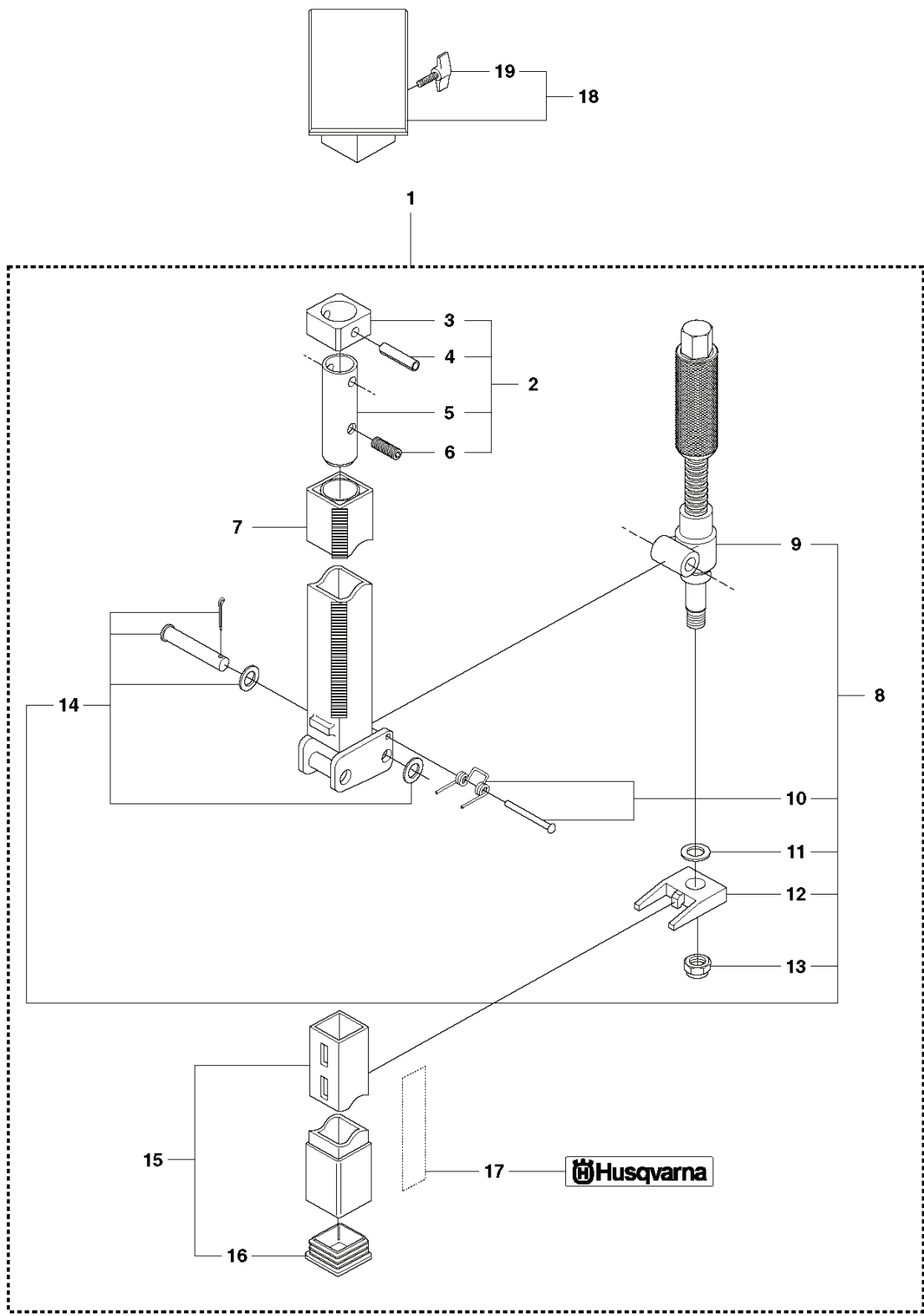
DS50 BASIC/COMBI



REF.	PART NO.	DESCRIPTION	REMARK	QTY.	KIT
1	506408406	PLATE	SEE ALSO PAGE A	1	
2	506408305	PIPE	SEE ALSO PAGE A	1	
3	506408809	DRILL	Incl. 4, 7	1	
4	504048101	STOP	Incl. 5, 6	1	
5	504048401	STOP		1	
6	504048201	STOP WASHER		1	
7	544030101	COLUMN		1	
8	506407609	RETAINER	Incl. 9-14	1	
9	531140722	WASHER		1	
10	531140723	SCREW		1	
11	504020602	SHAFT		1	
12	531140627	WASHER		6	
13	531140728	WHEEL		2	
14	531140730	PLATE		2	
15	506407913	PLATE	Incl. 16-20	1	
16	531140618	SCREW		4	
17	544069701	SCREW		1	
18	504021002	DECAL		1	
19	531140620	PLUG		4	
20	504030403	PLATE		1	
21	506408014	PLATE		1	



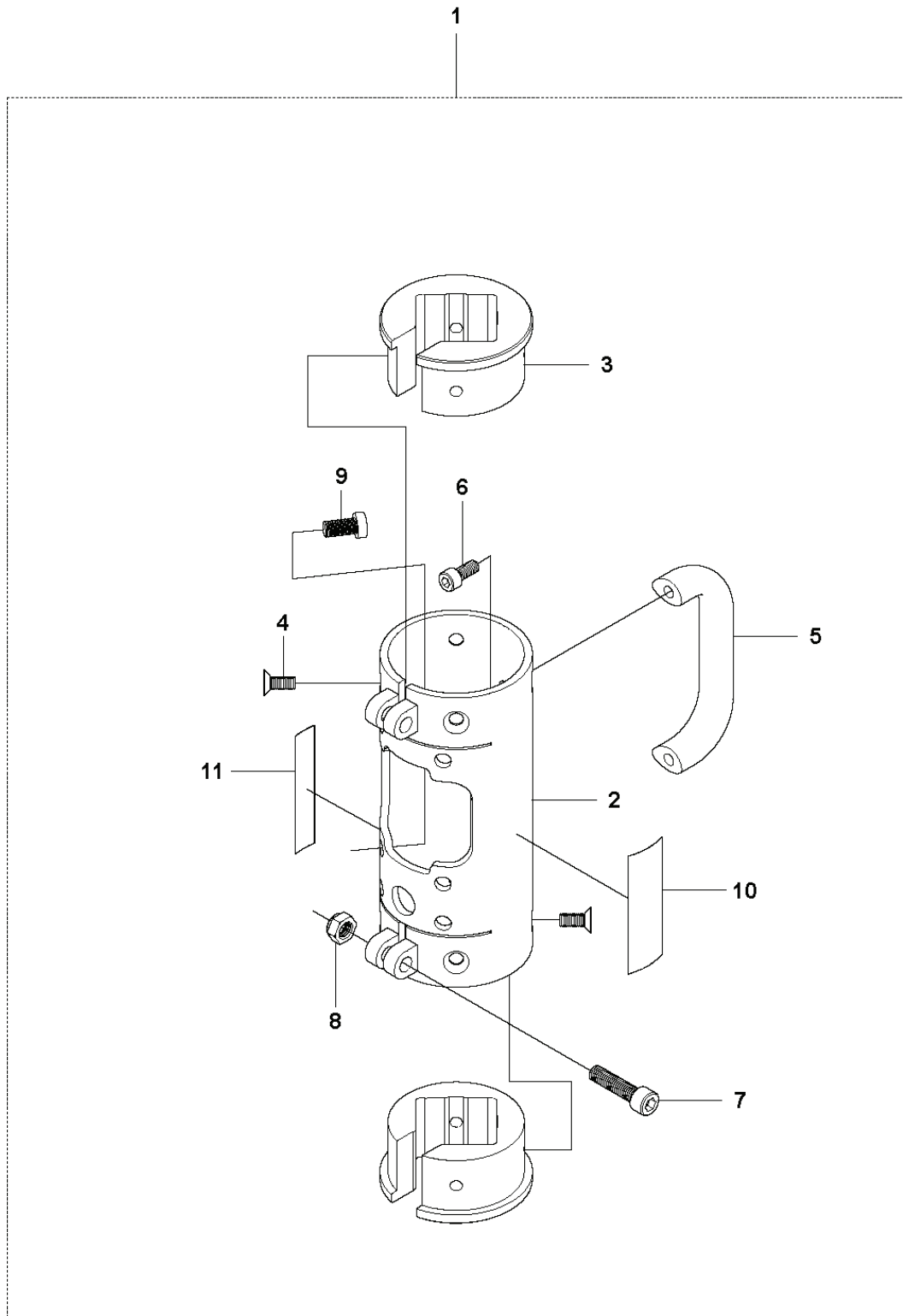
**A** DS50 BASIC/COMBI



---

REF.	PART NO.	DESCRIPTION	REMARK	QTY.	KIT
1	506408305	PIPE	Incl. 2, 7, 8, 15, 17	1	
2	506408201	SLEEVE	Incl. 3-6	1	
3	531140753	STOP SLEEVE		1	
4	531140605	PEN		1	
5	531140606	PEN		1	
6	531140607	STOP SCREW		1	
7	506400401	PIPE		1	
8	588019501	ADJUSTMENT SCREW	Incl. 9-14	1	
9	588019501	ADJUSTMENT SCREW	Incl. 9-14	1	
10	506401402	BOLT		1	
11	531140613	WASHER		1	
12	531140616	FORK		1	
13	531140614	NUT		1	
14	506401401	BOLT		1	
15	506400501	PIPE	Incl. 16	1	
16	531140620	PLUG		1	
17	504021002	DECAL		1	
18	506408406	PLATE	Incl. 19	1	
19	531140602	SCREW		1	

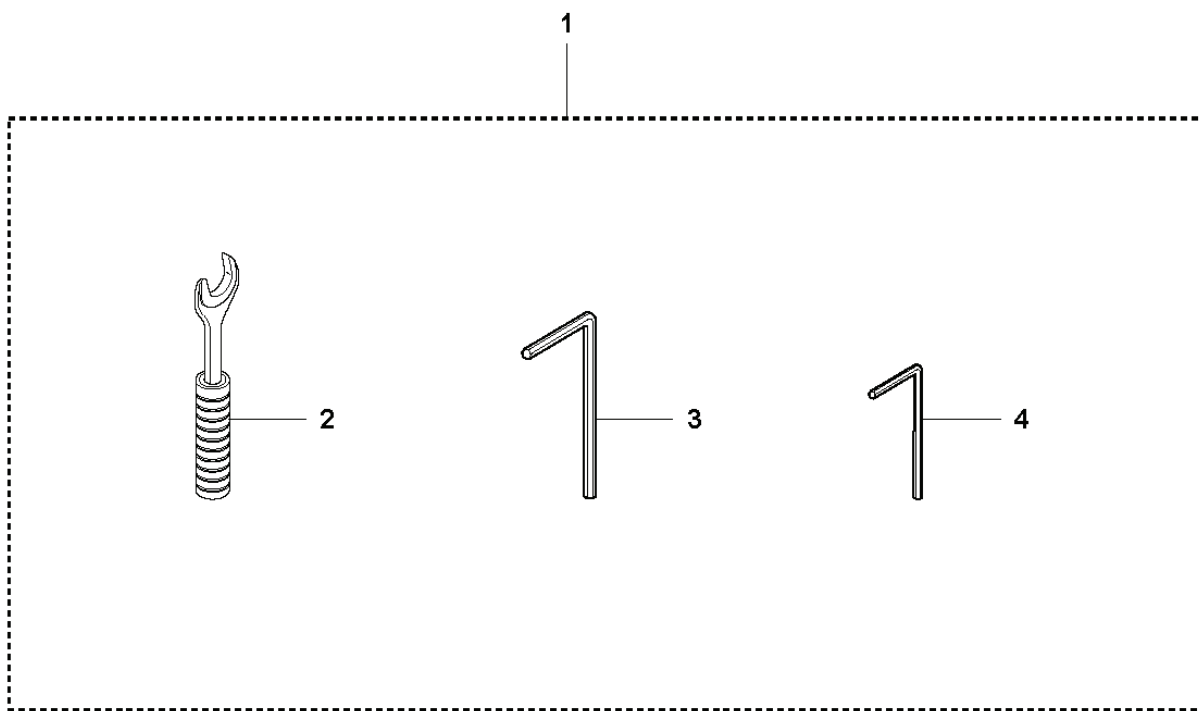
# C2 DS50 BASIC/COMBI



---

REF.	PART NO.	DESCRIPTION	REMARK	QTY.	KIT
1	505400301	CASE	Incl. 2-11 and 2,6-41 on Page C1	1	
2	505400311	CASE		1	
3	531140882	BUSHING		2	
4	531140658	SCREW		8	
5	505400312	CASE		1	
6	531140685	SCREW		2	
7	531140686	SCREW		2	
8	531140630	NUT		2	
9	504908304	SHREDDER CASE		6	
10	544128502	LABEL		1	
11	504021001	DECAL		1	

**E** DS50 BASIC/COMBI  
TOOLKIT



---

REF.	PART NO.	DESCRIPTION	REMARK	QTY.	KIT
1	506408602	TOOL KIT	Incl. 2-4	1	
2	544222702	SPANNER		1	
3	531140762	HEX KEY		1	
4	544279801	HEX KEY		1	