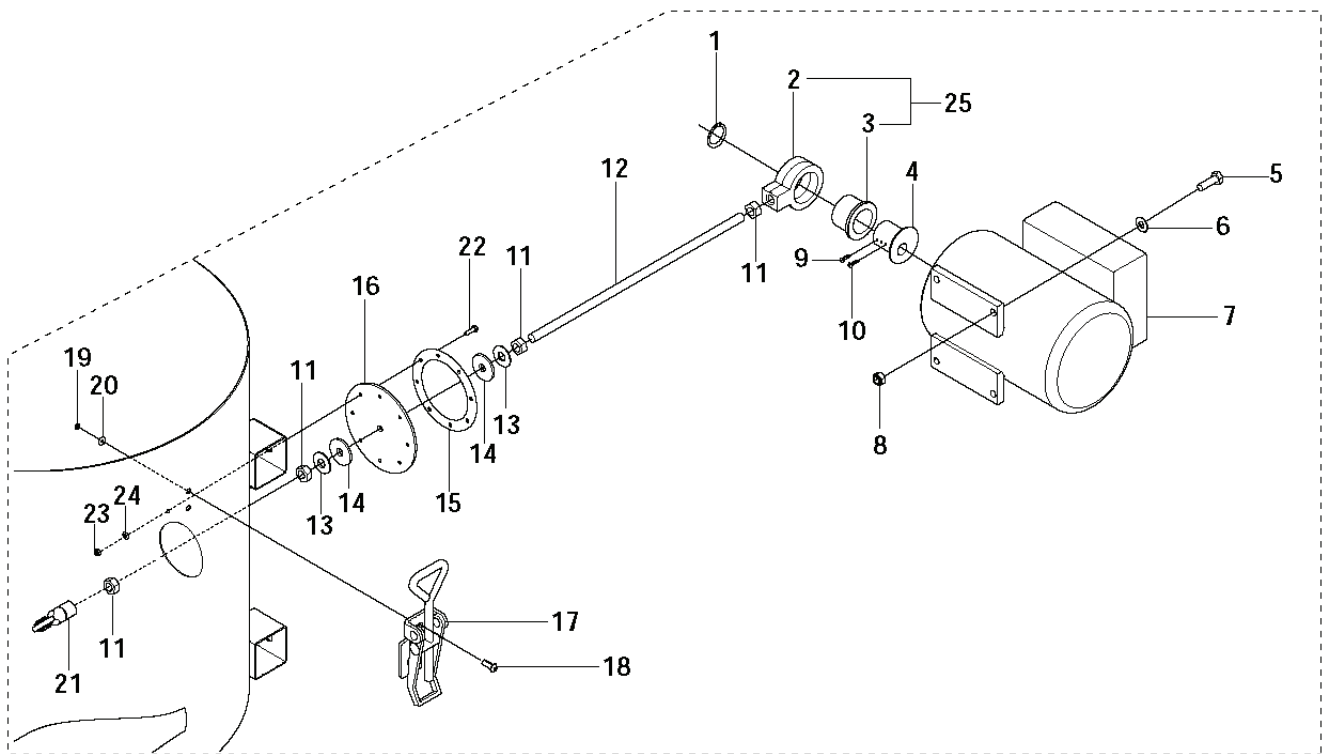
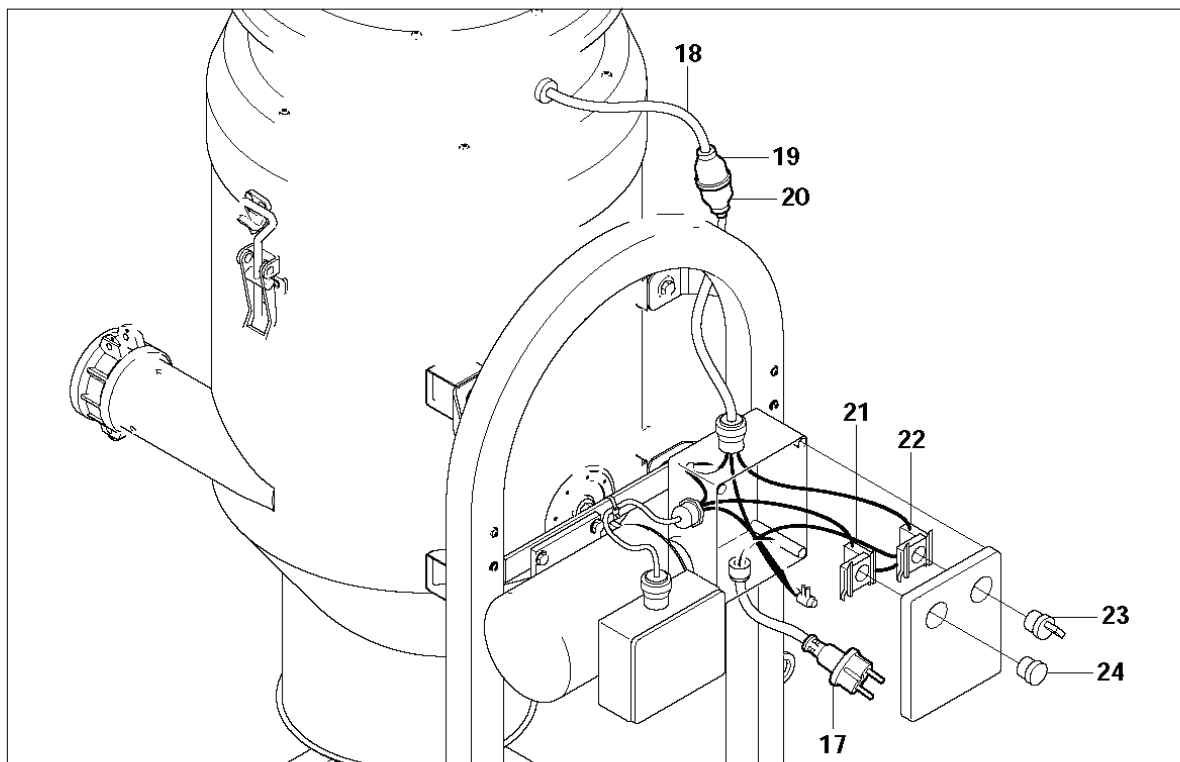
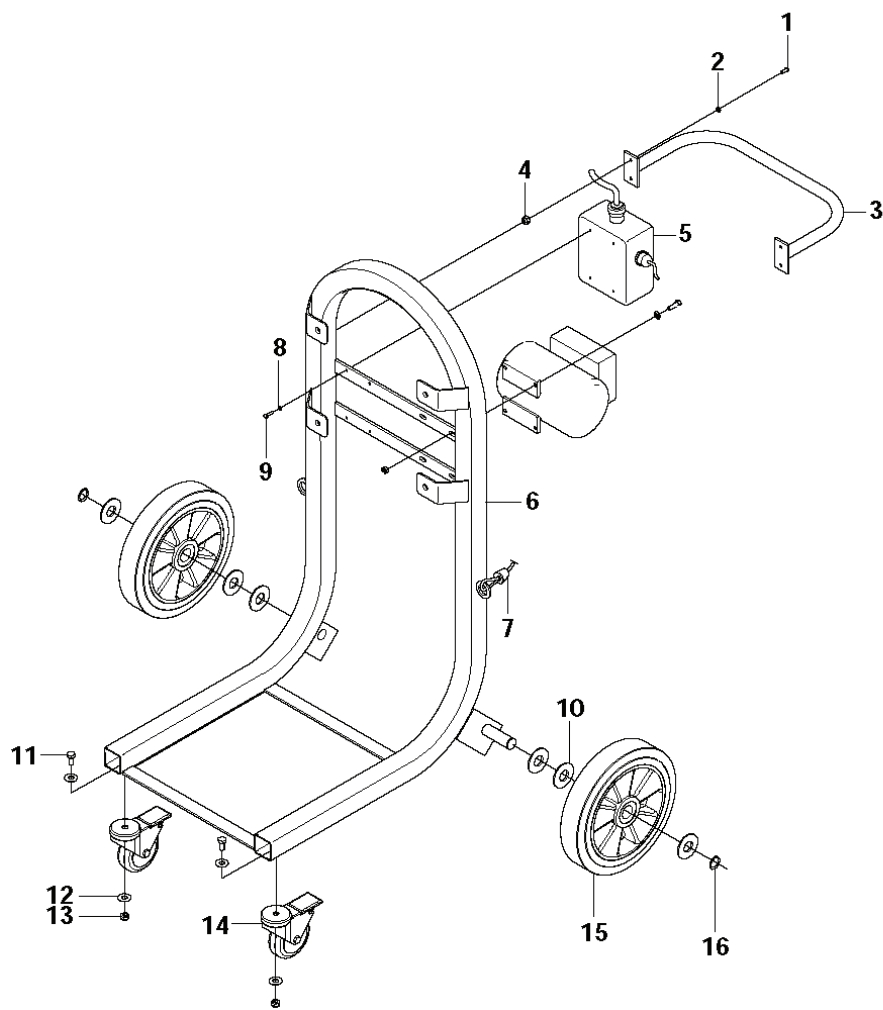


DC 3300, 0109-6, 2008-10

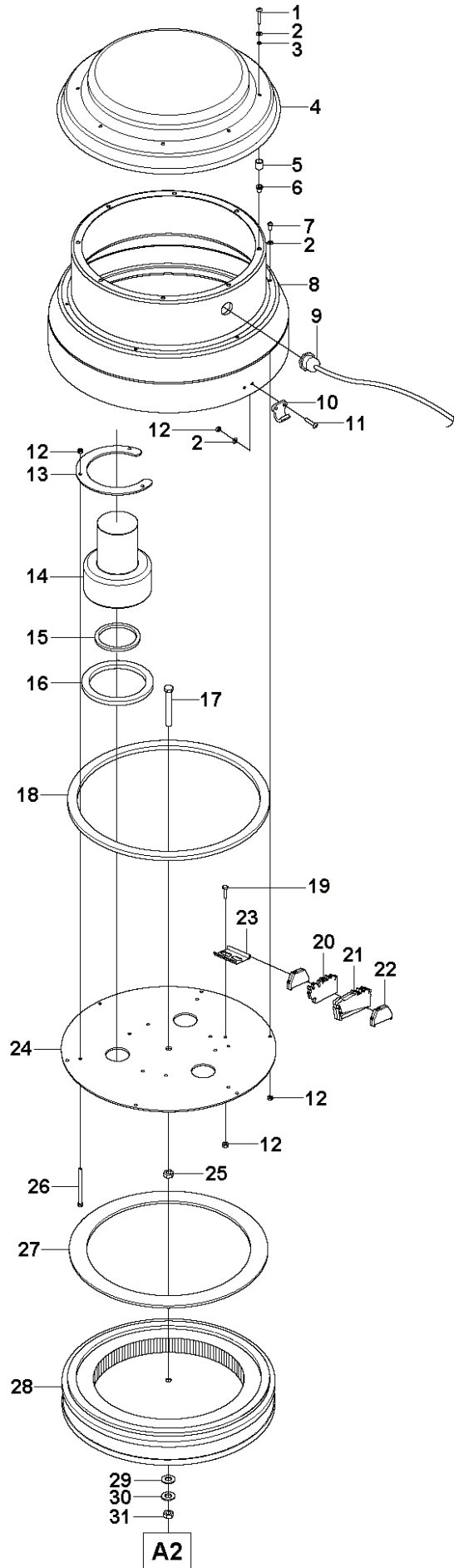
SPARE PARTS LIST



REF.	PART NO.	DESCRIPTION	REMARK	QTY.	KIT
1	735313000	CIRCLIP		1	
2	502571801	COUPLING		1	25
3	502571901	BUSHING		1	25
4	502571701	BOSS		1	
5	725245376	SCREW EHHM		4	
6	734116301	WASHER		4	
7	502570601	ELECTRIC MOTOR		1	
8	732251801	HEXAGON LOCKING NUT		4	
9	728532701	SCREW IHSETM		1	
10	728532901	SCREW IHSETM		2	
11	731232001	HEXAGON NUT		4	
12	502571501	ROD		1	
13	734117201	WASHER		2	
14	516060101	WASHER		2	
15	502571401	RING		1	
16	502571301	DIAPHRAGM		1	
17	502570002	LATCH		2	
18	541405178	SCREW IH PANM		4	
19	732251601	HEXAGON LOCKING NUT		4	
20	734115201	WASHER		4	
21	502571601	ROD END		1	
22	725232901	TBD		8	
23	732251401	HEXAGON LOCKING NUT		8	
24	734114601	WASHER		8	
25	504730602	BUSH		1	

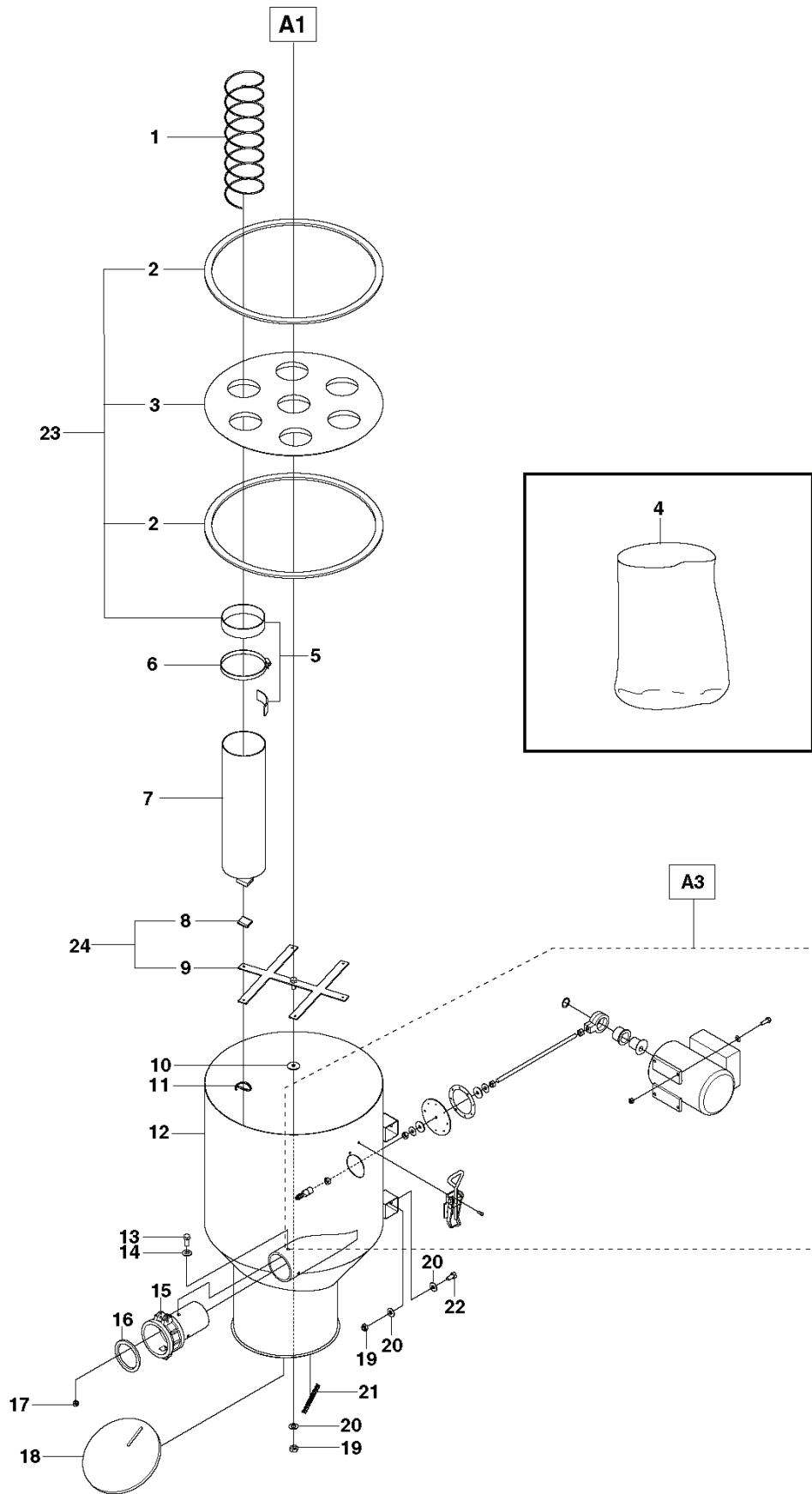


REF.	PART NO.	DESCRIPTION	REMARK	QTY.	KIT
1	522747801	SCREW		4	
2	734115401	WASHER		4	
3	502572701	HANDLEBAR ASSY		1	
4	521886601	RIVET		8	
5	522747901	BOX		1	
6	502572601	CHASSIS		1	
7	502570201	STRAP		1	
8	734113671	WASHER		8	
9	725229901	TBD		4	
10	504751401	WASHER		4	
11	725254071	SCREW EHHM		2	
12	734117801	WASHER		4	
13	732252201	HEXAGON LOCKING NUT		2	
14	502569101	WHEEL		2	
15	502545001	WHEEL		2	
16	735312600	CIRCLIP		2	
17a	504753801	PLUG	MALE PLUG AU 220-240V	1	
17b	510222802	CABLE	MALE PLUG EU / JPN 2PIN 16AMP 220V Molded	1	
17c	522786101	PLUG	MALE PLUG CAN / TWIST LOCK 220V	1	
18	504755701	POWER CABLE		3	
19	504756901	PLUG		1	
20	504756801	SOCKET		1	
21	504738901	BUTTON		1	
22	504738701	BUTTON		1	
23	504738601	SWITCH		1	
24	504738801	PUSH BUTTON		1	



REF.	PART NO.	DESCRIPTION	REMARK	QTY.	KIT
1	504759101	SCREW IH PANM		8	
2	734115201	WASHER		18	
3	740480602	O-RING		8	
4	502572001	COVER		1	
5	522746601	SPACING TUBE		8	
6	521886601	RIVET		8	
7	541405178	SCREW IH PANM		6	
8	502572003	MOTOR HOUSING		1	
9	522660301	GROMMET		1	
10	502570004	HOOK		2	
11	504759001	SCREW IH PANM		4	
12	732251601	HEXAGON LOCKING NUT		21	
13	502572501	BRACKET		3	
14	504756401	ELECTRIC BOX		3	
15	502534005	RUBBER RING		3	
16	522746701	SEAL		3	
17	725255071	SCREW EHHM		1	
18	502568701	SEAL		1	
19	725236671	SCREW EHHM		2	
20	502543801	TERMINAL BLOCK		1	
21	522746901	TERMINAL BLOCK		2	
22	504739901	CLAMP		2	
23	522747001	RAIL		1	
24	502572401	PLATE		1	
25	731232201	HEXAGON NUT		1	
26	725238851	SCREW EHHM		9	
27	522747101	SEAL		1	
28a	502573201	FILTER	DC 3300 - MICRO FILTER POLYESTER LARGE	1	
28b	502573101	FILTER	DC 3300 - MICRO FILTER POLYESTER SMALL	3	
29	516060101	WASHER		1	
30	734117801	WASHER		1	
31	732252201	HEXAGON LOCKING NUT		1	

A2



REF.	PART NO.	DESCRIPTION	REMARK	QTY.	KIT
1	522747201	SPRING		7	
2	504762201	SEAL		2	235
3	502572201	PLATE		1	235
4	502570101	BAGS		1	
5	522747401	SEAL		1	
6	522747501	HOSE CLAMP		7	
7	502573001	FILTER		7	
8	522747701	PROTECTION		7	24
9	502572201	PLATE		1	24
10	516060101	WASHER		1	
11	515987001	TIE WRAP		14	
12	502572101	CONE		1	
13	541404815	SCREW IH PANM		2	
14	734116301	WASHER		2	
15	502569604	COUPLING		1	
16	502534005	RUBBER RING		1	
17	732251801	HEXAGON LOCKING NUT		2	
18	502568405	SEAL		1	
19	732252001	HEXAGON LOCKING NUT		5	
20	734117201	WASHER		9	
21	502568404	SPRING		1	
22	725249171	SCREW EHHM		4	
23	504730902	PLATE		1	
24	504733502	RACK		1	