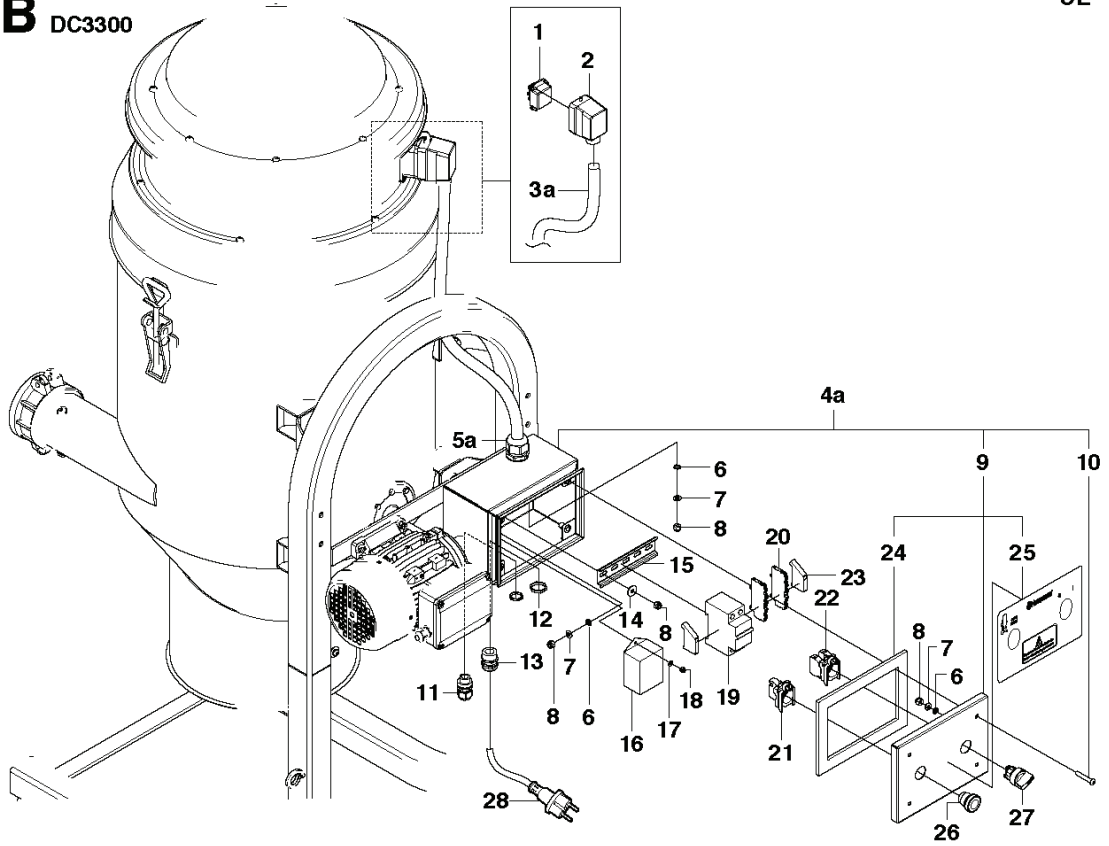


DC 3300, Machine 0909-1 and forward, 2009-

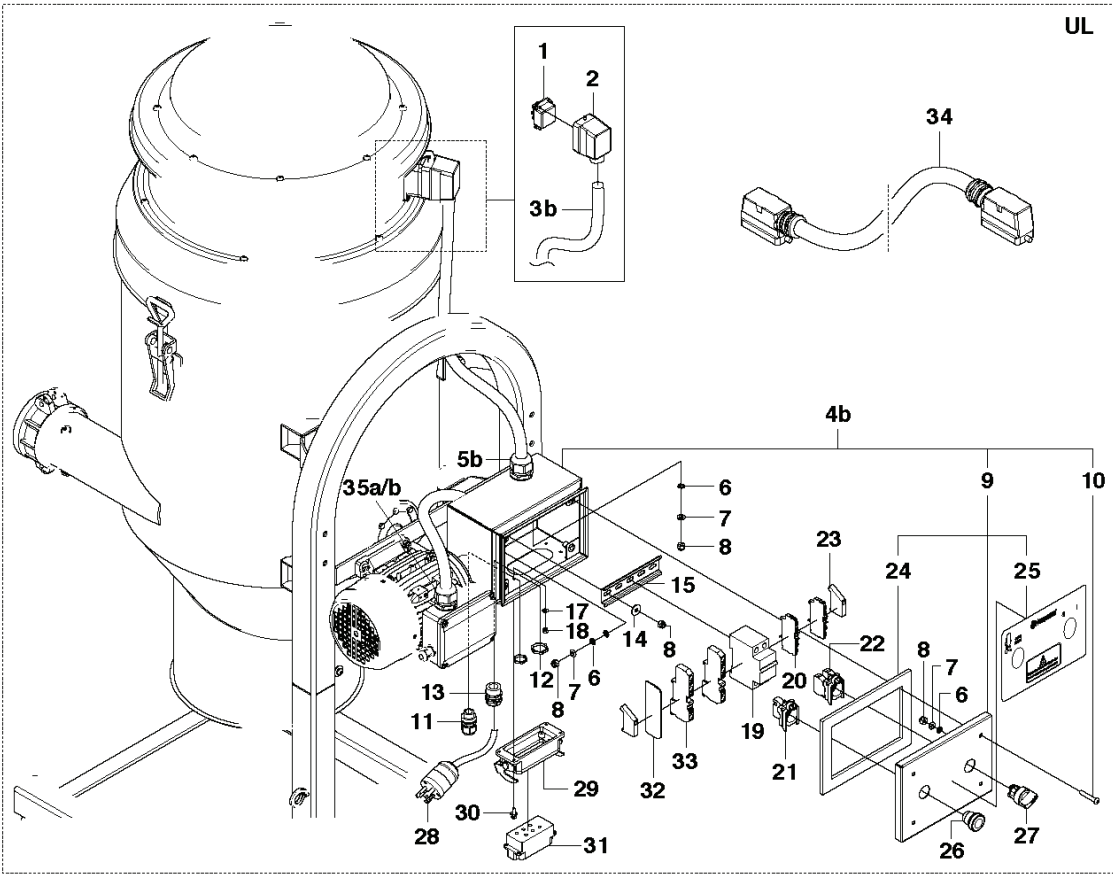
SPARE PARTS LIST

B DC3300

CE

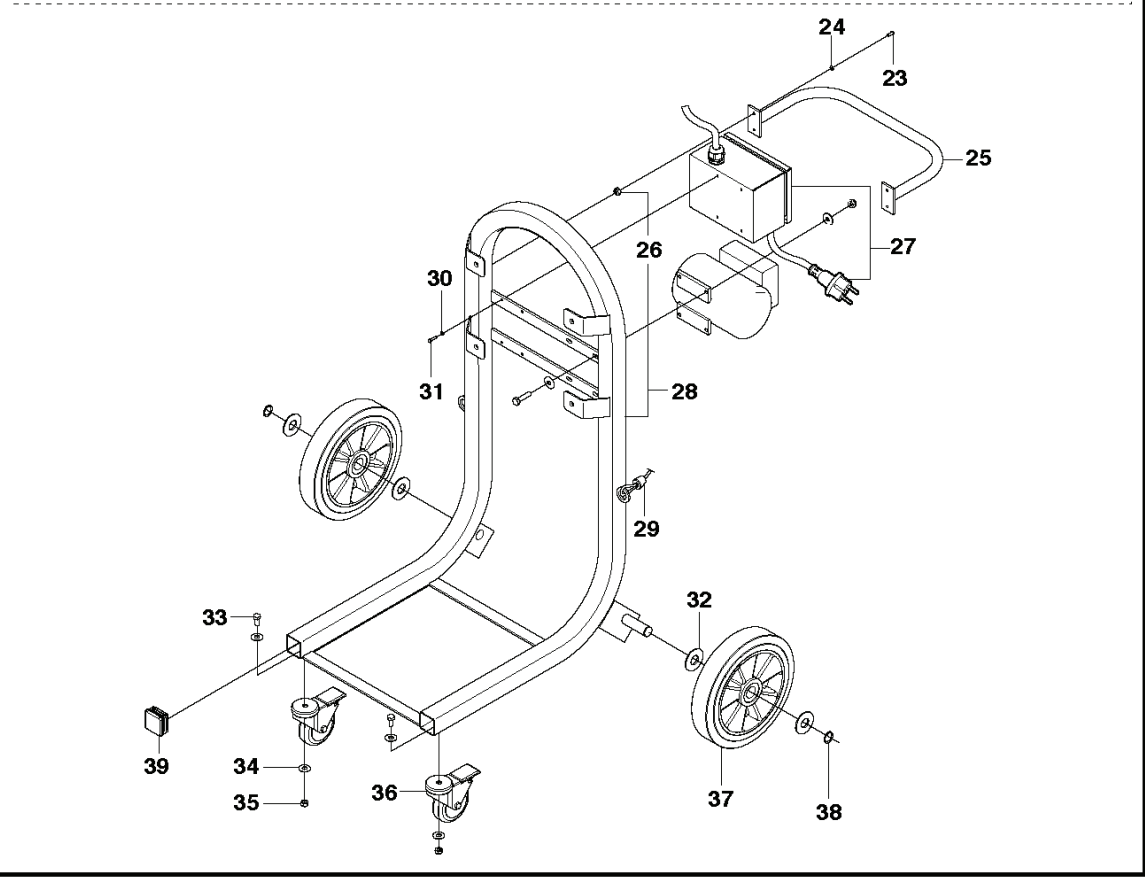
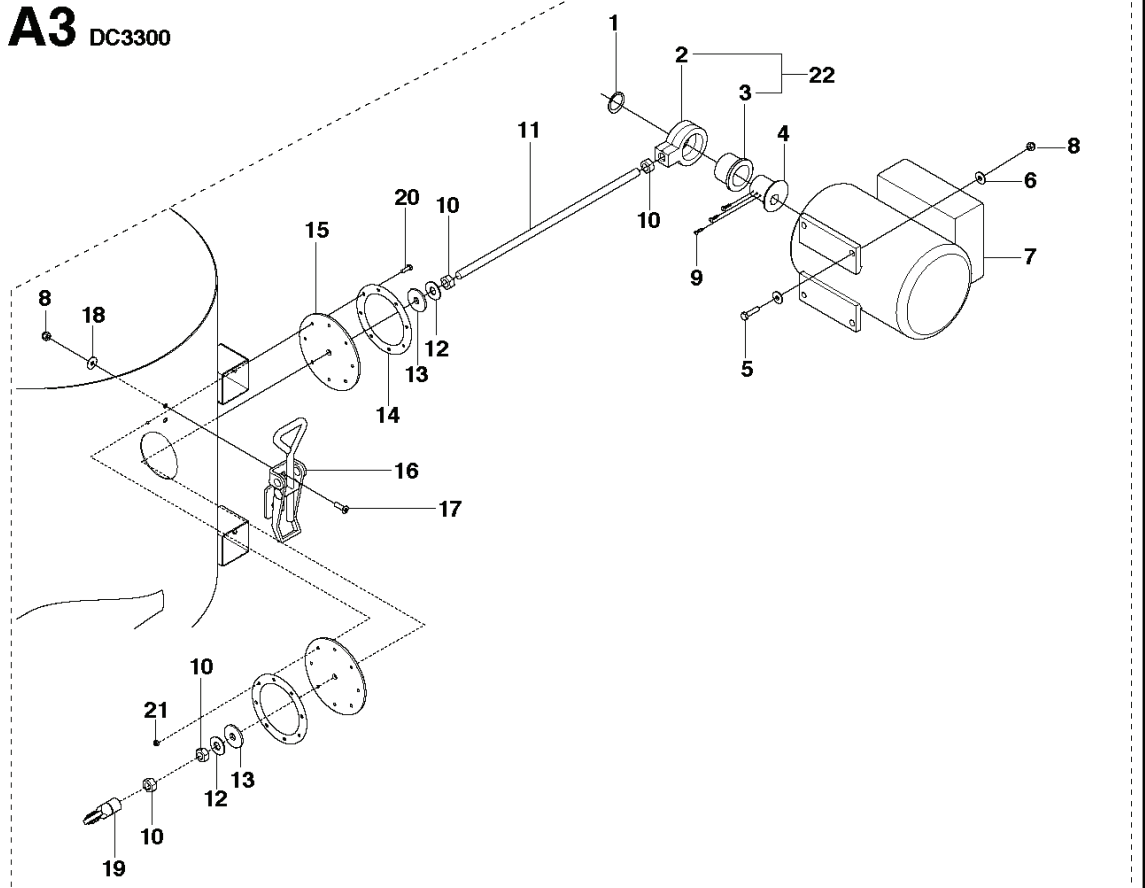


UL



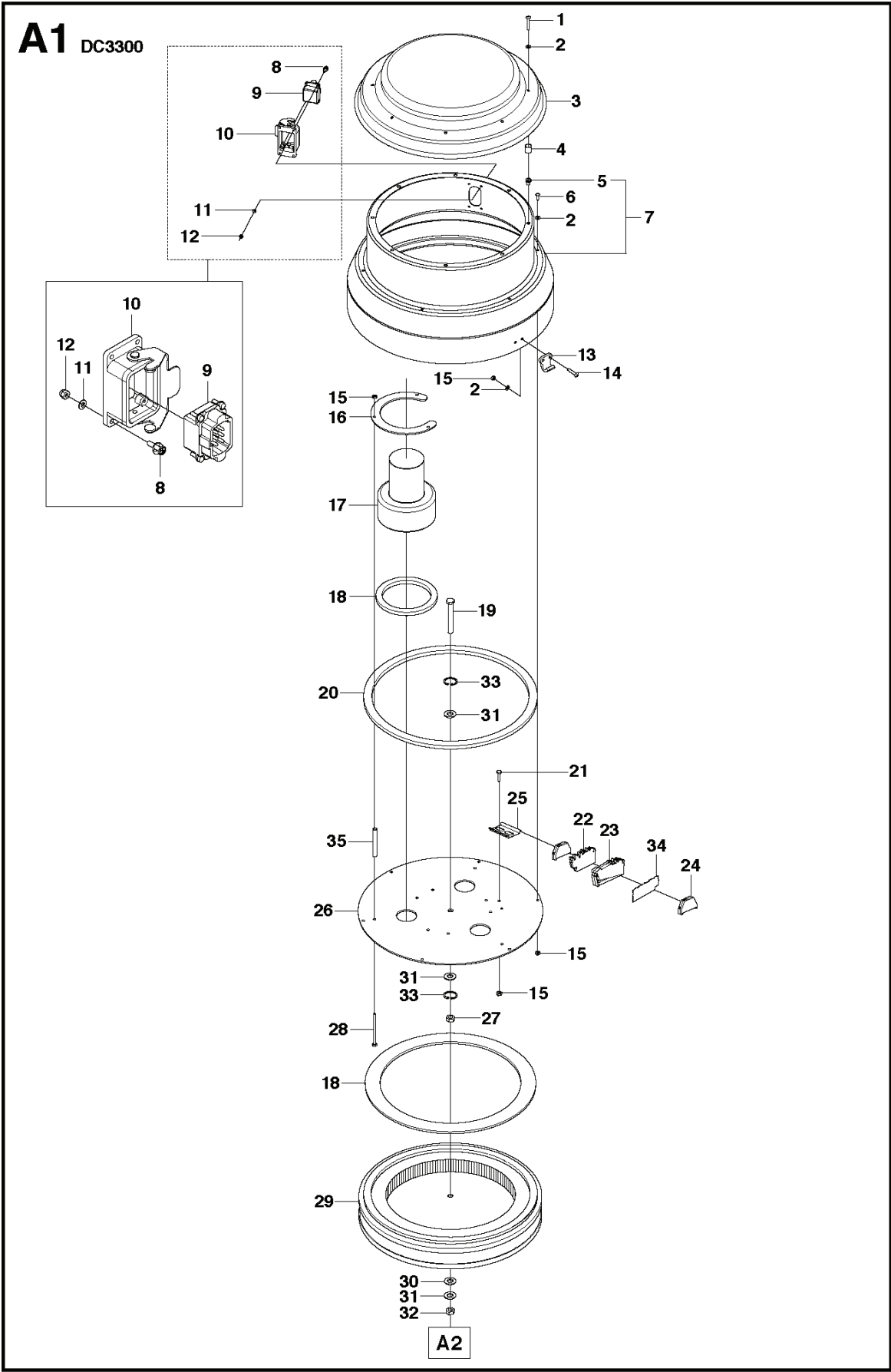
REF.	PART NO.	DESCRIPTION	REMARK	QTY.	KIT
1	516060501	CONNECTOR		1	
2	516061301	HOOD		1	
3a	575632101	CABLE		1	
3b	575632102	CABLE		1	
4a	575632501	BOX		1	
4b	575632502	ELECTRIC BOX		1	
5a	516061801	GROMMET		1	
5b	516061201	GROMMET	UL	1	
6	735215301	LOCKWASHER		0	
7	734115201	WASHER		3	
8	732251601	HEXAGON LOCKING NUT		5	
9	575632601	LID		1	
10	504759101	SCREW IH PANM		4	
11	522660301	GROMMET		1	
12	510431801	NUT		1	
13	510431701	CABLE GROMMET		1	
14	734115441	WASHER		2	
15	516061101	RAIL		1	
16	504749001	FILTER		1	
17	734113601	WASHER		0	
18	732251201	HEXAGON LOCKING NUT		0	
19	574035301	CIRCUIT BREAKER		1	
20	522746901	TERMINAL BLOCK		2	
21	504738901	BUTTON		1	
22	504738701	BUTTON		1	
23	504739901	CLAMP		2	
24	502568701	SEAL		1	
25	525489301	DECAL		1	
26	504738801	PUSH BUTTON		1	
27	504738601	SWITCH		1	
28a	504751601	PLUG		1	
28b	574306701	PLUG		1	
28c	504750301	PLUG		1	
28d	575632701	CABLE		1	
29	516060601	HOUSING		1	
30	724129351	SCREW CR PANM		4	
31	516060701	CONNECTOR		1	
32	522868902	COVER PLATE		1	
33	522897701	TERMINAL BLOCK		2	
34	575633102	CABLE		1	
35a	581237301	CABLE ASSY		1	
35b	581237302	CABLE ASSY	UL	1	

A3 DC3300



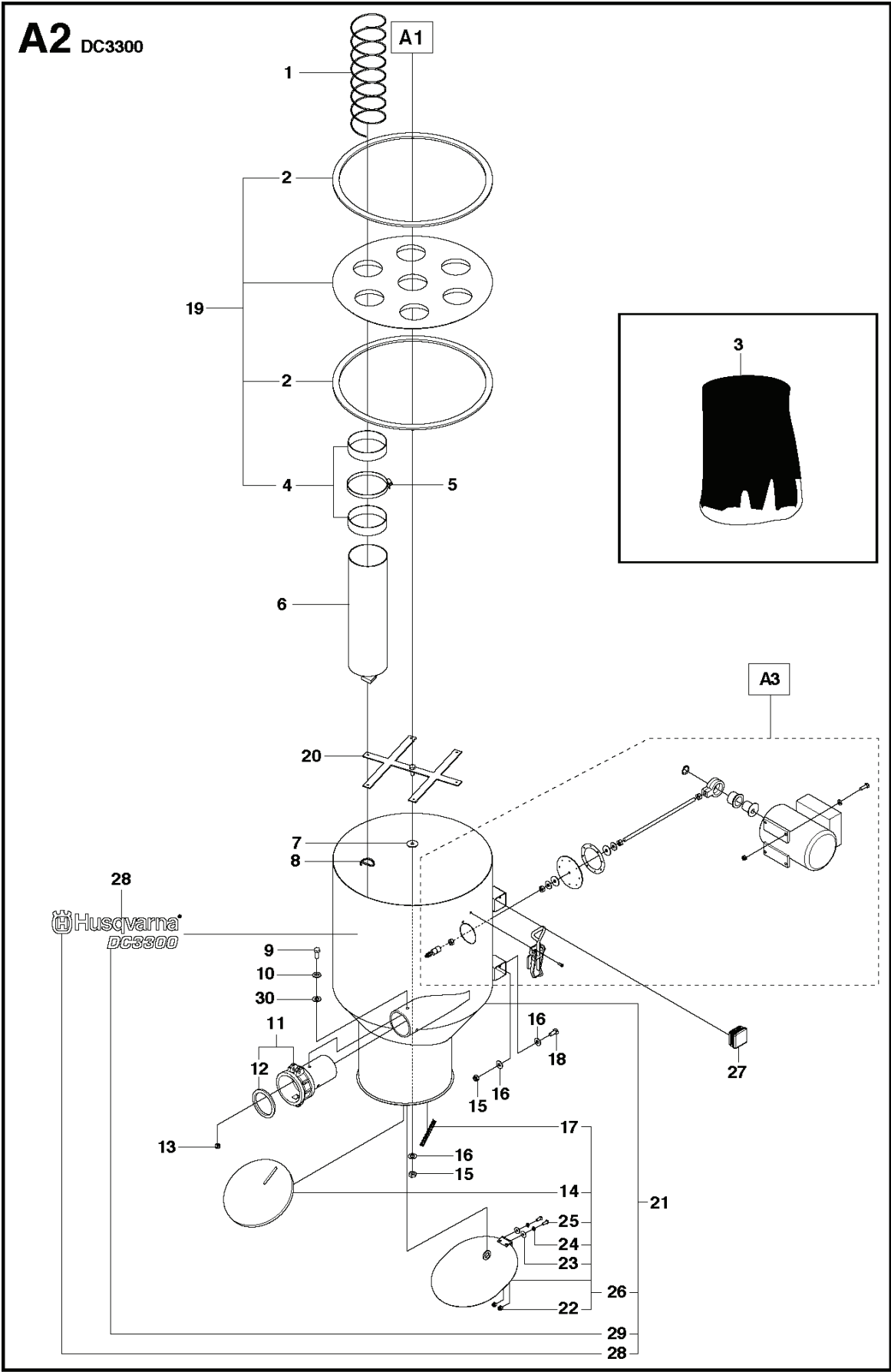
REF.	PART NO.	DESCRIPTION	REMARK	QTY.	KIT
1	735313000	CIRCLIP		1	
2	502571801	COUPLING		1	
3	502571901	BUSHING		1	
4	502571701	BOSS		1	
5	725237271	SCREW EHHM		4	
6	734115441	WASHER		8	
7	502570601	ELECTRIC MOTOR		1	
8	732251601	HEXAGON LOCKING NUT		8	
9	728532701	SCREW IHSETM		3	
10	731232001	HEXAGON NUT		4	
11	502571501	ROD		1	
12	734117441	WASHER		2	
13	516060101	WASHER		2	
14	502571401	RING		2	
15	502571301	DIAPHRAGM		2	
16	502570002	LATCH		2	
17	724337051	SCREW CRCSFM		4	
18	734115441	WASHER		4	
19	502571601	ROD END		1	
20	725232971	SCREW EHHM		8	
21	732251401	HEXAGON LOCKING NUT		8	
22	504730602	BUSH		1	
23	504759001	SCREW IHANM		4	
24	734115201	WASHER		4	
25	502572701	HANDLEBAR ASSY		1	
26	521886601	RIVET		4	
27a	575631301	ELECTRIC BOX		1	
27b	575631302	ELECTRIC BOX		1	
27c	575631303	ELECTRIC BOX		1	
27d	575631401	ELECTRIC BOX		1	
28	575631501	CHASSIS		1	
29	502570201	STRAP		1	
30	734115441	WASHER		6	
31	541405178	SCREW IHANM		4	
32	504751401	WASHER		4	
33	725254071	SCREW EHHM		2	
34	734117801	WASHER		4	
35	732252201	HEXAGON LOCKING NUT		2	
36	502569101	WHEEL		2	
37	502545001	WHEEL		2	
38	735312600	CIRCLIP		2	
39	504759701	HUB CAP		2	

A1 DC3300



REF.	PART NO.	DESCRIPTION	REMARK	QTY.	KIT
1	504759101	SCREW IH PANM		8	
2	734115201	WASHER		18	
3	502572001	COVER		1	
4	522746601	SPACING TUBE		8	
5	521886601	RIVET		8	
6	504758901	SCREW IH PANM		6	
7	502572301	HOUSING		1	
8	724129351	SCREW CR PANM		4	
9	516061401	CONNECTOR		1	
10	516060401	HOUSING		1	
11	734113601	WASHER		4	
12	732251201	HEXAGON LOCKING NUT		4	
13	502570004	HOOK		2	
14	504759001	SCREW IH PANM		4	
15	732251601	HEXAGON LOCKING NUT		21	
16	502572501	BRACKET		3	
17	504756401	ELECTRIC BOX		3	
18	502568301	SEAL		2	
19	725255471	SCREW EHHM		1	
20	502568701	SEAL		1	
21	725236671	SCREW EHHM		2	
22	504757301	TERMINAL BLOCK		1	
23	522746901	TERMINAL BLOCK		2	
24	504739901	CLAMP		2	
25	522747001	RAIL		1	
26	502572401	PLATE		1	
27	731232201	HEXAGON NUT		1	
28	725238851	SCREW EHHM		9	
29	502573201	FILTER		1	
30	516060101	WASHER		1	
31	734118041	WASHER		3	
32	732252201	HEXAGON LOCKING NUT		1	
33	735117801	WASHER		2	
34	522868901	COVER PLATE		1	
35	587189101	CASING		1	

A2 DC3300



REF.	PART NO.	DESCRIPTION	REMARK	QTY.	KIT
1	522747201	SPRING		7	
2	502568701	SEAL		2	
3	502570101	BAGS	200 PCS	1	
4	522747401	SEAL		1	
5	522747501	HOSE CLAMP		7	
6	502573001	FILTER		7	
7	516060101	WASHER		1	
8	543850017	TIE STRAP		8	
9	504750201	SCREW IHANM		2	
10	734116301	WASHER		2	
11	502569604	COUPLING		1	
12	502534005	RUBBER RING		1	
13	732251801	HEXAGON LOCKING NUT		2	
14	502568405	SEAL		1	
15	732252001	HEXAGON LOCKING NUT		5	
16	734117201	WASHER		9	
17	502568404	SPRING		1	
18	725249376	SCREW EHHM		4	
19	504730902	PLATE		1	
20	504733502	RACK		1	
21	575343901	CONE		1	
22	732251601	HEXAGON LOCKING NUT		2	
23	734115441	WASHER		2	
24	735115301	WASHER		2	
25	541405178	SCREW IHANM		2	
26	574620301	FLAP		1	
27	504759701	HUB CAP		4	
28	525488802	DECAL		1	
29	525488701	DECAL		1	
30	734116360	WASHER		2	