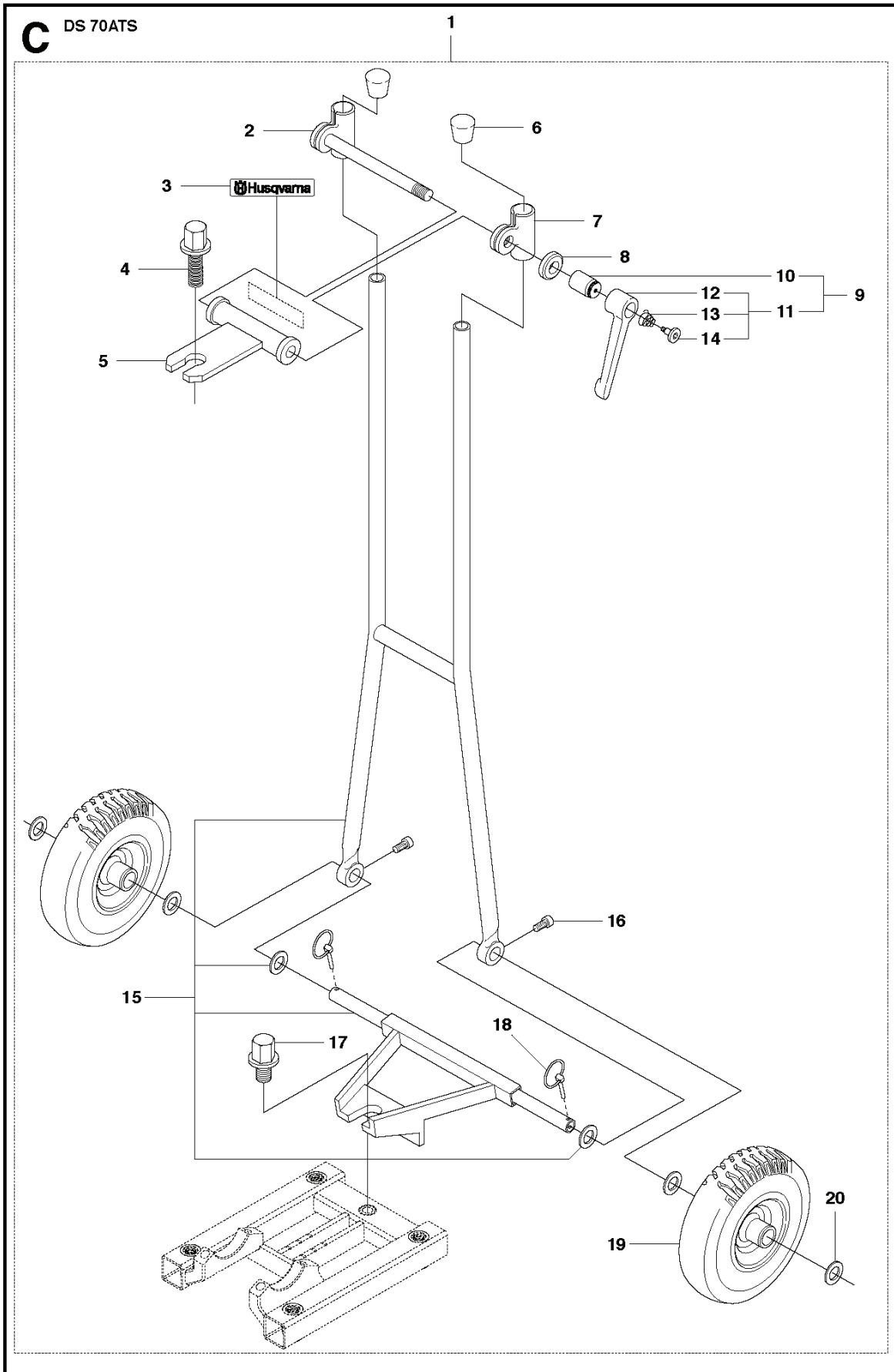


DS70 ATS, 2008-05

SPARE PARTS LIST

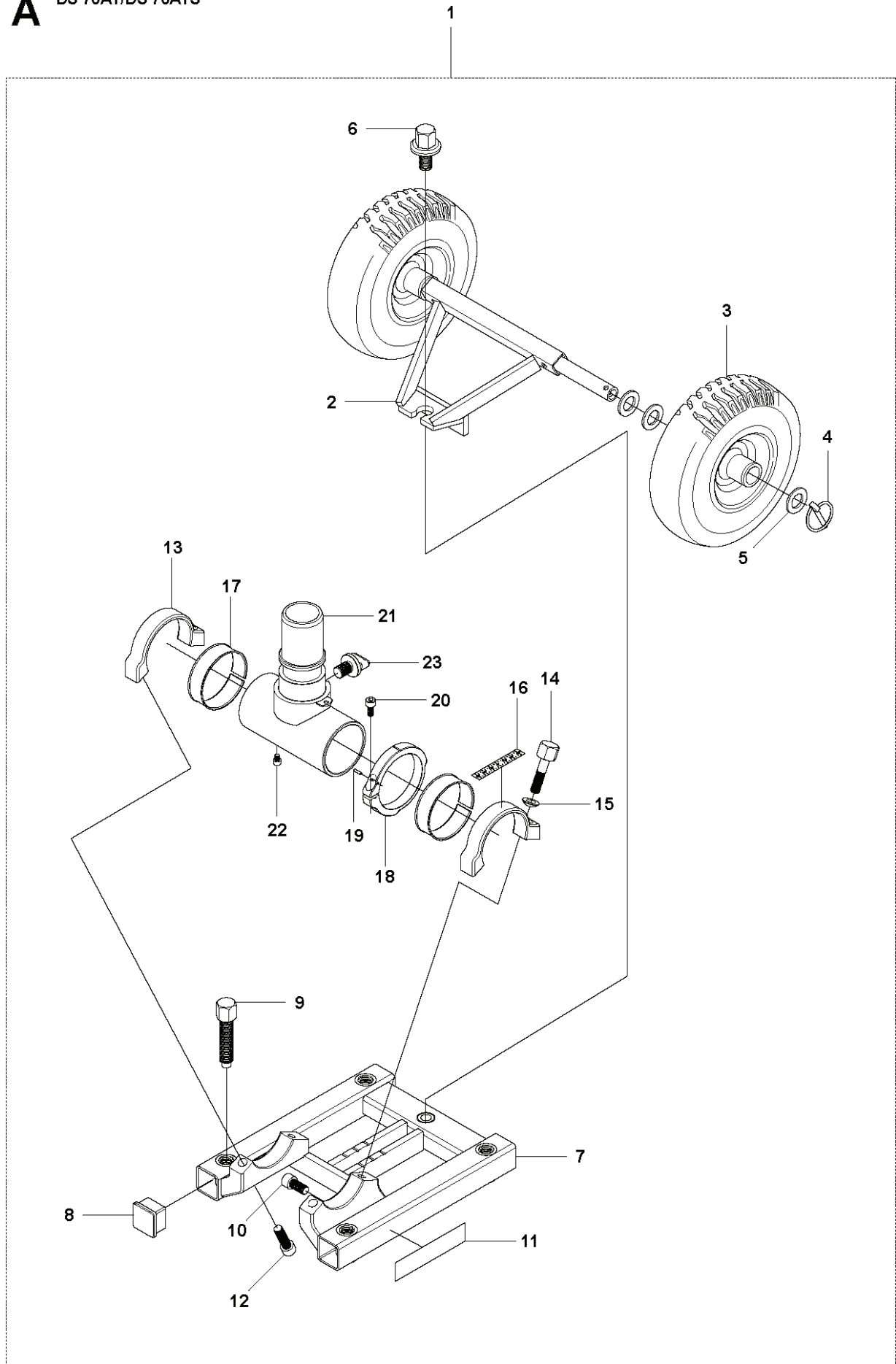
C

DS 70ATS



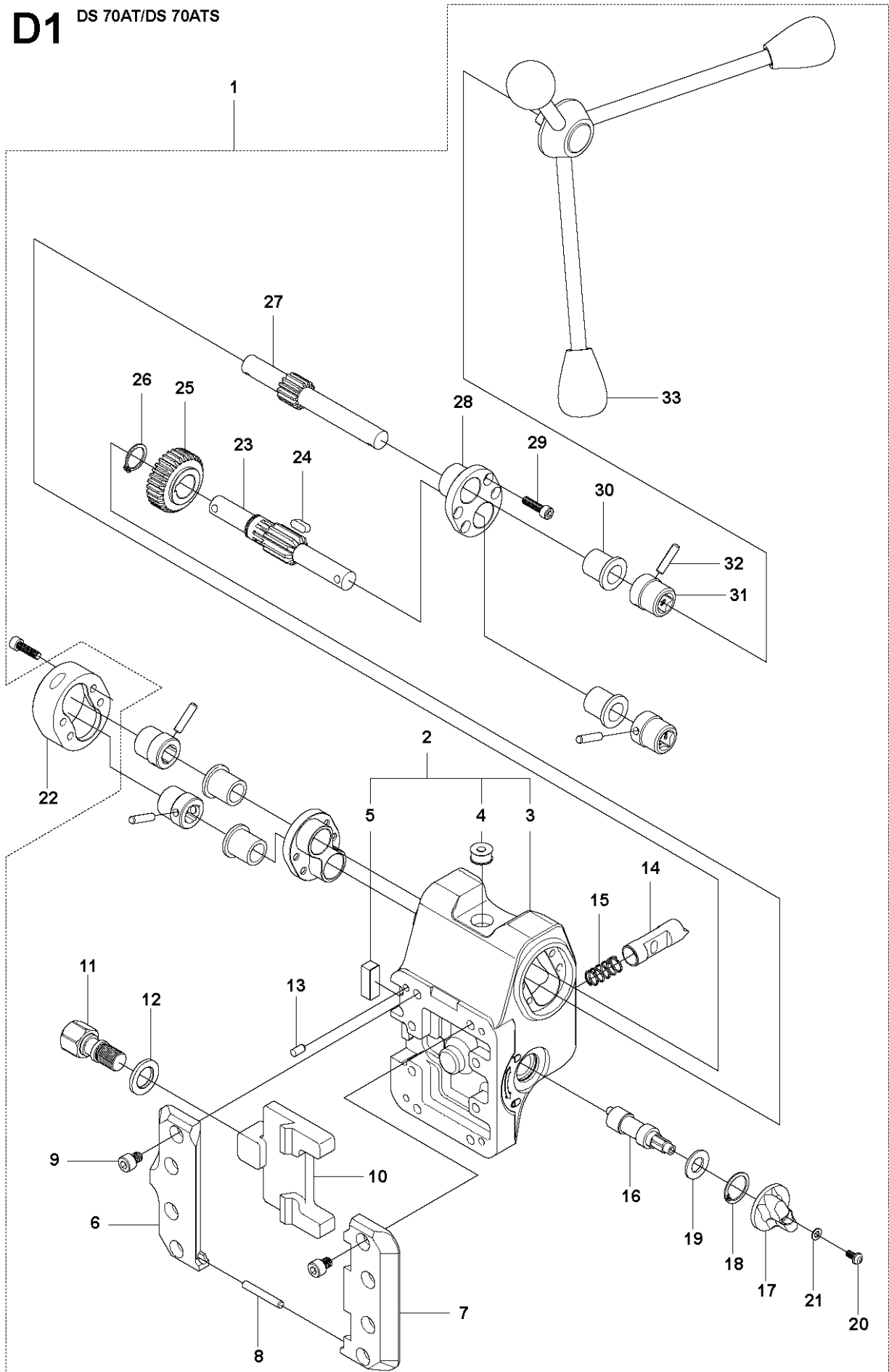
| REF. | PART NO. | DESCRIPTION | REMARK | QTY. | KIT |
|------|-----------|--------------|------------------|------|-----|
| 1 | 506407610 | SUPPORT ASSY | Incl. 2-9, 15-20 | 1 | |
| 2 | 531140737 | SLEEVE | | 1 | |
| 3 | 504021001 | DECAL | | 1 | |
| 4 | 531140735 | SCREW | | 1 | |
| 5 | 504020901 | FORK | | 1 | |
| 6 | 531140738 | PLUG | | 2 | |
| 7 | 531140739 | SLEEVE | | 1 | |
| 8 | 531140676 | WASHER | | 1 | |
| 9 | 506407715 | JUSTERVRED | Incl. 10, 11 | 1 | |
| 10 | 531140675 | SLEEVE | | 1 | |
| 11 | 501384604 | HANDLE | Incl. 12-14 | 1 | |
| 12 | 504018102 | HANDLE | | 1 | |
| 13 | 501384702 | SPRING | | 1 | |
| 14 | 501386002 | SCREW | | 1 | |
| 15 | 506407612 | RETAINER | | 1 | |
| 16 | 531140679 | SCREW | | 2 | |
| 17 | 531140743 | SCREW | | 1 | |
| 18 | 531140623 | PEN | | 2 | |
| 19 | 531140624 | WHEEL | | 2 | |
| 20 | 531140627 | WASHER | | 6 | |

A DS 70AT/DS 70ATS



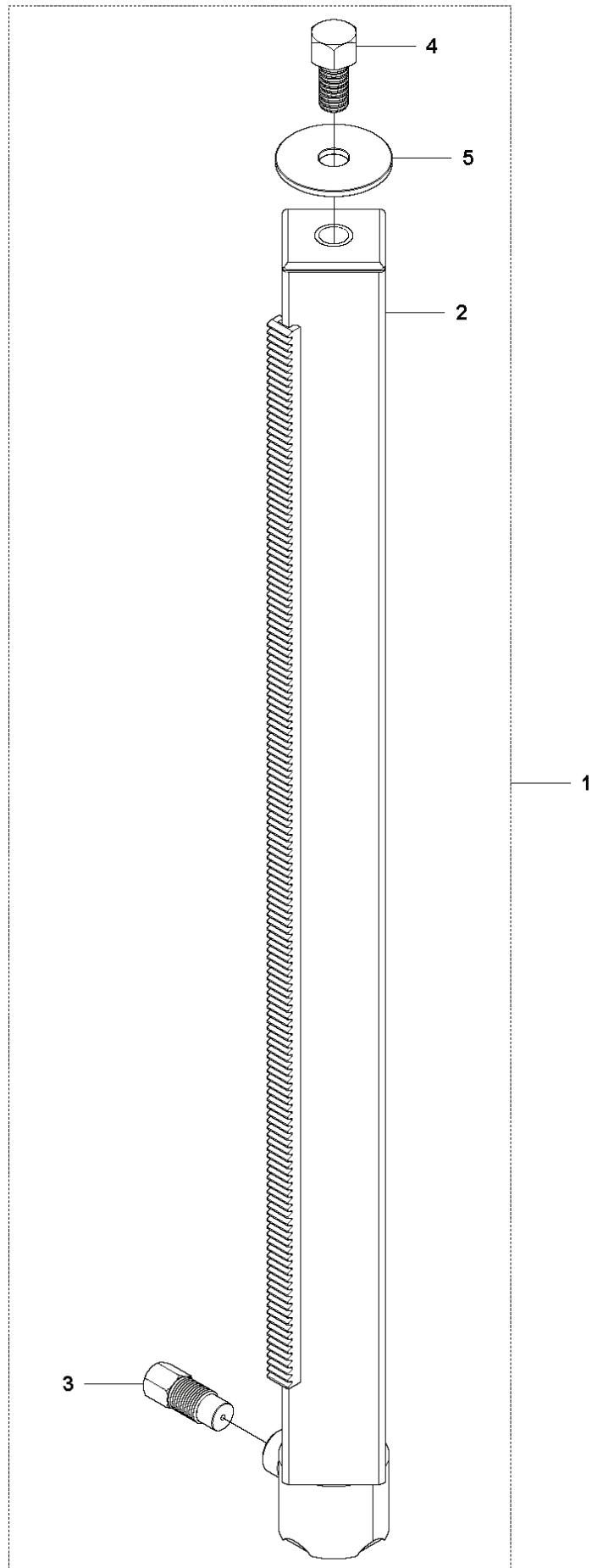
| REF. | PART NO. | DESCRIPTION | REMARK | QTY. | KIT |
|------|-----------|-------------|------------|------|-----|
| 1 | 504909101 | FOOT PLATE | Incl. 2-23 | 1 | |
| 2 | 504909114 | PLATE | | 1 | |
| 3 | 531140624 | WHEEL | | 2 | |
| 4 | 531140623 | PEN | | 2 | |
| 5 | 531140627 | WASHER | | 6 | |
| 6 | 531140743 | SCREW | | 1 | |
| 7 | 504909111 | FOOT PLATE | | 1 | |
| 8 | 531140620 | PLUG | | 4 | |
| 9 | 531140618 | SCREW | | 4 | |
| 10 | 504909113 | FOOT PLATE | | 1 | |
| 11 | 504021002 | DECAL | | 1 | |
| 12 | 504909112 | FOOT PLATE | | 2 | |
| 13 | 504909103 | PLATE | | 2 | |
| 14 | 504900601 | SCREW | | 2 | |
| 15 | 504909102 | PLATE | | 2 | |
| 16 | 504909101 | FOOT PLATE | Incl. 2-23 | 1 | |
| 17 | 504909104 | PLATE | | 2 | |
| 18 | 504909106 | PLATE | | 1 | |
| 19 | 504909108 | PLATE | | 1 | |
| 20 | 504909107 | PLATE | | 1 | |
| 21 | 504904601 | GUIDE | | 1 | |
| 22 | 504909109 | PLATE | | 1 | |
| 23 | 504909105 | PLATE | | 1 | |

D1 DS 70AT/DS 70ATS



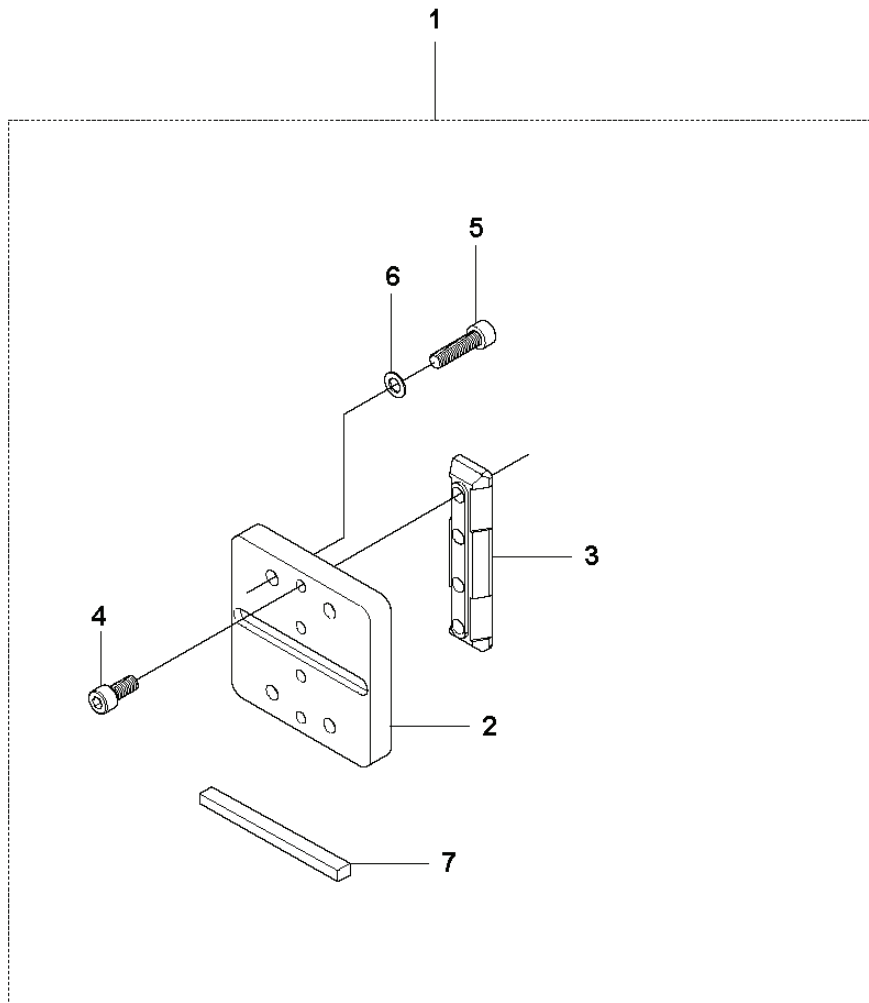
| REF. | PART NO. | DESCRIPTION | REMARK | QTY. | KIT |
|------|-----------|------------------|--------------------------------------|------|-----|
| 1 | 504908301 | CASE | Incl. 2, 6-33 and 2-11 on Page D2 | 1 | |
| 2 | 504908328 | SHREDDER CASE | | 1 | |
| 3 | 504908320 | CASE | | 1 | |
| 4 | 531140897 | LEVEL | | 1 | |
| 5 | 531140898 | LEVEL | | 1 | |
| 6 | 504908322 | CASE | | 1 | |
| 7 | 504908321 | CASE | | 1 | |
| 8 | 504908323 | PIN | | 1 | |
| 9 | 504908324 | CASE | Incl. 10, 11 | 8 | |
| 10 | 504908325 | CASE | | 1 | |
| 11 | 504903601 | SCREW | Incl. 12-14 | 1 | |
| 12 | 504711901 | WASHER | | 1 | |
| 13 | 504908326 | PIN | | 1 | |
| 14 | 504711801 | SHAFT | | 1 | |
| 15 | 505400308 | CASE | | 1 | |
| 16 | 505400309 | CASE | | 1 | |
| 17 | 504908317 | CASE | | 1 | |
| 18 | 504908316 | CASE | | 1 | |
| 19 | 504908315 | CASE | | 1 | |
| 20 | 504908319 | CASE | | 1 | |
| 21 | 504908318 | CASE | | 1 | |
| 22 | 504908337 | SHREDDER CASE | | 1 | |
| 23 | 582893001 | GEAR WHEEL SHAFT | | 1 | |
| 24 | 504908336 | CASE | | 1 | |
| 25 | 504600401 | GEAR WHEEL | | 1 | |
| 26 | 504908305 | CASE | | 1 | |
| 27 | 504908601 | GEAR WHEEL SHAFT | | 1 | |
| 28 | 504908307 | CASE | | 2 | |
| 29 | 504908312 | SHREDDER CASE | | 8 | |
| 30 | 504908308 | CASE | | 4 | |
| 31 | 504908309 | CASE | | 4 | |
| 32 | 504908310 | CASE | | 4 | |
| 33 | 504908327 | CASE | | 1 | |

B DS 70AT/DS 70ATS



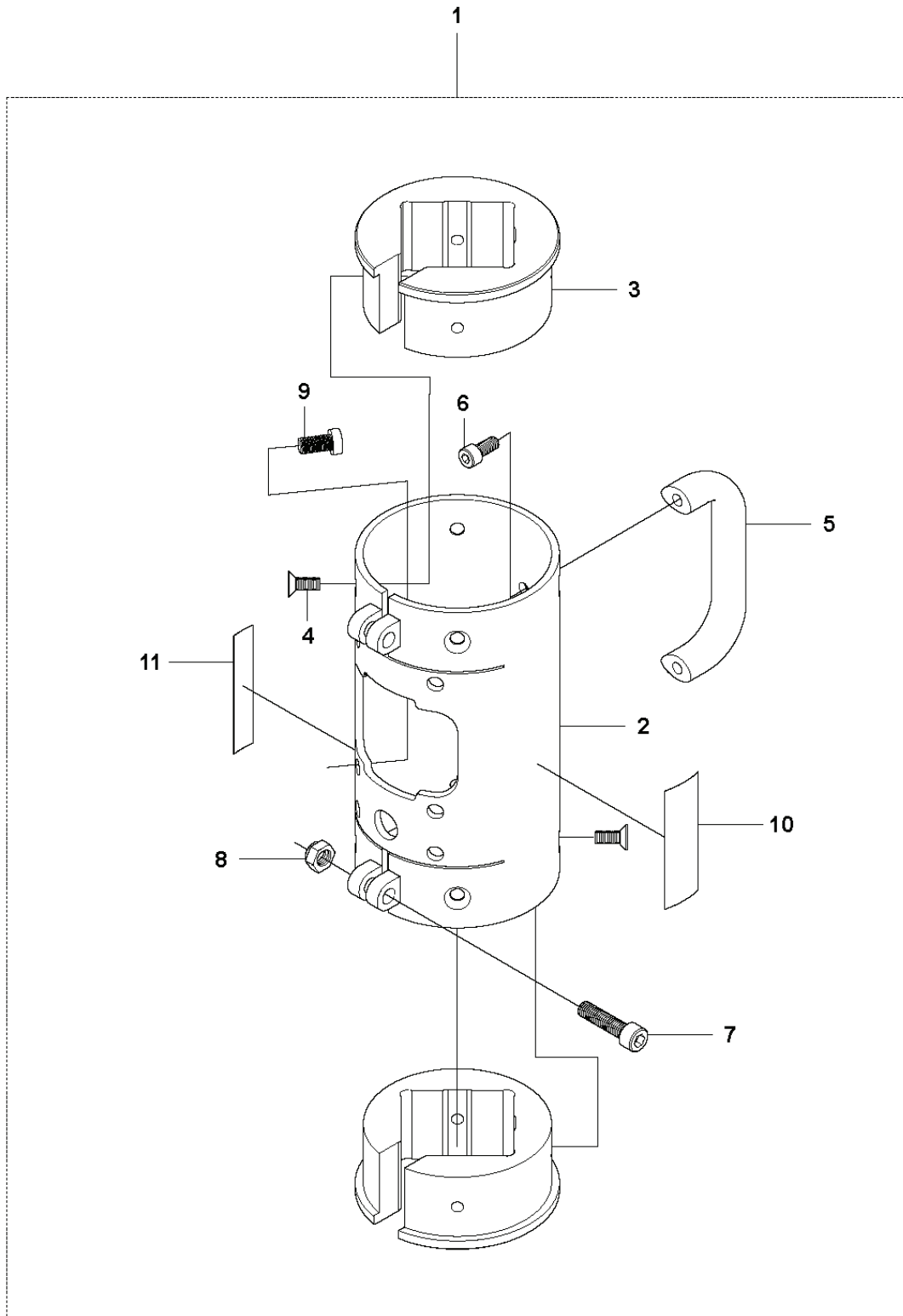
| REF. | PART NO. | DESCRIPTION | REMARK | QTY. | KIT |
|------|-----------|-------------|-----------|------|-----|
| 1 | 504908401 | COLUMN | Incl. 2-5 | 1 | |
| 2 | 504908404 | COLUMN | | 1 | |
| 3 | 504908405 | COLUMN | | 1 | |
| 4 | 504048401 | STOP | | 1 | |
| 5 | 504908406 | COLUMN | | 1 | |

E DS 70AT/DS 70ATS



| REF. | PART NO. | DESCRIPTION | REMARK | QTY. | KIT |
|------|-----------|-------------|-----------|------|-----|
| 1 | 506400807 | BRACKET | Incl. 2-6 | 1 | |
| 2 | 504719201 | BRACKET | | 1 | |
| 3 | 504908333 | WEDGE | | 1 | |
| 4 | 504696301 | SCREW | | 4 | |
| 5 | 531140659 | SCREW | | 4 | |
| 6 | 531140712 | WASHER | | 4 | |
| 7 | 531140674 | WEDGE | | 1 | |

D2 DS 70AT/DS 70ATS



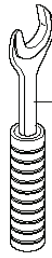
| REF. | PART NO. | DESCRIPTION | REMARK | QTY. | KIT |
|------|-----------|---------------|--------------------------------------|------|-----|
| 1 | 504908301 | CASE | Incl. 2-11 and 2, 6-33 on Page D1 | 1 | |
| 2 | 504908329 | CASE | | 1 | |
| 3 | 504908332 | SHREDDER CASE | | 2 | |
| 4 | 531140658 | SCREW | | 8 | |
| 5 | 504908330 | HANDLE | | 1 | |
| 6 | 531140685 | SCREW | | 2 | |
| 7 | 531140686 | SCREW | | 2 | |
| 8 | 531140630 | NUT | | 2 | |
| 9 | 504908334 | CASE | | 6 | |
| 10 | 504908331 | CASE | | 1 | |
| 11 | 504021001 | DECAL | | 1 | |

F DS 70AT/DS 70ATS
TOOLKIT

1



2



3



4



5

| REF. | PART NO. | DESCRIPTION | REMARK | QTY. | KIT |
|------|-----------|-------------|-----------|------|-----|
| 1 | 506408603 | TOOL KIT | Incl. 2-5 | 1 | |
| 2 | 544457202 | SPANNER | | 1 | |
| 3 | 544222702 | SPANNER | | 1 | |
| 4 | 531140762 | HEX KEY | | 1 | |
| 5 | 544279801 | HEX KEY | | 1 | |