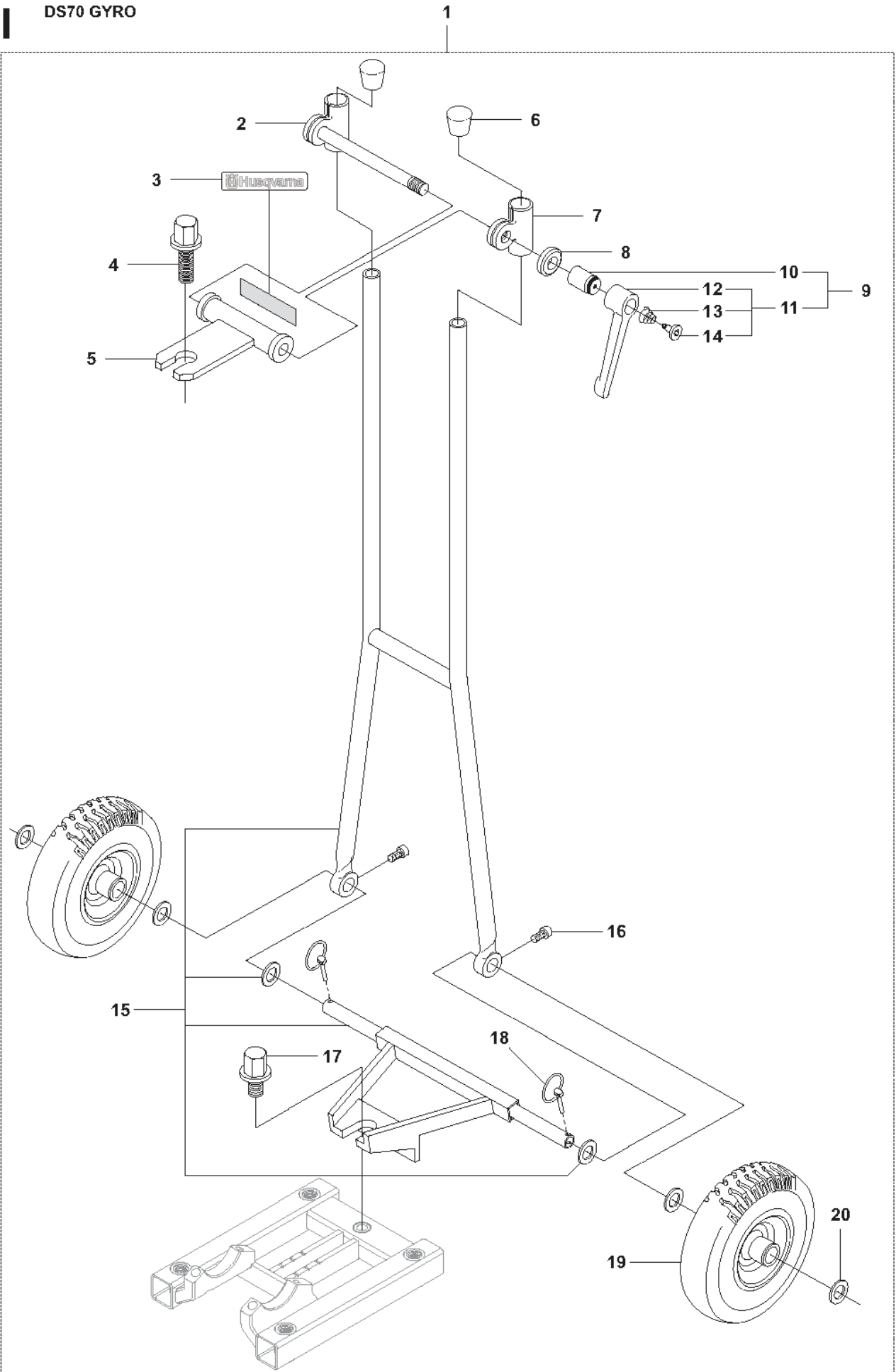


DS70 Gyro, 2009-26

SPARE PARTS LIST

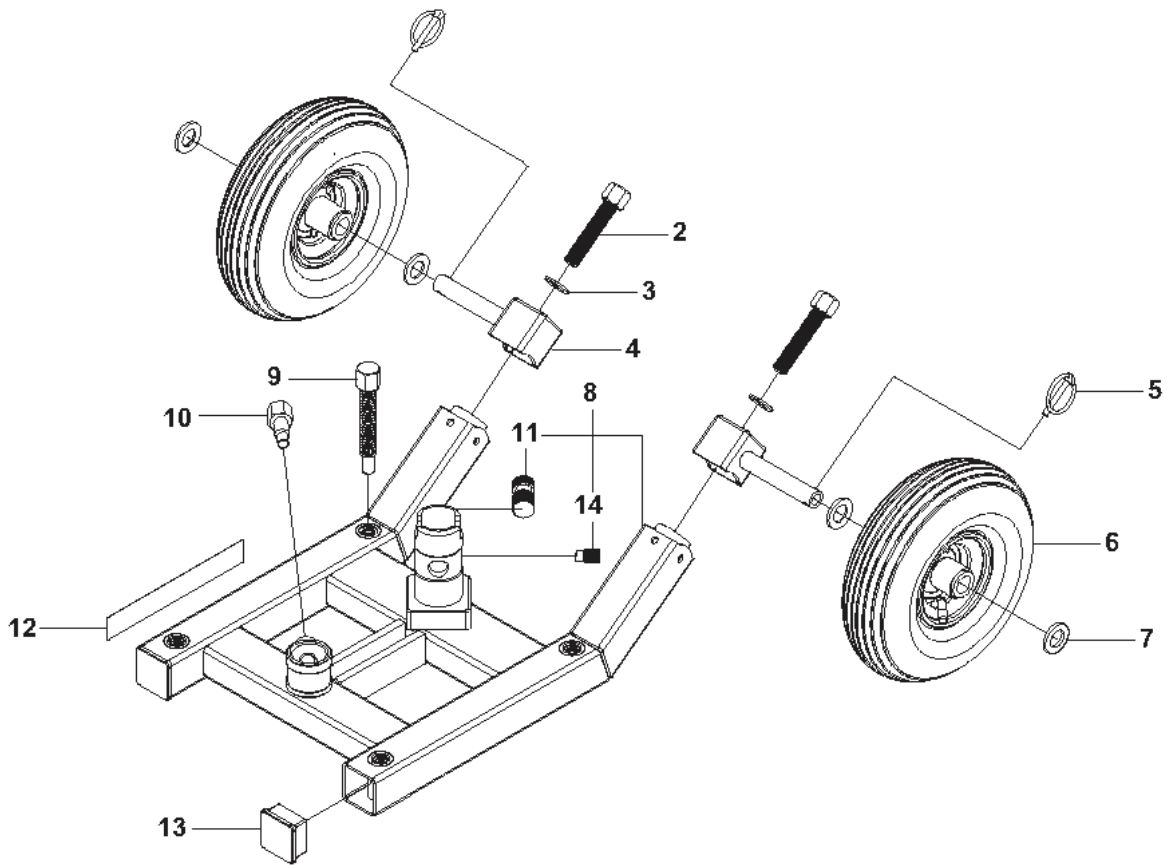
DS70 GYRO



REF.	PART NO.	DESCRIPTION	REMARK	QTY.	KIT
1	506407610	SUPPORT ASSY	Incl. 2-9, 15-20	1	
2	531140737	SLEEVE		1	
3	504021001	DECAL		1	
4	531140735	SCREW		1	
5	504020901	FORK		1	
6	531140738	PLUG		2	
7	531140739	SLEEVE		1	
8	531140676	WASHER		1	
9	506407715	JUSTERVRED	Incl. 10, 11	1	
10	531140675	SLEEVE		1	
11	501384604	HANDLE	Incl. 12-14	1	
12	504018102	HANDLE		1	
13	501384702	SPRING		1	
14	501386002	SCREW		1	
15	506407612	RETAINER		1	
16	531140679	SCREW		2	
17	531140743	SCREW		1	
18	531140623	PEN		2	
19	531140624	WHEEL		2	
20	531140627	WASHER		6	

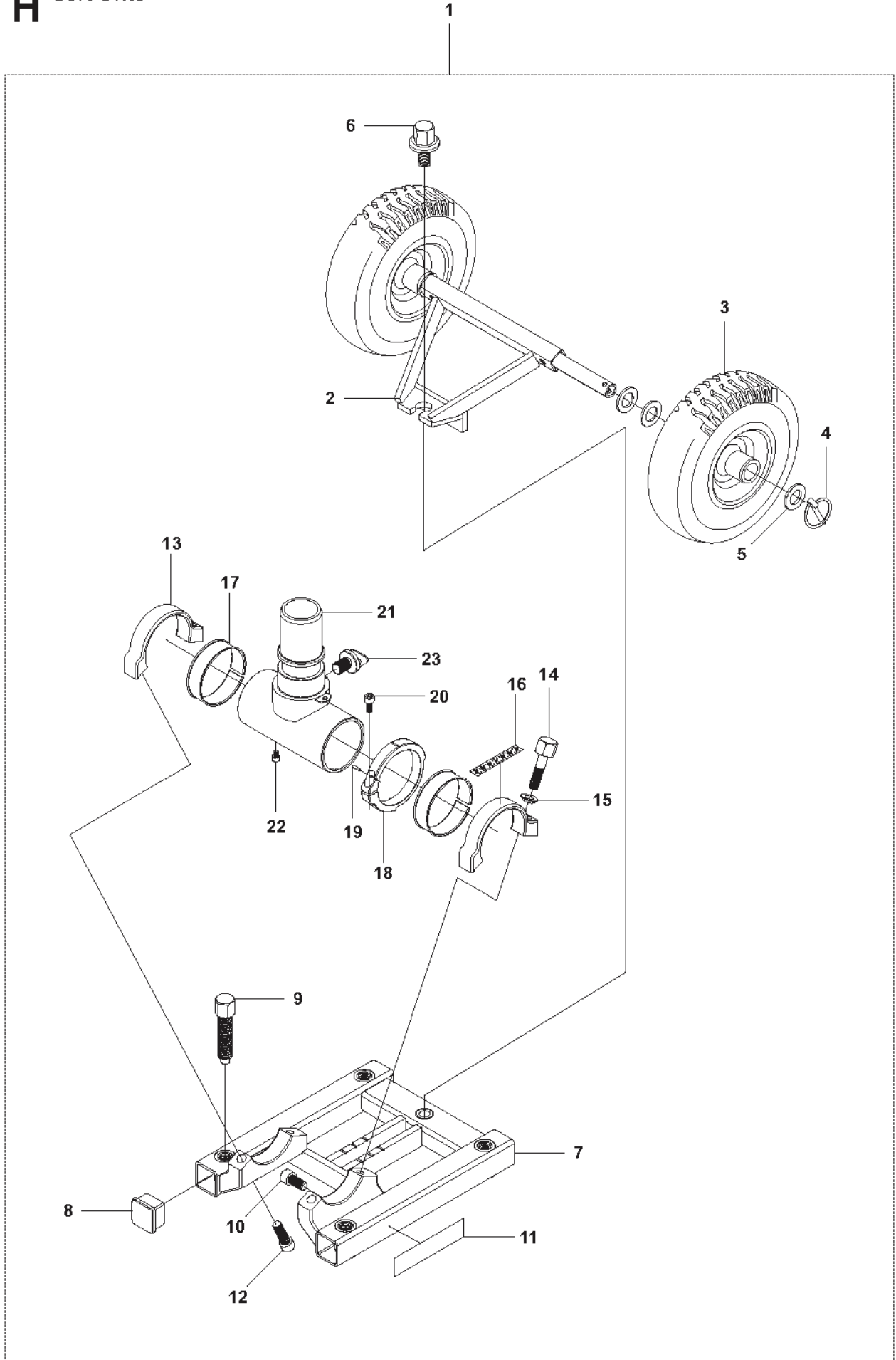
B DS70 GYRO

1



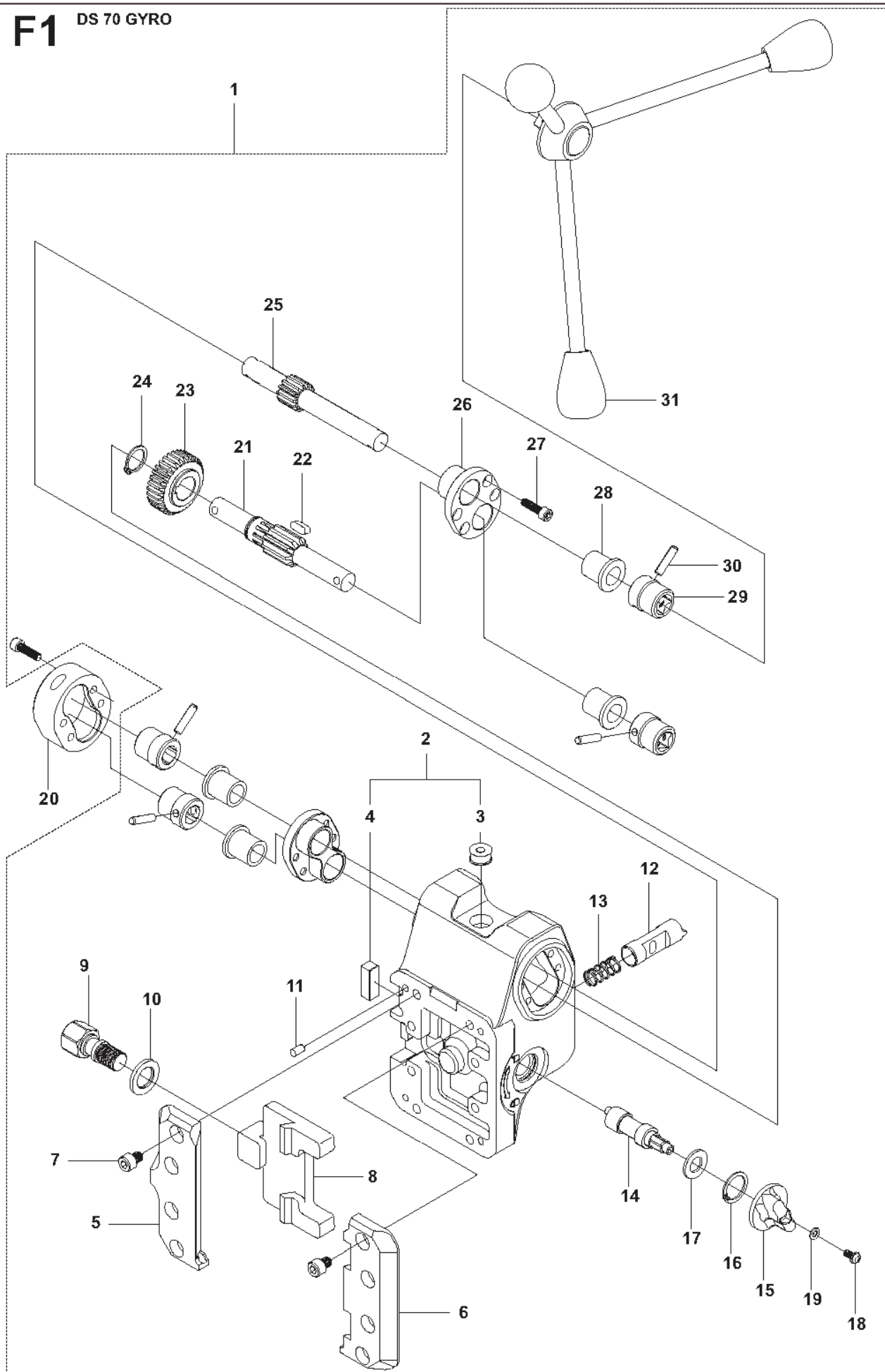
REF.	PART NO.	DESCRIPTION	REMARK	QTY.	KIT
1	504908201	FOOT PLATE	Incl 2-13	1	
2	531140721	SCREW		2	
3	531140722	WASHER		2	
4	522723201	WHEEL BRACKET		2	
5	531140623	PEN		2	
6	522472501	WHEEL		2	
7	531140627	WASHER		4	
8	522956002	BASEPLATE	Incl 11, 14	1	
9	522449301	ADJUSTMENT SCREW		4	
10	531140619	SCREW		1	
11	522956201	SCREW		1	
12	504021003	DECAL		1	
13	531140664	PLUG		2	
14	525862801	SCREW		1	

H DS70 GYRO



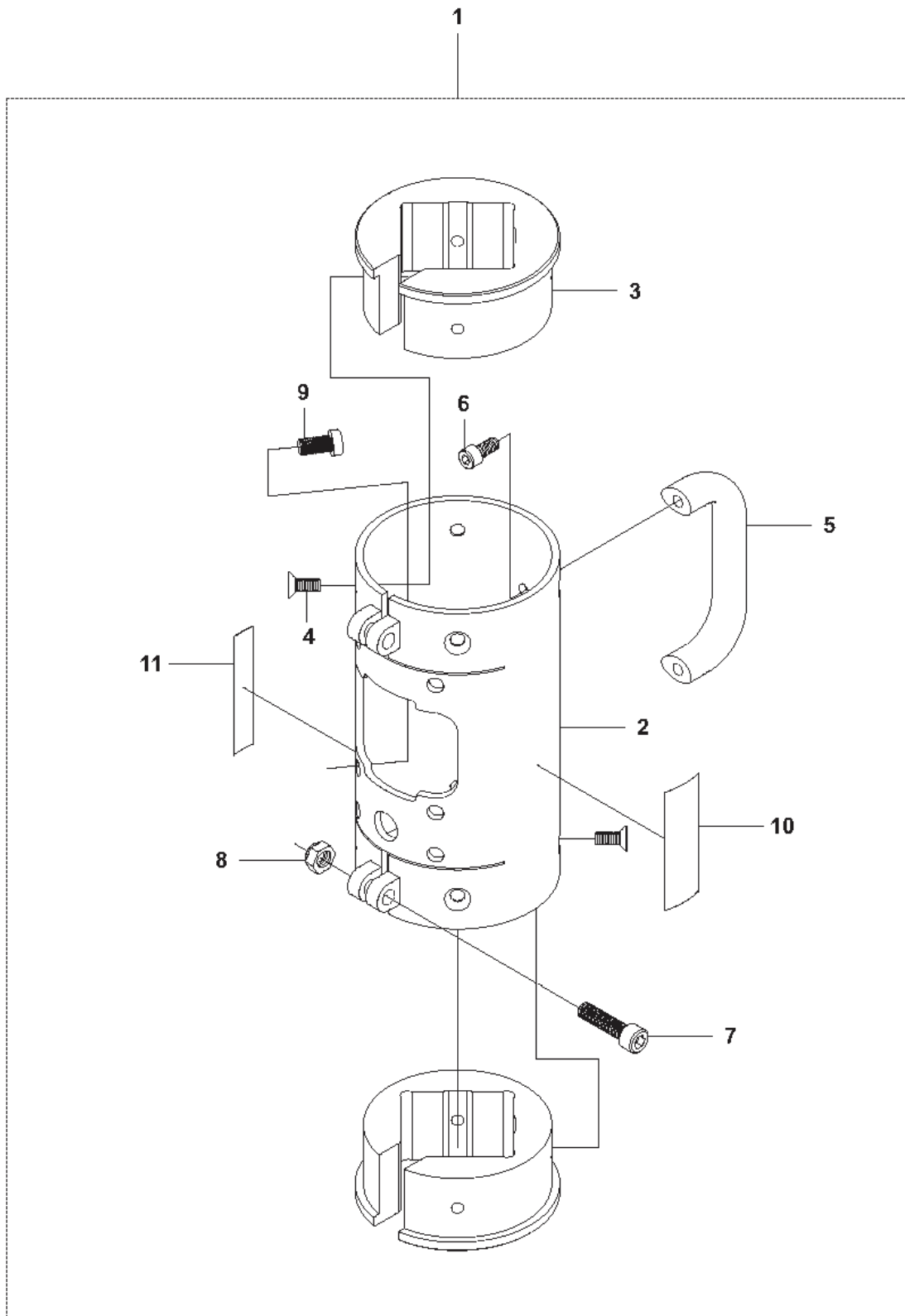
REF.	PART NO.	DESCRIPTION	REMARK	QTY.	KIT
1	504909101	FOOT PLATE	Incl. 2-23	1	
2	504909114	PLATE		1	
3	531140624	WHEEL		2	
4	531140623	PEN		2	
5	531140627	WASHER		6	
6	531140743	SCREW		1	
7	504909111	FOOT PLATE		1	
8	531140620	PLUG		4	
9	531140618	SCREW		4	
10	504909113	FOOT PLATE		1	
11	504021002	DECAL		1	
12	504909112	FOOT PLATE		2	
13	504909103	PLATE		2	
14	504900601	SCREW		2	
15	504909102	PLATE		2	
16	504909110	PLATE		1	
17	504909104	PLATE		2	
18	504909106	PLATE		1	
19	504909108	PLATE		1	
20	504909107	PLATE		1	
21	504904601	GUIDE		1	
22	504909109	PLATE		1	
23	504909105	PLATE		1	

F1 DS 70 GYRO



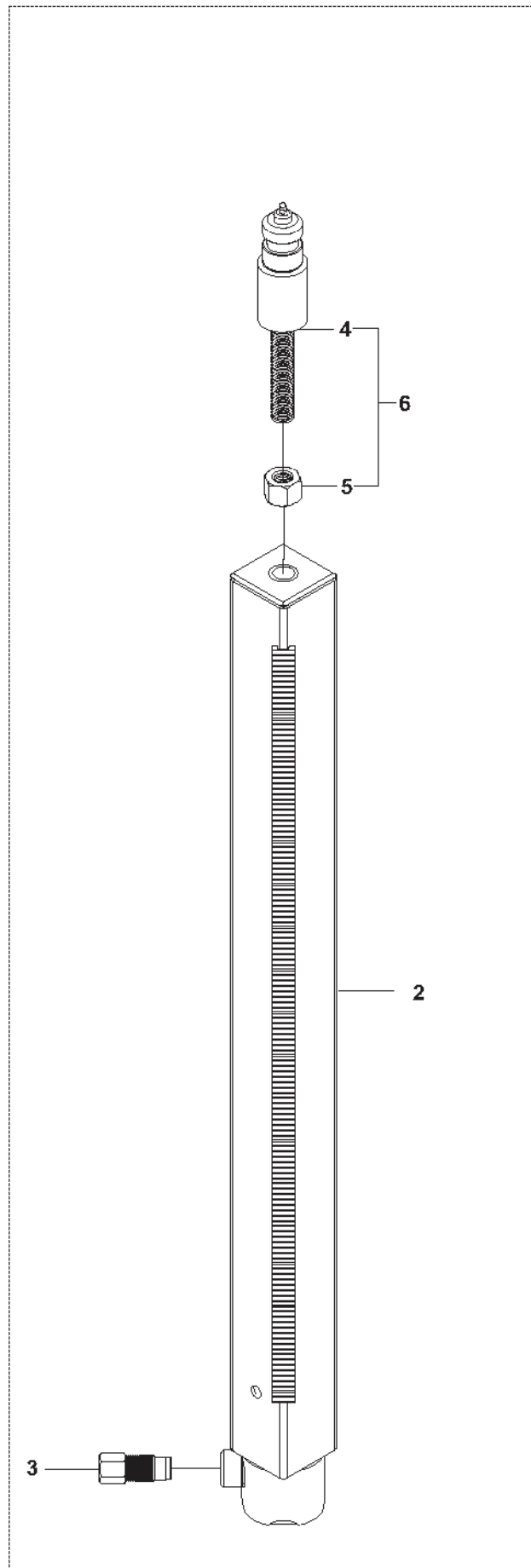
REF.	PART NO.	DESCRIPTION	REMARK	QTY.	KIT
1	504908301	CASE	Incl 2, 6-33 and 2-11 on Page F2	1	
2	504908328	SHREDDER CASE		1	
3	531140897	LEVEL		1	
4	531140898	LEVEL		1	
5	504908322	CASE		1	
6	504908321	CASE		1	
7	504908324	CASE	Incl. 10, 11	8	
8	504908325	CASE		1	
9	504903601	SCREW	Incl. 12-14	1	
10	504711901	WASHER		1	
11	504908326	PIN		4	
12	504711801	SHAFT		1	
13	504908313	CASE		1	
14	504908314	CASE		1	
15	504908317	CASE		1	
16	504908316	CASE		1	
17	504908315	CASE		1	
18	504908319	CASE		1	
19	504908318	CASE		1	
20	504908337	SHREDDER CASE	Fitting for Autofeed, not included	1	
21	582893001	GEAR WHEEL SHAFT		1	
22	504908336	CASE		1	
23	504600401	GEAR WHEEL		1	
24	504908305	CASE		1	
25	504908601	GEAR WHEEL SHAFT		1	
26	504908307	CASE		2	
27	504908312	SHREDDER CASE		8	
28	504908308	CASE		4	
29	504908309	CASE		4	
30	504908310	CASE		4	
31	504908327	CASE		1	

F2 DS70 GYRO



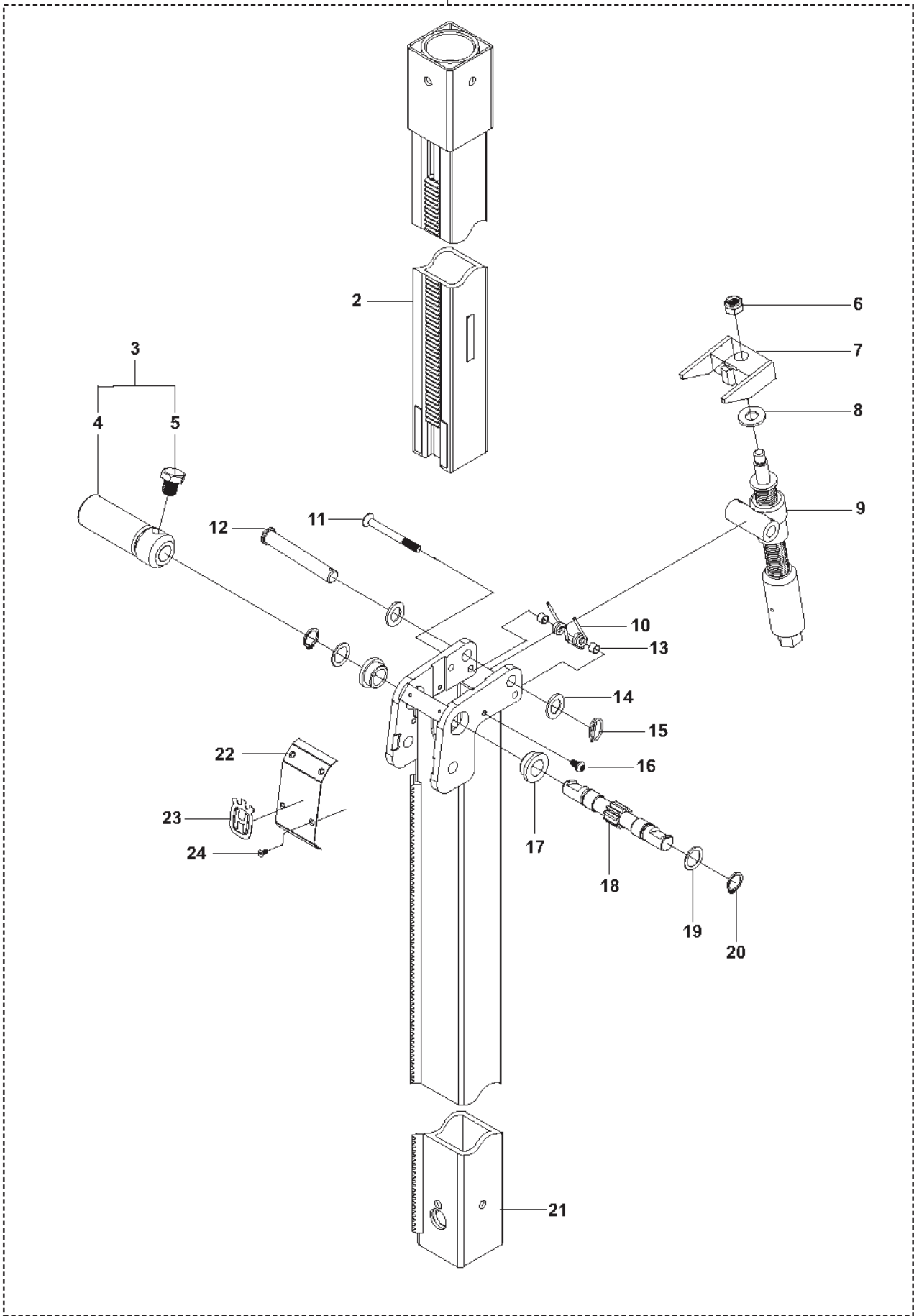
REF.	PART NO.	DESCRIPTION	REMARK	QTY.	KIT
1	504908301	CASE	Incl. 2-11 and 2, 6-33 on Page F1	1	
2	504908329	CASE		1	
3	504908332	SHREDDER CASE		2	
4	531140658	SCREW		8	
5	504908330	HANDLE		1	
6	531140685	SCREW		2	
7	531140686	SCREW		2	
8	531140630	NUT		2	
9	504908334	CASE		6	
10	504908331	CASE		1	
11	504021001	DECAL		1	

C DS70 GYRO



REF.	PART NO.	DESCRIPTION	REMARK	QTY.	KIT
1	522711501	COLUMN	Incl 2-6	1	
2	504908402	COLUMN		1	
3	504908405	COLUMN		1	
4	506400607	SCREW		1	
5	531140644	NUT		1	
6	506400605	SCREW		1	

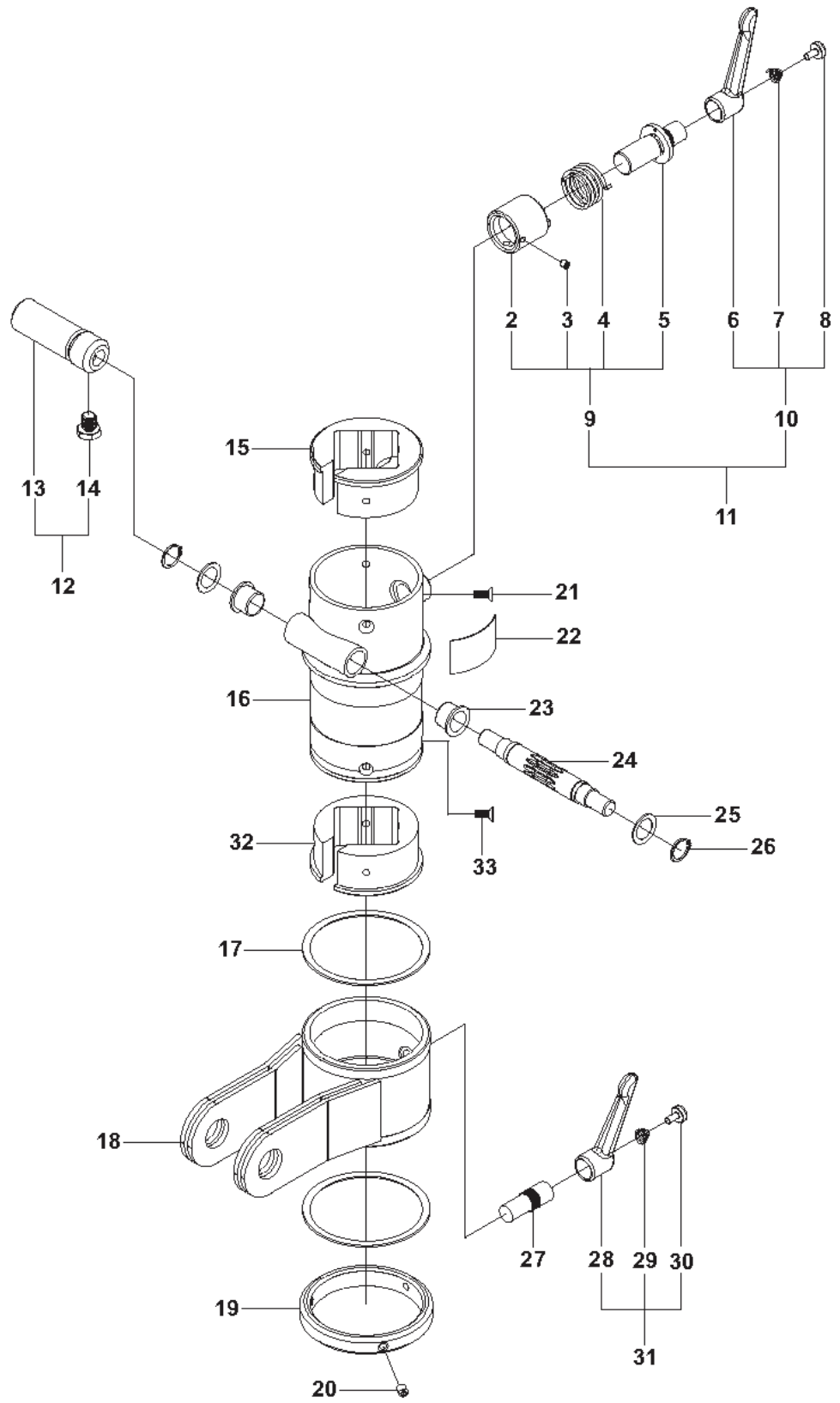
A DS70 GYRO



REF.	PART NO.	DESCRIPTION	REMARK	QTY.	KIT
1	504908501	COLUMN	Incl 2-34	1	
2	522987401	TUBE		1	
3	522948901	FEED HANDLE	Incl 4-5	1	
4	525862201	HANDLE		1	
5	522955001	SCREW		1	
6	531140614	NUT		1	
7	522982801	FORK		1	
8	522982701	WEAR WASHER		1	
9	522982601	HANDLE		1	
10	522855501	SPRING		1	
11	522987601	SCREW		1	
12	522986801	AXLE		1	
13	522986701	SLEEVE		2	
14	531140611	SPACER		2	
15	574220501	SPRINT		1	
16	531119510	SCREW		2	
17	522986901	BEARING BUSH		2	
18	522830801	GEAR WHEEL SHAFT		1	
19	574361301	WASHER		2	
20	504908335	CASE		2	
21	522987501	TUBE		1	
22	522999001	PLATE		1	
23	522998401	DECAL		1	
24	522997601	SCREW		4	

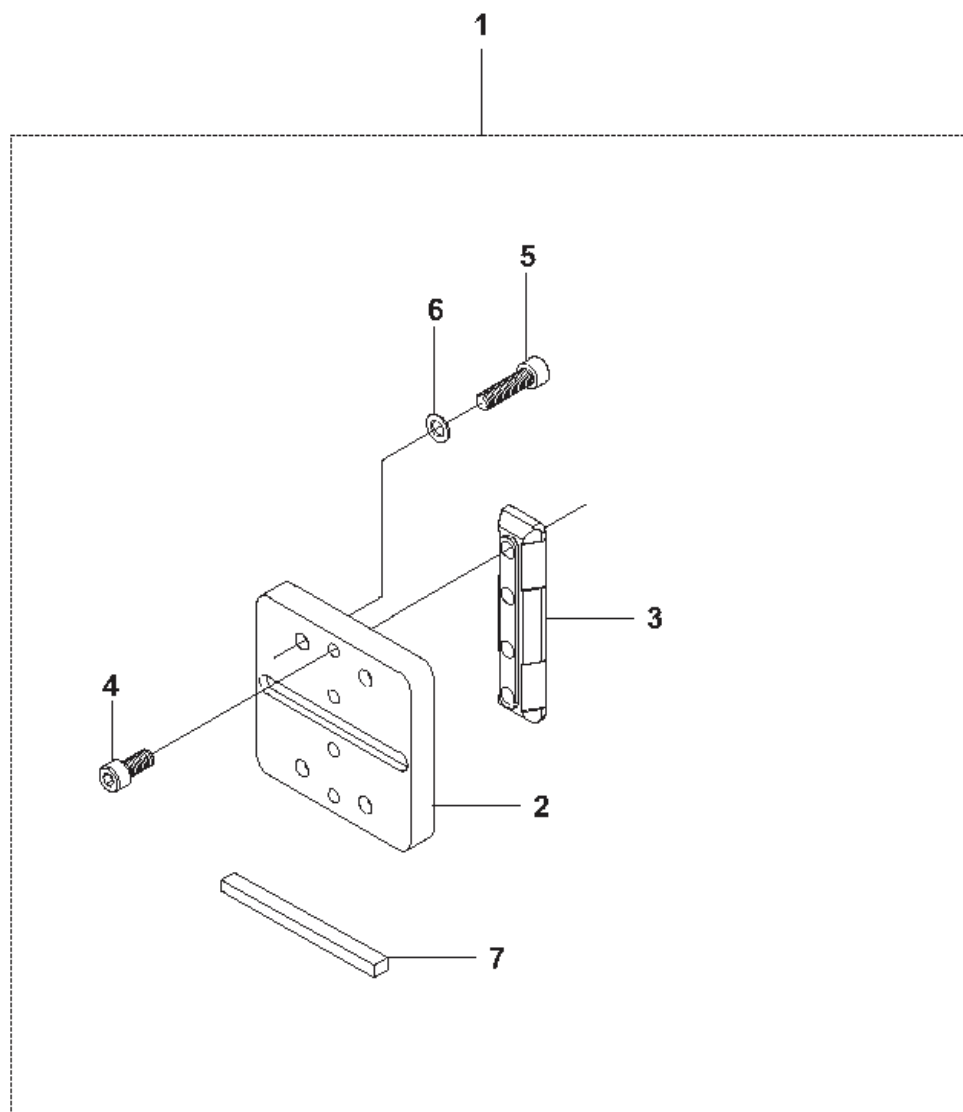
D DS70 GYRO

1



REF.	PART NO.	DESCRIPTION	REMARK	QTY.	KIT
1	504908801	BRACKET GYRO	Incl. 2-37 and Page E	1	
2	531140764	RETAINER		1	
3	531140657	STOP SCREW		2	
4	531140656	SPRING		1	
5	531140763	RETAINER		1	
6	504018102	HANDLE		1	
7	501384702	SPRING		1	
8	501386002	SCREW		1	
9	506407801	SPRING RETAINER	Incl. 2-5	1	
10	501384604	HANDLE	Incl. 32-34	1	
11	506407714	KNOB	Incl. 9-10	1	
12	522948901	FEED HANDLE	Incl. 13-14	1	
13	525862201	HANDLE		1	
14	522955001	SCREW		1	
15	522546402	BUSHING		1	
16	522949401	BRACKET		1	
17	522723001	WASHER		2	
18	522949101	RETAINER		1	
19	522637201	LOCKING RING		1	
20	531140670	STOP SCREW		3	
21	531140658	SCREW		4	
22	544128501	LABEL		1	
23	531140677	BEARING		2	
24	522869401	GEAR WHEEL SHAFT		1	
25	531140767	WASHER		2	
26	531140766	FUSE		2	
27	525862401	ADAPTER		1	
28	504018102	HANDLE		1	
29	501384702	SPRING		1	
30	501386002	SCREW		1	
31	501384604	HANDLE	Incl. 32-34	1	
32	522546401	BUSHING		1	
33	531140661	SCREW		4	

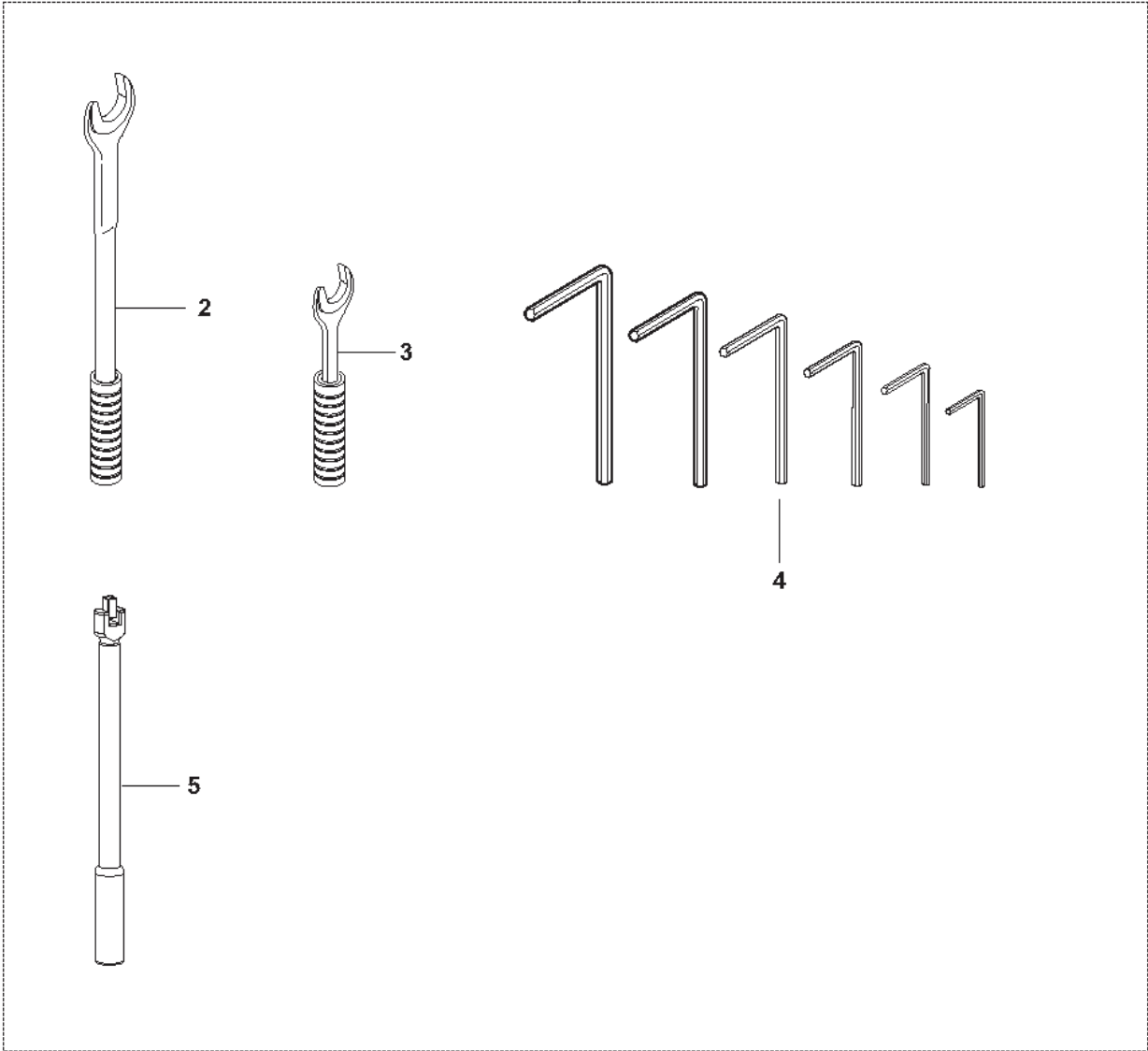
G DS70 GYRO



REF.	PART NO.	DESCRIPTION	REMARK	QTY.	KIT
1	506400807	BRACKET	Incl. 2-6	1	
2	504719201	BRACKET		1	
3	504908333	WEDGE		1	
4	504696301	SCREW		4	
5	531140659	SCREW		4	
6	531140712	WASHER		4	
7	510114001	WEDGE		1	

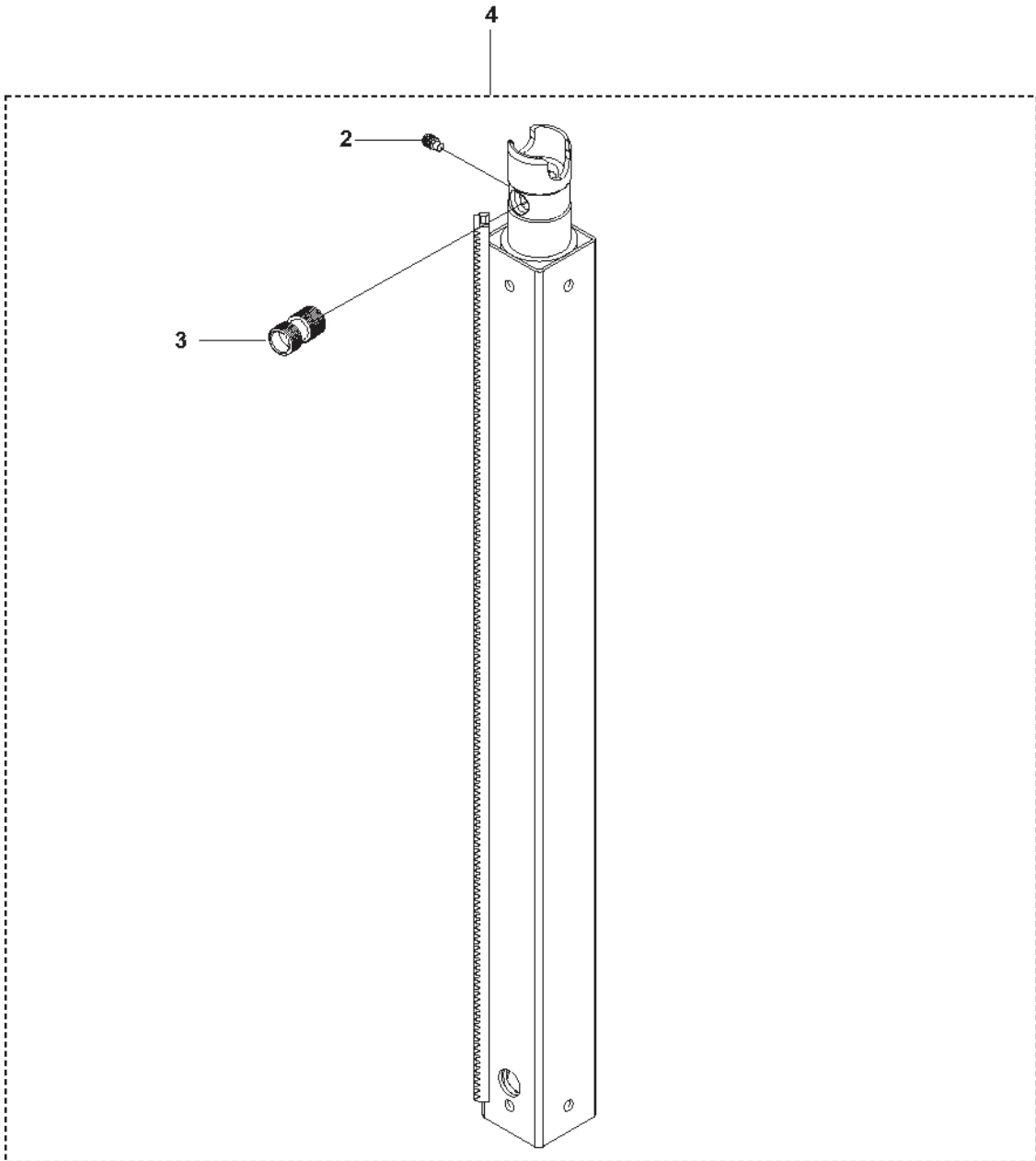
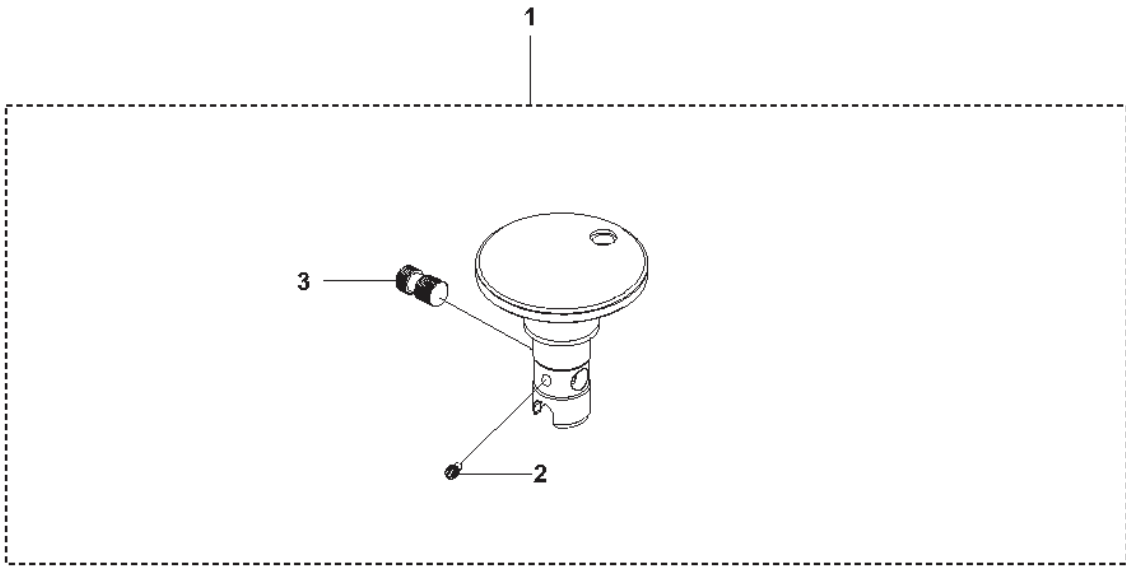
K DS70 GYRO

1



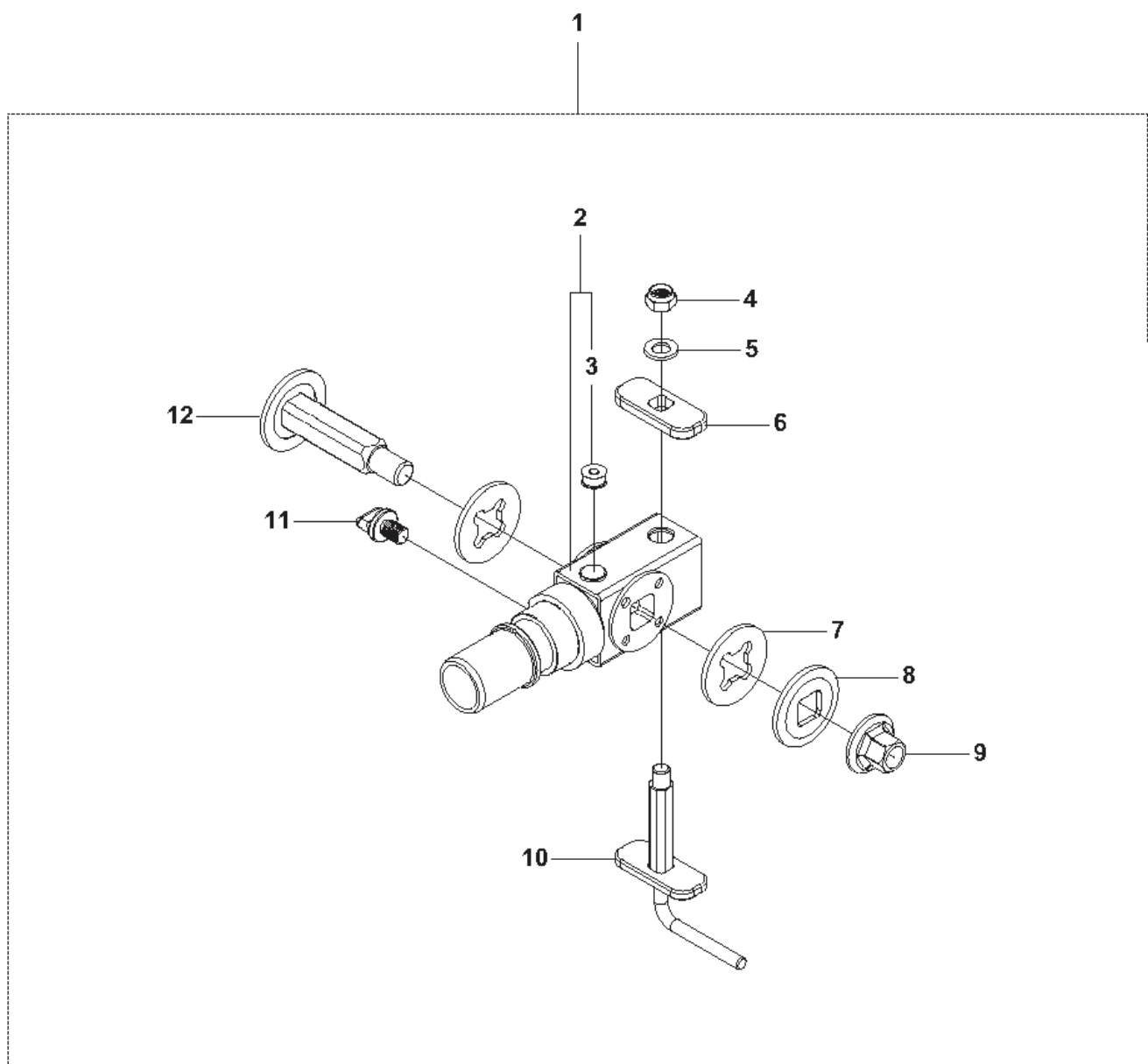
REF.	PART NO.	DESCRIPTION	REMARK	QTY.	KIT
1	525862901	TOOL KIT	Incl. 2-6	1	
2	544222701	SPANNER		1	
3	544222702	SPANNER		1	
4	574220501	SPRINT		1	
5	574204201	HANDLE		1	

J DS70 GYRO



REF.	PART NO.	DESCRIPTION	REMARK	QTY.	KIT
1	504908901	PLATE	Incl. 2-3	1	
2	525862801	SCREW		1	
3	522956201	SCREW		1	
4	504908576	COLUMN	Incl. 2-3	1	

E DS70 GYRO



REF.	PART NO.	DESCRIPTION	REMARK	QTY.	KIT
1	504908801	BRACKET GYRO	Incl. 2-11 and Page D	1	
2	522862501	OIL PLUG	Incl. 3	1	
3	531140897	LEVEL		2	
4	531140600	NUT		1	
5	531140722	WASHER		1	
6	522822101	WASHER		1	
7	522949701	WASHER		2	
8	522822201	WASHER		1	
9	522852701	NUT		1	
10	522852801	LOCKING HANDLE		1	
11	504909105	PLATE		1	
12	522899701	PIVOT		1	