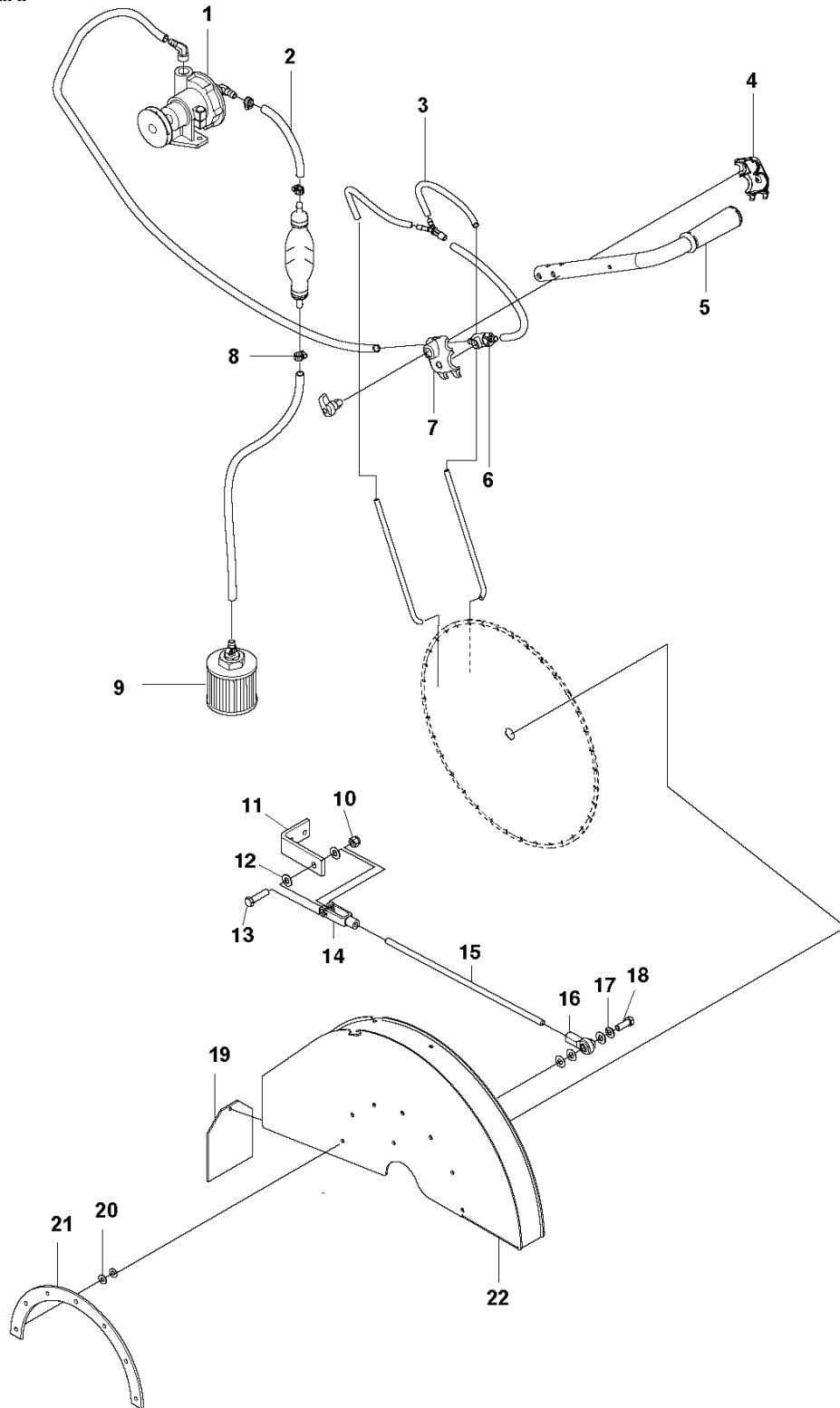


MS 610, 2018-08

---

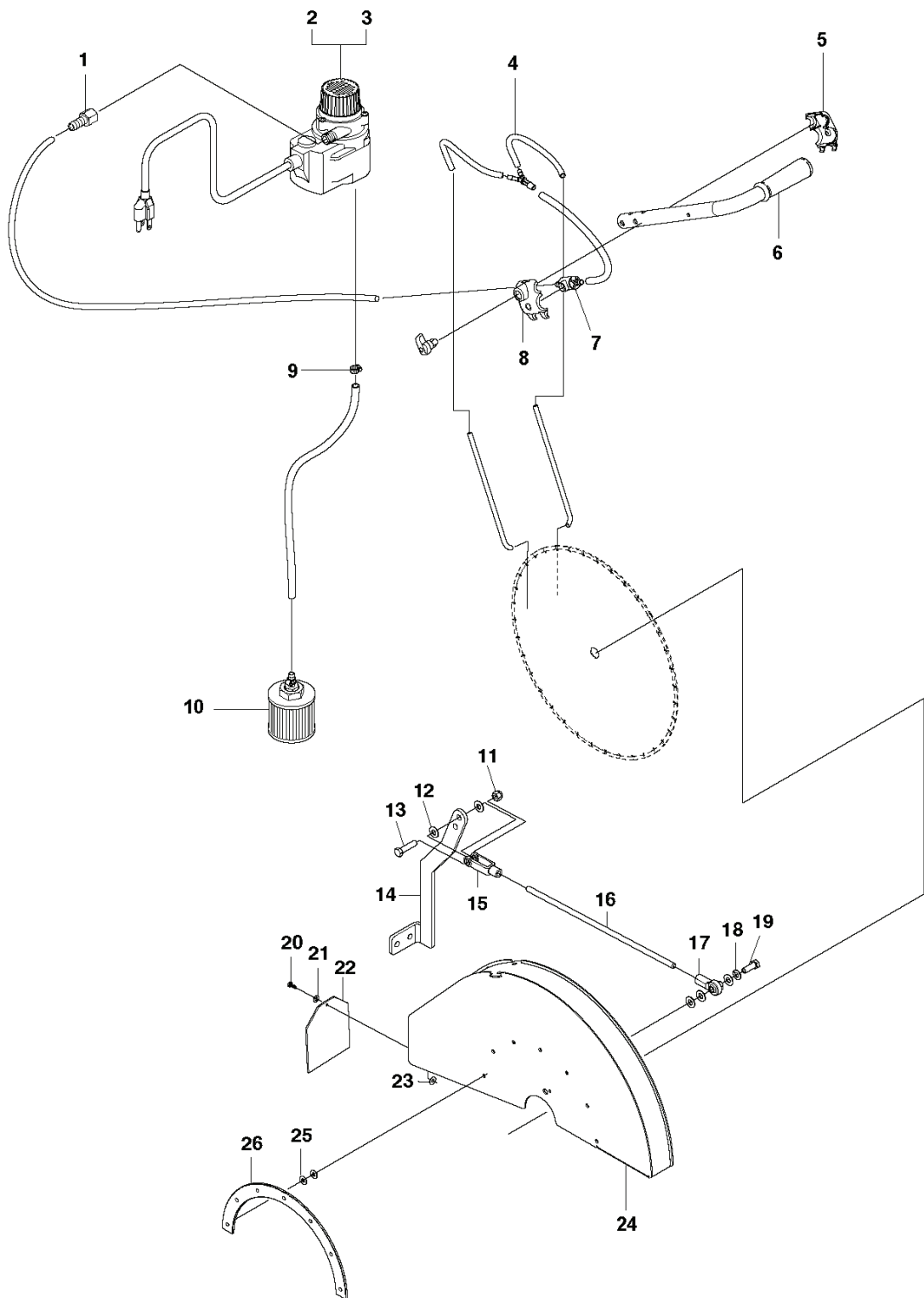
# **SPARE PARTS LIST**

**A** MS610  
Blade Guard



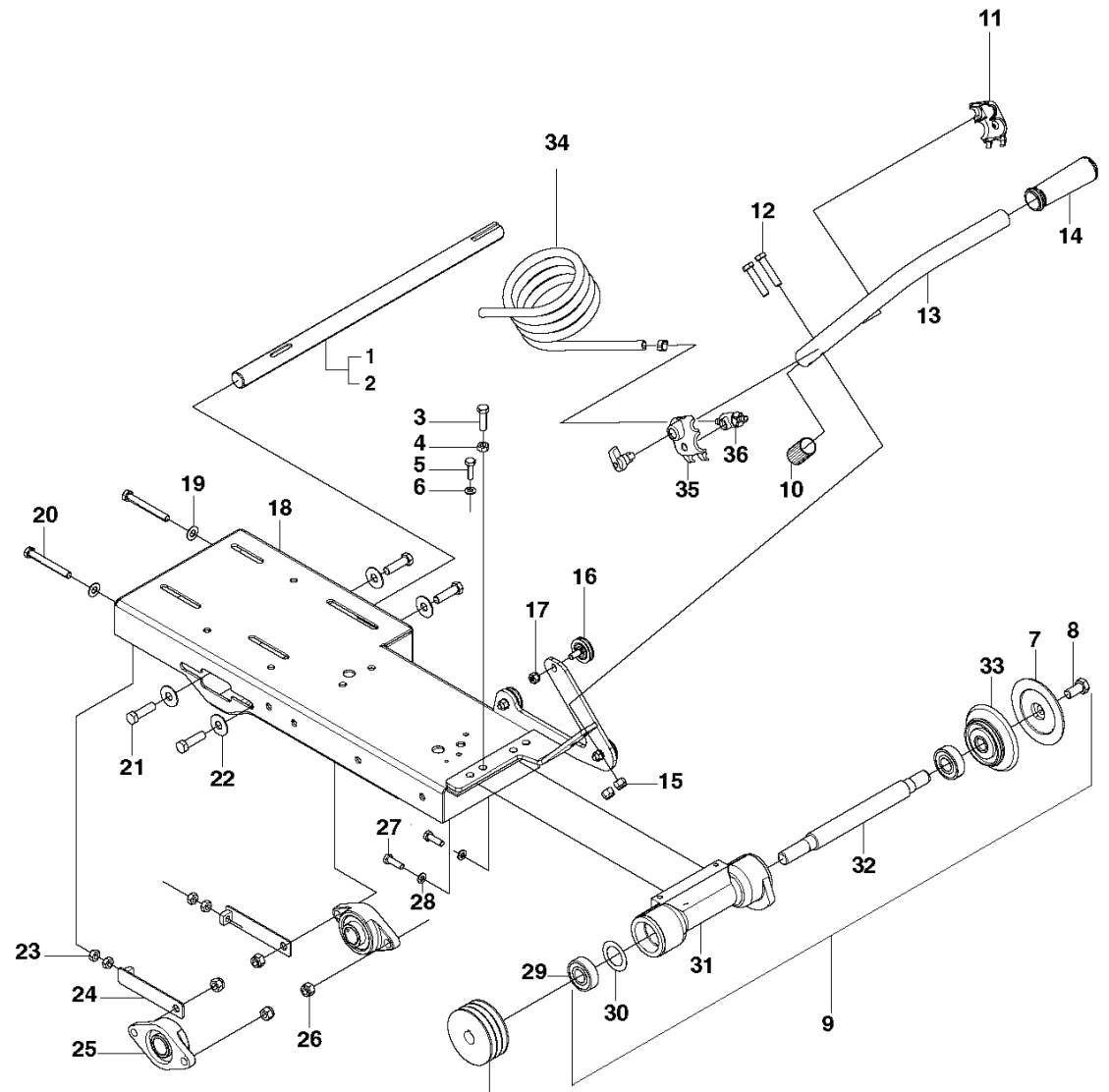
REF.	PART NO.	DESCRIPTION	REMARK	QTY.	KIT
1	542177317	PUMP		1	
2	593824201	TUBING		1	
3	541200707	TUBING	610mm	1	
4	585246101	COVER		1	
5	542139568	GRIP		1	
6	586695101	VALVE ASSY		1	
7	585246201	COVER		1	
8	542020049	HOSE CLAMP		5	
9	585520901	STRAINER		1	
10	539976979	NUT		1	
11	542205349	VALVE		1	
12	539990122	WASHER		2	
13	542020377	SCREW		1	
14	542060460	YOKE		1	
15	510179401	LINK		1	
16	510179301	ROD END		1	
17	539990118	WASHER		1	
18	539976941	SCREW		1	
19	542169365	SPLASH GUARD		1	
20	539990055	WASHER		14	
21	505407702	RING		1	
22	589737401	BLADE GUARD		1	

**B** MS610 Electric  
Blade Guard



REF.	PART NO.	DESCRIPTION	REMARK	QTY.	KIT
1	542030654	INSERT		1	
2	542032088	COLLECTOR	115V/50-60Hz	1	
3	502621303	PUMP	230V/50-60Hz	1	
4	541200707	TUBING	610mm	1	
5	585246101	COVER		1	
6	542139568	GRIP		1	
7	586695101	VALVE ASSY		1	
8	585246201	COVER		1	
9	542020049	HOSE CLAMP		5	
10	585520901	STRAINER		1	
11	539976979	NUT		1	
12	539990122	WASHER		2	
13	542020377	SCREW		1	
14	510179604	BRACKET		1	
15	542060460	YOKE		1	
16	510179401	LINK		1	
17	510179301	ROD END		1	
18	539990118	WASHER		1	
19	539976941	SCREW		1	
20	542169365	SPLASH GUARD		1	
21	542020739	WASHER		1	
22	542169365	SPLASH GUARD		1	
23	505630401	NUT		1	
24	589737401	BLADE GUARD	"20"	1	
25	539990055	WASHER		14	
26	505407702	RING		1	

**C** MS610 Electric  
Head Platform

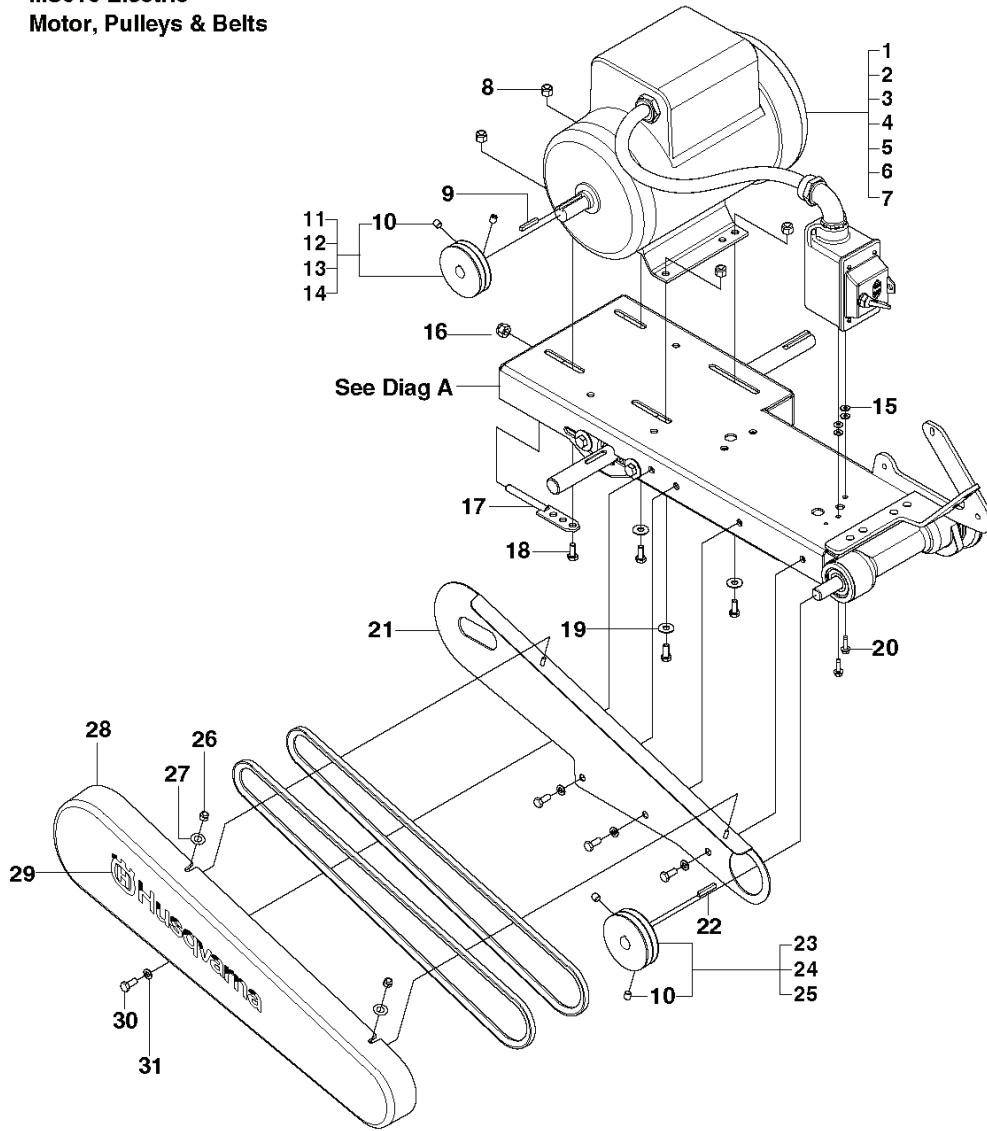


See Diags F, G

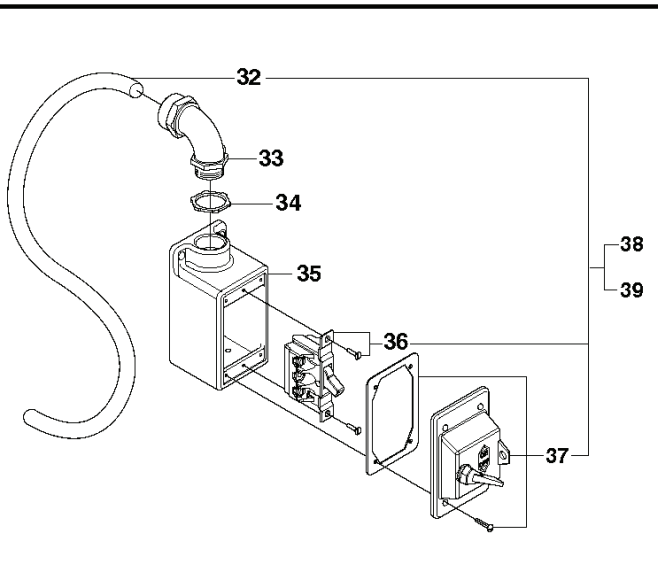
REF.	PART NO.	DESCRIPTION	REMARK	QTY.	KIT
1	510166001	SHAFT	Electric	1	
2	510166002	SHAFT	Gas	1	
3	542165298	SCREW		2	
4	542020171	NUT		2	
5	504736507	PULLEY		2	
6	539990187	WASHER		4	
7	542030951	FLANGE		1	9
8	542020378	SCREW		1	9
9	542205437	BLADE SHAFT		1	
10	537204201	CONDUIT		1	
11	585246101	COVER		1	
12	539990730	SCREW		2	
13	510260301	HANDLE		1	
14	542139568	GRIP		1	
15	539976979	NUT		2	
16	581240201	WHEEL		1	
17	542032366	NUT		3	
18	510161907	BASE		1	
19	539990122	WASHER		2	
20	539300766	BOLT		2	
21	541204969	BOLT		4	
22	505731501	WASHER		4	
23	539990130	NUT		4	
24	574244201	BRACKET		2	
25	510262101	BEARING		2	
26	541205726	NUT		4	
27	504736507	PULLEY		2	
28	539990188	WASHER		2	
29	542139273	BALL BEARING		2	9
30	542030004	SPRING WASHER		1	9
31	542205342	HOUSING		1	9
32	542195017	BLADE SHAFT		1	9
33	542177973	COLLAR		1	9
34	523120304	HOSE		1	
35	585246201	COVER		1	
36	586695101	VALVE ASSY		1	



**F** MS610 Electric  
Motor, Pulleys & Belts



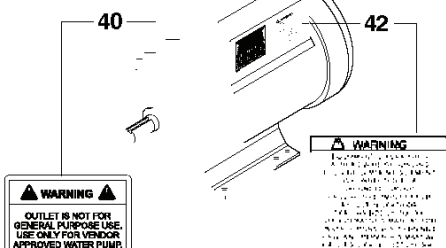
See Diag A



38

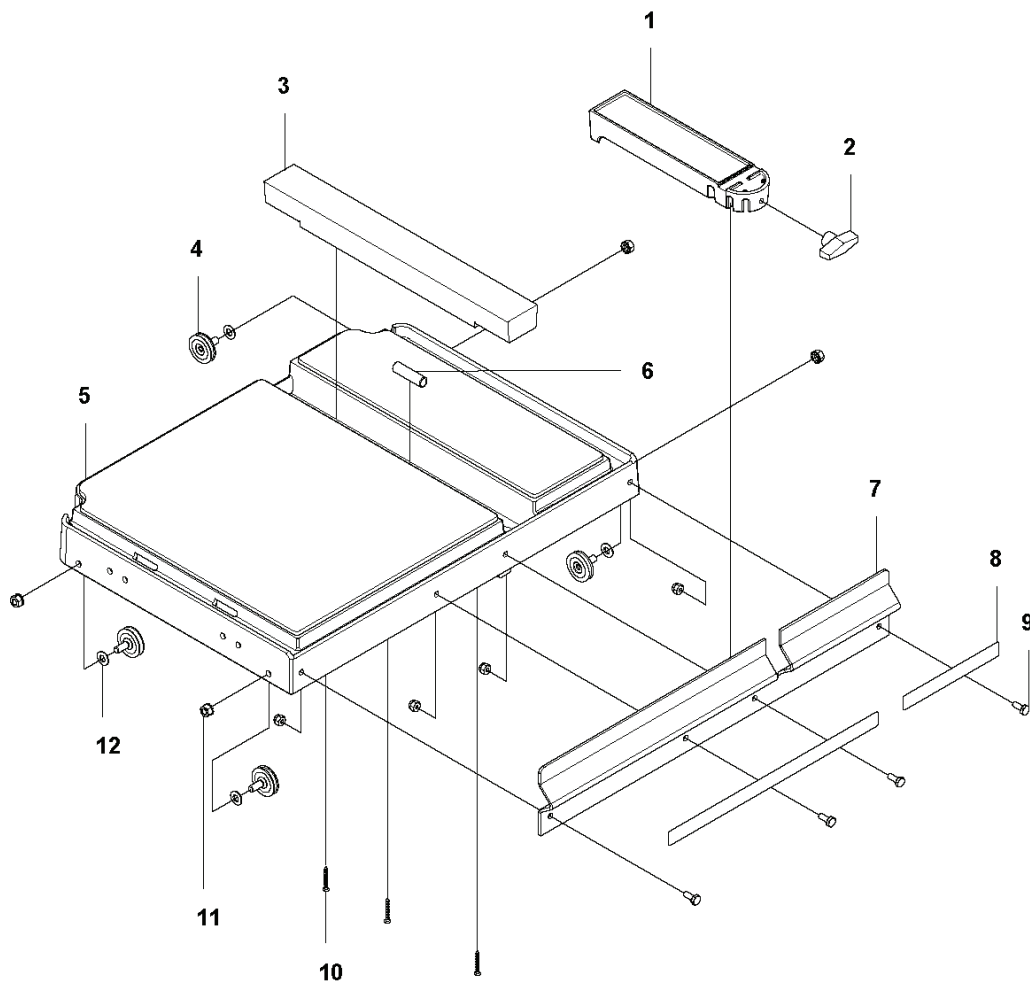
39

MODE MOTOR PERFORMANCE DEVIATES ON PROPER VOLTAGE. EXCEEDING THESE VALUES MAY CAUSE SMALLER PULSES VOLTAGE TO MOTOR UNDER LOAD. USE EXTENSION CORDS NO SMALLER THAN INDICATED BELOW.			
MODE	1/2" DIA	3/4" DIA	1" DIA
1/2"	115-120	115-120	115-120
3/4"	115-120	115-120	115-120
1"	115-120	115-120	115-120



REF.	PART NO.	DESCRIPTION	REMARK	QTY.	KIT
1	542169656	MOTOR	3HP 60Hz-1Ph	1	
2	542169622	MOTOR	5HP 60Hz-1Ph	1	
3	542000806	MOTOR	3HP 60Hz-3Ph	1	
4	542000923	MOTOR	5HP 60Hz-3Ph	1	
5	542000925	MOTOR	5HP 60Hz-3Ph 575V	1	
6	542162042	MOTOR	5HP 50Hz-1Ph	1	
7	542170310	MOTOR	5HP 50Hz-3Ph	1	
8	539976979	NUT		4	
9	542020062	KEYBOARD		1	
10	542020550	SCREW		4	11, 12, 13, 14, 22, 23, 24
11	542030906	PULLEY	"20" -60Hz"	1	11
12	542060139	PULLEY	"20" -50Hz"	1	12
13	542030931	PULLEY 2G3V3.0 - 875 W/SS	"14" -60Hz"	1	13
14	542030902	PULLEY	"14" -50Hz 2-Piece Pulley"	1	14
15	541205764	WASHER		4	
16	539976979	NUT		1	
17	542177696	BOLT		1	
18	539990563	SCREW		3	
19	539990517	WASHER		4	
20	539990580	SCREW		2	
21	510154301	MANIFOLD		1	
22	542020062	KEYBOARD		2	
23	542030921	PULLEY 2G3V3.35 - .75 W/SS	"14-20" -60Hz"	1	23
24	542060106	PULLEY	"20" -50Hz"	1	24
25	542060105	PULLEY	"14" -50Hz 2-Piece Pulley"	1	25
26	539976978	NUT		2	
27	541205764	WASHER		2	
28	542205380	BELT GUARD		1	
29	542190733	DECAL		1	
30	539976934	SCREW		4	
31	539990187	WASHER		4	
32	542180809	CABLE		1	38, 39
33	542180815	CONNECTOR		1	38, 39
34	542176953	LOCK NUT		1	38, 39
35	542180814	SWITCH		1	38, 39
36	542161581	SWITCH	1-Phase Only	1	38
37	542032541	COVER		1	38, 39
38	542180810	SWITCH	Compl (1-Phase)	1	38
39	542030071	SWITCH, ASSY DUST PROOF W/WIRE	Compl (3-Phase)	1	39
40	542189247	DECAL		1	
41	542046327	DECAL		1	
42	542046326	DECAL		1	

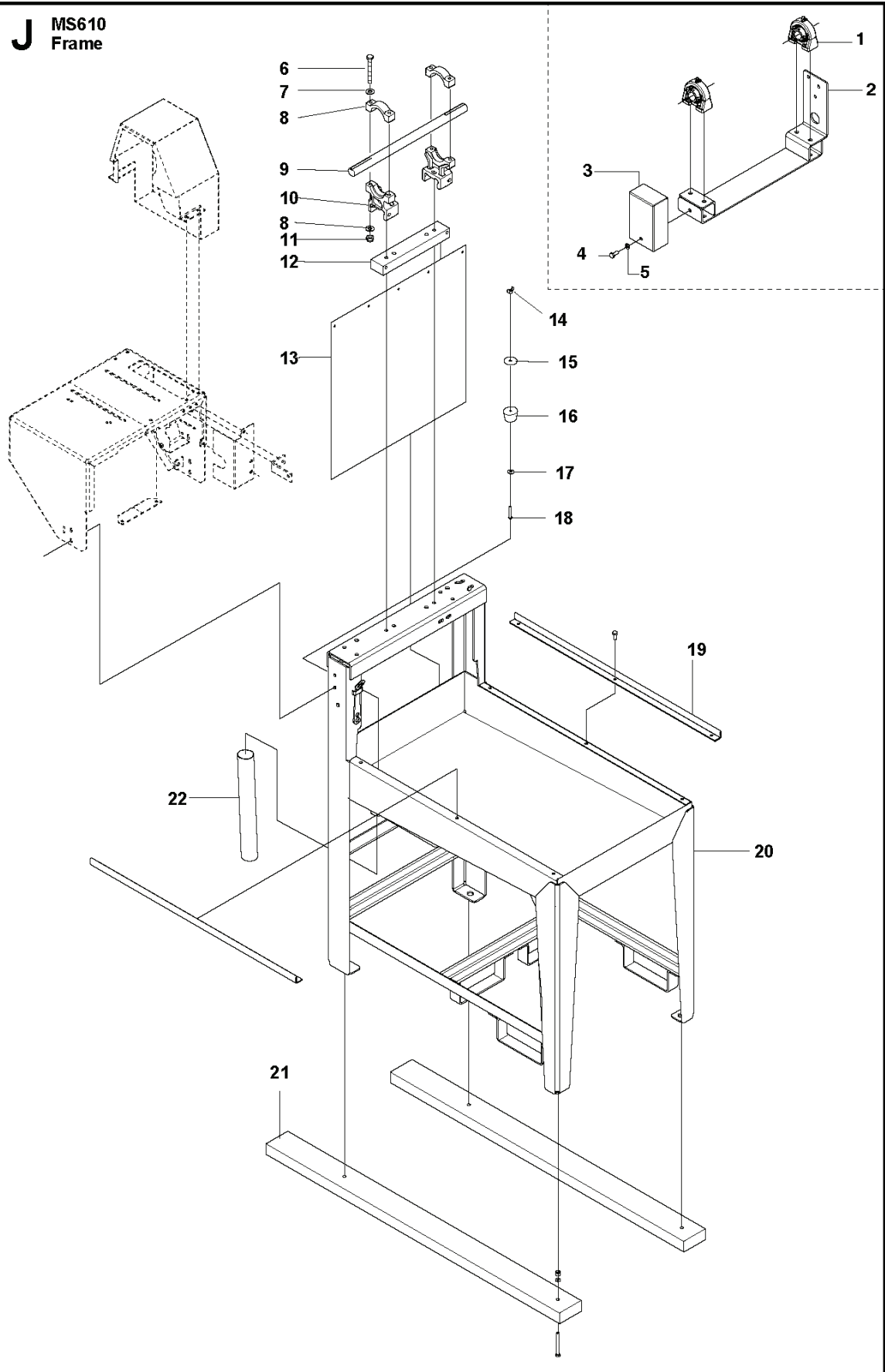
**H** MS610  
Cart



---

REF.	PART NO.	DESCRIPTION	REMARK	QTY.	KIT
1	542030355	GUIDE		1	
2	542180987	KNOB		1	
3	542177894	INSERT		1	
4	523075201	BEARING		4	
5	510417505	STOP		1	
6	542170038	TUBE		1	
7	542186057	CART		1	
8	542177976	SPRING		1	
9	542020301	SCREW		4	
10	542177904	SCREW		3	
11	539976978	NUT		4	
12	539990188	WASHER		4	

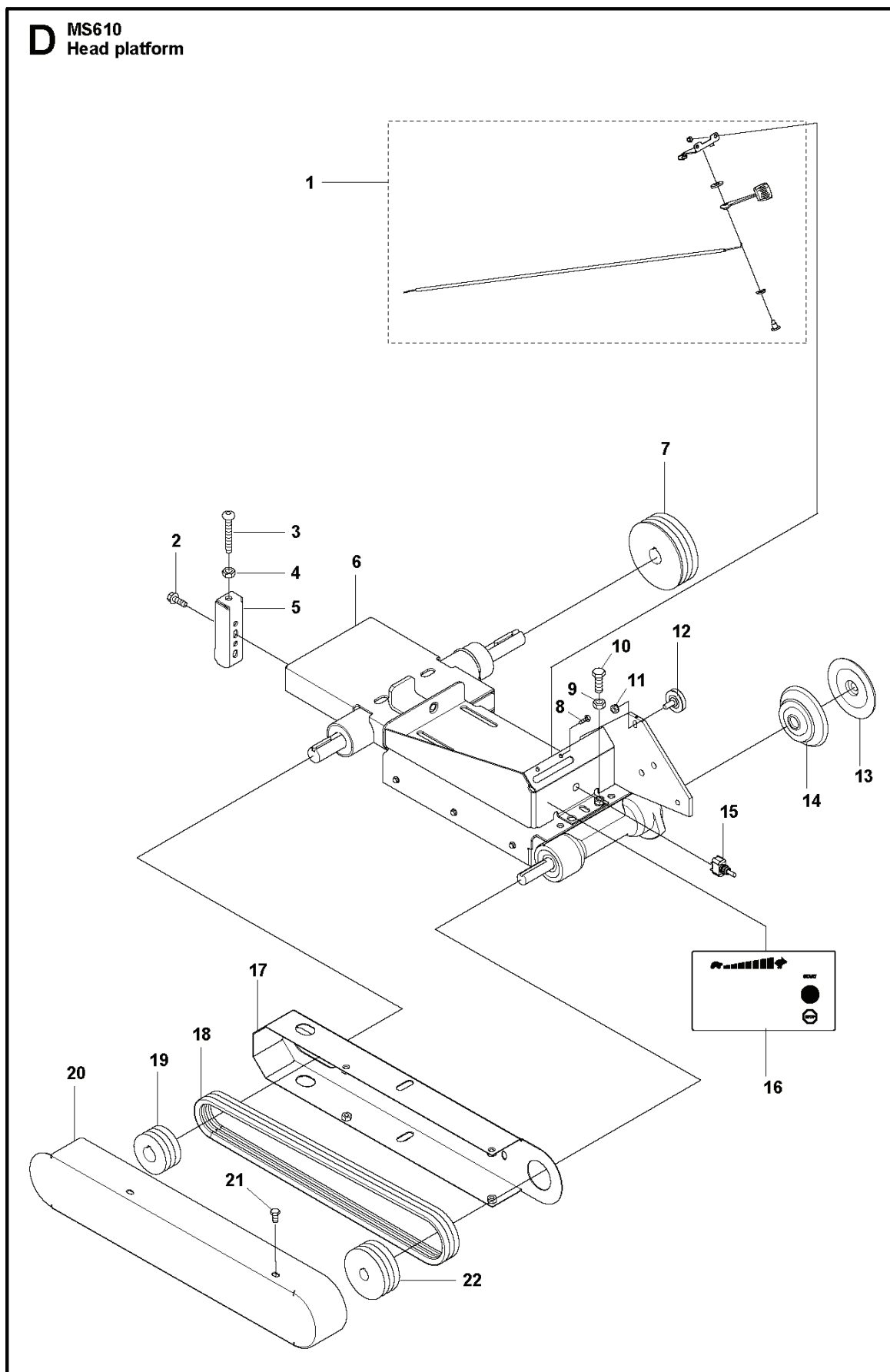
**J** MS610  
Frame



---

REF.	PART NO.	DESCRIPTION	REMARK	QTY.	KIT
1	542045241	BEARING		1	
2	510179011	PIVOT		1	
3	510179108	GUARD		1	
4	539976934	SCREW		1	
5	539990187	WASHER		1	
6	505721901	BOLT		4	
7	539990188	WASHER		18	
8	542186256	SUPPORTING BEARING		2	
9	542195237	SHAFT		1	
10	542186254	SUPPORTING BEARING		2	
11	539990717	NUT		8	
12	589335101	SPACER PLATE		1	
13	521950902	GUIDE BAR		1	
14	542020234	NUT		1	
15	542030393	SCREW		1	
16	542030394	TBD		1	
17	541205764	WASHER		1	
18	542020419	BOLT		1	
19	510140802	RAIL		2	
20	589335701	FRAME ASSY		1	
21	505430101	SUPPORT		2	
22	542032342	HOSE		1	

**D** MS610  
Head platform

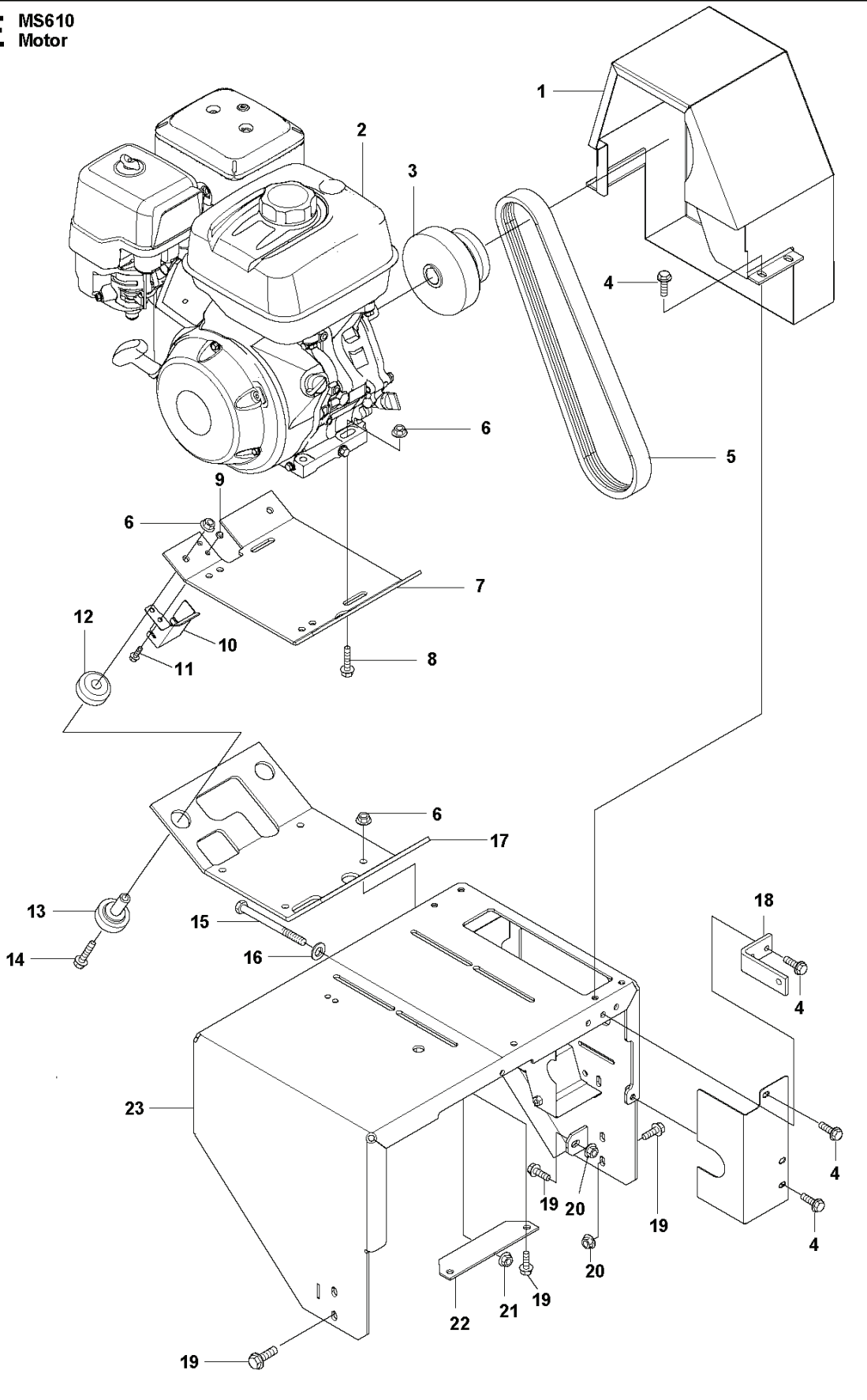


---

REF.	PART NO.	DESCRIPTION	REMARK	QTY.	KIT
1	587696901	CABLE		1	
2	585975401	SCREW EHHFM		5	
3	542206324	SCREW		1	
4	731431801	HEXAGON THIN NUT		1	
5	591200801	BRACKET		1	
6	590377101	ARM		1	
7	542195406	PULLEY		1	
8	585980501	SCREW EHHFM		2	
9	542020171	NUT		4	
10	542168133	SCREW		1	
11	542032366	NUT		3	
12	523075201	BEARING		3	
13	542030951	FLANGE		1	
14	542177973	COLLAR		1	
15	542199648	SWITCH		1	
16	592787401	DECAL		1	
17	542195232	GUIDE BAR		1	
18	542045398	V-BELT		3	
19	542139683	PULLEY		1	
20	542205346	BELT GUARD		1	
21	592858701	BOLT		4	
22	542195235	PULLEY		1	

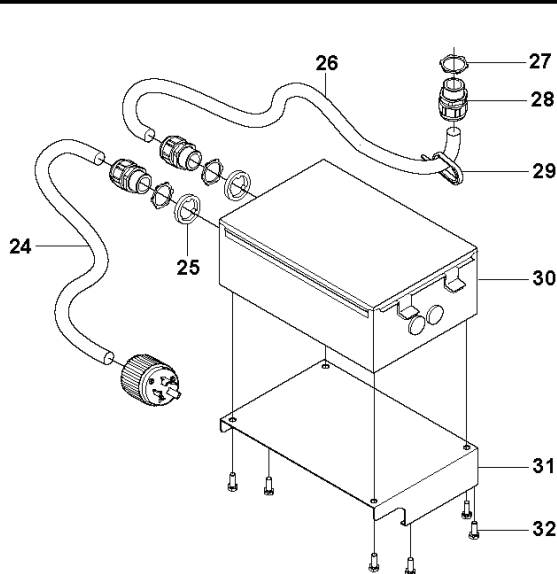
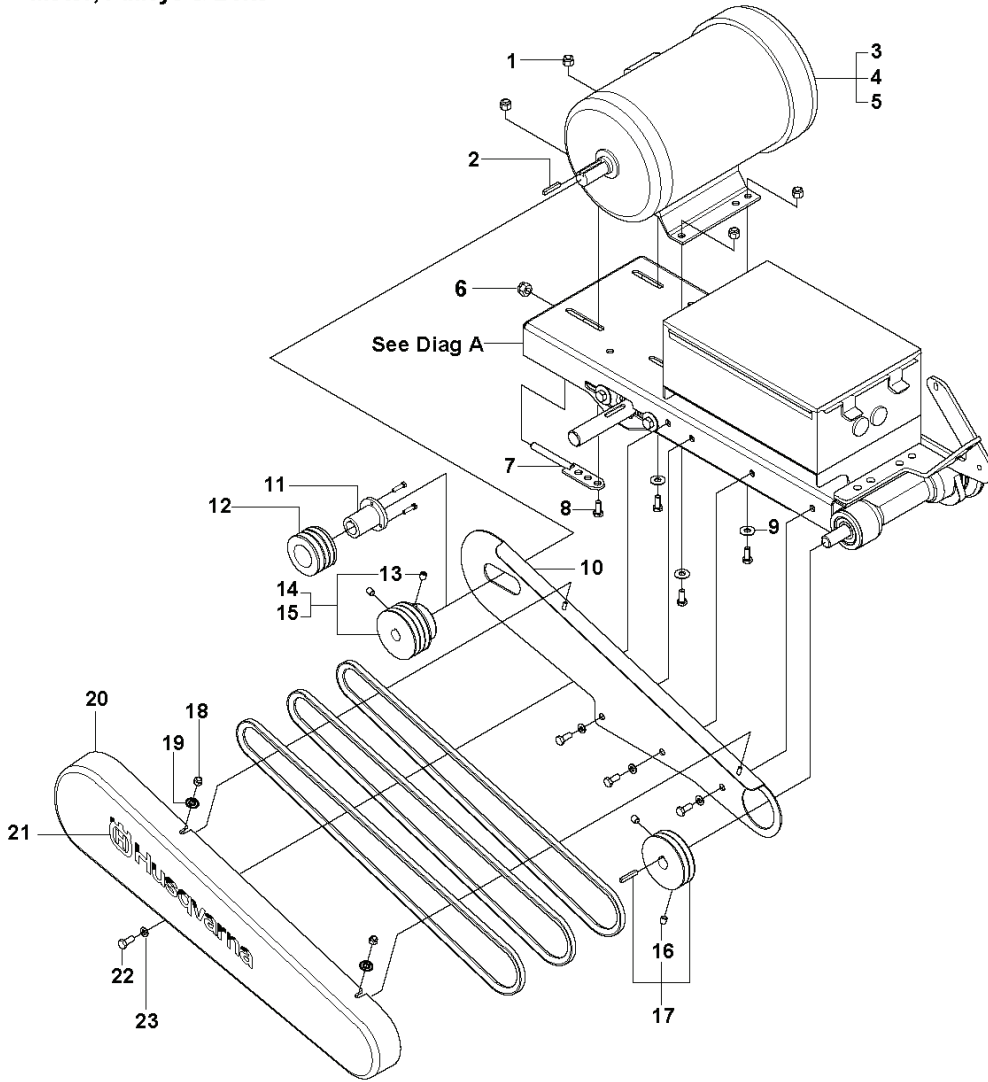


**E** MS610  
Motor

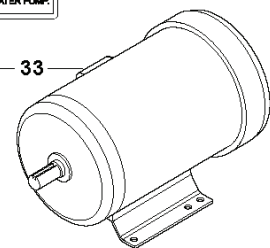


REF.	PART NO.	DESCRIPTION	REMARK	QTY.	KIT
1	590740601	BELT GUARD ASSY		1	
2	589467901	ENGINE		1	
3	542195255	CLUTCH		1	
4	585975401	SCREW EHHFM		9	
5	542190416	V-BELT		1	
6	576645705	NUT FLANGE		12	
7	590376901	BRACKET		1	
8	581548201	SCREW EHHFM		4	
9	732251601	HEXAGON LOCKING NUT		2	
10	510183201	BRACKET		1	
11	585980601	SCREW EHHFM		2	
12	542161197	ISOLATOR		2	
13	542161197	ISOLATOR		2	
14	581243301	SCREW EHHFM		4	
15	542195039	SCREW		1	
16	539990250	WASHER		1	
17	590376801	BRACKET		1	
18	542205349	VALVE		1	
19	585973101	SCREW EHHFM		6	
20	731712051	HEXAGON NUT FLANGE		6	
21	523327701	NUT		1	
22	542205347	BRACKET		1	
23	589335601	BRACKET		1	

**G MS610 Electric Motor, Pulleys & Belts**



**WARNING**  
 OUTLET IS NOT FOR  
 GENERAL PURPOSE USE.  
 USE ONLY FOR VENDOR  
 APPROVED WATER PUMP.



REF.	PART NO.	DESCRIPTION	REMARK	QTY.	KIT
1	539976979	NUT		4	
2	542020062	KEYBOARD		1	
3	542001265	MOTOR	230/460V 60Hz	1	
4	542001257	MOTOR	575V 60Hz	1	
5	542001270	MOTOR	220/380V 50Hz	1	
6	539976979	NUT		1	
7	542177696	BOLT		1	
8	539990563	SCREW		3	
9	539990517	WASHER		4	
10	510154301	MANIFOLD		1	
11	542162053	HUB	"20" -50Hz"	1	
12	542139259	PULLEY	"20" -50Hz"	1	
13	542020550	SCREW		2	14, 15
14	542030916	PULLEY	"14"	1	14
15	542030919	PULLEY	"20" -60Hz"	1	15
16	542020541	KEY		2	17
17	542195236	PULLEY		1	17
18	539976978	NUT		2	
19	541205764	WASHER		2	
20	542205380	BELT GUARD		1	
21	542190733	DECAL		1	
22	539976934	SCREW		4	
23	539990187	WASHER		4	
24	542182018	CORD	3.17'	1	
25	542176933	SEALING RING		2	
26	542182018	CORD	3.17'	1	
27	542176953	LOCK NUT		3	
28	542182024	CONNECTOR		3	
29	542197101	CABLE		1	
30	502472601	BOX		1	
31	504104002	BRACKET		1	
32	539990580	SCREW		8	
33	542189247	DECAL		1	