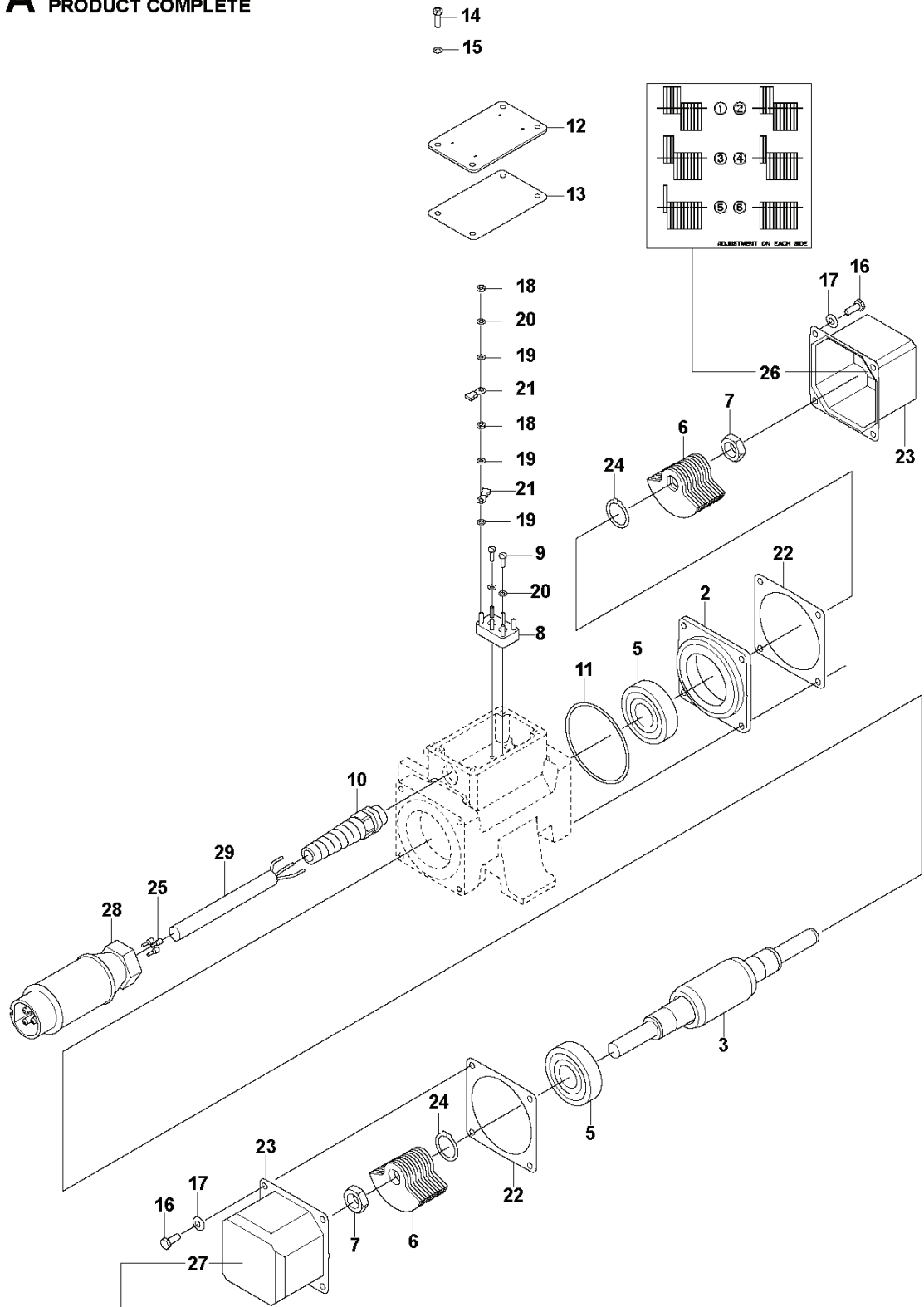


ER207B, ER407B, ER507B, 2021-10

---

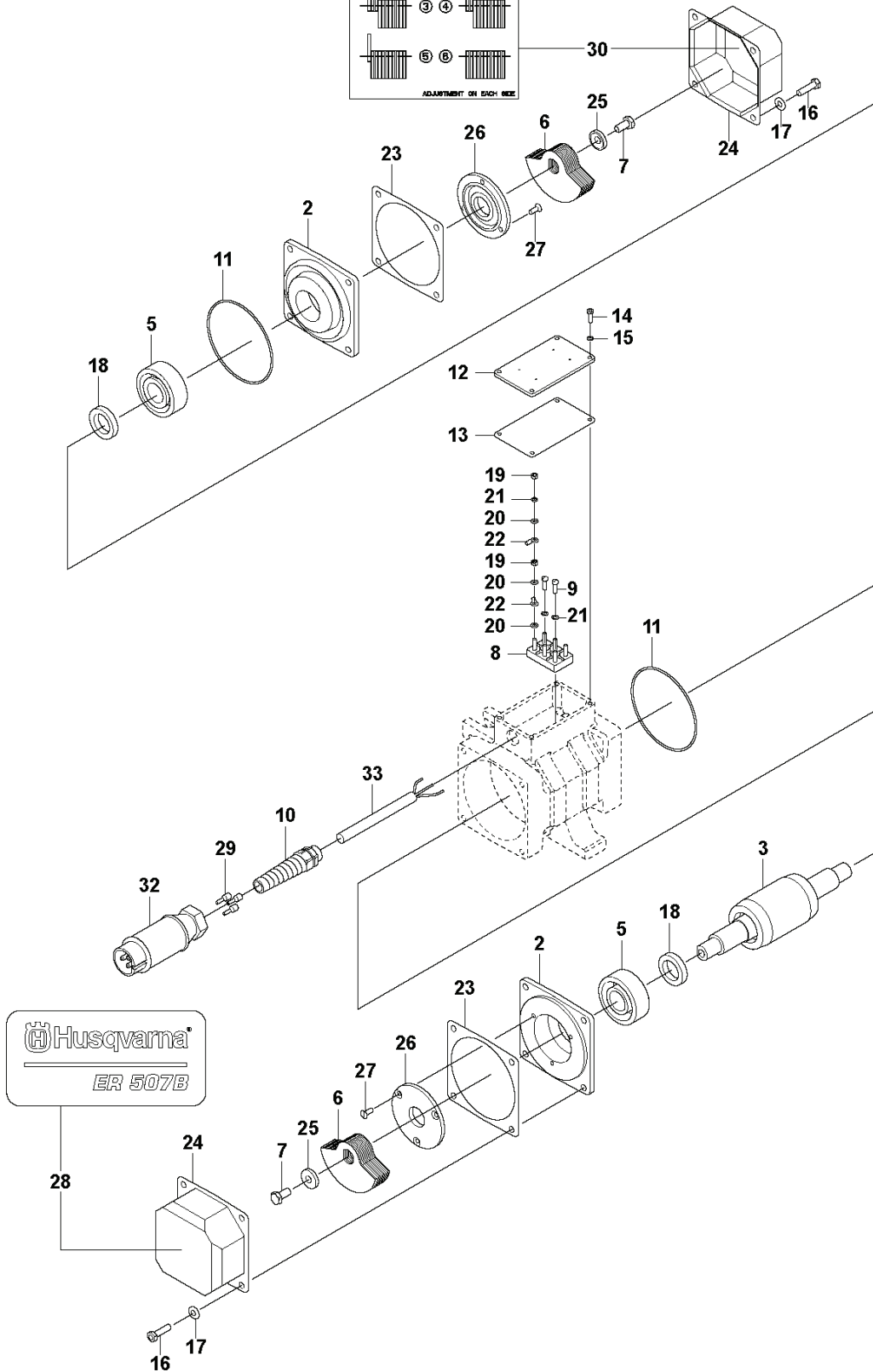
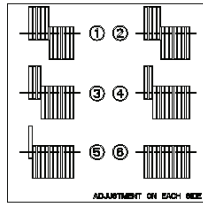
# **SPARE PARTS LIST**

**A** ER207B 200HZ  
PRODUCT COMPLETE



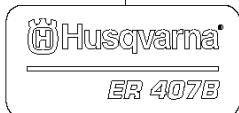
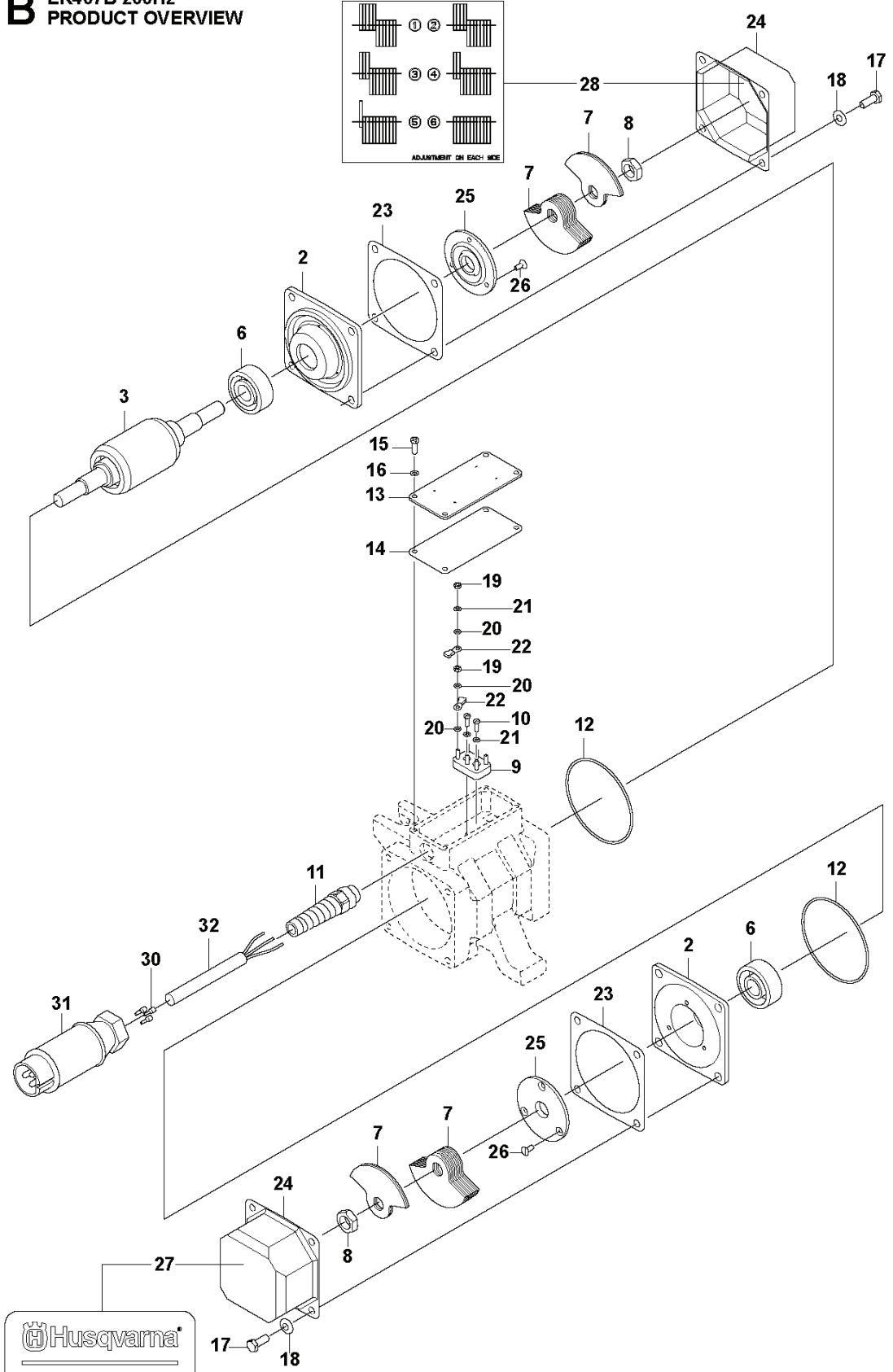
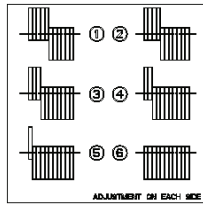
REF.	PART NO.	DESCRIPTION	REMARK	QTY.	KIT
2	595150701	FLANGE		1	
3	595152801	ROTOR		1	
5	594271801	BALL BEARING	6305-ZZ/C3	2	
6	595451101	EXCENTER		22	
7	594792101	NUT	M16x1.5 ISO 4035 FZB	2	
8	594255501	CONNECTING BOX		1	
9	595180301	SCREW	M4x12 ISO1207 4.8 ZnB	2	
10	594792201	NUT		1	
11	595145501	O-RING	82.3x1.78 NBR 70 Shore	1	
12	595146301	COVER		1	
13	595444801	SEALING		1	
14	595053601	SCREW	M5x16 ISO 4014 8.8 A2K	4	
15	594273501	SPRING WASHER	M5 DIN 6798A Zn	4	
16	595033201	SCREW	M6x16 ISO 4017 8.8 A2K	8	
17	595113501	WASHER	M6 ISO 10670 FZB	8	
18	594791101	NUT	M4 DIN 934 BRASS	6	
19	595182501	WASHER	M4 ISO 7092 BRASS	9	
20	595182301	WASHER	M4 DIN 6798A	5	
21	594853601	UNIT		6	
22	594281901	SEAL		2	
23	594281801	COVER		2	
24	594124701	RETAINER RING	D25 DIN 471	2	
25	595520501	TERMINAL		3	
26	594284701	DECAL		2	
27	599363401	DECAL		2	
28	594604701	PLUG		1	
29	595468903	CABLE		1	

**A** ER507B 200Hz  
PRODUCT OVERVIEW



REF.	PART NO.	DESCRIPTION	REMARK	QTY.	KIT
2	595152501	FLANGE		2	
3	595447701	ROTOR		1	
5	595446501	BEARING	NJ 2306 ECP/C3	2	
6	595445601	EXCENTER		22	
7	594118401	SCREW	M10x20 ISO 4017 8.8 A3K	2	
8	594283801	BLOCK		1	
9	595180501	SCREW	M5x16 ISO 1207 4.8 ZnB	2	
10	594283901	PISTON		1	
11	595047501	O-RING		2	
12	594282101	COVER		1	
13	594282201	SEAL		1	
14	595053601	SCREW	M5x16 ISO 4014 8.8 A2K	4	
15	594273501	SPRING WASHER	M5 DIN 6798A	4	
16	595344301	SCREW	M8x30 ISO 4017 8.8 A2K	8	
17	595113601	WASHER	M8 ISO 10670	8	
18	595152901	SPACER		2	
19	595446301	NUT	M5 ISO 4032 BRASS	6	
20	595182401	WASHER	M5 ISO 7090 BRASS	9	
21	594833201	WASHER	M5 DIN 6798A	5	
22	595445501	SPADE		6	
23	595151001	SEALING		2	
24	594282001	COVER		2	
25	595447401	WASHER		2	
26	595189801	COVER		2	
27	595180601	SCREW	M6x16 ISO 2009 4.8	6	
28	599363408	DECAL		2	
29	595520501	TERMINAL		3	
30	594284701	DECAL		2	
32	594604701	PLUG		1	
33	595468903	CABLE		1	

**B** ER407B 200Hz  
PRODUCT OVERVIEW



REF.	PART NO.	DESCRIPTION	REMARK	QTY.	KIT
2	595152201	FLANGE		2	
3	595447801	ROTOR		1	
6	594792301	BEARING	NJ 2304 ECP/C3	2	
7	595152401	ECCENTRIC		22	
8	594792101	NUT	M16x1.5 ISO 4035 FZB	2	
9	594255501	CONNECTING BOX		1	
10	595180301	SCREW	M4x12 ISO 1207 4.8 ZnB	2	
11	594792201	NUT		1	
12	595147701	O-RING	95x2.5 NBR 70 Shore	2	
13	595147601	COVER		1	
14	595445801	RING		1	
15	595053601	SCREW	M5x16 ISO 4014 8.8 A2K	4	
16	594273501	SPRING WASHER	M5 DIN 6798A	4	
17	594117901	SCREW	M8x20 ISO 4017 8.8 A2K	8	
18	595113601	WASHER	M8 ISO 10670	8	
19	594791101	NUT	M4 ISO 4032 BRASS	6	
20	595182501	WASHER	M4 ISO 7092 BRASS	9	
21	595182301	WASHER	M4 DIN 6798A	5	
22	594853601	UNIT		6	
23	594283101	RING		2	
24	594283001	COVER		2	
25	595152301	DEFLECTOR		2	
26	595149101	SCREW	M5x12 ISO 7047 Z 4.8 A2K	6	
27	599363406	DECAL		2	
28	594284701	DECAL		2	
30	595520501	TERMINAL		3	
31	594604701	PLUG		1	
32	595468903	CABLE		1	