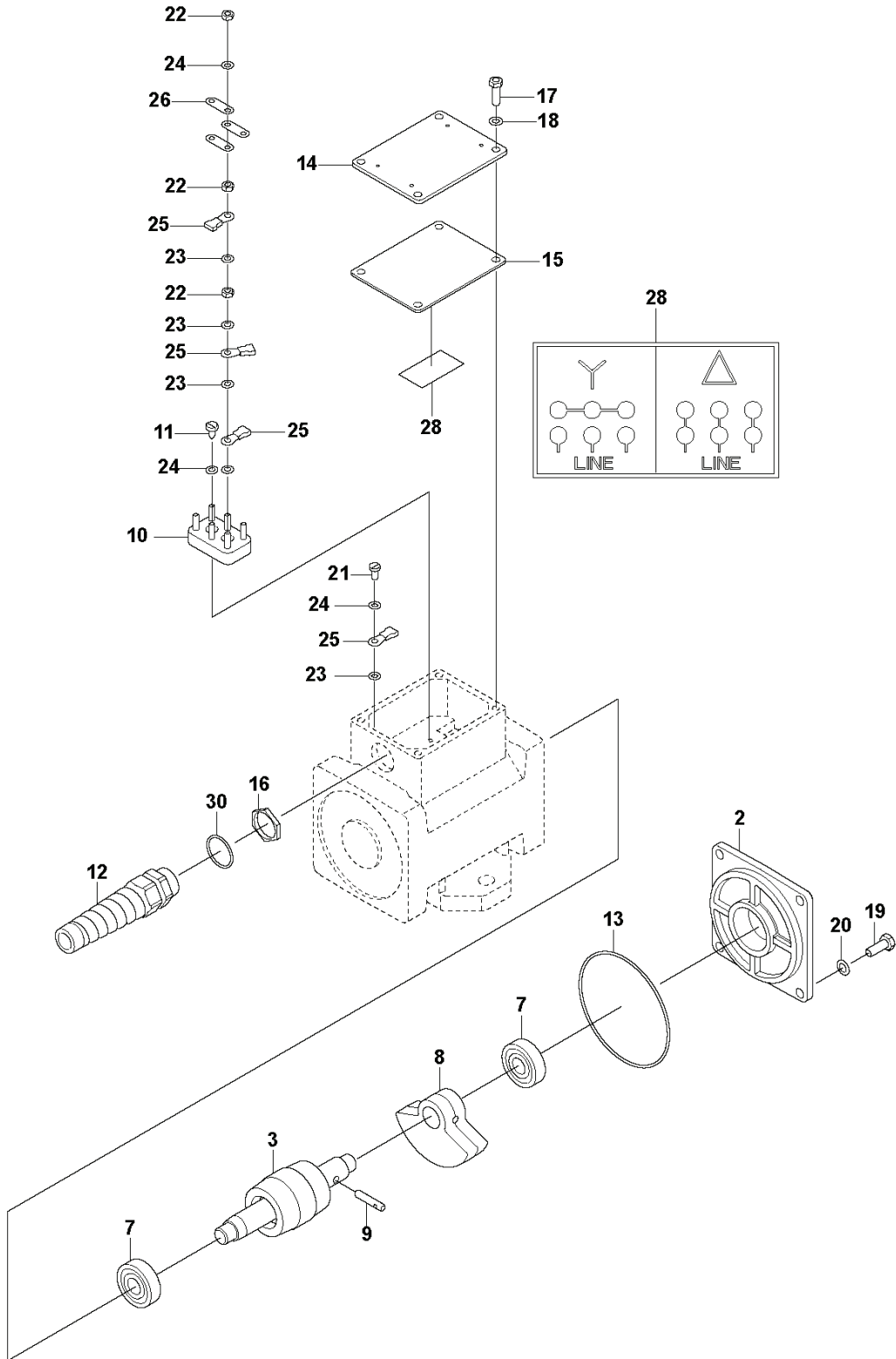


05, ER205, ER305, ER405, ER605, ER705, 2

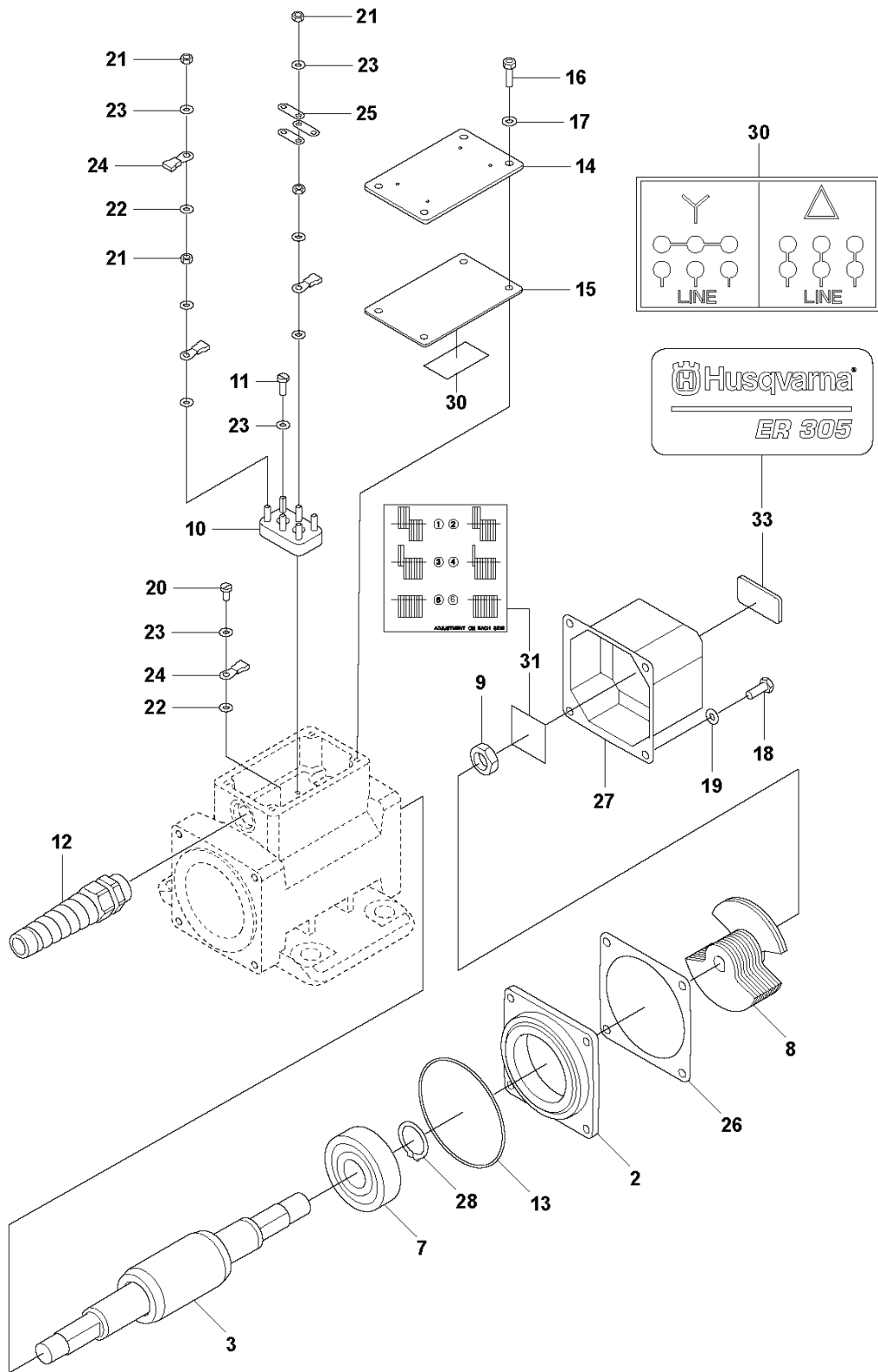
SPARE PARTS LIST

A ER105
PRODUCT COMPLETE



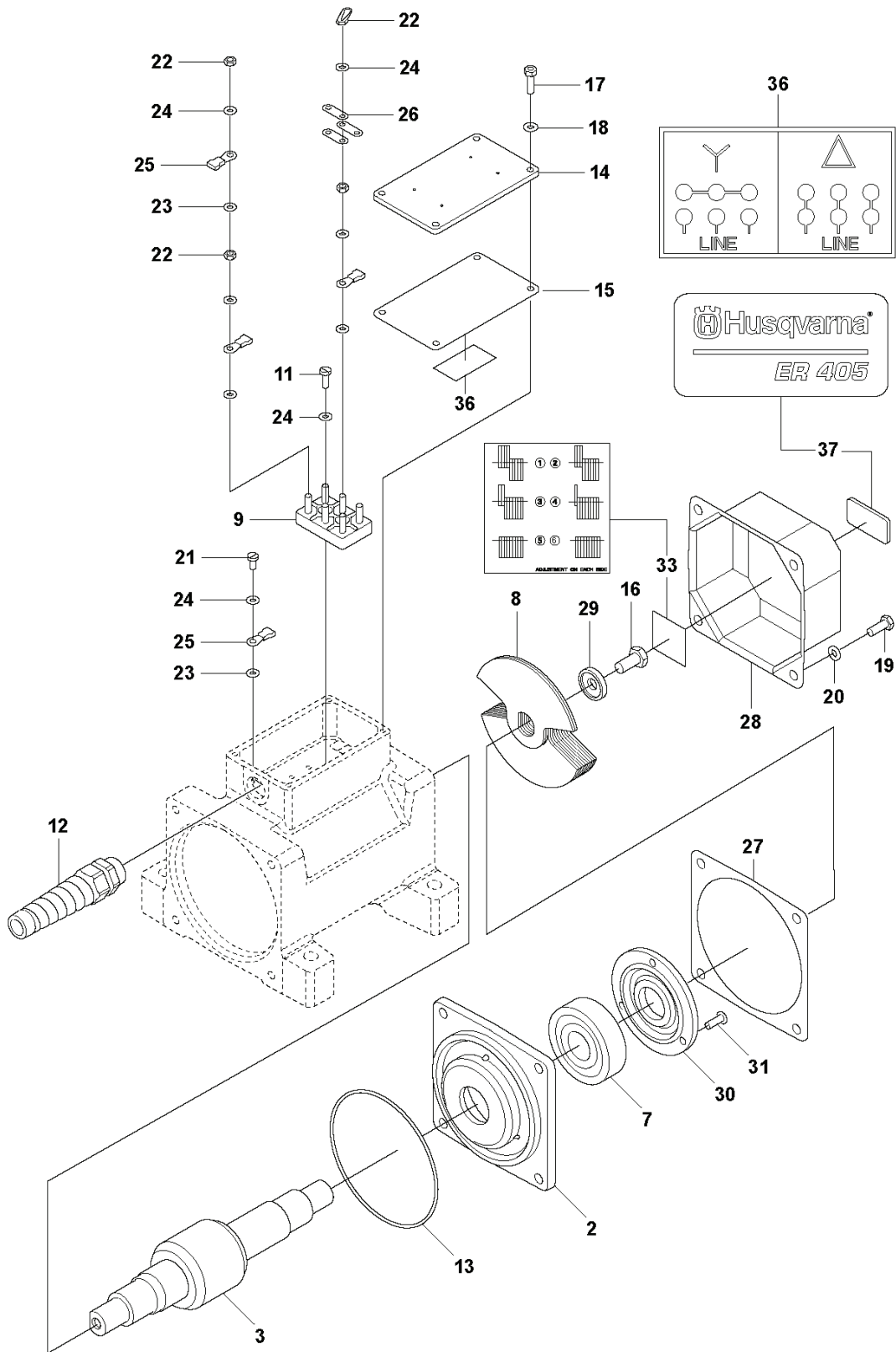
REF.	PART NO.	DESCRIPTION	REMARK	QTY.	KIT
2	595149701	BRACKET		1	
3	595151701	ROTOR		1	
7	595141701	BALL BEARING	6201-ZZ	2	
8	595150001	ECCENTRIC		1	
9	595182901	PIN	8x40	1	
10	594255501	CONNECTING BOX		1	
11	594833001	SCREW	4.2x16 DIN 7971	2	
12	594792201	NUT	BS 13.5	1	
13	595145401	O-RING	75.92x1.78 NBR 70 Shore	1	
14	595150201	COVER		1	
15	595150301	SEAL		1	
16	595447201	NUT	SM 13.5	1	
17	595053601	SCREW	M5x16 ISO 4014 8.8 A2K	4	
18	594273501	SPRING WASHER	M5 DIN 6798A	4	
19	595033201	SCREW	M6x16 ISO 4017 8.8 A2K	4	
20	595149401	WASHER	M6 DIN 6798A	4	
21	594286101	SCREW	M4x8 ISO 1207 BRASS	1	
22	594791101	NUT	M4 ISO 4032 BRASS	12	
23	595182501	WASHER	M4 ISO 7092 BRASS	16	
24	595182301	WASHER	M4 DIN 6798A	9	
25	594853601	UNIT		10	
26	595446601	STRIP		3	
28	595454501	CONNECTOR		1	
30	594267601	O-RING	14.1x1.6 NBR 70 Shore	1	

C ER305
PRODUCT COMPLETE



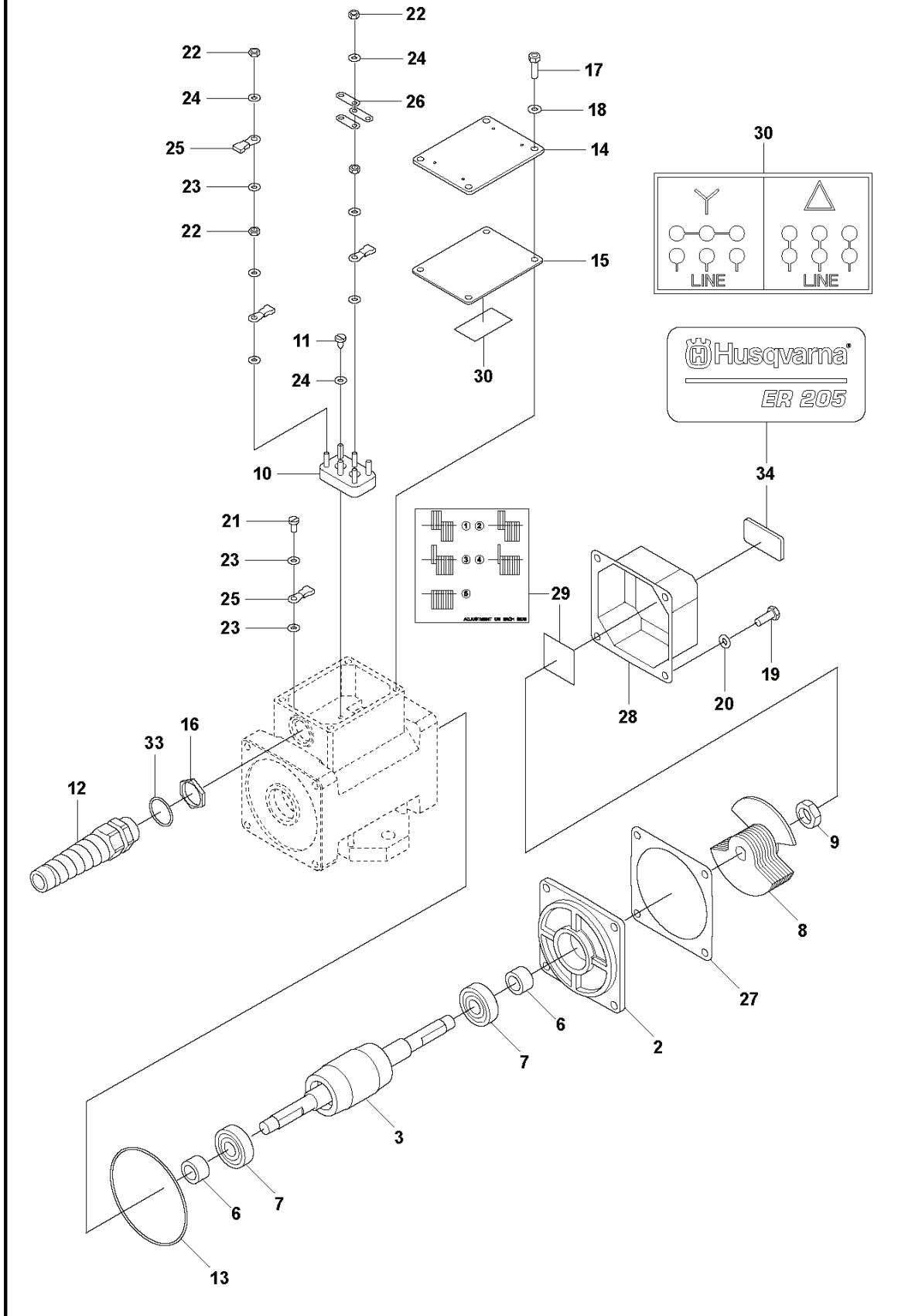
REF.	PART NO.	DESCRIPTION	REMARK	QTY.	KIT
2	595150701	FLANGE		1	
3	594283601	ROTOR		1	
7	594271801	BALL BEARING	6305-ZZ/C3	2	
8	595150801	ECCENTRIC		22	
9	594792101	NUT	M16x1.5 ISO 4035 FZB	2	
10	594255501	CONNECTING BOX		1	
11	595180301	SCREW	M4x12 ISO 1207 4.8 ZnB	2	
12	594792201	NUT	BS 13.5	1	
13	595145501	O-RING	82.3x1.78 NBR 70 Shore	1	
14	595146301	COVER		1	
15	595444801	SEALING		1	
16	595053601	SCREW	M5x16 ISO 4014 8.8 A2K	4	
17	594273501	SPRING WASHER	M5 DIN 6798A	4	
18	595033201	SCREW	M6x16 ISO 4017 8.8 A2K	8	
19	595113501	WASHER	M6 ISO 10670 FZB	8	
20	595059001	SCREW	M4x8 ISO 1207 4.8	1	
21	594791101	NUT	M4 ISO 4032 BRASS	12	
22	595182501	WASHER	M4 ISO 7092 BRASS	16	
23	595182301	WASHER	M4 DIN 6798A	9	
24	594853601	UNIT		10	
25	595446601	STRIP		3	
26	594281901	SEAL		2	
27	594281801	COVER		2	
28	594124701	RETAINER RING	D25 DIN 471	2	
30	595454501	CONNECTOR		1	
31	594284701	DECAL		2	
33	599363402	DECAL		2	

D ER405
PRODUCT COMPLETE



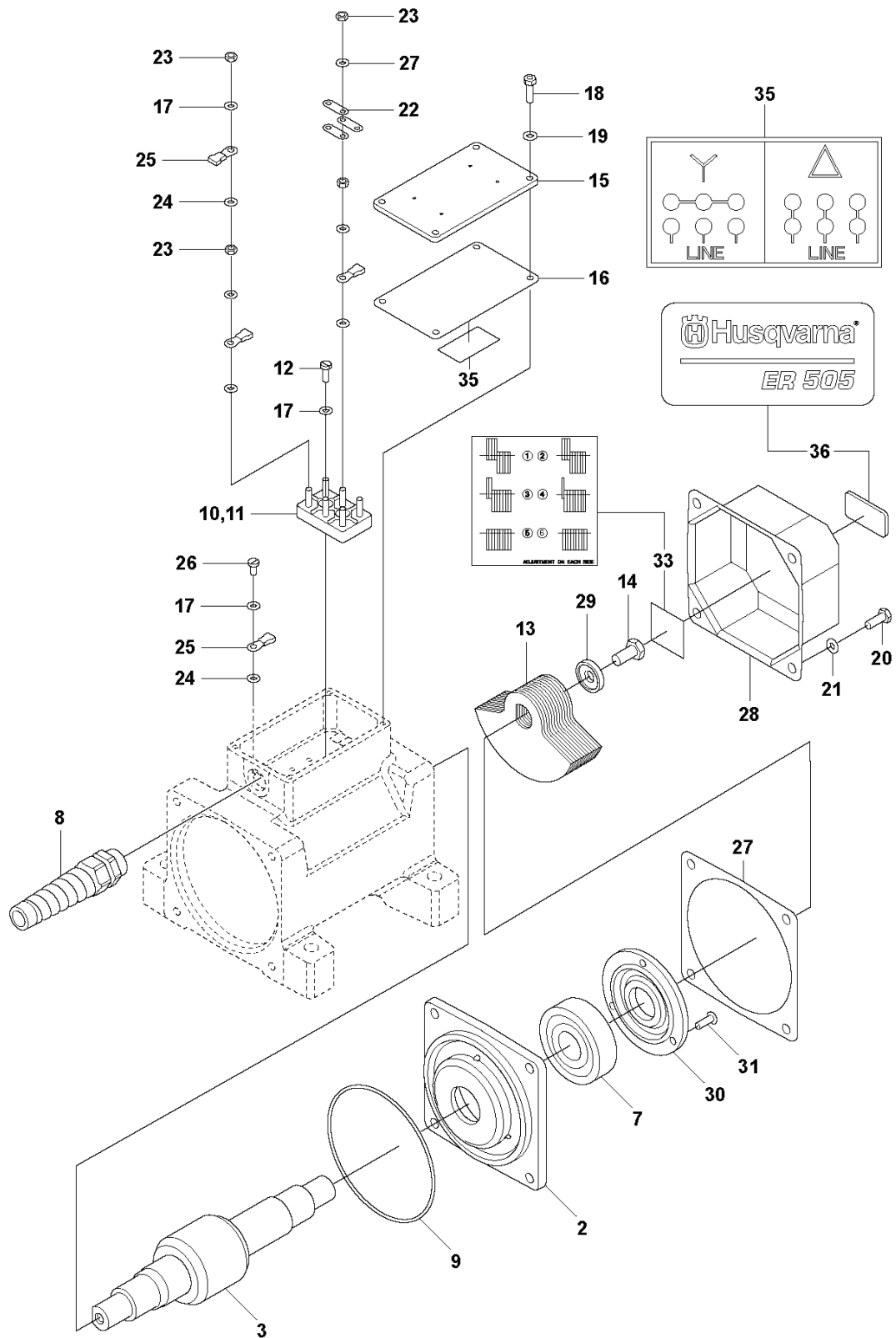
REF.	PART NO.	DESCRIPTION	REMARK	QTY.	KIT
37	599363405	DECAL		2	
2	595150901	FLANGE		2	
3	595447501	ROTOR		1	
7	595142201	BALL BEARING	6306/C3	2	
8	595151101	ECCENTRIC		22	
9	594283801	BLOCK		1	
11	595180401	SCREW	M5x12 ISO 1207 4.8 ZnB	2	
12	594283901	PISTON	BS 16	1	
13	595047501	O-RING	120.32x2.62 NBR 70 Shore	2	
14	594282101	COVER		1	
15	594282201	SEAL		1	
16	594118401	SCREW	M10x20 ISO 4017 8.8 A3K	2	
17	595053601	SCREW	M5x16 ISO 4014 8.8 A2K	4	
18	594273501	SPRING WASHER	M5 DIN 6798A	4	
19	595344301	SCREW	M8x30 ISO 4017 8.8 A2K	8	
20	595113601	WASHER	M8 ISO 10670	8	
21	595449701	SCREW	M5x8 ISO 1207 4.8	1	
22	595446301	NUT	M5 ISO 4032 BRASS	12	
23	595182401	WASHER	M5 ISO 7090 BRASS	16	
24	594833201	WASHER	M5 DIN 6798A	9	
25	595445501	SPADE		10	
26	594790501	STRIP		3	
27	595151001	SEALING		2	
28	594282001	COVER		2	
29	595447401	WASHER		2	
30	595189801	COVER		2	
31	595180601	SCREW	M6x16 ISO 2009 4.8	6	
33	594284701	DECAL		2	
36	595454501	CONNECTOR		1	

B ER205
PRODUCT COMPLETE



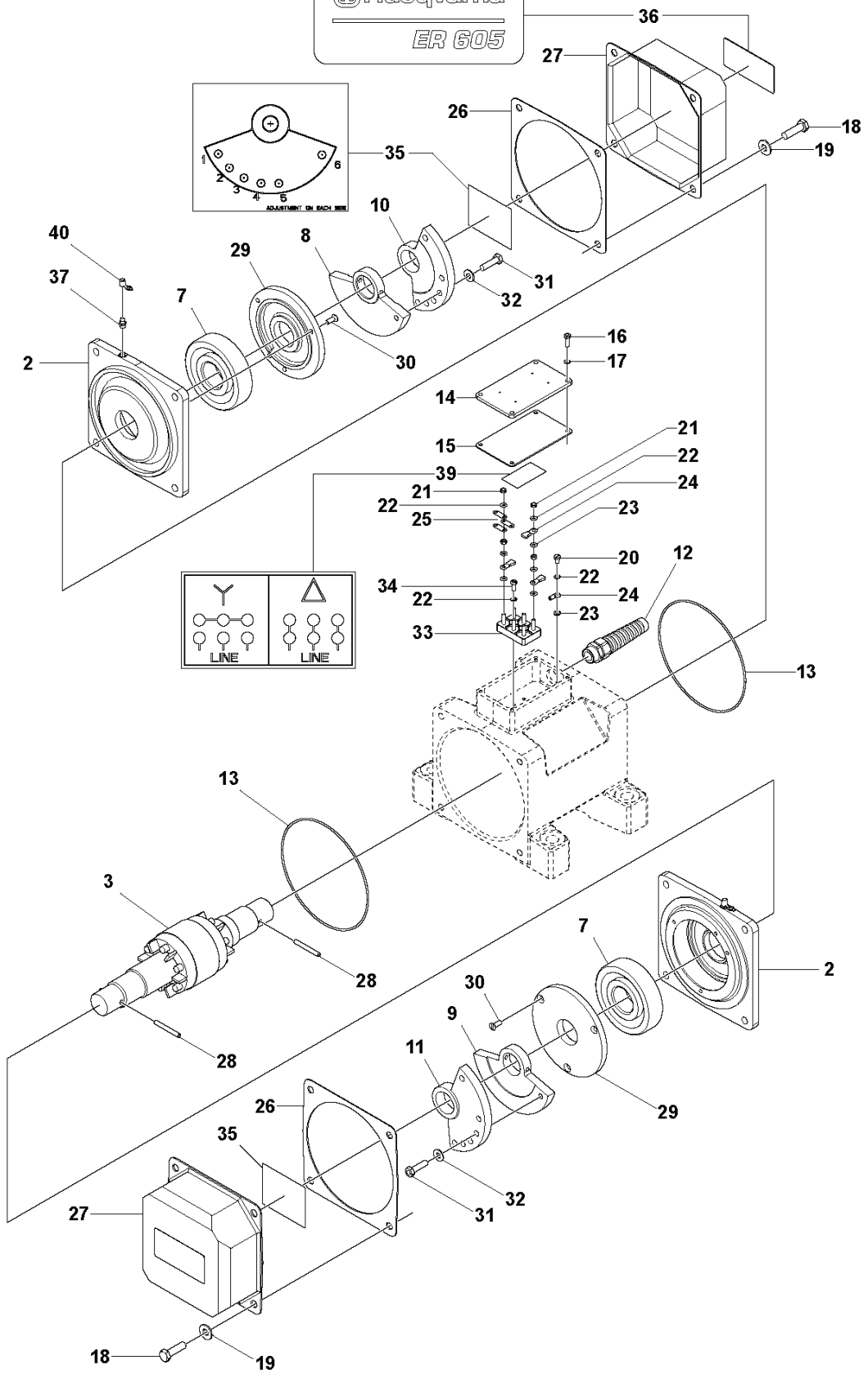
REF.	PART NO.	DESCRIPTION	REMARK	QTY.	KIT
2	595149801	BRACKET		1	
3	595151801	ROTOR		1	
6	529479201	TBD		2	
7	595141701	BALL BEARING	6201-ZZ	2	
8	595150101	ECCENTRIC		18	
9	595152001	NUT		2	
10	594255501	CONNECTING BOX		1	
11	594833001	SCREW	4.2x16 DIN 7971	2	
12	594792201	NUT	BS 13.5	1	
13	595145401	O-RING	75.92x1.78 NBR 70 Shore	1	
14	595150201	COVER		1	
15	595150301	SEAL		1	
16	595447201	NUT	SM 13.5	1	
17	595053601	SCREW	M5x16 ISO 4014 8.8 A2K	4	
18	594273501	SPRING WASHER	M5 DIN 6798A	4	
19	595033201	SCREW	M6x16 ISO 4017 8.8 A2K	8	
20	595149401	WASHER	M6 DIN 6798A	8	
21	594286101	SCREW	M4x8 ISO 1207 BRASS	1	
22	594791101	NUT	M4 ISO 4032 BRASS	12	
23	595182501	WASHER	M4 ISO 7092 BRASS	16	
24	595182301	WASHER	M4 DIN 6798A	9	
25	594853601	UNIT		10	
26	595446601	STRIP		3	
27	595150401	SEAL		2	
28	595149901	COVER		2	
29	595448201	DECAL		2	
30	595454501	CONNECTOR		1	
33	594267601	O-RING	14.1x1.6 NBR 70 Shore	1	
34	599829101	TBD		2	

E ER505
PRODUCT COMPLETE



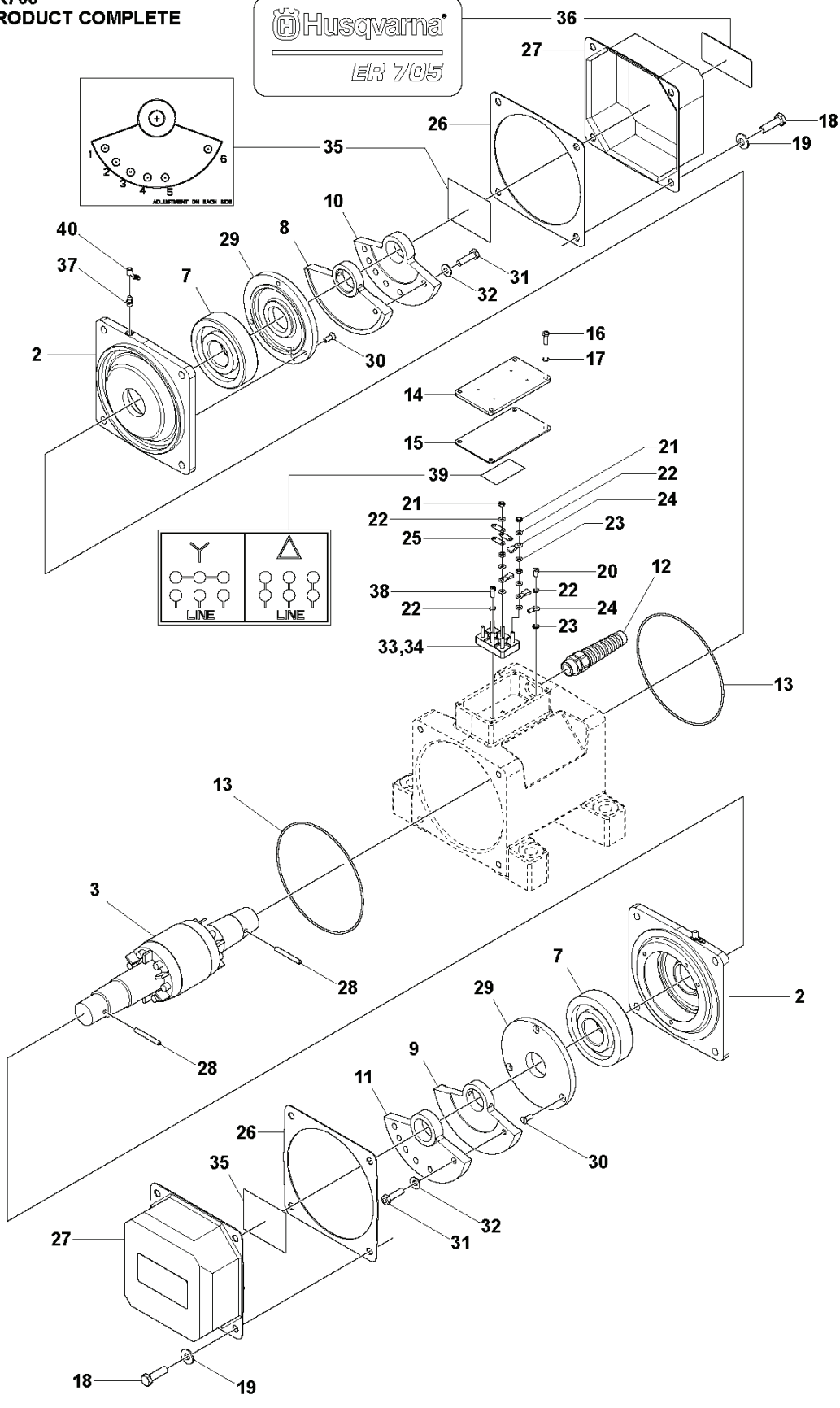
REF.	PART NO.	DESCRIPTION	REMARK	QTY.	KIT
2	595150901	FLANGE		2	
3	595447301	ROTOR		1	
7	595142201	BALL BEARING	6306/C3	2	
8	594283901	PISTON	BS 16	1	
9	595047501	O-RING	120.32x2.62 NBR 70 Shore	2	
10	594283801	BLOCK	6 poles. for ER 505 230/400 V 50 Hz and ER 505 600 V 60Hz	1	
11	595446401	BOX	9 poles. for ER 505 230/460 V 60Hz	1	
12	595180401	SCREW	M5x12 ISO 1207 4.8 ZnB	2	
13	595151201	ECCENTRIC		22	
14	594118401	SCREW	M10x20 ISO 4017 8.8 A3K	2	
15	594282101	COVER		1	
16	594282201	SEAL		1	
17	594833201	WASHER	M5 DIN 6798A	9	
18	595053601	SCREW	M5x16 ISO 4014 8.8 A2K	4	
19	594273501	SPRING WASHER	M5 DIN 6798A	4	
20	595344301	SCREW	M8x30 ISO 4017 8.8 A2K	8	
21	595113601	WASHER	M8 ISO 10670	8	
22	594790501	STRIP		3	
23	595446301	NUT	M5 ISO 4032 BRASS	12	
24	595182401	WASHER	M5 ISO 7090 BRASS	16	
25	595445501	SPADE		10	
26	595449701	SCREW	M5x8 ISO 1207 4.8	1	
27	595151001	SEALING		2	
28	594282001	COVER		2	
29	595447401	WASHER		2	
30	595189801	COVER		2	
31	595180601	SCREW	M6x16 ISO 2009 4.8	6	
33	594284701	DECAL		2	
35	595454501	CONNECTOR		1	
36	599363407	DECAL		2	

F ER605
PRODUCT COMPLETE



REF.	PART NO.	DESCRIPTION	REMARK	QTY.	KIT
2	594283201	FLANGE		2	
3	595153001	ROTOR		1	
7	594259701	BEARING		2	
8	595521401	ECCENTRIC		1	
9	595521201	ECCENTRIC		1	
10	595521301	ECCENTRIC		1	
11	595447901	ECCENTRIC		1	
12	594283901	PISTON	BS 16	1	
13	595448301	O-RING	158.42x2.62 NBR 70 Shore	2	
14	594282101	COVER		1	
15	594282201	SEAL		1	
16	595053601	SCREW	M5x16 ISO 4014 8.8 A2K	4	
17	594273501	SPRING WASHER	M5 DIN 6798A	4	
18	594118601	SCREW	M10x30 ISO 4014 8.8 A2K	8	
19	595182601	WASHER	M10 DIN 6796	8	
20	595449701	SCREW	M5x8 ISO 1207 4.8	1	
21	595446301	NUT	M5 ISO 4032 BRASS	12	
22	594833201	WASHER	M5 DIN 6798A	9	
23	595182401	WASHER	M5 ISO 7090 BRASS	16	
24	595445501	SPADE		10	
25	594790501	STRIP		3	
26	594284501	SEALING		2	
27	594283501	COVER		2	
28	594501901	PIN		2	
29	594552901	DEFLECTOR		2	
30	595180601	SCREW	M6x16 ISO 2009 4.8	6	
31	595344301	SCREW	M8x30 ISO 4017 8.8 A2K	2	
32	595113601	WASHER	M8 ISO 10670	2	
33	594283801	BLOCK		1	
34	595180501	SCREW	M5x16 ISO 1207 4.8 ZnB	2	
35	594792401	DECAL		2	
36	599363409	DECAL		2	
37	594126801	LUBRICATION NIPPLE		2	
39	595454501	CONNECTOR		1	
40	595179101	PLUG		2	

G ER705
PRODUCT COMPLETE



REF.	PART NO.	DESCRIPTION	REMARK	QTY.	KIT
2	594283201	FLANGE		2	
3	594284401	ROTOR		1	
7	594259701	BEARING		2	
8	594284201	ECCENTRIC		1	
9	594283301	INNER PLATE		1	
10	594283401	ECCENTRIC		1	
11	594284301	ECCENTRIC		1	
12	594283901	PISTON	BS 16	1	
13	595448301	O-RING	158.42x2.62 NBR 70 Shore	2	
14	594282101	COVER		1	
15	594282201	SEAL		1	
16	595053601	SCREW	M5x16 ISO 4014 8.8 A2K	4	
17	594273501	SPRING WASHER	M5 DIN 6798A	4	
18	594118601	SCREW	M10x30 ISO 4014 8.8 A2K	8	
19	595182601	WASHER	M10 DIN 6796	8	
20	595449701	SCREW	M5x8 ISO 1207 4.8	1	
21	595446301	NUT	M5 ISO 4032 BRASS	12	
22	594833201	WASHER	M5 DIN 6798A	9	
23	595182401	WASHER	M5 ISO 7090 BRASS	16	
24	595445501	SPADE		10	
25	594790501	STRIP		3	
26	594284501	SEALING		2	
27	594283501	COVER		2	
28	594501901	PIN		2	
29	594552901	DEFLECTOR		2	
30	595180601	SCREW	M6x16 ISO 2009 4.8	6	
31	595344301	SCREW	M8x30 ISO 4017 8.8 A2K	2	
32	595113601	WASHER	M8 ISO 10670	2	
33	594283801	BLOCK	6 poles. for ER 705 230/400 V 50 Hz and ER 705 500 V 50 Hz	1	
34	595446401	BOX	9 poles. for ER 705 500 V 60Hz and ER 705 600 V 60Hz	1	
35	594792401	DECAL		2	
36	599829001	TBD		2	
37	594126801	LUBRICATION NIPPLE		2	
38	595180501	SCREW	M5x16 ISO 1207 4.8 ZnB	2	
39	595454501	CONNECTOR		1	
40	595179101	PLUG		2	