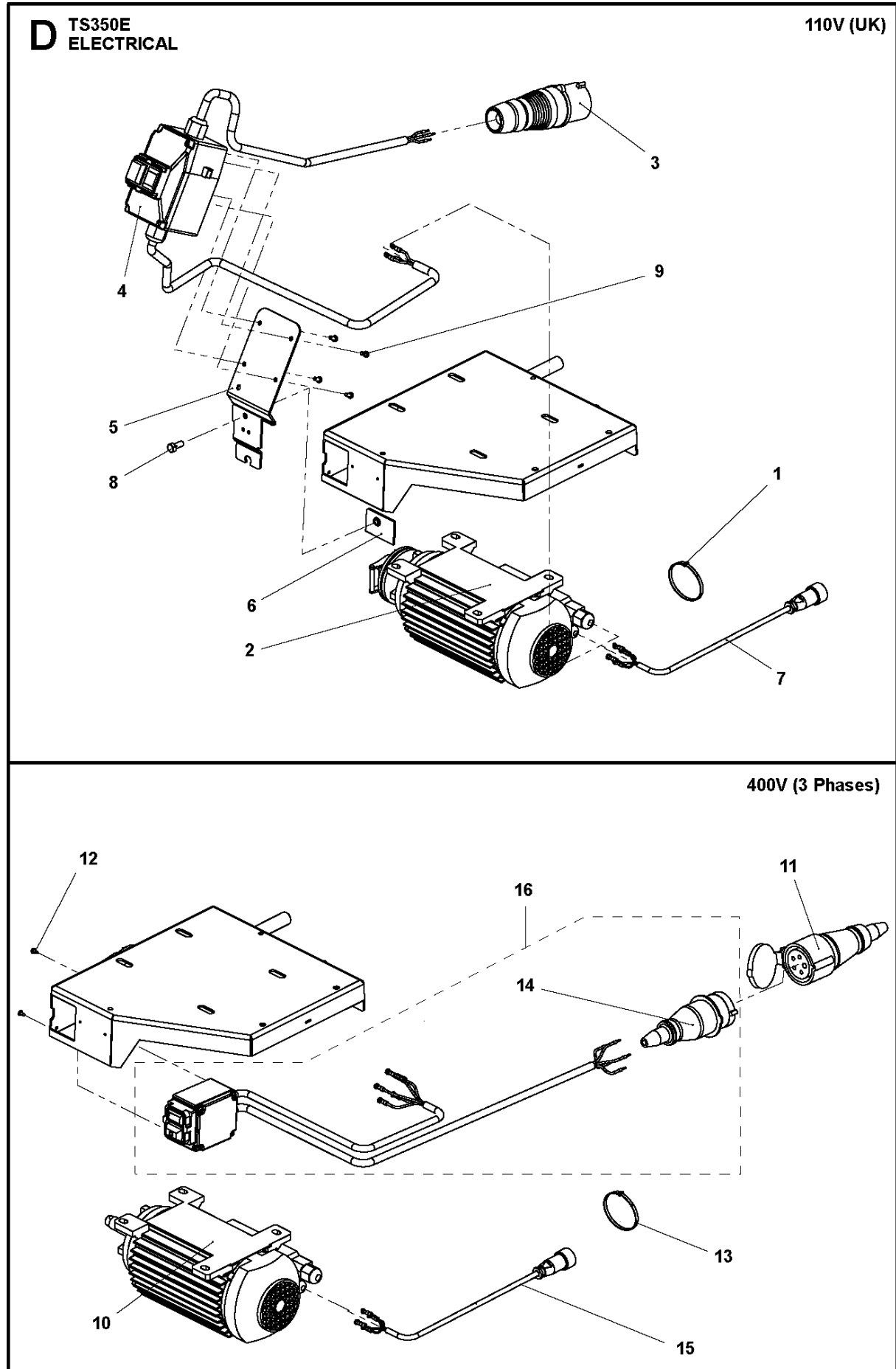




SPARE PARTS LIST

TILE SAWS

TS350 E, 2008-10

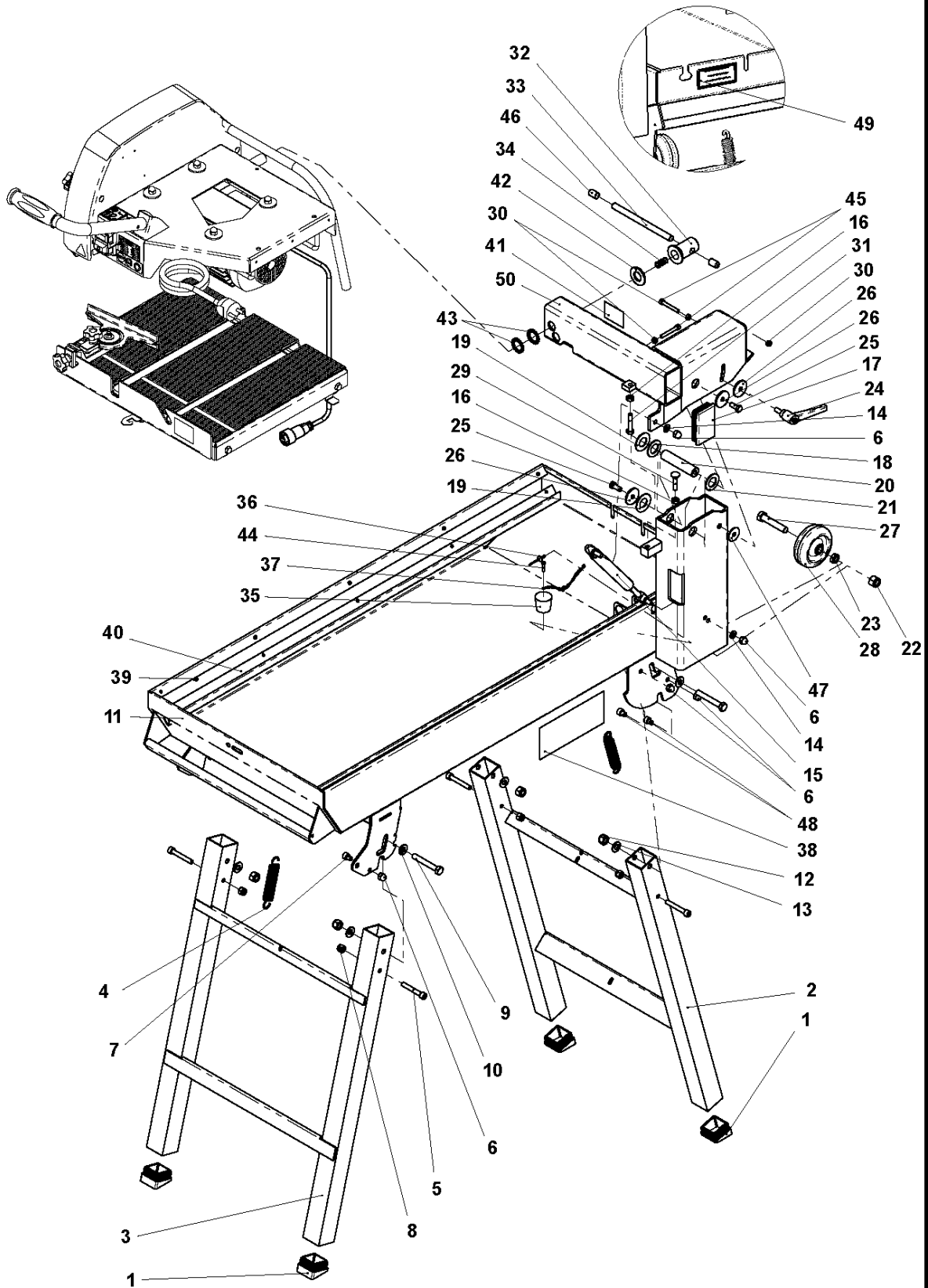


ELECTRICAL
2008-10

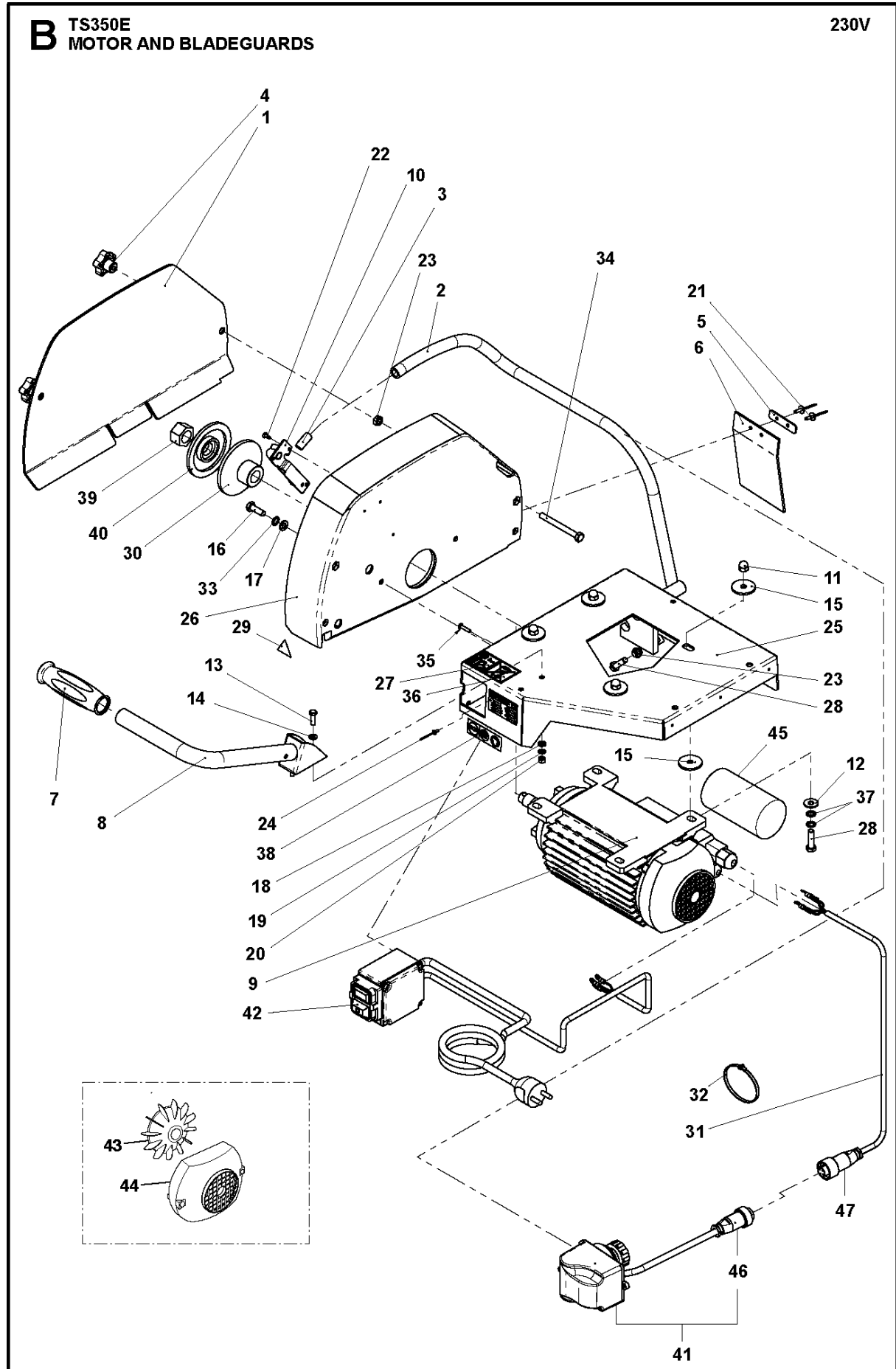
TS350 E,

Ref	Part No	Description	Remark	QTY KIT
1	543 85 00-17	TIE STRAP		8
2	543 85 02-83	MOTOR		1
3	543 04 51-46	FICHE 2P+T 32A 110V 4H/PRESSE		1
4	543 07 15-77	SWITCH		1
5	504 85 41-01	SUPPORT		1
6	543 06 99-74	TOLE DE SERRAGETS350F		1
7	506 57 75-01	WIRE ASSY		1
8	725 24 51-71	SCREW EHHM		1
9	725 23 27-71	SCREW EHHM		4
10	543 85 01-83	MOTEUR 3 KW TRI ABLE		1
11	543 04 51-45	PROLONG. 3P+N+T 16A 6H/		1
12	729 52 79-01	SCREW CRPANT		2
13	543 85 00-17	TIE STRAP		8
14	543 04 51-36	FICHE 16A 380V 3P+N+T 6H/AVEC		1
15	506 57 75-01	WIRE ASSY		1
16	543 85 00-45	SWITCH		1

A TS350E
FRAME



Ref	Part No	Description	Remark	QTY KIT
1	543 85 02-03	Feet Pad on TS350E/TS400***543		4
2	544 94 94-01	LEGS		1
3	544 94 93-01	LEGS		1
4	543 04 62-05	RESSORT N°34640/		2
5	725 54 62-01	SCREW IHSCM		4
6	543 04 47-66	NUT		8
7	725 54 45-01	SCREW IHSCM		2
8	732 25 18-01	HEXAGON LOCKING NUT		4
9	725 25 05-51	SCREW EHHM		4
10	734 11 72-01	WASHER		4
11	544 94 91-01	TANK ASSY		1
12	732 25 20-01	HEXAGON LOCKING NUT		4
13	734 11 72-01	WASHER		4
14	734 11 63-01	WASHER		2
15	543 07 52-14	SPRING		1
16	731 23 18-01	HEXAGON NUT		2
17	543 04 60-39	EMBOUT RECT.GPN270R80504/		1
18	543 85 00-25	WASHER		1
19	543 04 47-36	RONDEL RESSOR40X20,4X1,5/		2
20	543 04 29-61	SUSPENSION AXLE/		1
21	543 85 00-25	WASHER		1
22	732 25 22-01	HEXAGON LOCKING NUT		2
23	731 43 22-01	HEXAGON THIN NUT		2
24	543 85 01-81	HANDLE		1
25	725 24 51-71	SCREW EHHM		2
26	543 04 66-47	WASHER		3
27	725 25 45-51	SCREW EHHM		2
28	543 04 59-32	WHEEL		2
29	727 64 55-51	SCREW		1
30	731 23 16-01	HEXAGON NUT		3
31	725 24 59-71	SCREW		1
32	543 04 65-76	MOYEU CABESTAN/		1
33	543 04 33-34	CAPSTAN ARM/		1
34	543 04 61-61	RESSORT N° 11344/		1
35	543 04 60-51	PLUG		1
36	722 79 43-02	RIVET		1
37	543 85 01-58	CHAIN		1
38	543 07 12-65	STICKER, LEGS FOLDING		1
39	722 78 18-03	BLIND RIVET		10
40	543 06 99-72	SCHIENE		2
41	543 85 00-31	STICKER		1
42	543 04 02-17	RONDELLE ACIER M20 BICHR/		1
43	543 85 00-43	WASHER		2
44	729 53 46-01	SCREW		1
45	725 53 79-01	SCREW IHSCM		2
46	543 04 60-58	EMBOUT 12/18 NOIR 220/		2
47	543 85 03-31	WASHER		1
48	725 54 45-01	SCREW IHSCM		4
49	543 04 57-38	UTILISATION DE LA POMPE/		1
50	544 94 92-01	ARM		1



MOTOR AND BLADE GUARDS
2008-10

TS350 E,

Ref	Part No	Description	Remark	QTY	KIT
1	544 94 88-01	BLADE GUARD		1	
2	543 04 55-80	TUY TRICOCLAIR AL 12*18/		1	
3	543 85 00-23	HOSE		1	
4	543 04 60-84	STEERING WHEEL		2	
5	543 85 02-13	MUDFLAP REINFORCEMENT		1	
6	543 04 62-88	BAVETTE TS 300E/		1	
7	543 04 56-54	HANDLE		1	
8	544 94 75-01	SUPPORT		1	
9	543 85 01-80	MOTOR		1	
10	543 04 67-65	DISPOSITIF ARROSAGE/		1	
11	543 04 47-66	NUT		4	
12	543 04 47-18	RONDELLE ACIER L8 BICHRO/		4	
13	725 23 70-71	SCREW EHHM		2	
14	734 11 52-01	WASHER		2	
15	543 04 66-47	WASHER		8	
16	725 24 53-71	SCREW EHHM		2	
17	734 11 63-01	WASHER		2	
18	734 11 52-01	WASHER		2	
19	735 11 53-01	WASHER		2	
20	731 23 16-01	HEXAGON NUT		2	
21	722 79 43-02	RIVET		2	
22	729 52 79-01	SCREW CRPANT		3	
23	731 23 18-01	HEXAGON NUT		3	
24	722 78 18-03	BLIND RIVET		2	
25	544 94 90-01	MOTOR ASSY		1	
26	544 94 89-01	BLADE GUARD		1	
27	543 04 57-85	NOISE STICKER 102/		1	
28	725 24 55-71	SCREW EHHM		5	
29	543 07 22-45	STICKER		1	
30	543 85 01-73	FLANGE		1	
31	506 57 75-01	WIRE ASSY		1	
32	543 85 00-17	TIE STRAP		8	
33	735 11 64-01	SPRING WASHER		2	
34	725 24 67-71	SCREW EHHM		2	
35	729 53 46-01	SCREW		2	
36	543 85 03-15	STICKER		1	
37	735 21 64-01	LOCKWASHER		8	
38	543 85 02-18	STICKER		1	
39	543 85 01-75	NUT		1	
40	543 85 01-74	FLANGE		1	
40	501 92 53-01	FLANGE	AUS	1	
41	587 49 22-01	WATER PUMP	230V/400V	1	
41	587 49 22-04	WATER PUMP	115V	1	
42	543 04 51-31	SWITCH COMMUN 230V 40487/	Includes Cable	1	
42	584 15 95-01	SWITCH	Brazil, incl. cable	1	
43	543 85 01-78	FLYWHEEL		1	
44	543 85 01-79	ABDECKUNG		1	
45	543 85 01-76	CAPACITOR	230V "Capacitor 35µF for 2.2Kw motor"	1	
45	543 09 26-10	CAPACITOR	110V "Capacitor 25µF for 1.1Kw motor"	1	
47	578 31 49-01	CONNECTOR		1	
46	578 31 49-02	CONNECTOR		1	41

C TS350E
TABLE

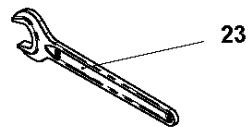
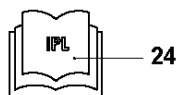
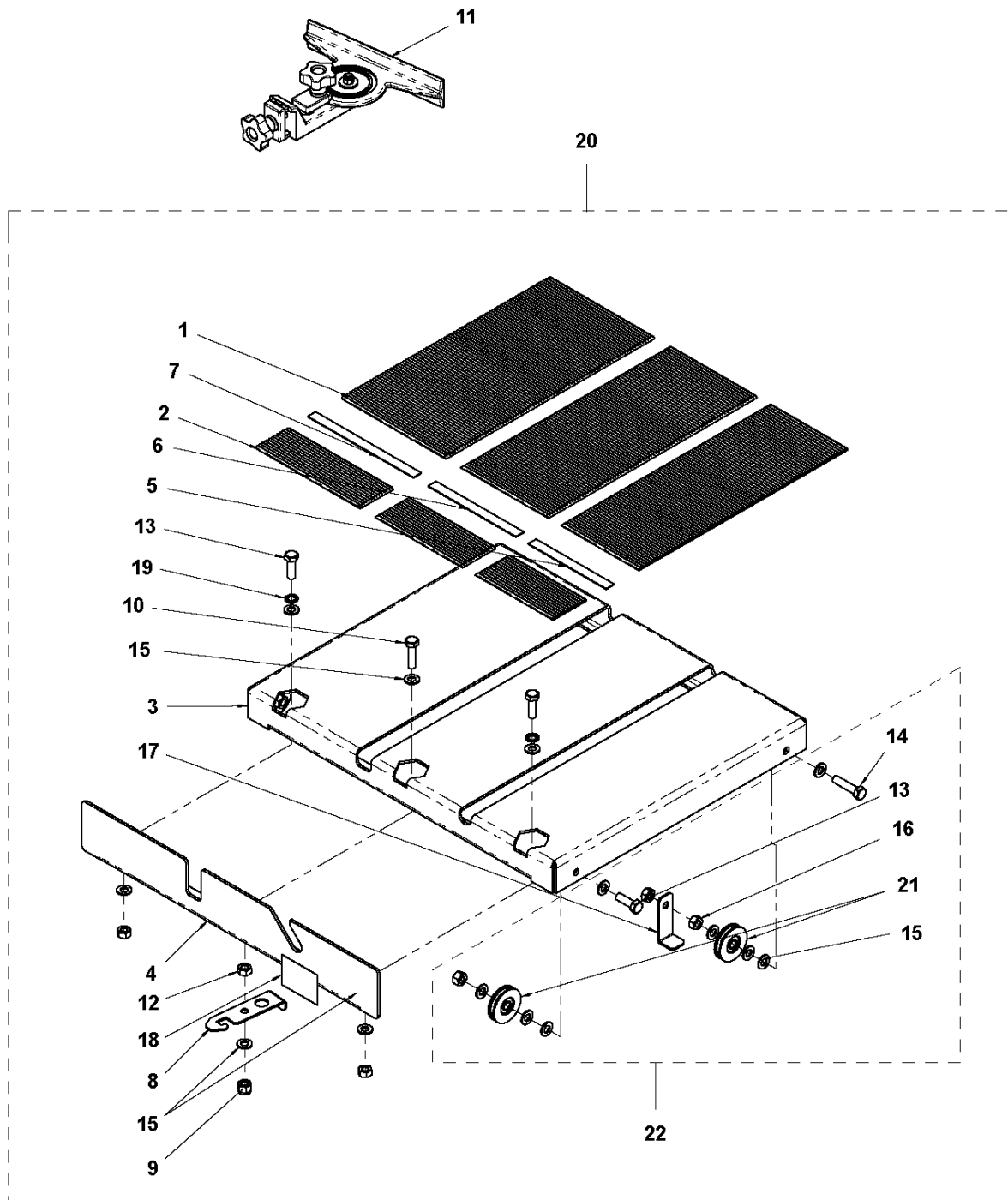


TABLE
2008-10

TS350 E,

Ref	Part No	Description	Remark	QTY KIT
1	543 04 62-81	TAPIS AR STRIE ADHESIF/		1
2	543 04 62-80	TAPIS AV STRIE ADHESIF/TS400F		1
3	544 94 83-01	TABLE		1
4	544 94 86-01	MATERIAL STOP/		1
5	543 85 00-06	RULER, RIGHT TS350E-02TS350E-0		1
6	543 85 00-05	RULER, MIDDLE TS350E-02TS350E-		1
7	543 85 00-04	RULER, LEFT TS350E-02TS350E-02		1
8	544 94 87-01	PIVOTING STOP/		1
9	732 25 18-01	HEXAGON LOCKING NUT		1
10	725 24 55-71	SCREW EHHM		1
11	543 04 61-46	GUIDE		1
12	731 23 18-01	HEXAGON NUT		1
13	725 24 53-71	SCREW EHHM		4
14	725 24 57-71	SCREW EHHM		2
15	734 11 63-01	WASHER		20
16	731 23 18-01	HEXAGON NUT		6
17	543 04 33-23	RETENUE DE TABLE/TS 350 F		2
18	543 07 12-64	LABEL		1
19	735 21 64-01	LOCKWASHER		2
20	544 94 85-01	TABLE		1
21	543 04 63-00	FRETTE ACIER 40X9 608ZZ/		4
22	543 04 99-56	S/E JEU DE GALETS/TS350X /F/E		1
23	543 04 59-00	WRENCH		1
24	115 03 03-20	ILLUSTRATED PARTS LIST		1
25	115 03 04-20	OPERATOR'S MANUAL		1