

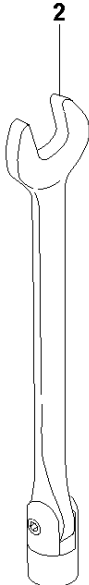
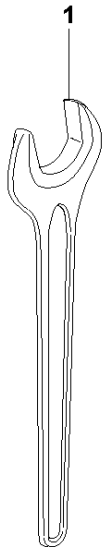
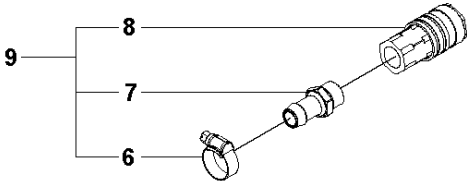
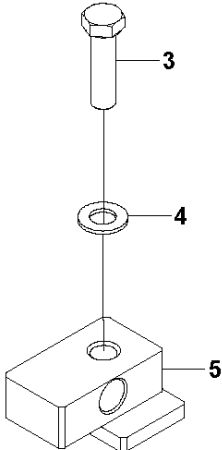


# SPARE PARTS LIST

WIRE SAWS

CS10, 2012-11

**M** CS 10

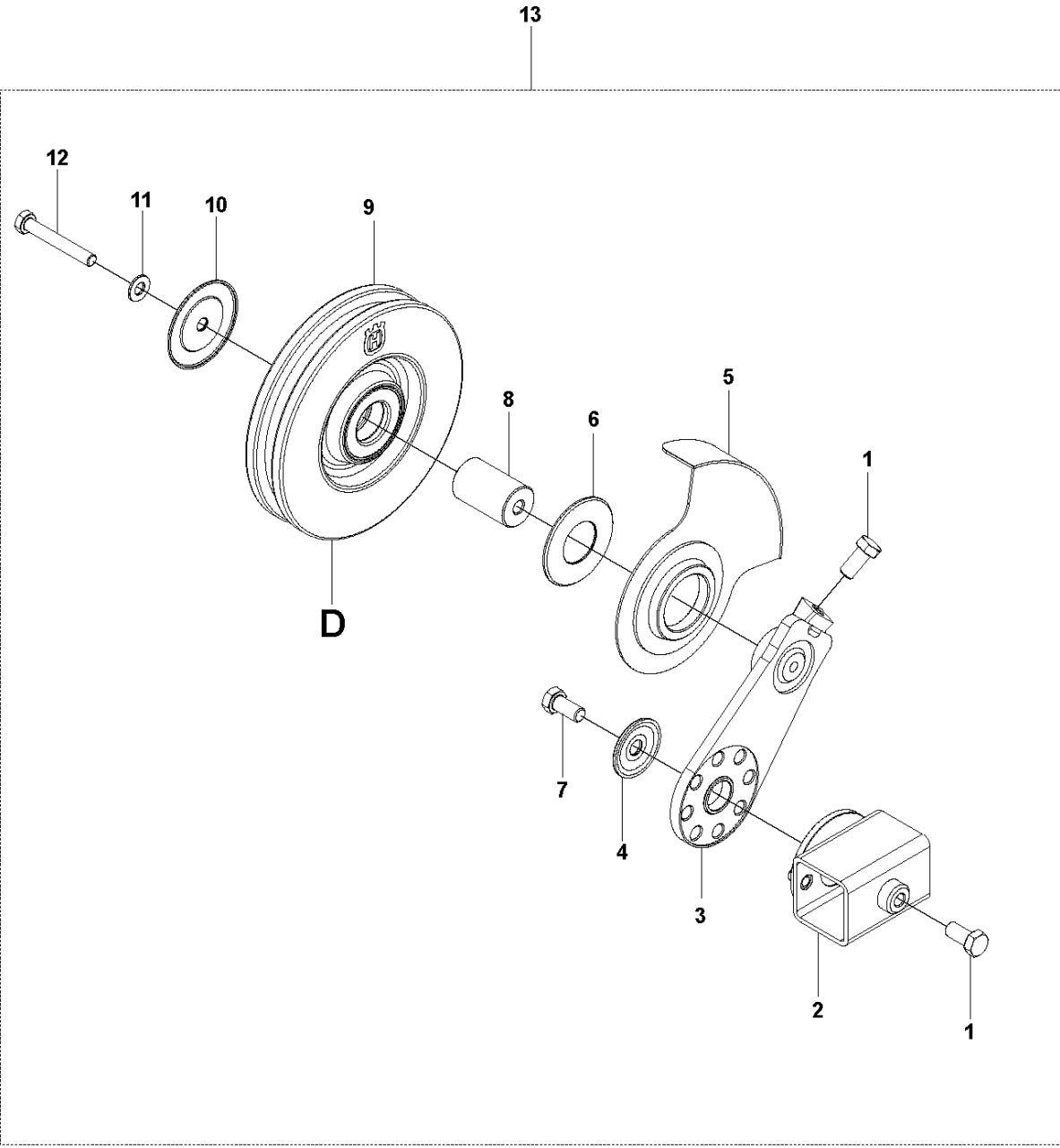


## ACCESSORIES

CS10, 2012-11

Ref	Part No	Description	Remark	QTY	KIT
1	531 14 09-40	SPANNER		1	
2	531 11 90-65	SOCKET WRENCH 18 MM		1	
3	531 11 92-07	SCREW		1	
4	531 11 91-83	WASHER		1	
5	576 34 06-01	BRACKET		1	
6	531 11 90-14	HOSE CLAMP		1	9
7	531 11 83-25	HOSE NIPPLE		1	9
8	531 11 82-19	QUICK COUPLING		1	9
9	576 54 61-01	WATER CONNECTOR		1	
10	576 65 31-01	FIXTURE		1	

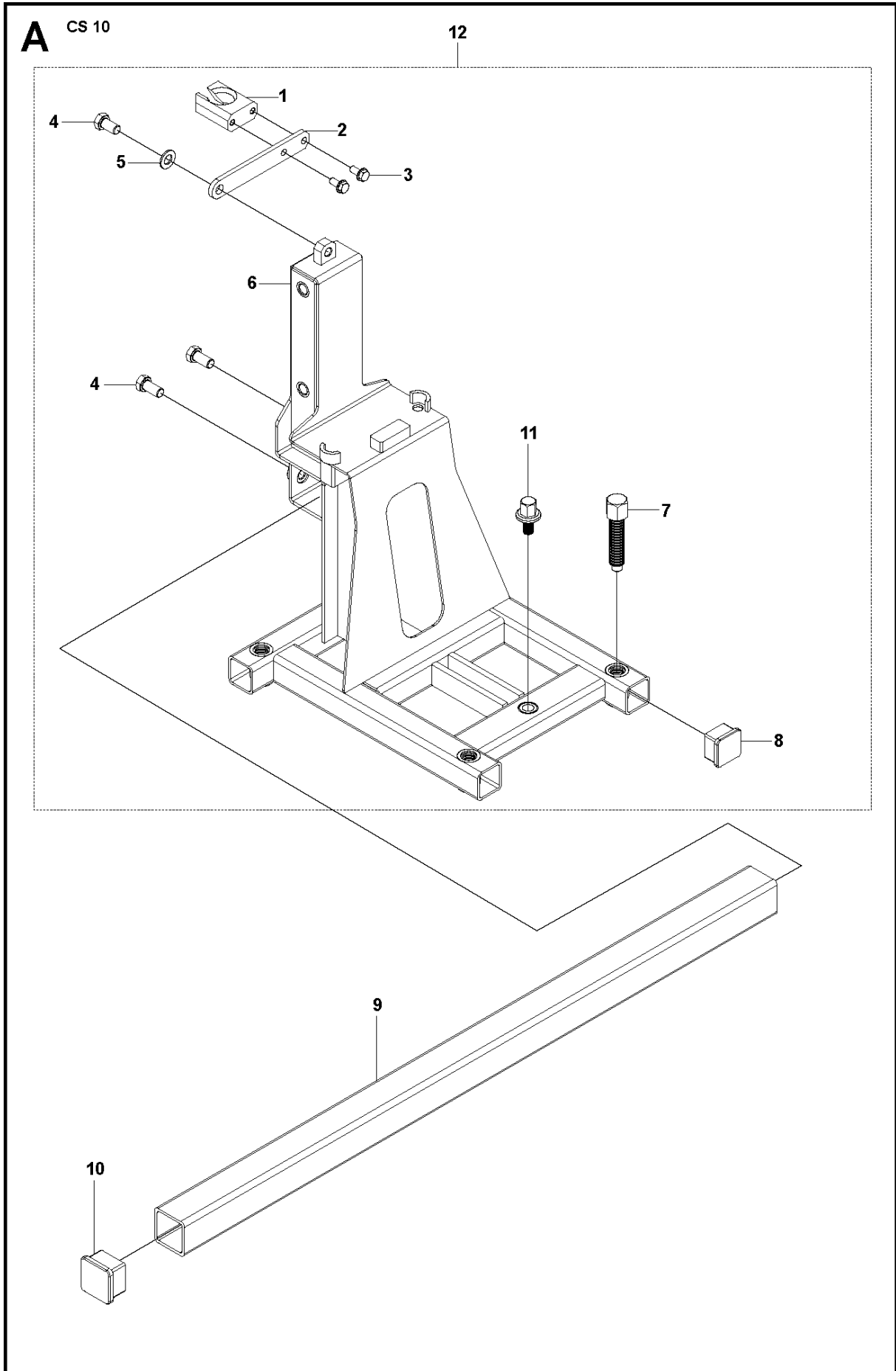
**F** CS 10



## ADJUSTABLE GUIDE WHEEL

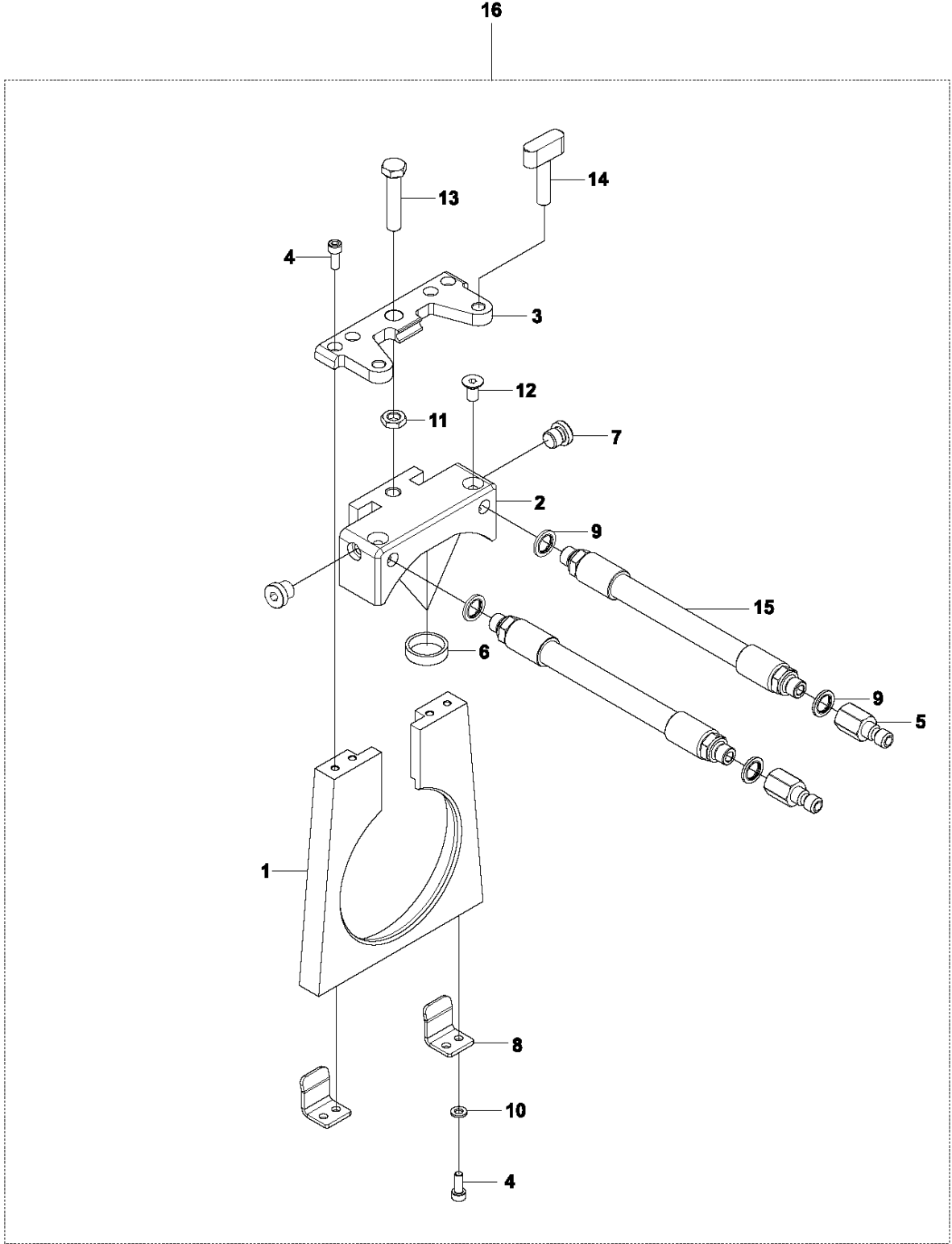
CS10, 2012-11

Ref	Part No	Description	Remark	QTY	KIT
1	531 11 92-02	SCREW		2	15
2	581 11 87-01	BRACKET		1	15
3	581 11 88-01	ARM		1	15
4	581 11 89-01	WASHER		1	15
5	576 36 52-01	WHEEL COVER		1	15
6	576 31 44-01	COVER LID		1	15
7	725 25 32-71	SCREW EHHM		1	15
8	576 31 41-01	SHAFT		1	15
9	579 65 98-01	PULLEY ASSY		1	15
10	576 31 42-01	COVER LID		1	15
11	531 11 91-81	WASHER		1	15
12	725 25 05-71	SCREW EHHM		1	15
13	581 31 59-01	PULLEY ASSY		1	15



Ref	Part No	Description	Remark	QTY	KIT
1	576 37 17-01	WIRE GUIDE		1	12
2	576 37 16-01	ARM		1	12
3	531 11 92-24	SCREW		2	12
4	531 11 92-02	SCREW		3	12
5	531 11 91-83	WASHER		1	12
6	576 29 38-01	BASE		1	12
7	531 14 06-18	SCREW		4	12
8	531 14 06-20	PLUG		4	12
9	576 29 35-01	BEAM		1	
10	531 14 06-64	PLUG		2	
11	531 14 07-43	SCREW		1	12
12	576 29 37-01	BASE		1	

**H** CS 10

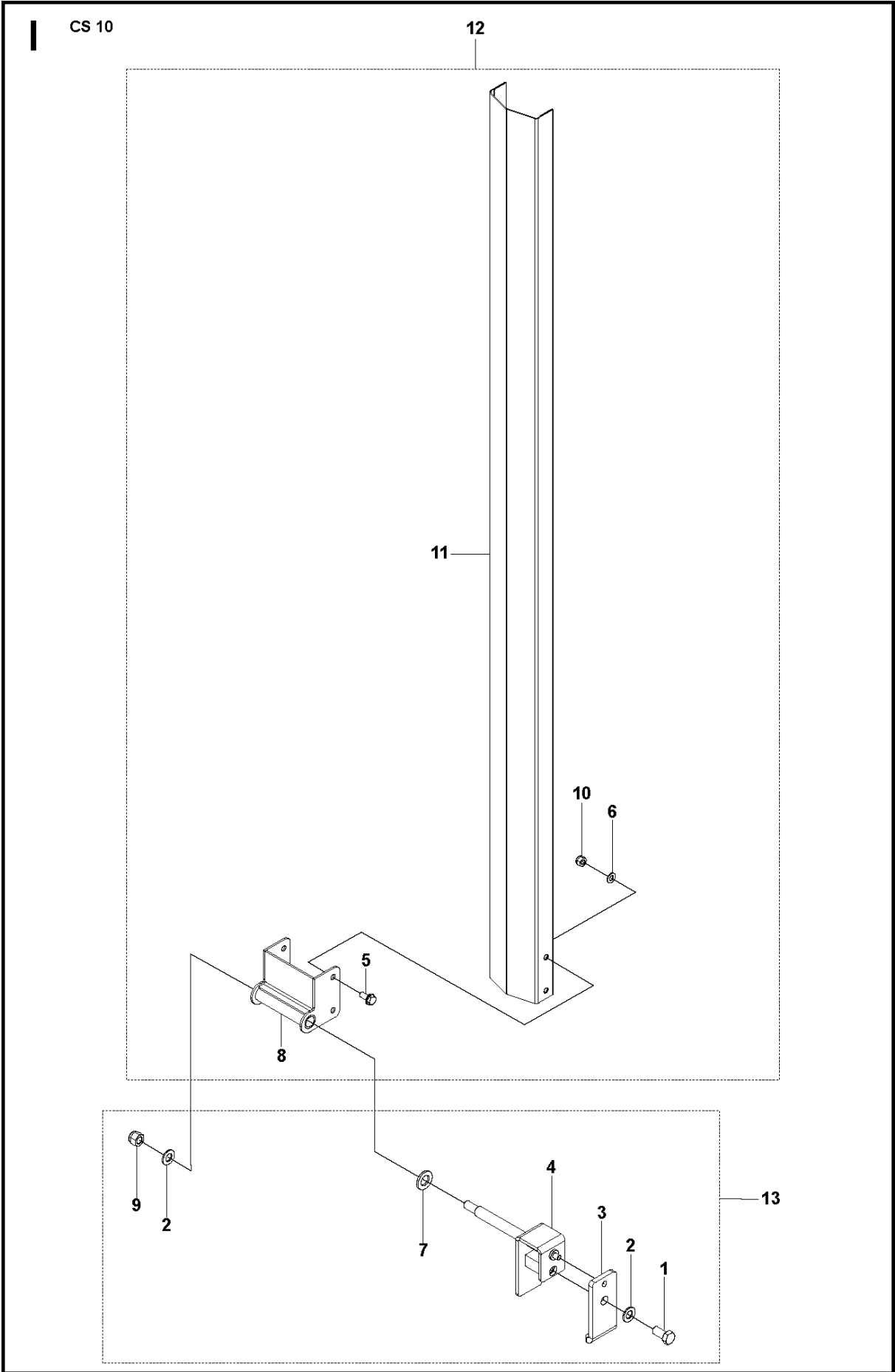




## COVER HOLDER

CS10, 2012-11

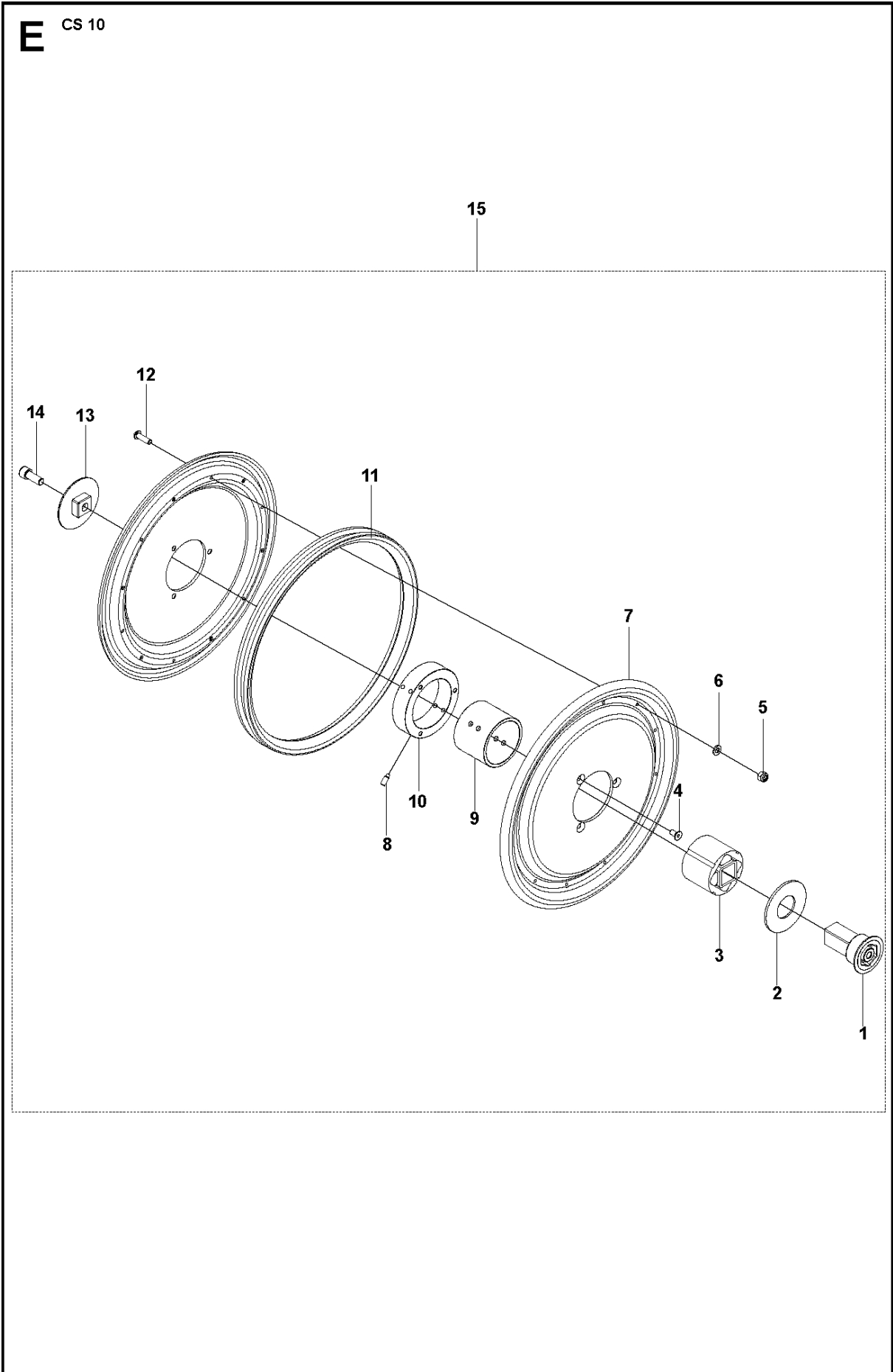
Ref	Part No	Description	Remark	QTY	KIT
1	576 34 18-01	GUIDE RAIL		1	16
2	576 41 70-01	BLOCK		1	16
3	576 34 11-01	SUPPORT		1	16
4	725 53 68-01	SCREW IHSCM		8	16
5	531 11 82-18	QUICK COUPLING		2	16
6	576 64 76-01	SEAL		3	16
7	531 11 93-37	PLUG		2	16
8	576 41 73-01	HOOK		2	16
9	740 38 27-01	SEALING WASHER		4	16
10	734 11 52-01	WASHER		4	16
11	731 43 20-01	HEXAGON THIN NUT		1	16
12	725 64 47-51	SCREW IHCSFM		2	16
13	725 25 01-51	SCREW EHHM		1	16
14	576 83 13-01	WING BOLT		2	16
15	531 12 30-95	WASSERSCHLAUCH		1	16
16	576 42 16-01	HOLDER ASSY		1	



## COVER WITH BRACKET

CS10, 2012-11

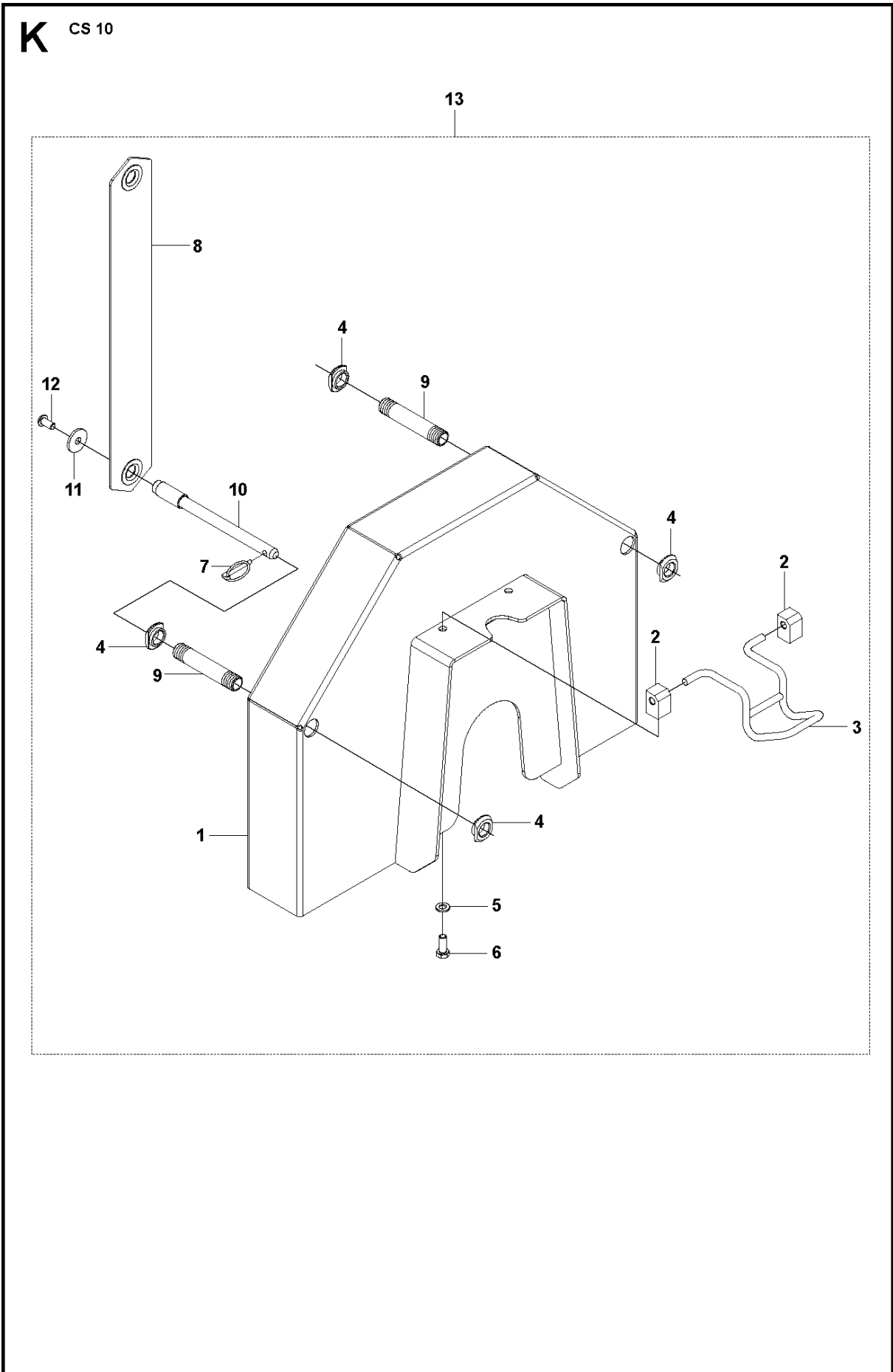
Ref	Part No	Description	Remark	QTY	KIT
1	531 11 92-03	SCREW		1	13
2	531 11 91-83	WASHER		2	13
3	576 43 24-01	WASHER		1	13
4	576 34 37-01	MOUNTING PIPE		1	13
5	531 11 92-24	SCREW		4	12
6	734 11 63-01	WASHER		4	12
7	734 11 86-01	WASHER		1	13
8	576 34 23-01	HOLDER ASSY		1	12
9	732 25 22-71	HEXAGON LOCKING NUT		1	13
10	732 25 18-01	HEXAGON LOCKING NUT		4	12
11	576 34 30-01	COVER		1	12
12	576 34 28-01	COVER		1	
13	576 34 20-01	HOLDER ASSY		1	



## DRIVING PULLEY

CS10, 2012-11

Ref	Part No	Description	Remark	QTY	KIT
1	576 29 47-01	SHAFT		1	15
2	581 07 38-01	FLANGE		1	15
3	576 29 48-01	DAMPER		1	15
4	725 64 49-51	SCREW IHCSFM		6	15
5	732 25 16-01	HEXAGON LOCKING NUT		12	15
6	734 11 52-01	WASHER		12	15
7	576 29 53-01	RIM		2	15
8	728 64 51-05	SCREW IHSETM		8	15
9	576 29 49-01	GUIDE		1	15
10	576 29 51-01	HUB		1	15
11	531 12 00-50	WEAR RUBBER 1295MM	Strip	1	15
11	587 70 15-01	RUBBER RING		1	
12	531 11 95-89	SCREW		12	15
13	581 07 39-01	FLANGE		1	15
14	531 11 92-25	SCREW		1	15
15	576 29 43-01	DRIVING PULLEY ASSY		1	



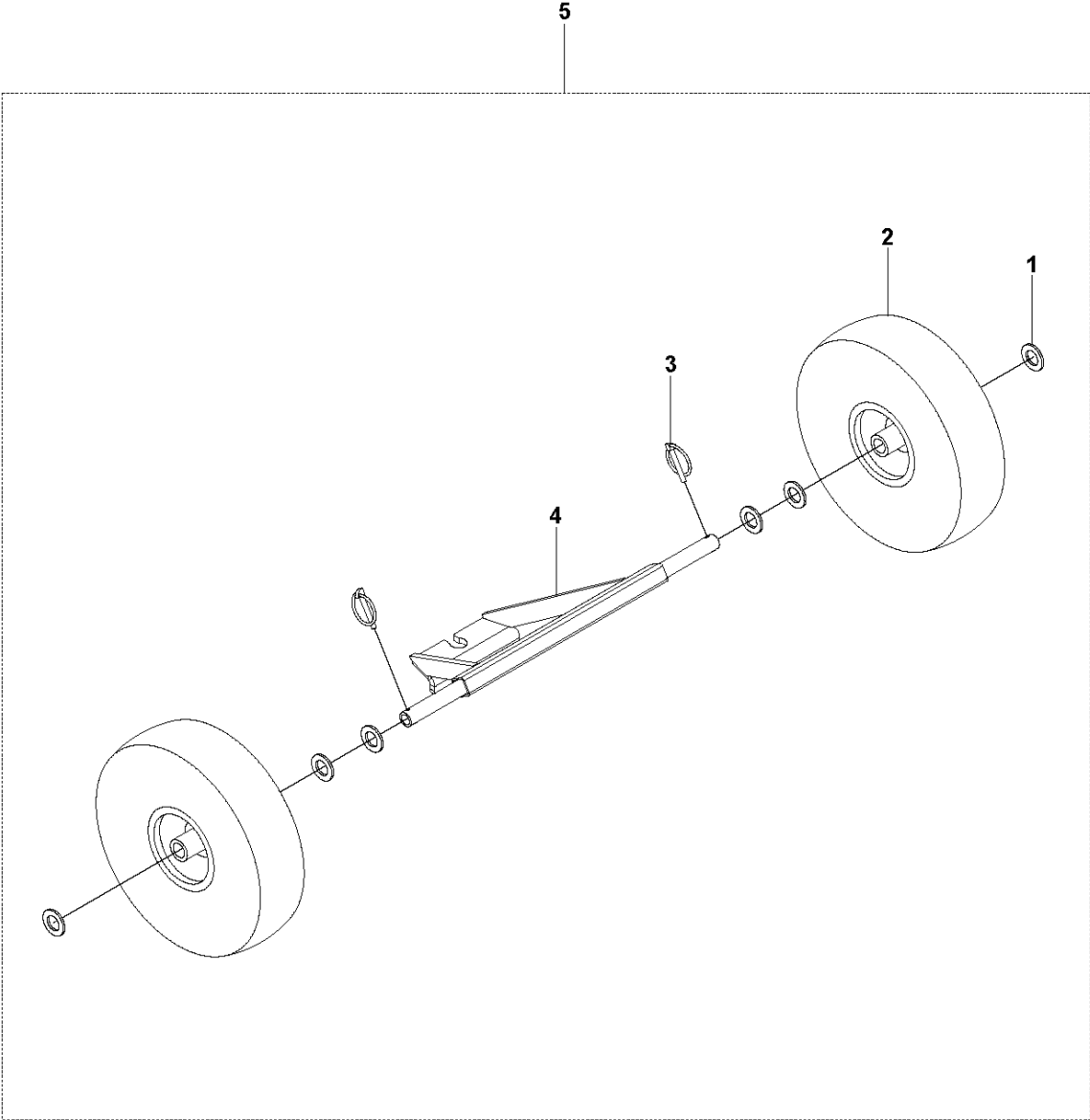
## DRIVING PULLEY GUARD ASSY

CS10, 2012-11

Ref	Part No	Description	Remark	QTY	KIT
1	576 34 12-01	DRIVING PULLEY		1	13
2	576 34 15-01	SCREW		2	13
3	576 34 16-01	HOLDING DEVICE		1	13
4	576 92 04-01	NUT FLANGE		4	13
5	734 11 52-01	WASHER		2	13
6	531 11 92-11	SCREW		2	13
7	531 11 94-36	LOCKING PIN		1	13
8	576 64 75-01	BAND		1	13
9	576 92 07-01	TUBE		2	13
10	576 92 06-01	SHAFT		1	13
11	505 15 08-01	WASHER		1	13
12	531 11 95-10	SCREW		1	13
13	576 34 10-01	DRIVING PULLEY		1	

L

CS 10



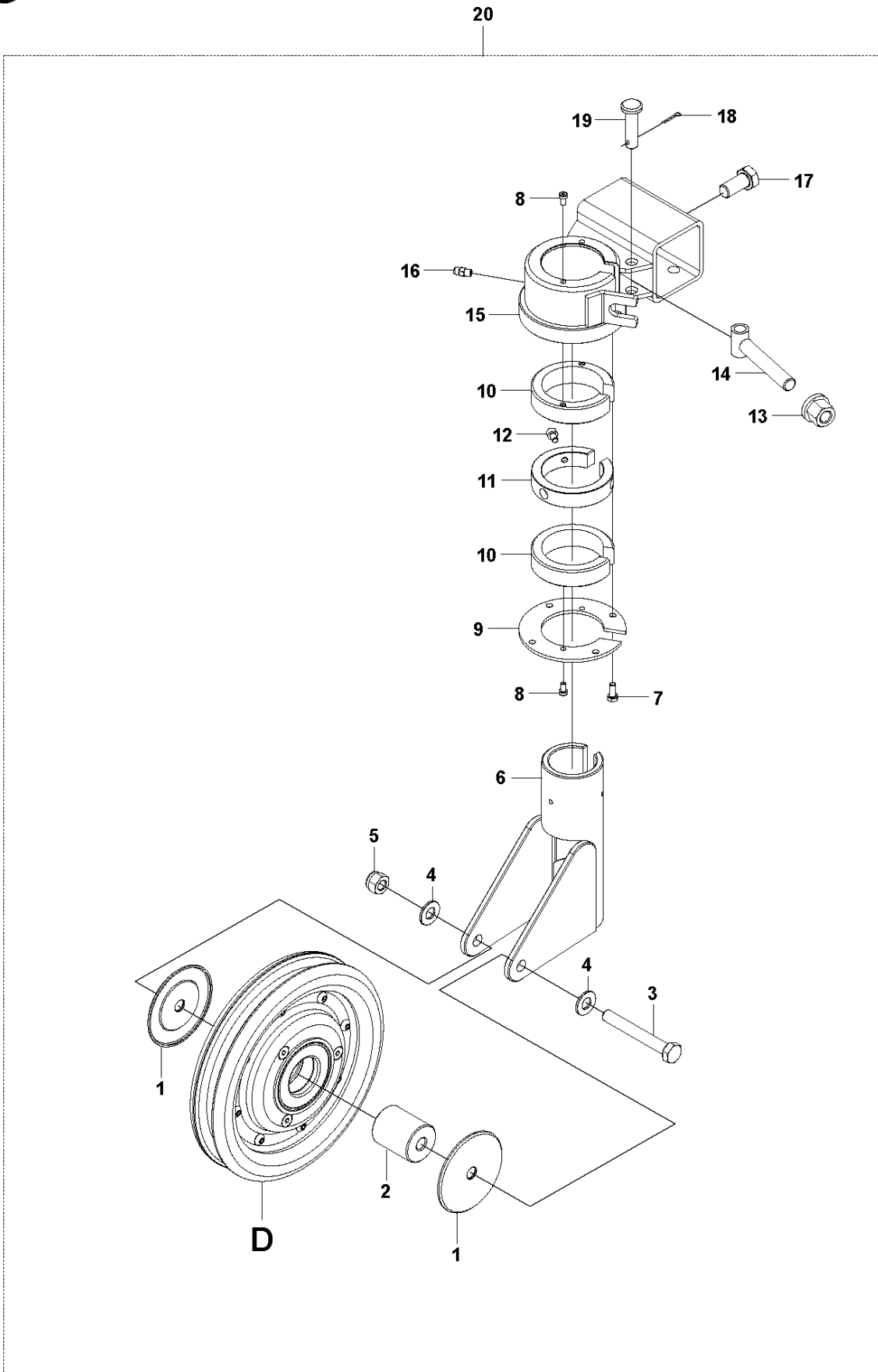


## WHEEL ASSY

CS10, 2012-11

Ref	Part No	Description	Remark	QTY	KIT
1	531 14 06-27	WASHER		6	5
2	531 11 90-07	WHEEL		2	5
3	531 14 06-23	PEN		2	5
4	576 59 98-01	SHAFT		1	5
5	576 54 62-01	WHEEL ASSY		1	

**G** CS 10

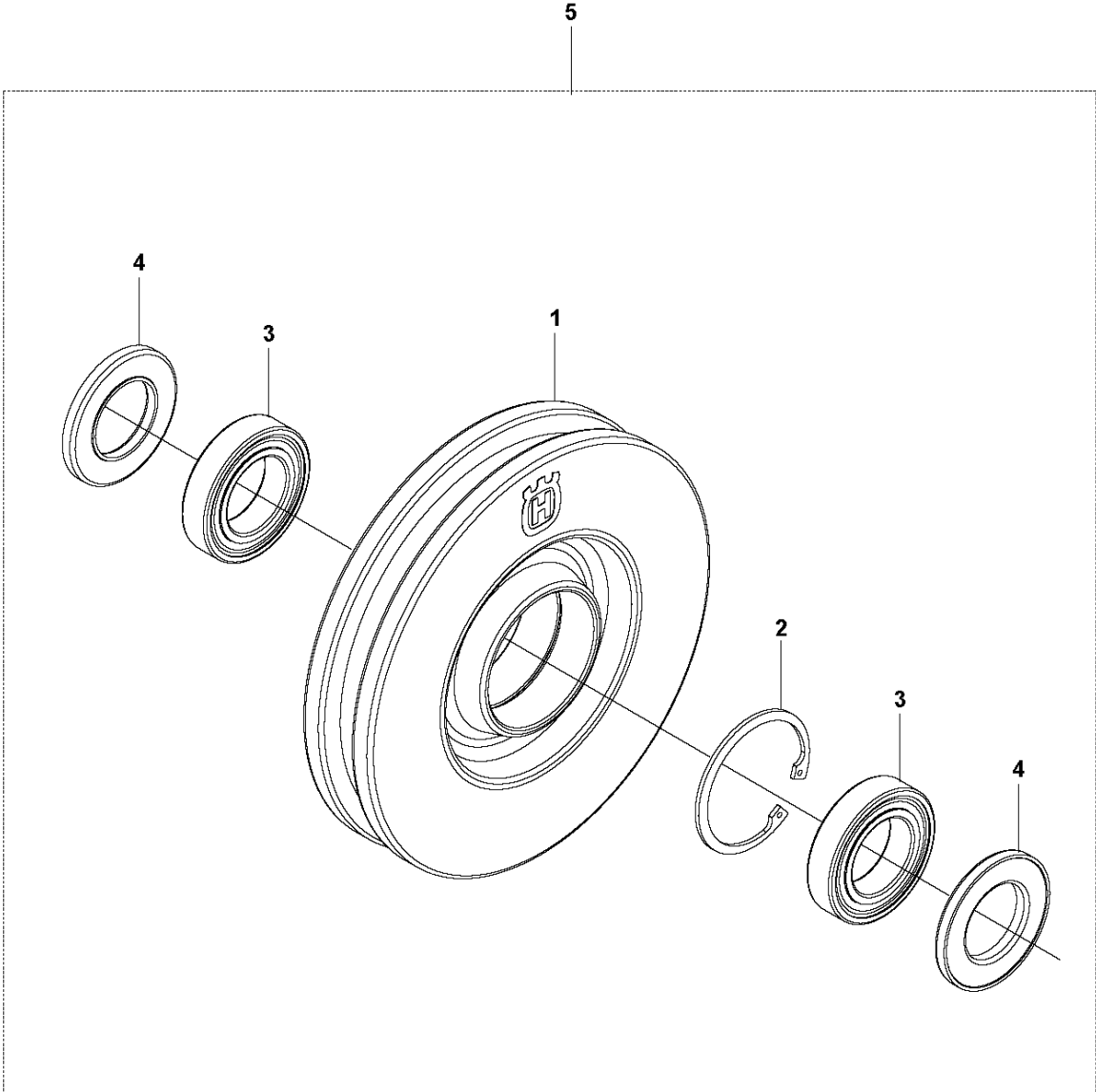


## WHEEL ASSY

CS10, 2012-11

Ref	Part No	Description	Remark	QTY	KIT
1	576 31 42-01	COVER LID		2	20
2	577 01 73-01	SHAFT		1	20
3	531 11 92-01	SCREW		1	20
4	531 11 91-81	WASHER		2	20
5	732 25 20-01	HEXAGON LOCKING NUT		1	20
6	577 01 69-01	FORK		1	20
7	531 11 92-08	SCREW		4	20
8	531 11 93-88	SCREW		4	20
9	577 01 72-01	LID		1	20
10	577 01 70-01	BEARING		2	20
11	577 01 71-01	RING		1	20
12	725 53 23-01	SCREW IHSCM		3	20
13	577 31 53-01	NUT		1	20
14	577 31 49-01	BOLT		1	20
15	577 02 25-01	BRACKET		1	20
16	577 40 11-01	GREASE		1	20
17	531 11 92-02	SCREW		1	20
18	577 31 52-01	PEN		1	20
19	577 31 51-01	BOLT		1	20
20	577 40 02-01	WHEEL ASSY		1	

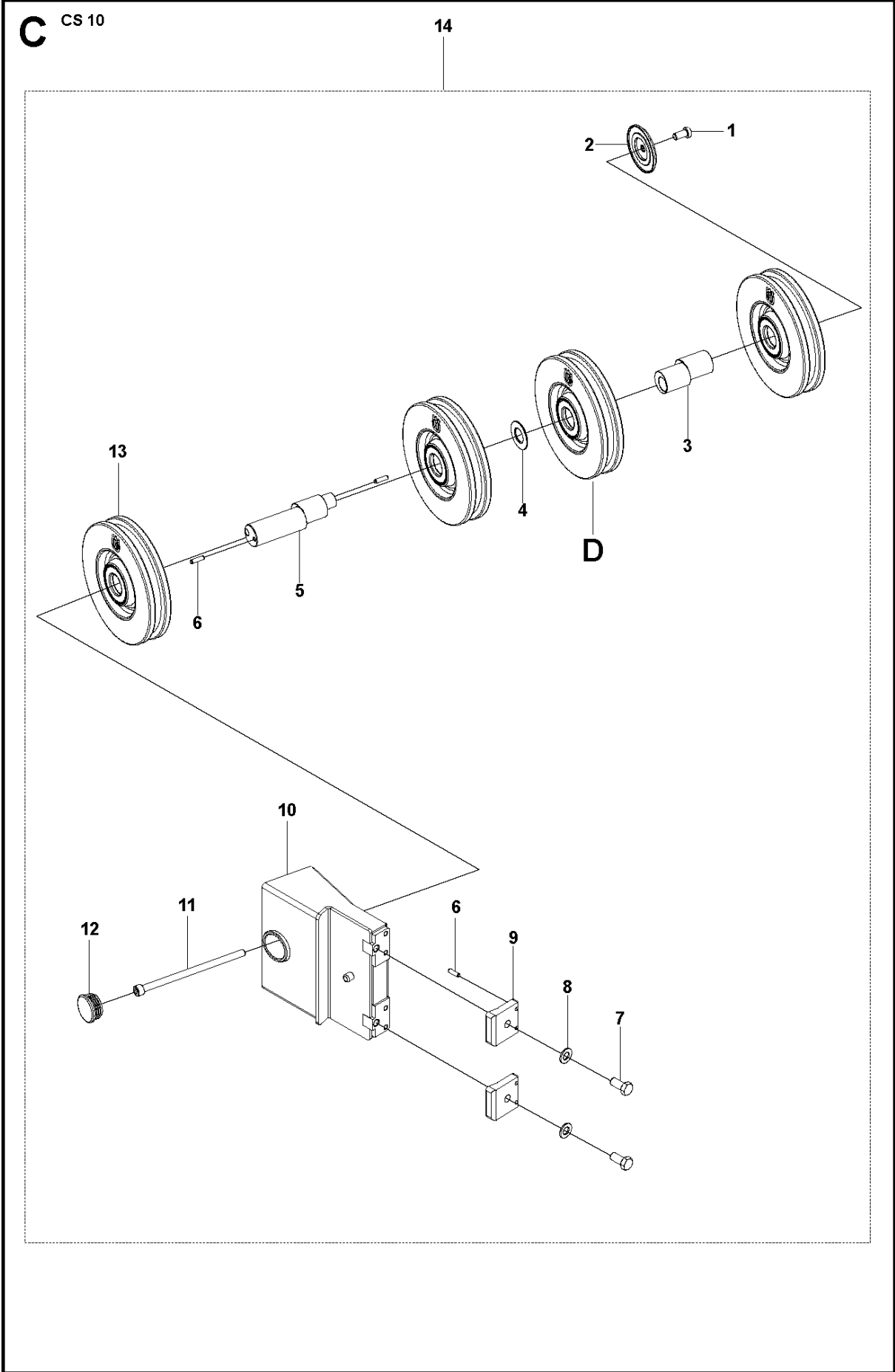
**D** CS 10



## WHEEL ASSY

CS10, 2012-11

Ref	Part No	Description	Remark	QTY	KIT
1	579 40 24-01	WHEEL		1	5
2	576 61 51-01	CLIP		1	5
3	738 21 07-04	BALL BEARING		2	5
4	576 61 43-01	DUST SEAL		2	5
5	579 65 98-01	PULLEY ASSY		1	



## WHEEL BRACKET, LOWER

CS10, 2012-11

Ref	Part No	Description	Remark	QTY	KIT
1	531 11 95-24	SCREW		1	14
2	576 31 22-01	COVER LID		1	14
3	576 31 32-01	SHAFT		1	14
4	576 31 36-01	WASHER		1	14
5	576 31 31-01	SHAFT		1	14
6	720 13 54-06	PARALLEL PIN		6	14
7	531 11 92-03	SCREW		2	14
8	531 11 91-83	WASHER		2	14
9	531 12 24-58	KLEMMBLECH		2	14
10	576 31 29-01	WHEEL BRACKET		1	14
11	510 13 91-01	SCREW		1	14
12	531 11 95-70	PLUG		1	14
13	579 65 98-01	PULLEY ASSY		4	14
14	576 31 37-01	WHEEL ASSY		1	

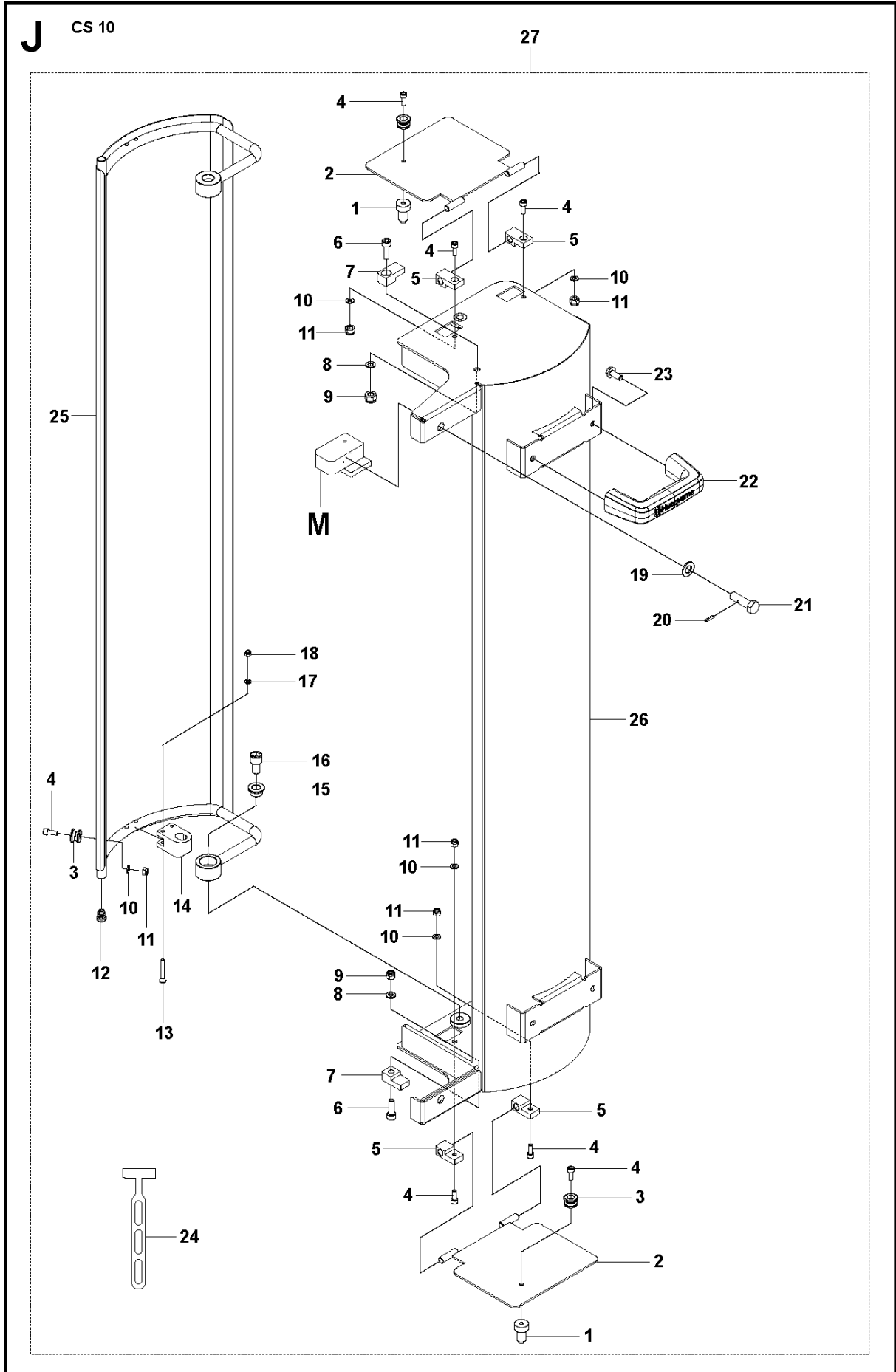




## WHEEL BRACKET, LOWER

CS10, 2012-11

Ref	Part No	Description	Remark	QTY	KIT
1	531 11 95-24	SCREW		1	16
2	576 31 22-01	COVER LID		1	16
3	576 61 40-01	WASHER		3	16
4	576 31 20-01	SHAFT		1	16
5	531 11 92-02	SCREW		1	16
6	531 11 91-83	WASHER		4	16
7	531 12 24-58	KLEMMBLECH		2	16
8	720 13 54-06	PARALLEL PIN		5	16
9	531 11 92-03	SCREW		2	16
10	576 31 16-01	WHEEL BRACKET		1	16
11	725 25 43-51	SCREW EHHM		1	16
12	576 61 45-01	SCREW		1	16
13	576 37 18-01	METAL COVER		1	16
14	725 25 52-51	SCREW EHHM		2	16
15	579 65 98-01	PULLEY ASSY		4	16
16	576 31 25-01	WHEEL BRACKET		1	



## WHEELS &amp; TIRES

CS10, 2012-11

Ref	Part No	Description	Remark	QTY	KIT
1	576 64 78-01	PEN		2	27
2	576 33 86-01	SHUTTER		2	27
3	531 12 23-43	STRAP ATTACHMENT		4	27
4	725 53 68-01	SCREW IHSCM		8	27
5	576 33 91-01	HINGE		4	27
6	725 54 55-01	SCREW IHSCM		2	27
7	576 34 03-01	TURNING KNOB ASSY		2	27
8	734 11 63-01	WASHER		2	27
9	732 25 18-01	HEXAGON LOCKING NUT		2	27
10	734 11 52-01	WASHER		6	27
11	732 25 16-01	HEXAGON LOCKING NUT		6	27
12	576 61 52-01	PLUG		2	27
13	725 63 37-51	SCREW IHCSFM		4	27
14	576 64 80-01	BLOCK		2	27
15	576 33 85-01	BEARING SLEEVE		2	27
16	504 90 91-13	FOOT PLATE		2	27
17	734 11 46-01	WASHER		4	27
18	732 25 14-01	HEXAGON LOCKING NUT		4	27
19	531 11 91-83	WASHER		2	27
20	544 28 00-01	SPRING PIN		2	27
21	576 34 07-01	SCREW		2	27
22	541 40 49-09	HANDLE		2	27
23	531 11 92-24	SCREW		4	27
24	576 64 73-01	ELASTIC STRAP		2	27
25	576 33 84-01	SLIDING COVER		1	27
26	576 32 94-01	GUARD		1	27
27	576 32 81-01	WHEEL GUARD		1	