

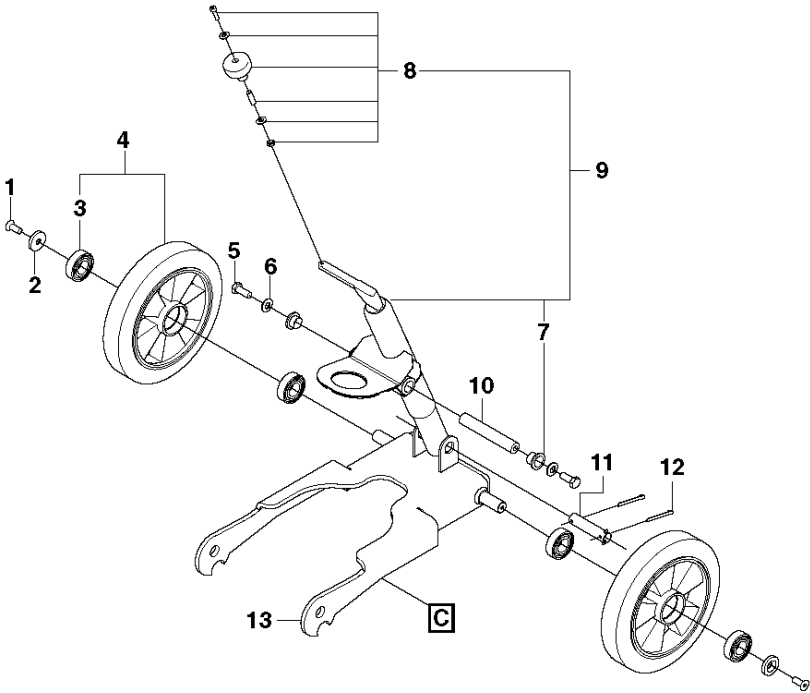


SPARE PARTS LIST

SURFACE PREPARATION EQUIPMENT

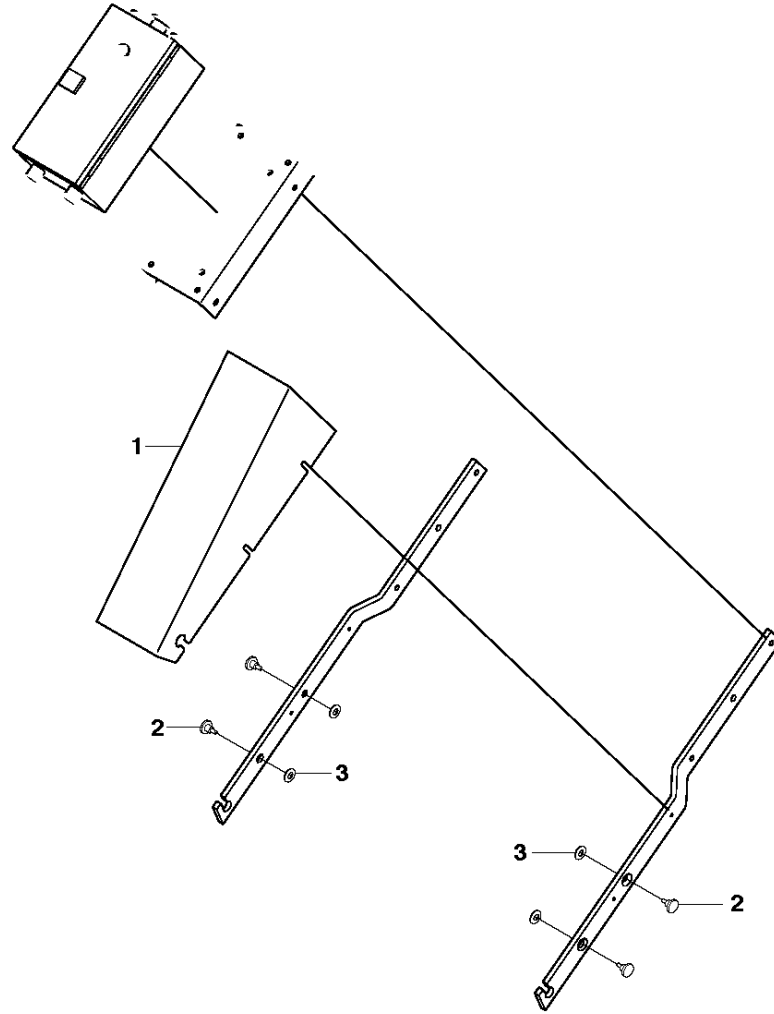
PG 280, from Serial number 2010 200001
to 2014 1399999, 2011-07

B PG 280



Ref	Part No	Description	Remark	QTY	KIT
1	725 53 68-51	SCREW IHSCM		2	
2	501 32 12-01	WASHER		2	
3	738 22 04-19	BALL BEARING		4	4
4	504 18 55-01	WHEEL		2	
5	725 24 93-76	SCREW EHHM		2	
6	734 11 72-01	WASHER		2	
7	510 21 75-01	BUSHING		2	9
8	574 56 89-01	KIT		1	9
9	574 70 32-01	ADJUSTING SCREW		1	
10	510 21 77-01	SHAFT PIVOT		1	
11	510 21 57-01	LOCKING PIN		1	
12	721 62 16-01	SPLIT PIN		2	
13	574 56 69-01	CHASSIS		1	

D PG 280



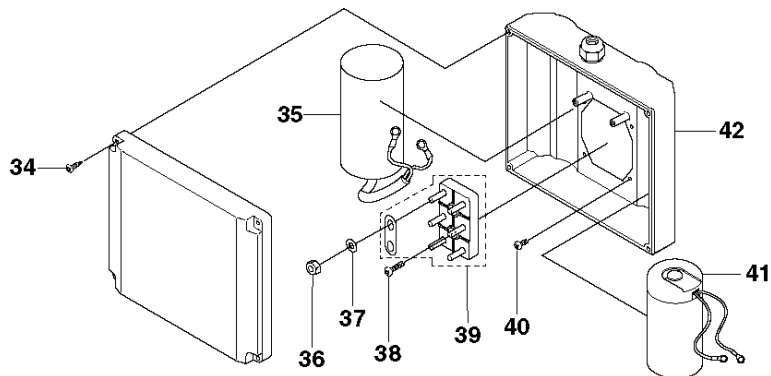
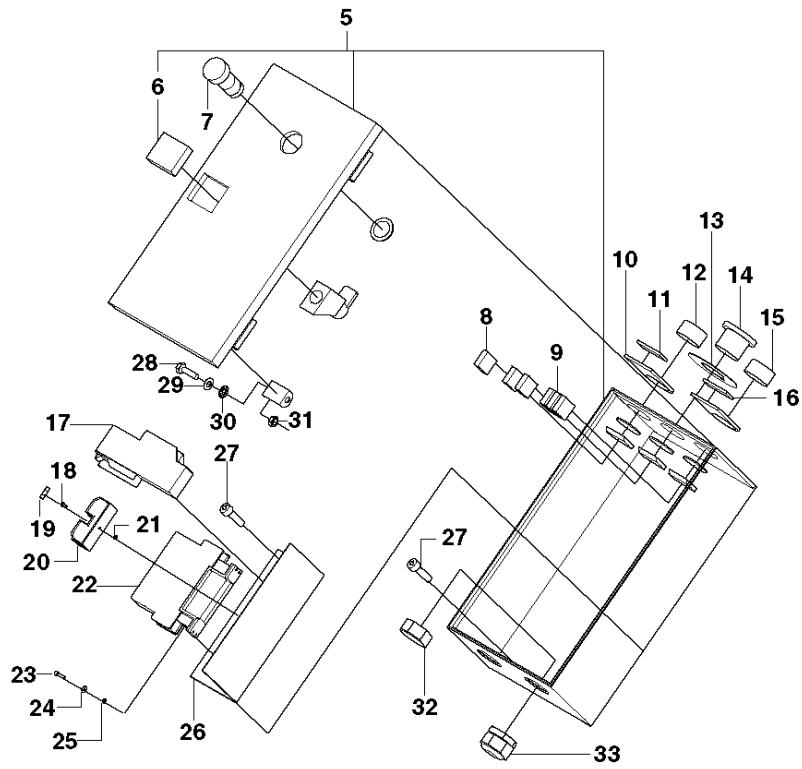
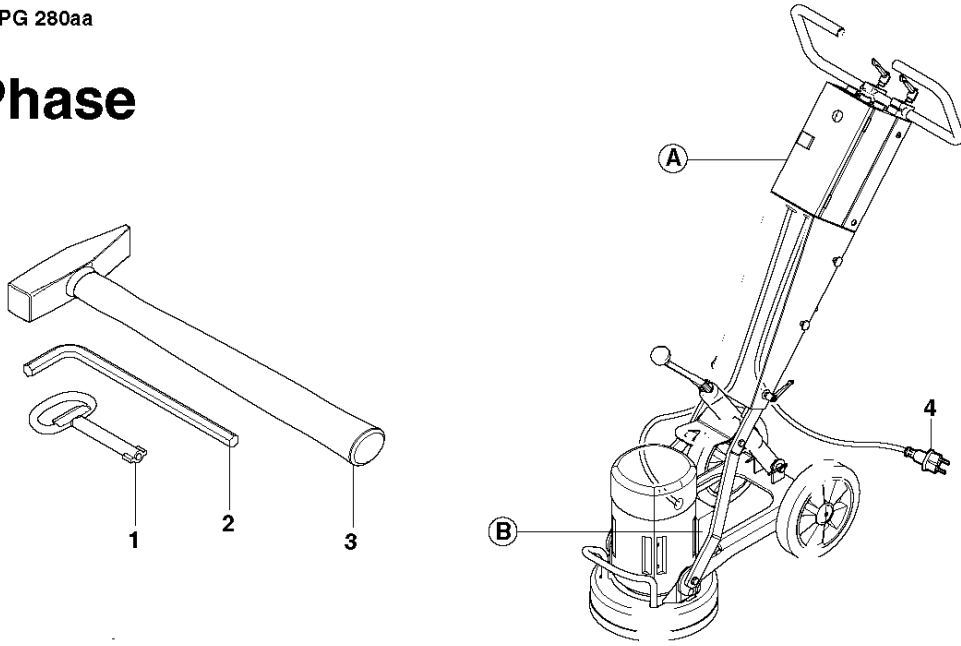
4

⚠ WARNING	
<p>CAUTION To Reduce the risk of injury from moving parts, stop before servicing.</p> <p>ATTENTION - DISCONNECT FROM SUPPLY BEFORE SERVICE - To reduce the risk of electric shock, unplug before servicing. - To reduce the risk of electric shock, do not expose to rain, water, liquids. - To reduce the risk of electric shock, keep extension cord disconnected dry and off the ground. - Deliver use For Household and Commercial Use</p>	<p>ATTENTION Afin de réduire le risque de blessures liées aux pièces mobiles, arrêtez toute opération d'entretien.</p> <p>AVERTISSEMENT - DÉBRANCHER LA MACHINE DE COURANT D'ALIMENTATION AVANT DE L'UTILISER. - Afin de réduire le risque de choc électrique, débranchez la machine avant toute opération de maintenance ou d'entretien. - Afin de réduire le risque de choc électrique, n'exposez pas la machine à la pluie, n'empêchez pas l'humidité d'y pénétrer. - Afin de réduire le risque de choc électrique, gardez le branchement de la rallonge au sec et suspendez-le au mur. Il ne tombe pas et est. - Étiquettes certifiées Pour une utilisation domestique et professionnelle.</p>

5

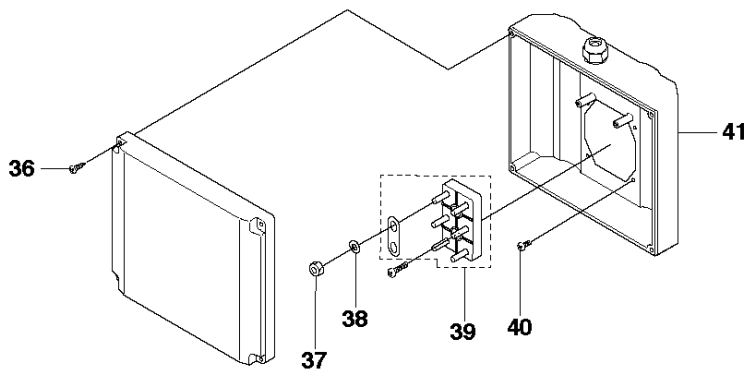
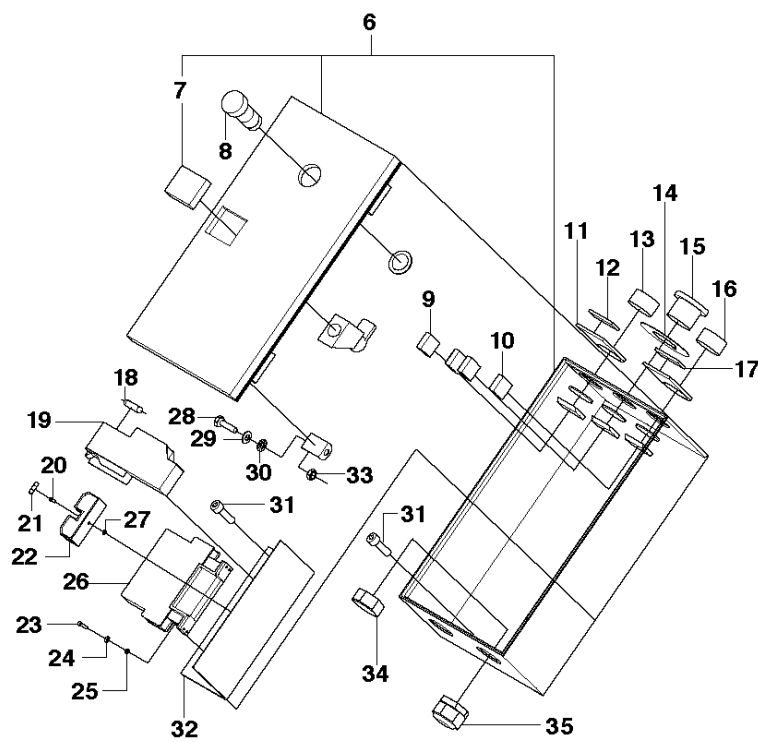
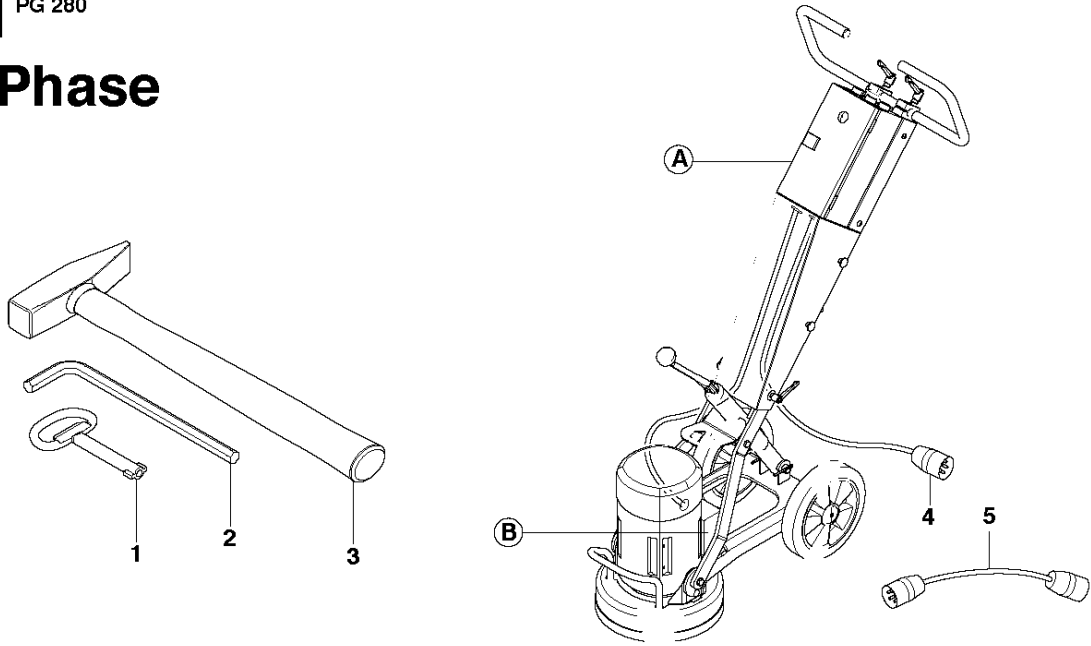
Ref	Part No	Description	Remark	QTY KIT
1	510 22 81-01	DUST COVER		1
2	510 36 16-01	SCREW		2
3	734 11 52-60	WASHER		2
4	574 44 57-01	LABEL		1
5	578 31 04-01	DECAL		1

E2 PG 280aa 1-Phase



Ref	Part No	Description	Remark	QTY	KIT
1	574 44 11-01	KEY		1	
2	531 11 95-36	INBUSSCHLUESSEL 8MM		1	
3	522 03 97-01	HAMMER		1	
4	525 84 19-01	CABLE	Incl plug CH	1	
4	525 84 19-02	CABLE	Incl plug, AUS	1	
4	525 84 19-03	CABLE	Incl plug, EU	1	
4	525 84 19-04	CABLE	Incl plug, 220V, US	1	
4	525 84 19-12	CABLE	Incl plug, 110V, US	1	
4	525 84 19-06	CABLE	Incl plug, JP	1	
4	525 84 19-09	CABLE	Brazil	1	
4	525 84 19-07	CABLE	Incl plug, UK	1	
6	516 06 21-01	LOCK		1	5
5	525 63 82-01	ELECTRIC BOX	EU/AUS/US/JP, 230V	1	
5	525 63 82-03	ELECTRIC BOX	US, 110V	1	
7	510 43 48-01	LED	EU/AUS/CH/US, 220V	1	
7	510 43 48-02	LED	US, 110V	1	
8	510 43 14-01	CONTACT PLATE		3	
9	510 43 15-01	CONTACT PLATE		3	
10	510 43 30-01	HOLDER		2	
11	510 43 31-01	SIGN		1	
12	510 43 11-01	PUSH BUTTON	Red	1	
13	510 43 16-01	WARNING SIGN		1	
14	510 43 13-01	PUSH BUTTON		1	
15	510 43 12-01	PUSH BUTTON	Green	1	
16	510 43 32-01	SIGN		1	
17	580 62 35-02	PROTECTION	220V, EU/AUS/US	1	
17	580 62 35-01	PROTECTION	110V, US/UK/JP	1	
18	725 53 25-01	SCREW IHSCM		1	
19	525 63 81-01	FUSE		1	
20	525 63 80-01	FUSE HOLDER		1	
21	732 25 14-01	HEXAGON LOCKING NUT		1	
22	584 90 41-01	CONTACTOR	220V, EU/AUS/US	1	
22	584 90 43-01	CONTACTOR	110V, US/UK/JP	1	
23	725 52 93-01	SCREW IHSCM		4	
24	734 11 36-01	WASHER		4	
25	732 25 12-01	HEXAGON LOCKING NUT		4	
26	516 06 24-01	SHEET		1	
27	725 53 64-55	SCREW IHSCM		6	
28	725 23 64-71	SCREW EHHM		1	
29	734 11 52-01	WASHER		2	
30	735 21 53-01	LOCK WASHER		2	
31	731 23 16-01	HEXAGON NUT		2	
32	510 43 18-01	NUT	EU/AUS/US/JP, 230V	2	
33	575 48 98-02	GROMMET	US/CAN, 110V	1	
32	585 87 52-01	NUT	US/CAN, 110V	1	
33	510 43 17-01	STRAIN RELIEVER	EU/AUS/US/JP, 230V	2	
34	729 52 83-01	SCREW CRPANT		4	
35	577 84 10-01	CAPACITOR	100-120V, 60Hz, US/JP	1	
35	577 84 10-02	CAPACITOR	200-230V EU	1	
35	577 84 10-03	CAPACITOR	200-230V, US/CAN/Brazil	1	
35	577 84 10-04	CAPACITOR	100-120V, 50Hz, UK/JP	1	
36	731 23 14-01	HEXAGON NUT		6	
37	734 11 45-71	WASHER		6	
39	577 81 26-01	TERMINAL BLOCK		1	
40	724 12 89-51	SCREW		4	
41	577 81 25-01	CAPACITOR	100-120V, 60Hz, US/JP	1	
41	577 81 25-02	CAPACITOR	200-230V, EU/US/CAN/Brazil	1	
41	577 81 25-04	CAPACITOR	110V, 50Hz, UK/JP	1	
42	577 81 22-03	BOX		1	

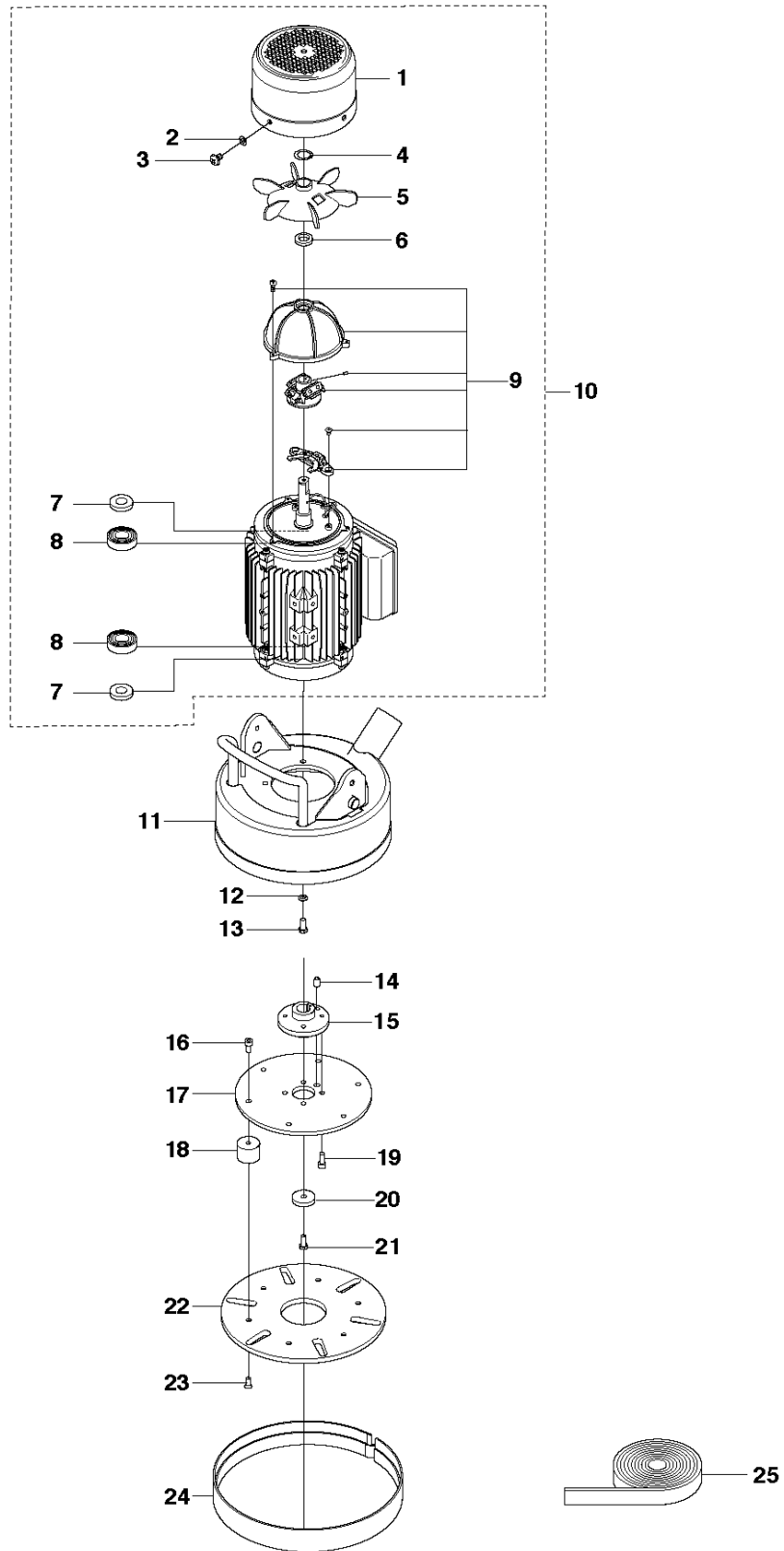
E1 PG 280 3-Phase



Ref	Part No	Description	Remark	QTY	KIT
1	574 44 11-01	KEY		1	
2	531 11 95-36	INBUSSCHLUESSEL 8MM		1	
3	522 03 97-01	HAMMER		1	
4	529 31 61-01	CABLE	Incl plug	1	
5	574 52 41-01	CABLE ASSY	Australia	1	
6	525 63 82-01	ELECTRIC BOX		1	
7	516 06 21-01	LOCK		1	6
8	510 43 48-01	LED		1	
9	510 43 14-01	CONTACT PLATE		3	
10	510 43 15-01	CONTACT PLATE		1	
11	510 43 30-01	HOLDER		2	
12	510 43 31-01	SIGN		1	
13	510 43 11-01	PUSH BUTTON	Red	1	
14	510 43 16-01	WARNING SIGN		1	
15	510 43 13-01	PUSH BUTTON		1	
16	510 43 12-01	PUSH BUTTON	Green	1	
17	510 43 32-01	SIGN		1	
18	516 06 23-01	RESISTOR		1	
19	579 27 63-01	PROTECTION		1	
20	725 53 25-01	SCREW IHSCM		1	
21	525 63 81-01	FUSE		2	
22	525 88 26-01	FUSE HOLDER		1	
23	725 52 93-01	SCREW IHSCM		4	
24	734 11 36-01	WASHER		4	
25	732 25 12-01	HEXAGON LOCKING NUT		4	
26	579 27 60-01	CONTACTOR		1	
27	732 25 14-01	HEXAGON LOCKING NUT		1	
28	725 23 64-71	SCREW EHHM		1	
29	734 11 52-01	WASHER		2	
30	735 21 53-01	LOCK WASHER		2	
31	725 53 64-55	SCREW IHSCM		6	
32	516 06 24-01	SHEET		1	
33	731 23 16-01	HEXAGON NUT		2	
34	510 43 18-01	NUT		2	
35	510 43 17-01	STRAIN RELIEVER		2	
36	729 52 83-01	SCREW CRPANT		4	
37	731 23 14-01	HEXAGON NUT		6	
38	734 11 45-71	WASHER		6	
39	577 81 26-01	TERMINAL BLOCK		1	
40	724 12 89-51	SCREW		4	
41	577 81 22-03	BOX		1	

A2 ^{PG 280}

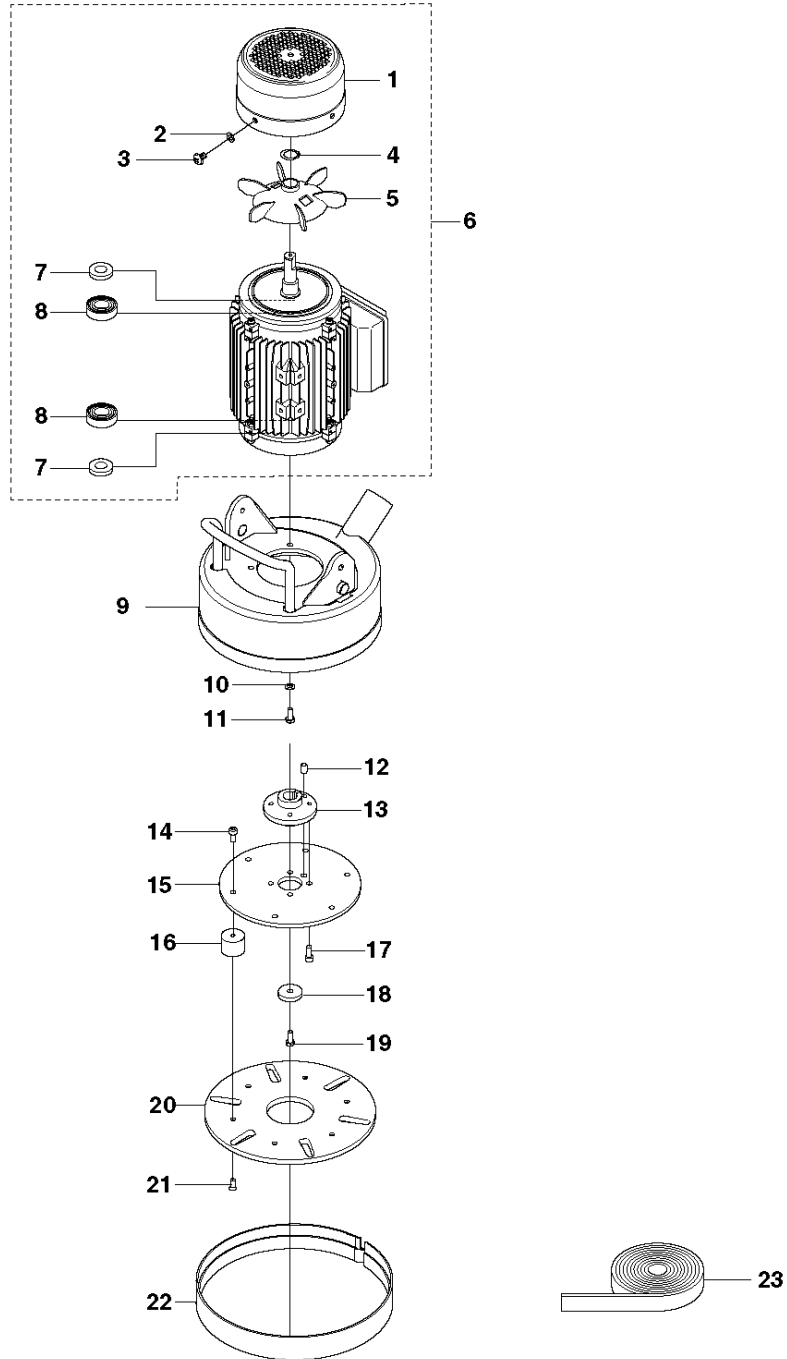
1-Phase



GRINDING HEAD AND MOTOR PG 280, from Serial number 2010 200001 to 2014 1399999, 2011-07

Ref	Part No	Description	Remark	QTY	KIT
1	577 81 24-01	FAN COVER		1	10
2	734 11 45-71	WASHER		4	10
3	724 13 23-01	SCREW CRPANM		4	10
4	735 31 21-00	CIRCLIP		1	10
5	577 81 23-01	FAN		1	10
6	577 98 37-01	V-RING		1	10
7	577 98 39-01	RADIAL SEAL		2	10
8	738 22 06-24	BALL BEARING		2	10
9	577 81 28-01	CENTRIFUGAL CLUTCH	100-120V, 60Hz, US/CAN/JP	1	10
9	577 81 28-02	CENTRIFUGAL CLUTCH	200-230V, EU/AUS	1	10
9	577 81 28-03	CENTRIFUGAL CLUTCH	200-230V, US/CAN/Brazil	1	10
9	577 81 28-04	CENTRIFUGAL CLUTCH	100-120V, 50Hz, UK/JP	1	10
10	510 43 50-02	MOTOR	200-230V, EU/AUS	1	
10	576 01 80-01	MOTOR	100-120V, 60Hz, US/CAN/JP	1	
10	510 43 50-03	MOTOR	200-230V,US/CAN	1	
10	578 15 52-01	MOTOR	100-120V, 50 Hz, UK/JP	1	
11	574 70 31-01	MOTOR BRACKET		1	
12	734 11 63-01	WASHER		4	
13	725 54 55-01	SCREW IHSCM		4	
14	721 44 09-01	PIN		1	
15	510 21 33-01	HUB		1	
16	725 64 47-55	SCREW IHCSFM		6	
17	510 21 30-01	ATTACHMENT PLATE		1	
18	510 21 31-01	RUBBER DAMPER		6	
19	725 54 51-55	SCREW IHSCM		4	
20	510 23 51-01	WASHER		1	
21	725 24 95-71	SCREW EHHM		1	
22	522 67 73-01	HOLDER DISC		1	
23	725 64 49-55	SCREW IHCSFM		6	
24	574 27 20-01	SKIRT		1	
25	525 55 51-01	VELCRO STRIP (HOOK)		1	

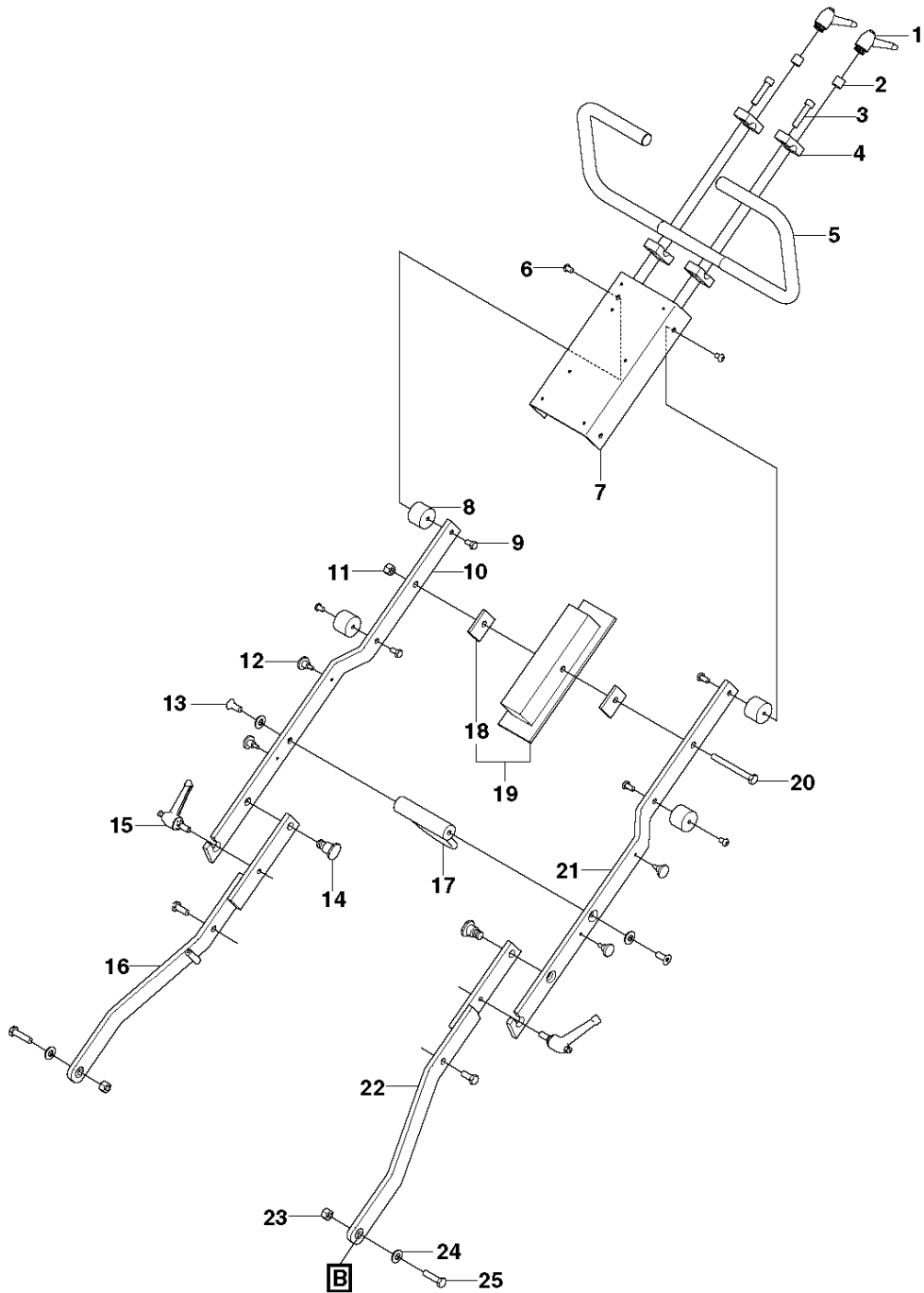
A1 ^{PG 280} 3-Phase



GRINDING HEAD AND MOTOR PG 280, from Serial number 2010 200001 to 2014 1399999, 2011-07

Ref	Part No	Description	Remark	QTY	KIT
1	577 81 24-02	FAN COVER		1	6
2	734 11 45-71	WASHER		4	6
3	724 13 23-01	SCREW CRPANM		4	6
4	735 31 21-00	CIRCLIP		1	6
5	577 81 23-01	FAN		1	6
6	510 20 84-02	MOTOR		1	
7	577 98 39-01	RADIAL SEAL		2	6
8	738 22 06-24	BALL BEARING		2	6
9	574 70 31-01	MOTOR BRACKET		1	
10	734 11 63-01	WASHER		4	
11	725 54 55-01	SCREW IHSCM		4	
12	721 44 09-01	PIN		1	
13	510 21 33-01	HUB		1	
14	725 64 47-55	SCREW IHCSFM		6	
15	510 21 30-01	ATTACHMENT PLATE		1	
16	510 21 31-01	RUBBER DAMPER		6	
17	725 54 51-55	SCREW IHSCM		4	
18	510 23 51-01	WASHER		1	
19	725 24 95-71	SCREW EHHM		1	
20	522 67 73-01	HOLDER DISC		1	
21	725 64 49-55	SCREW IHCSFM		6	
22	574 27 20-01	SKIRT		1	
23	525 55 51-01	VELCRO STRIP (HOOK)		1	

C PG 280



HANDLE BAR AND FRAME PG 280, from Serial number 2010 200001 to 2014 1399999, 2011-07

Ref	Part No	Description	Remark	QTY	KIT
1	510 24 48-01	HANDLE		2	
2	510 22 96-01	SPACER		2	
3	725 55 00-55	SCREW IHSCM		2	
4	510 22 93-01	BRACKET		4	
5	510 22 94-01	HANDLE		1	
6	576 01 38-01	SCREW IHPANM		4	
7	510 22 88-01	FRAME		1	
8	510 22 78-01	RUBBER DAMPER		4	
9	725 24 49-71	SCREW EHHM		4	
10	510 22 69-01	FORK	Right	1	
11	732 25 20-01	HEXAGON LOCKING NUT		3	
12	510 36 16-01	SCREW		4	
13	725 64 93-55	SCREW IHCSFM		2	
14	510 22 84-01	BUSHING		2	
15	510 22 82-01	LOCKING HANDLE		2	
16	510 21 60-01	ARM	Right	1	
17	510 22 70-01	HOSE CLIP		1	
18	522 48 72-01	SPACER		2	19
19	574 55 55-01	KIT		1	
20	725 25 11-51	SCREW EHHM		1	
21	510 22 68-01	FORK	Left	1	
22	510 21 59-01	ARM	Left	1	
23	732 25 20-01	HEXAGON LOCKING NUT		2	
24	734 11 72-01	WASHER		4	
25	725 25 00-81	SCREW EHHM		2	