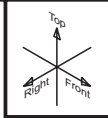
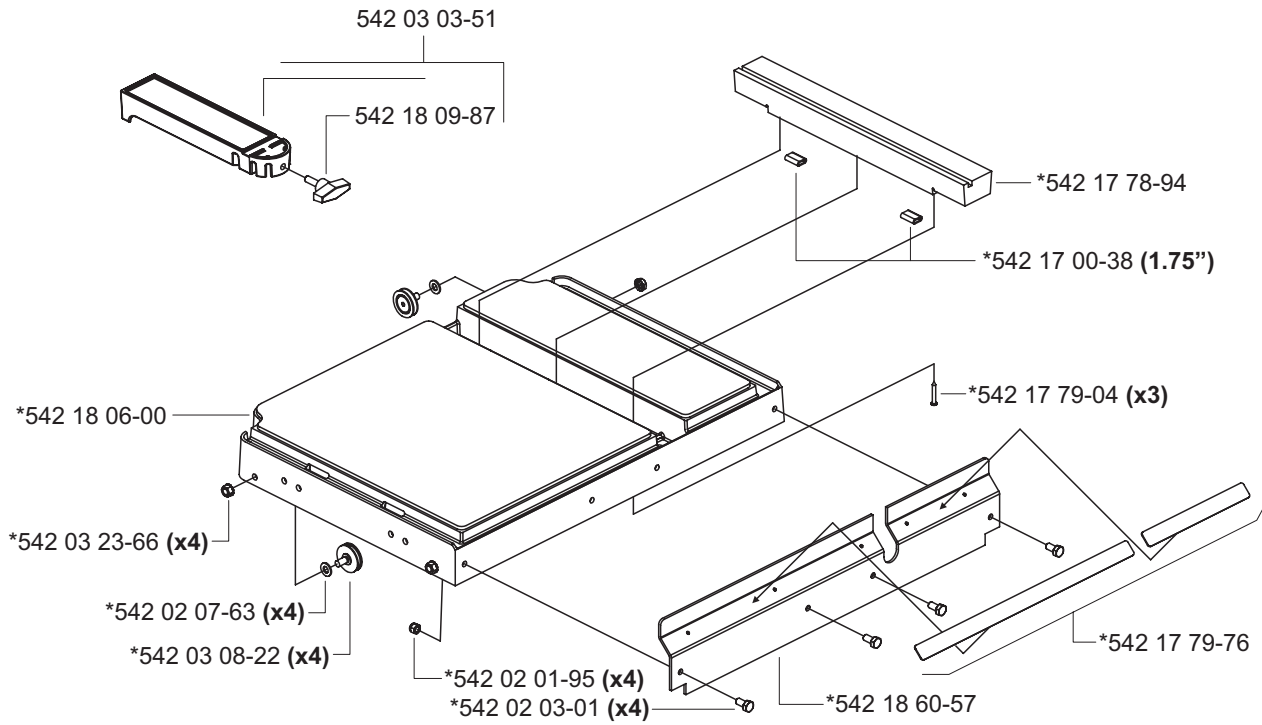


E Conveyor Cart

*542 19 04-18 Compl



12.07.06

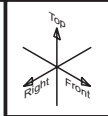


542 03 00-49 - Wheel Kit

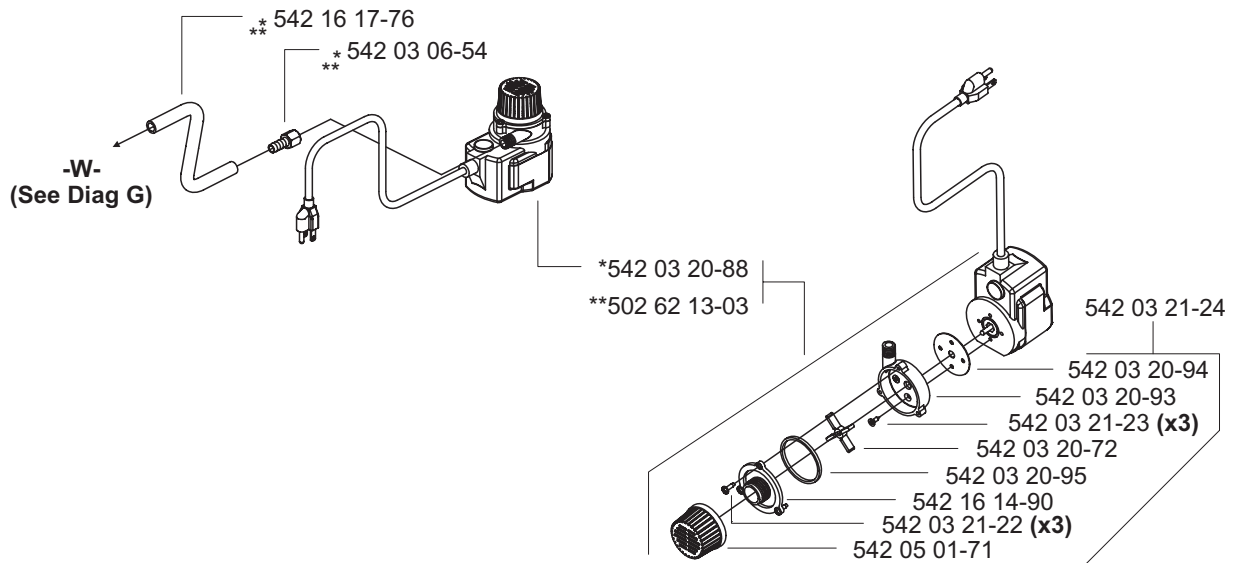
F Water Pump

*542 03 26-05 Compl (115V/50-60Hz)

**542 03 26-06 Compl (230V/50-60Hz)

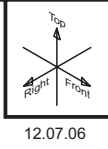


11.28.06

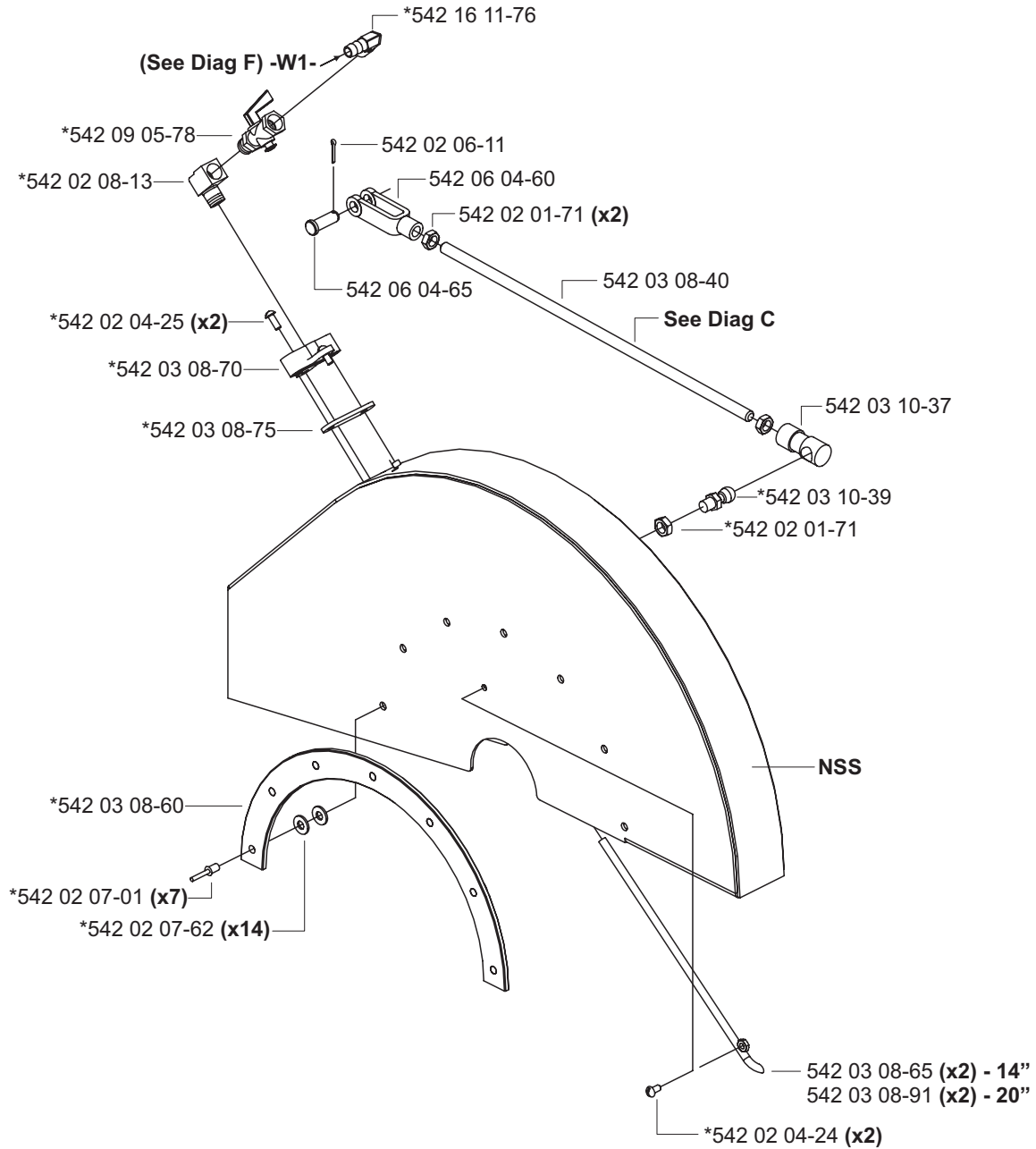


G Blade Guards

542 20 54-35 Compl - 20"
 542 20 54-36 Compl - 14"



12.07.06



WARNING

- Read and understand the entire operators manual before using this machine.
- If you DO NOT have an Operators Manual, Call Toll Free 1-800-288-5040
- Machinery Hazard
 - Always keep all guards in place.
 - Always keep all parts of your body away from all moving parts.
- Always use only in well ventilated areas.
- DO NOT operate near combustible material.

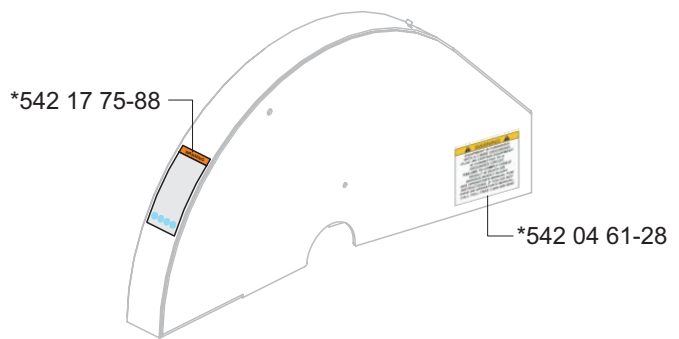
Always wear approved equipment.

542 17 75-88

542 04 61-28

WARNING

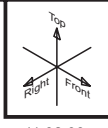
EQUIPMENT IS FURNISHED WITH A 3 WIRE GROUNDING PLUG. BE CERTAIN EQUIPMENT IS CONNECTED TO A GROUNDING CIRCUIT. FAILURE TO COMPLY COULD RESULT IN DEATH OR SERIOUS BODILY INJURY. SEE OPERATOR'S MANUAL FOR INSTRUCTIONS. IF YOU DO NOT HAVE AN OPERATOR'S MANUAL, CALL TOLL FREE 1-800-288-5040



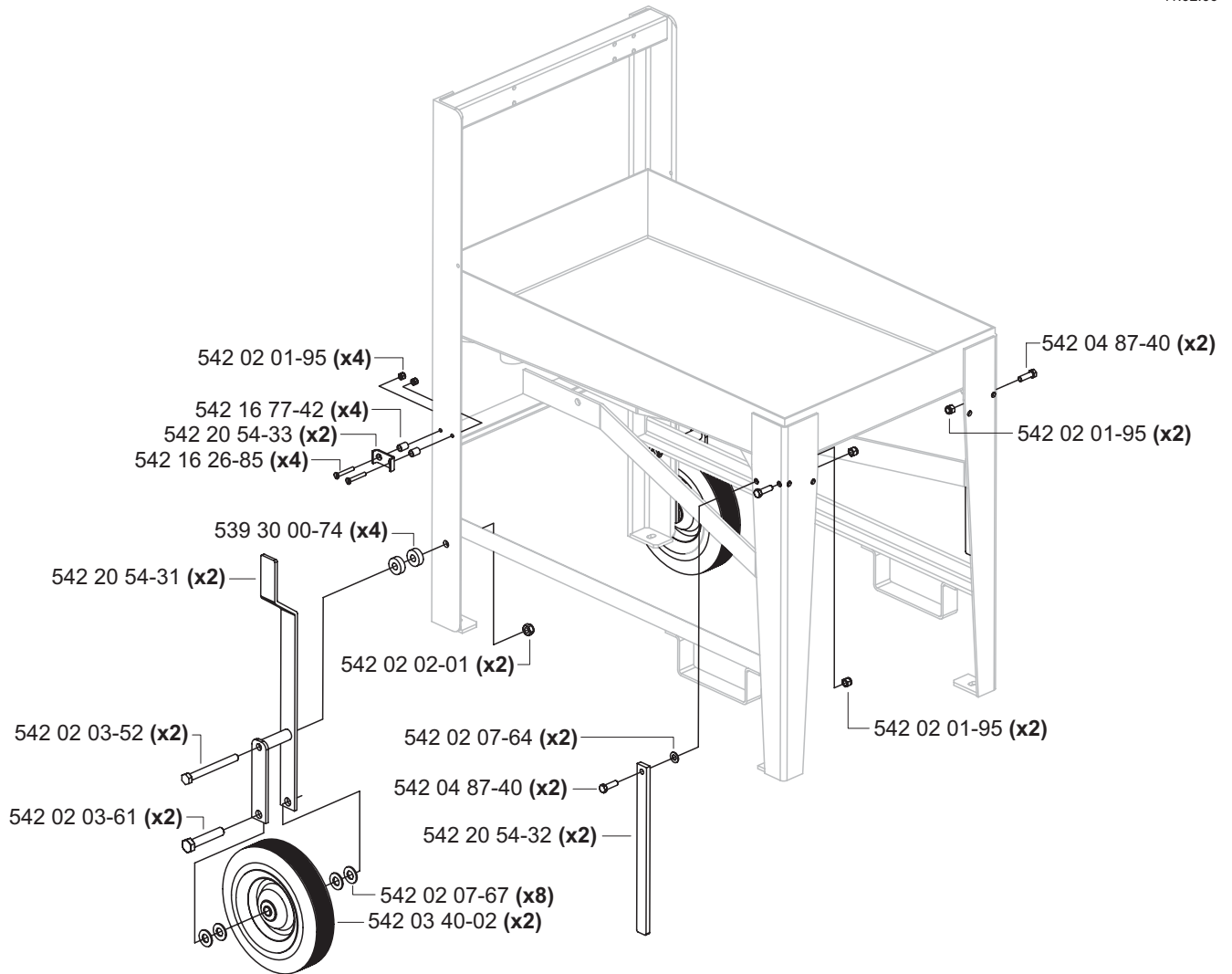
NSS - Not Sold Separately

H Wheel-Around Kit

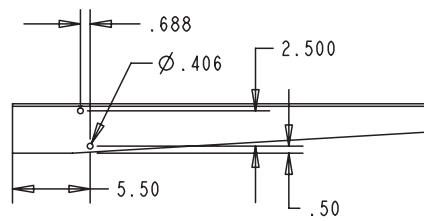
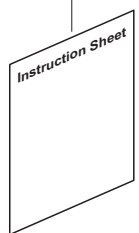
542 03 40-00 Compl



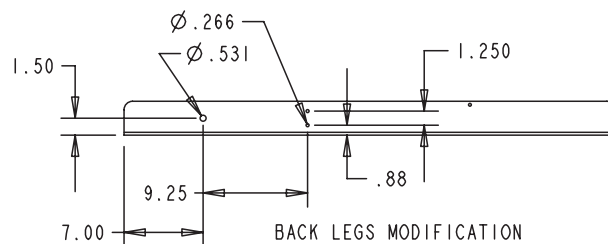
11.02.06



000 A0 30-00



FRONT LEGS MODIFICATION



BACK LEGS MODIFICATION

Husqvarna Construction Products N. A.
Corporate Office
17400 West 119th Street
Olathe, Kansas 66061
Tel. 913-928-1000
Fax 913-438-7951

Customer Service: 800-288-5040
Customer Serv. Fax: 800-825-0028



DUST WARNING



Cutting, especially when DRY cutting, generates dust that comes from the material being cut, which frequently contains silica. Silica is a basic component of sand, quartz, brick clay, granite and numerous other minerals and rocks. Exposure to excessive amount of such dust can cause:

- Respiratory diseases (affecting your ability to breath), including chronic bronchitis, silicosis and pulmonary fibrosis from exposure to silica. These diseases may be fatal;
- Skin irritation and rash; and
- Cancer according to NTP* and IARC*
* National Toxicology Program / International Agency for Research on Cancer

Take precautionary steps

- Avoid inhalation of and skin contact with dust, mist and fumes;
- Wet cut when feasible, to minimize dust;
- Wear and ensure that all bystanders wear appropriate respiratory protection such as dust masks designed to filter out microscopic particles. (See OSHA 29 CFR Part 1910.1200)

California Prop 65 Warning:

Use of this product can cause exposure to materials known to the State of California to cause cancer and/or birth defects or other reproductive harm.



Printed in the USA