



- FR** Manuel d'utilisation et d'entretien
- GB** Operator's manual
- DE** Betriebs- und Wartungsanleitung
- IT** Manuale di istruzioni
- ES** Manual de explicaciones
- NL** Gebruiksaanwijzing
- SE** Drift- och underhållshandbok
- PO** Manual de instruções

TS100R

DECLARATION DE CONFORMITE AUX DIRECTIVES EUROPEENNES

HUSQVARNA CONSTRUCTION PRODUCTS, 433 81 Gothenburg, Sweden, déclare que la machine **TS100R** est conforme aux dispositions des DIRECTIVES :

- "MACHINES" modifiées (89/392/CEE)
- "BASSE TENSION" modifiées (73/23/CEE)
- "CEM" (89/336/CEE)
- "BRUITS" (2000/14/CEE)
- "DECHETS D'EQUIPEMENTS ELECTRIQUES ET ELECTRONIQUES (DEEE)" (2002/96/CE)

EG-RICHTLIENEN – KONFORMITÄTS-ERKLÄRUNG

HUSQVARNA CONSTRUCTION PRODUCTS, 433 81 Gothenburg, Sweden, erklärt hiermit, daß die machine **TS100R** konform ist, mit der :

- "MACHINENBAURICHTLINIE" in Änderungs-fassung (89/392/CEE)
- "NIEDERSPANNUNGSRICHTLINIE" in Änderungs-fassung (73/23/CEE)
- Linie "ELEKTROMAGNETISCHESTÖR-SICHERHEIT" (89/336/CEE)
- "LÄRMSCHUTZRICHTLINIE" (2000/14/CEE)
- "ELEKTRO-UND ELEKTRONIK-ALTOERATE" (2002/96/EG)

DICHIARAZIONE DI CONFORMITA' ALLE DIRETTIVE EUROPEE

HUSQVARNA CONSTRUCTION PRODUCTS, 433 81 Gothenburg, Sweden, dichiara che la macchina **TS100R** est conforme e conforme alle disposizioni della DIRETTIVA :

- "MACCHINE" modificata (89/392/CEE)
- "BASSA TENSIONE" modificata (73/23/CEE)
- "CEM" (89/336/CEE)
- "RUMORI" (2000/14/CEE)
- "DI APPARECCHIATURE ELETTRICHE ED ELETTRONICHE (RAEE)" (2002/96/CE)

FÖRSÄKRAN OM ÖVERENSSTÄMMELSE ENLIGT EU-DIREKTIVEN:

HUSQVARNA CONSTRUCTION PRODUCTS, 433 81 Gothenburg, Sweden, intygar härmed att maskinen **TS100R** uppfyller villkoren i följande DIREKTIV:

- "MASKINER" och senare ändringar (89/392/CEE)
- "LÅGSPÄNNINGAR" och senare ändringar (73/23/CEE)
- "ELEKTROMAGNETISK KOMPATIBILITET" (89/336/CEE)
- "BULLER" (2000/14/CEE)
- "ELEKTRISKA ELLER ELEKTRONISKA PRODUKTER (WEEE)" (2002/96/EG)

DECLARATION OF CONFORMITY WITH EUROPEAN DIRECTIVES

HUSQVARNA CONSTRUCTION PRODUCTS, 433 81 Gothenburg, Sweden, herewith declares that the machine **TS100R** conforms to the DIRECTIVES :

- "MACHINES" modified (89/392/CEE)
- "LOW VOLTAGE" modified (73/23/CEE)
- "EMC" (89/336/CEE)
- "NOISE" (2000/14/CEE)
- "WASTE ELECTRICAL AND ELECTRONIC EQUIPEMENT (WEEE)" (2002/96/EC)

DECLARACIÓN DE CONFORMIDAD CON LAS DIRECTIVAS EUROPEAS

HUSQVARNA CONSTRUCTION PRODUCTS, 433 81 Gothenburg, Sweden, declara que la máquina **TS100R** es conforme a las disposiciones de las DIRECTIVAS :

- "MÁQUINAS" modifiées (89/392/CEE)
- "BAJA TENSION" modifiées (73/23/CEE)
- "CEM" (89/336/CEE)
- "RUIDOS" (2000/14/CEE)
- "RESIDUOS DE APARATOS ELECTRICOS Y ELECTRONICOS" (2002/96/CE)

VERKLARING VAN CONFORMITEIT MET DE EUROPESE RICHTLIJNEN:

HUSQVARNA CONSTRUCTION PRODUCTS, 433 81 Gothenburg, Sweden, verklaart dat de machine **TS100R** voldoet aan de eisen van de volgende RICHTLIJNEN:

- "MACHINES", gewijzigd (89/392/EEC)
- "LAAGSPANNING", gewijzigd (73/23/EEC)
- "CEM" (89/336/EEC)
- "GELUID" (2000/14/EEC)
- "AFGEDANKTE ELEKTRISCHE EN ELEKTRONISCHE APPARATUUR (AEEA)" (2002/96/EG)

DECLARAÇÃO DE CONFORMIDADE COM AS DIRECTIVAS EUROPEIAS:


HUSQVARNA CONSTRUCTION PRODUCTS, 433 81 Gothenburg, Sweden, declara que a máquina **TS100R** está em conformidade com as disposições das DIRECTIVAS:

- "MÁQUINAS" modificadas (89/392/CEE)
- "BAIXA TENSÃO" modificadas (73/23/CEE)
- "CEM" (89/336/CEE)
- "RUIDOS" (2000/14/CEE)
- "RESIDUOS DE EQUIPAMENTOS ELECTRICOS E ELECTRONICOS (REEE)" (2002/96/CE)




**Christer Carlberg, Operations Manager
Husqvarna Construction Products**


FR - Informations Concernant L'environnement

Le symbole  sur le produit ou sur son emballage indique que ce produit ne doit pas être traité comme déchet ménager. Il doit obligatoirement être déposé au point de collecte prévu pour le recyclage du matériel électrique et électronique. En vous conformant à une procédure d'enlèvement correcte du produit devenu obsolète, vous aiderez à prévenir tout effet nuisible à l'environnement et à la santé, qu'une manipulation inappropriée de celui-ci pourrait autrement provoquer. Pour de plus amples informations sur le recyclage de ce produit, veuillez contacter votre mairie ou collectivité locale, la déchetterie de votre localité ou le magasin où vous avez acheté le produit.


DE - Umweltinformation

Das Symbol  auf dem Produkt bzw. auf der Produktverpackung gibt an, dass dieses Produkt nicht als Hausmüll behandelt werden darf. Zur Entsorgung ist es an einen entsprechenden Recycling-Punkt für elektrische und elektronische Geräte zu bringen. Durch die umweltgerechte Entsorgung dieses Produkts tragen Sie dazu bei, potentielle Folgeschäden an der Umwelt und Gesundheitsschäden zu verhindern. Ausführlichere Informationen über das Recycling dieses Produkts erhalten Sie auf Wunsch von Ihrem Stadt- oder Gemeinderat, den für die Hausmüllentsorgung zuständigen Behörden oder dem Geschäft, in dem Sie dieses Produkt gekauft haben.


ES - Información Ecológica

El símbolo  en el producto o en su envase indica que no se puede tratar este producto como desperdicio doméstico. Deberá por lo tanto depositarse en el punto de recogida aplicable para el reciclado de equipos eléctricos y electrónicos. Asegúrese de eliminar este producto correctamente, ayudará así a evitar consecuencias potenciales negativas para el medio ambiente y la salud humana, que podrían de lo contrario ocurrir con el manejo inapropiado de los residuos de este producto. Para obtener información más detallada sobre el reciclado de este producto, contacte con la oficina municipal local, con el servicio de eliminación de desperdicios domésticos o con la tienda donde compró el producto.


SE - Miljöinformation

Symbolen  på produkten eller dess förpackning indikerar att denna produkt ej kan hanteras som hushållsavfall. Den skall i stället överlämnas till passande återvinningsstation för återvinning av elektrisk och elektronisk utrustning. Genom att se till att denna produkt omhändertas ordentligt kan du hjälpa till att motverka potentiella negativa konsekvenser på miljö och människor, vilka annars kan orsakas genom oriktig avfallshandling av denna produkt. För mer detaljerad information om återvinning av denna produkt, kontakta din kommun, din hushållsavfallsservice eller affären där du köpte produkten.

GB - Environmental Information

The symbol  on the product or on its packaging indicates that this product may not be treated as household waste. Instead it shall be handed over to the applicable collection point for the recycling of electrical and electronic equipment. By ensuring this product is disposed of correctly, you will help prevent potential negative consequences for the environment and human health, which could otherwise be caused by inappropriate waste handling of this product. For more detailed information about recycling of this product, please contact your local council office, your household waste disposal service or the shop where you purchased the product.


IT - Informazioni di Carattere Ambientale

Il simbolo  che appare sul prodotto o sulla confezione indica che il prodotto non può essere smaltito come rifiuti domestici. Invece deve essere consegnato all'inerente punto di raccolta per il riciclo di apparecchi elettrici o elettronici. Assicurandosi che questo prodotto venga smaltito correttamente, si aiuta a prevenire potenziali conseguenze negative per l'ambiente e per la sanità delle persone, che potrebbero altrimenti essere causate con l'incorretto smaltimento di questo prodotto. Per ulteriori informazioni dettagliate sullo smaltimento, si prega di contattare il locale comune, il servizio dello smaltimento dei rifiuti oppure il negozio dove il prodotto è stato acquistato.

NL - Informatie met betrekking tot het milieu

Het symbool  op het product of de verpakking betekent dat dit product niet mag worden behandeld als gewoon huishoudelijk afval, maar in plaats daarvan moet worden ingeleverd bij het punt voor recycling van elektrische en elektronische apparatuur. Door dit product correct te verwijderen helpt u om de negatieve gevolgen die een verkeerde verwerking van dit product kan hebben voor het milieu en de gezondheid te voorkomen. Voor verdere informatie over recycling van dit product kunt u contact opnemen met uw gemeente, de relevante dienst voor de verwerking van huishoudelijk afval of de winkel waar u het product hebt gekocht.

P - Informação Ambiental

O símbolo  existente no produto ou na respectiva embalagem indica que o produto não pode ser tratado como lixo doméstico. Por conseguinte, deverá ser depositado no ponto de recolha aplicável para efeitos de reciclagem de equipamento eléctrico e electrónico. Ao assegurar-se de que a deposição deste produto é efectuada da forma correcta, estará a contribuir para evitar consequências potencialmente negativas para o ambiente e a saúde humana, que, de outro modo, poderiam ser causadas pelo manuseamento inadequado deste produto. Para mais informações sobre a reciclagem deste produto, contacte o gabinete municipal da sua localidade, o serviço de recolha de lixos domésticos ou a loja onde adquiriu o produto.

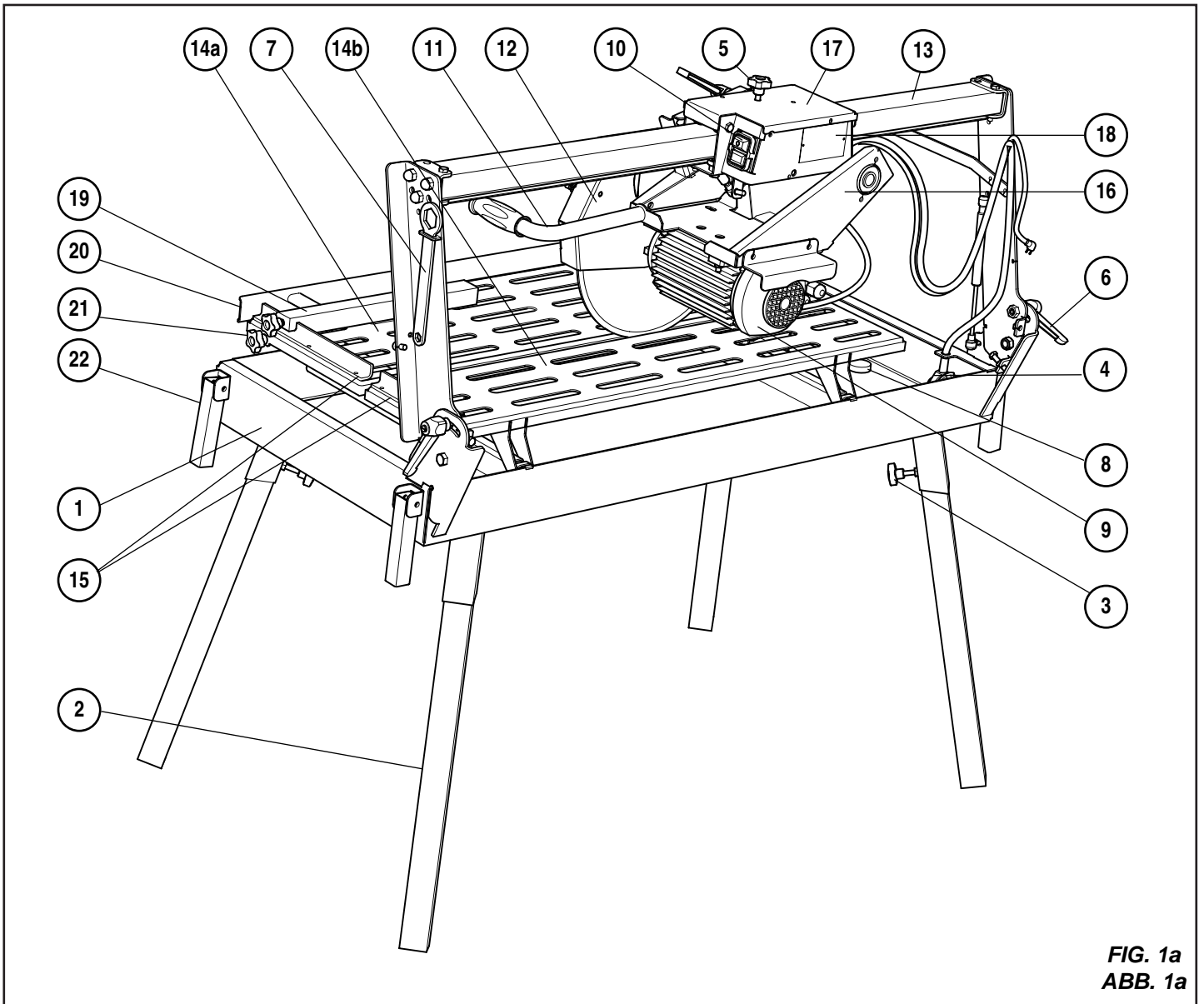


FIG. 1a
ABB. 1a

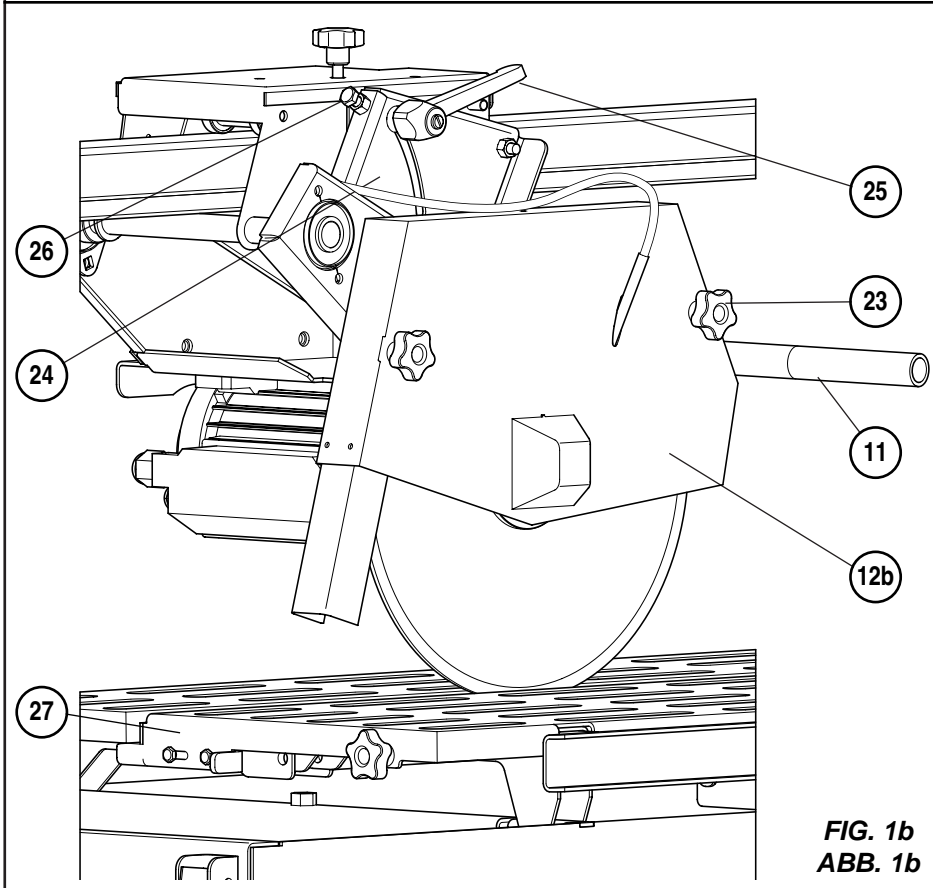


FIG. 1b
ABB. 1b

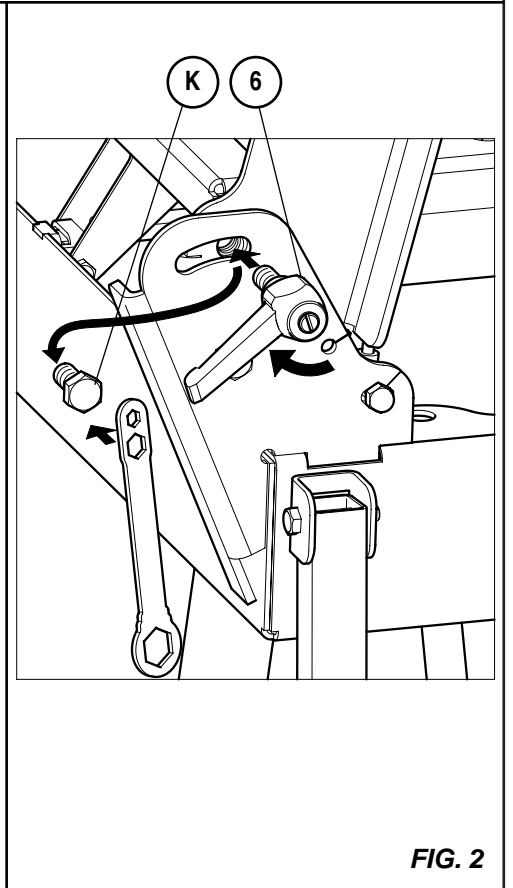


FIG. 2

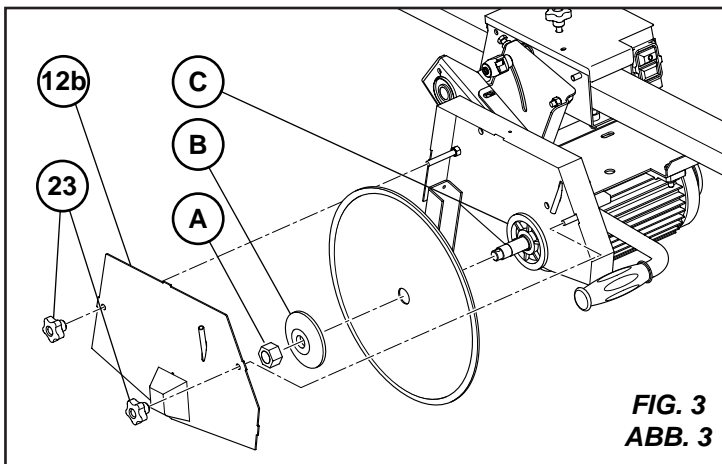


FIG. 3
ABB. 3

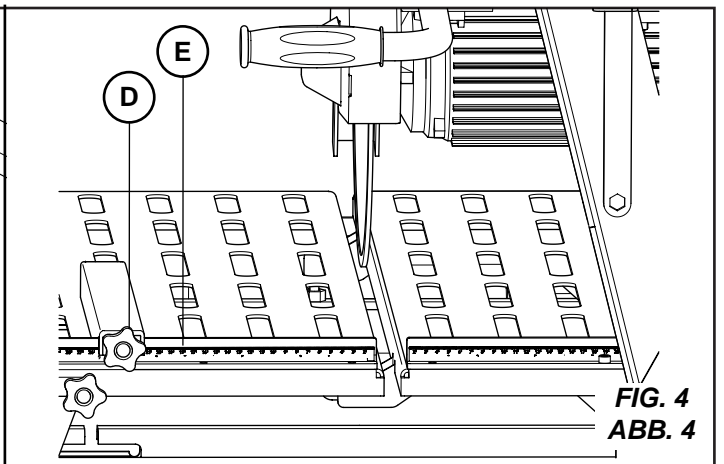


FIG. 4
ABB. 4

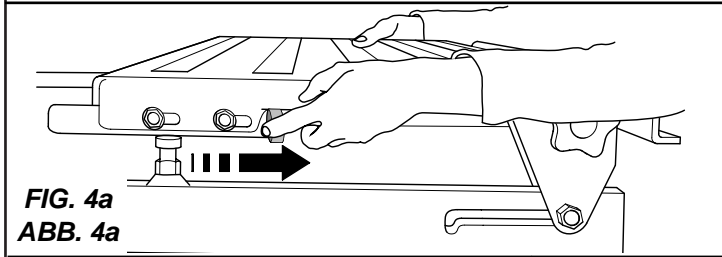


FIG. 4a
ABB. 4a

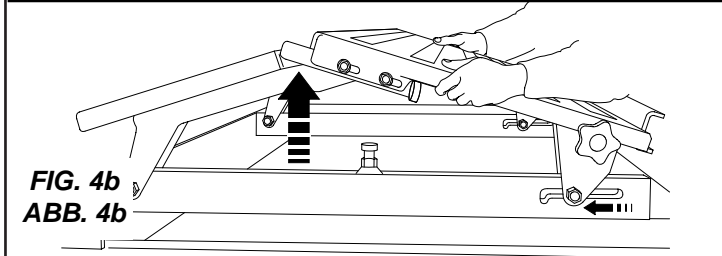


FIG. 4b
ABB. 4b

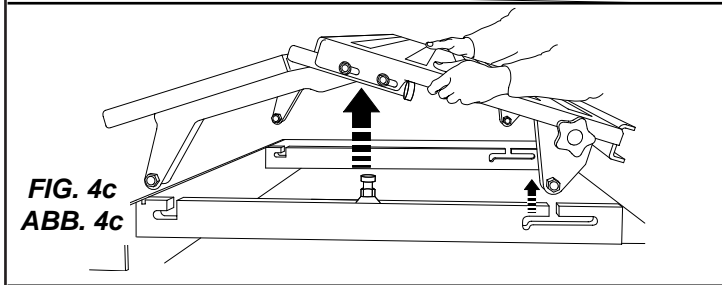


FIG. 4c
ABB. 4c

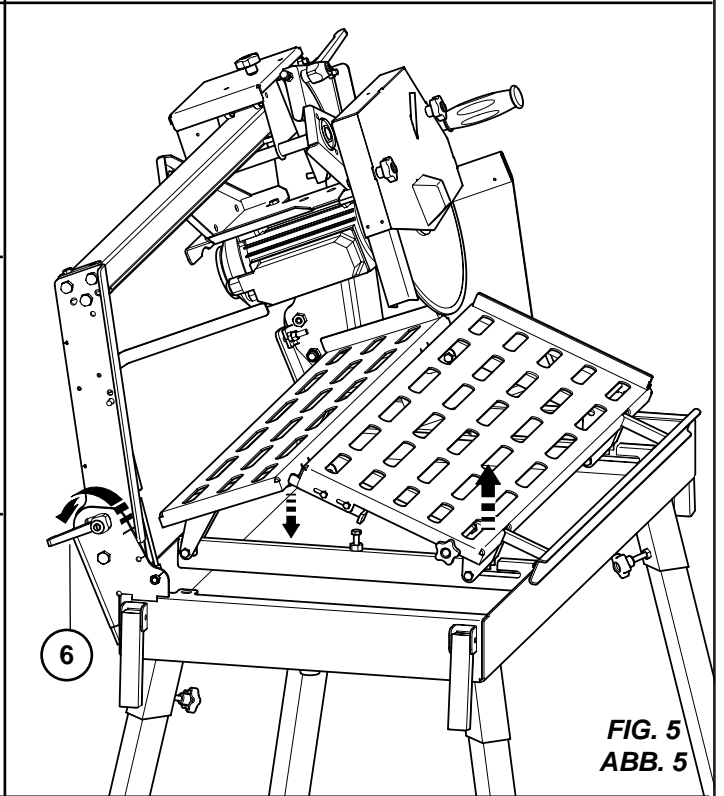


FIG. 5
ABB. 5

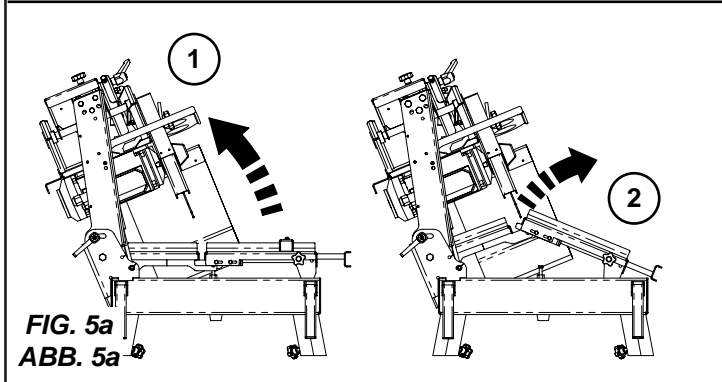


FIG. 5a
ABB. 5a

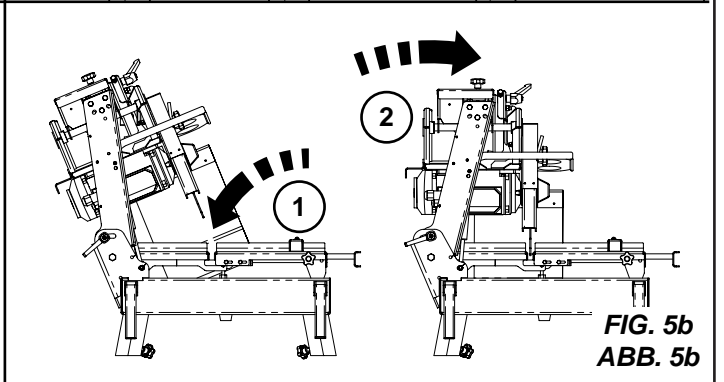


FIG. 5b
ABB. 5b

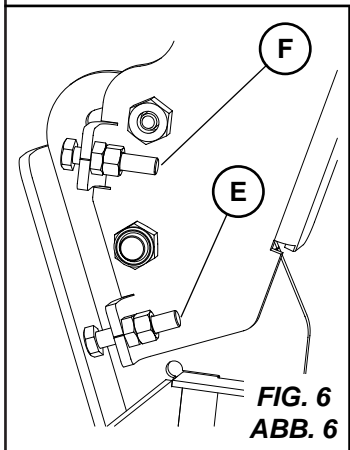


FIG. 6
ABB. 6

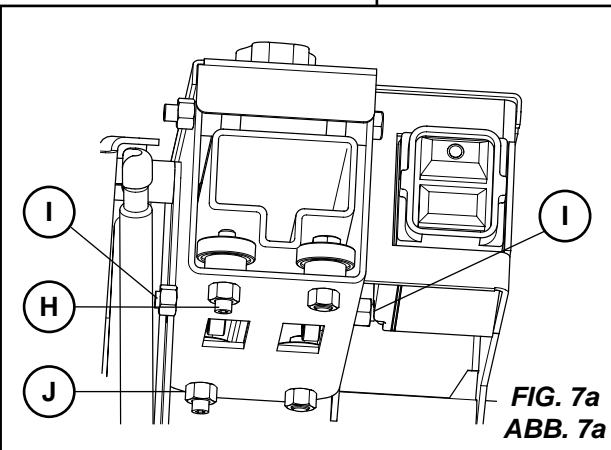


FIG. 7a
ABB. 7a

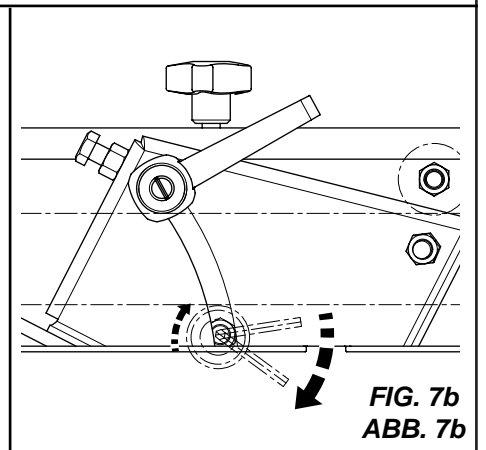


FIG. 7b
ABB. 7b

PREFACE TO THE MANUAL

Before leaving our factory every machine passes an exacting inspection programme in which everything is checked minutely.

Following the instructions will ensure that your machine gives long service, in normal operating conditions.

The user advice and spare parts mentioned in this document are given as an indication, and do not constitute an undertaking. No warrantee will be granted in the event of errors or omissions, or for damage occurring during delivery, or caused by the design or use of the machine. We are very concerned about the quality of our products and we reserve the right to make any technical modifications to improve them, without warning.

This document will:

- provide the user with: information about the machine
- information about its possible uses
- prevent accidents due to unsuitable use, by an untrained person, during maintenance, repairs, overhauls, handling or transport
- improve the reliability and durability of the machine
- ensure correct use, regular maintenance, and fast fault finding in order to reduce repair costs and downtime.

**The manual should always be available at the place of work.
It should be read and used by any person installing or using the machine.
The obligatory technical regulations in force in the country where the machine is used must also be adhered to for maximum safety.**

English

GENERAL SAFETY INSTRUCTIONS

The use of symbols on machines (in color) and in the manual identify advice concerning your safety.



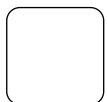
OBLIGATION ➡ Blue background, white marking : *obligatory safety*
+ red marking : *movement forbidden*



WARNING ➡ Black triangle and marking on a yellow background : *danger if not adhered to.*
Risk of injury to the user or third parties, with possibility of damage top the machine or the tool.



PROHIBITION ➡ Red circle with or without bar : *use or presence prohibited.*



INFORMATION ➡ Information - Instruction: *special instructions concerning use and inspection.*

The manufacturer declines any responsibility resulting from improper use, or modifications.



This symbol indicates that the machine is in conformance with the applicable European directive.

SPECIAL INSTRUCTIONS

The disc cutter is designed to provide safe and reliable service in operating conditions corresponding with the instructions, but it can present dangers for the user and risks of damage, consequently regular on site inspection is necessary to ensure :

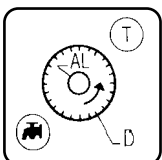
- Perfect technical condition (use for the purpose for which it is intended and taking into account any risks, and correction of any malfunction detrimental to safety).
- Use of a diamond disc for water lubricated cutting of marble, stone, granite, brick and facings (porcelain, glazed tiles, ceramics, etc). The use of any other disc is forbidden (abrasive, saw, etc).
- Competent personnel (qualifications, age, training, education) who have studied the manual in detail before starting work: any fault of an electrical or other nature must be checked by a competent person (electrician, maintenance foreman, authorized dealer, etc).
- That the warnings and instructions marked on the machine are followed (adequate personal protection, correct use, general safety instructions, etc).
- That no modification, transformation or addition is detrimental to safety and that it is carried out without prior authorization from the manufacturer.
- Respect of the maintenance intervals and periodical checks recommended.
- That only genuine spare parts are used for repairs.

Instruction plate

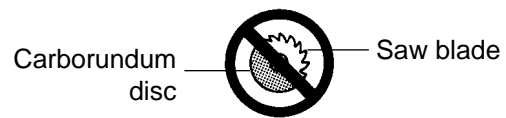
MANUFACTURER		CE	
TYPE	TYPE <input type="text"/>	N° SERIE	<input type="text"/>
	<input type="text"/>	ANNEE DE FABRICATION	<input type="text"/>
WEIGHT	MASSE UTILE <input type="text"/> Kg	PUISSANCE	<input type="text"/> kW
MAXI TOOL	Ø MAXI OUTIL <input type="text"/> mm	PLAGE DE TENSION	<input type="text"/> V
BORE	Ø ALESAGE <input type="text"/> mm	FREQUENCE	<input type="text"/> Hz
SPEED	T/MN - RPM <input type="text"/>	INT. UTIL.	<input type="text"/> A
		SERIAL FABRICATION YEAR	<input type="text"/>
		POWER	<input type="text"/>
		VOLTAGE	<input type="text"/>
		FREQUENCY	<input type="text"/>
		INTENSITY	<input type="text"/>

1 Use

- **Use** : Sawing marble, stone, granite, brick, cement and all facings (porcelain, glazed tiles, ceramics, etc).



- **Tools** : Water lubricated diamond disc diameter 300 mm - diameter 350 mm (D)- bore 25.4 mm (AL). (Information from your usual supplier).

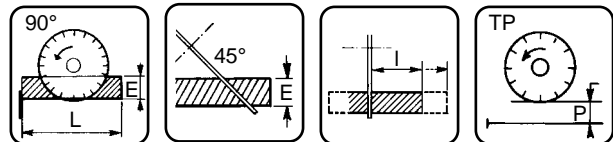


Do not use the saw for any purpose for which it is not designed (using a saw blade or abrasive disk which do not conform to the instructions for use).

2 Technical specifications

	POWER	VOLTAGE ± 5 %	CURRENT	PUMP
Standard	2.2 kW (3 HP)	230 V 50 Hz	14 A	10 W 230 V
	2.9 kW (4 HP)	400 V 50 Hz	5 A	10 W 230 V
Option	1.8 kW (2.5 HP)	230 V 50 Hz	12.5 A	10 W 230 V
	1.5 kW (2 HP)	115 V 50 Hz	20 A	30 W 115 V

- Motor speed : 2800 rpm
- Disc speed : 2800 rpm
- Electrical protection : IP 54



- Depth of cut (E) :
 - at 90° : 100 mm - at 45° : 80 mm
- Length of cut (L) :
 - 900/1200 mm - thickness 100 mm
 - 1000/1300 mm - thickness 120 mm
- Useful width (w) : unlimited
(Width of support with extension = 600mm)
- Space below disk (S): 120 mm (LH)
- Dimensions (mm) L x W x H (depending on model) :
 - with legs : 1420/1720 x 840 x 1400 (100R/130R)
 - bench : 1420/1720 x 625 x 790 (100R/130R)
- Unladen weight (depending on model) : 106/126 kg (100R/130R)
 - legs : 7 kg
- Disc cooling by water spray into the disc casing.
- Minimum tank capacity :
 - 55 l/65 l - Lg : 1,30 m
- Water pump :
 - 13 W - flow: 8 to 10 l/min
- Electricity supply :
 - 230 V : H07-RNF 3 x 1.5² - L 3 m
 - 400 V : H07-RNF 5 x 1.5² - L 3 m
 - 115 V : H07-RNF 3 x 2.5² - L 3 m

MODEL	POWER LEVEL	PRESSURE LEVEL	VIBRATION LEVEL
Depending on model	Lwa (dB) EN ISO 3744	Lpa (dB) EN ISO 4871	G ENV 25349
2.2 / 1,5 KW	80 / 84	79 / 80	0.27 / 0.13

3 Inspection and description of the machine

- On receiving the machine check its condition. To unscrew the screws K using key 7, and to mount the handles (see fig 7)
- Always keep it perfectly clean
- Check the supply cable and the extension lead periodically
- Always keep alert when working
- Check that the parts are properly fixed (no abnormal vibration) and that it is correctly assembled.

SEE FIG. 1a-1b

- ① Chassis-tank
- ② Leg
- ③ Leg locking knob
- ④ Water pump
- ⑤ Head locking knob
- ⑥ 90° to 45° locking knob
- ⑦ 30 mm spanner
- ⑧ Drain plug
- ⑨ Motor
- ⑩ Lack of voltage switch
- ⑪ Operating handle
- ⑫ Disc casing
- ⑫b Removable guard
- ⑬ Rail
- ⑭a Large table
- ⑭b Small table
- ⑮ Plate stops
- ⑯ Cutting head
- ⑰ Carriage
- ⑱ Manufacturer's plate
- ⑲ 90° cutting guide
- ⑳ Plate side extension
- ㉑ Wheel for tightening the extension
- ㉒ Transport handles
- ㉓ Wheel for fixing the disc guard
- ㉔ Height adjustment plate
- ㉕ Height adjustment tightening knob
- ㉖ Cutting depth adjustment screw
- ㉗ Table tilting safety latch

4 Handling - Transport [FIG. 1a]

- Lock the moving head on the front part of the rail using the knob (5).
- Hold the machine by the handles (22)
- Fitting the legs :
 - Loosen the four flywheels (3).
 - Bring two of the feet to the front (check the angle of the feet connectors).
 - Lift the front and lower the feet into the supports.
 - Proceed in the same way for the back.
 - Immobilize the flywheels (3).



For these different operations always disconnect the machine

5 Check before starting



Please read the instructions for use prior to operating the machine for the first time.



Motor off.



The working area must be completely cleared, well lit and all safety hazards removed (no water or dangerous objects in the vicinity)



The operator must wear protective clothing appropriate to the work he is doing. We recommend that this includes both eye and ear protection



The use of ear protection is mandatory.



Any persons not involved in the work should leave the working area



Use only blades marked with a maximum operating speed greater than blade shaft speed

6 Fitting the disc [FIG.3]



Disconnect the machine by unplugging the supply cable.

- Release the two knobs **(23)**, remove them and then remove the guard.**(12b)**
- Unscrew the disk clamping nut **(A)** using a 30 mm spanner.(7)



The disc locking nut has a left-hand thread.

- Remove the clamping plate **(B)** and fit the disk.



Take care about the direction of rotation which is shown by an arrow on one of the faces.

Make sure the contact faces of flanges, of blade and the axle are clean.

- Check the disk position on the centring plate **(C)**.
- Refit the clamping plate **(B)** and tighten the nut **(A)**.
- Replace the guard, tighten the knobs **(23)**.

7

Electrical connection



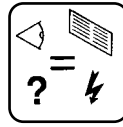
- ELECTRICAL SAFETY :

Operate this machine only on a supply equipped with a 30 mA earthed current-limiting circuit-breaker. Otherwise, consult our catalogue for appropriate models.

- **The RCCB must be used correctly, including testing it regularly. For tools supplied with an integral RCCB in the cable or in the mains plug, if the cable or plug has been damaged, repairs must be carried out by the manufacturer, one of his agents or by a qualified repair workshop to avoid any risks resulting from errors.**

• Engines :

- **Standard** : with on-off switch with no-volt release switch
 - 1-phase, 230 V, 2-3 hp
3 x 1.5 mm² with plug (cable 2 P + E)
 - 3-phase, 400 V, 3-4 hp
4 or 5 x 1.5 mm² without plug (cable 3P+E)
- **Optional** : with cut-out switch with or without ammeter
 - 1-phase, 110 V, 2 hp
3 x 2.5 mm² without plug



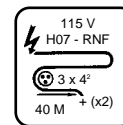
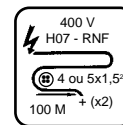
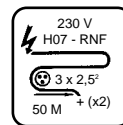
- Make sure that the mains voltage corresponds with that marked on the manufacturer's plate on the machine.

- Three-phase motor :

Make sure that the motor rotates in the same direction as the arrow stamped on the casing: if the motor does not turn in the direction required, swap two of the supply wires.



- Use the following types of plug, single phase 2 P + E, or 3 P + E / 3 P + N + E according to the corresponding voltage.



- Extension lead : Cable size sufficient for the electrical power, connection to the mains by a H07 RNF type cable of the following size :
 - 3 x 2.5 mm² up to 50 m for 230 V
 - 4 or 5 x 1.5 mm² up to 100 m for 400 V
 - 3 x 4 mm² up to 40 m for 115 V

8

Starting up



Always take care.

Get into a comfortable, balanced position.



Remove all adjustment tools and wrenches from floor and machine

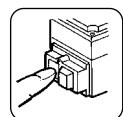


Always keep blade guard in place

• For wet cutting:

- Fill the tray with clean water (maximum level = base of the plate).
- Immerse pump in tank.

Ensure that the water supply is abundant, when cutting wet.



- To start the machine press the green button on the switch (optional cut-out switch).



- To stop the machine, press the red button.



As each saw is fitted with a self-priming pump, the disk is sprayed as soon as the saw is turned on.

The protective guard ensures perfect spray distribution

1-phase motor protected by a built-in thermal circuit breaker.

9

Cutting method

• Square cuts :

Adjusting the cutting height (SEE FIG. 1b)

- Untighten the indexable knob 25 (if this is blocked by the disc guard, pull it towards you and turn it)
- Adjust the height of the motor via knob 11.
- Retighten the indexable knob firmly.

Adjusting the height of the movement stop.

- Because of wear on the disc or if the mechanism has been disturbed, the cutting height may be too shallow.
- The height can be adjusted by turning screw 26 and its lock nut.



Move the head all along the rail (with the motor off) to check that the disc does not come into contact with the cross-pieces on the tables.

Adjusting the cutting guide (SEE FIG. 4)

- Adjust the cutting width via toothed wheel D; the width is shown by the setting rules E.

Adjusting the extension for wide materials.

- Untighten the toothed wheels 21 (SEE FIG. 1a)
- Pull the extension 20 to adjust it to the material.
- Retighten the toothed wheels.

Cuts.

- Remove the disk support head towards the rear.
- Position the material on the table.
- Pull the head towards yourself whilst gradually forward it without forcing the blade (avoid sudden contact with the material).

• Bevelled cuts.

Adjusting the extension (SEE FIG. 1a).

- For wide materials, untighten the toothed wheels 21 and remove the extension 20 completely
- Turn it to move the stop to the upper position
- Re-engage the extension and retighten the toothed wheels to suit the desired width, taking care to position the extension perpendicular to the stop 15.

Tilting

- Loosen the two adjusting flywheels (6) (SEE FIG. 1a).
- Tip over the cutting head and rail assembly.
- Relock the flywheels.
- Hold the large table 14a on both sides (SEE FIGS. 4a & 4b).
- Pull the safety latch 27.
- Lift the table from the middle by pushing the assembly to the blocking point at 22.5°.



Always tilt the cutting head before tilting the tables to avoid the tables colliding with the disc (SEE FIG. 5b).

Re-levelling:

- Lift the large table from the front (SEE FIG. 5).
- Pull the table assembly until it is level.
- Loosen the knobs 6.
- Return the cutting head to the straight cutting position.



Take care not to place your hand between the two tables to avoid catching your fingers.

Always re-level the tables before moving the cutting head to avoid the tables colliding with the disc (SEE FIG. 5c).

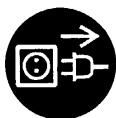
Push the rail firmly into the horizontal position before locking the knobs: the return cylinder can put this out of position.

10

Adjustments (SEE FIG. 6).

- No adjustment is necessary. This is carried out in our workshops.
- However, in the event of knocks, loosening of bolts, rough handling when pivoting the head:
 - adjust screw (E),
 - check the squaring (for straight line cuts),
 - and lock the lock-nut (adjustment on front and rear arms).
- To correct the adjustment to 45°, adjust screw (F) and counter-lock nut.

Maintenance (the motor must be stopped)



Before carrying out any operation disconnect the machine from the mains

- Clean the machine daily.
- The tables can be removed for ease of cleaning (SEE FIG. 4c).
 - Tilt the motor to the bevelling position.
 - Grip the large table 14a on both sides.
 - Pull the safety latch 27.
 - Lift the tables by pushing the assembly halfway along their travel and lifting the large table to remove it from the blocking point before the port. Pull the assembly and remove the small table's rear support 14b. Remove the tables.
 - To re-insert the tables, position the small table's rear support in its port and fold the assembly until the large table's front support can be lowered when its port is open.



Fully free the motor (in bevel position) to remove and replace the tables. Do not put your hands between the two tables.

- Empty regularly the tank to remove muddy deposits which could clog the pump and thus cause premature wear.
- Wash the tray with plenty of water.
- Clean the pump.
- Store in a dry place
- Clean the rails with particular attention: we advocate the use of a slide polish, type Loctite VG 26.



**Store in a dry place, not accessible to children.
Maintain the tools carefully.**

FAULT FINDING

In the event of faulty operation refer to the tables below to find a solution.

• The machine does not work

CAUSES	REMEDIES
<i>Not plugged in properly or cable damaged</i>	- Make sure that the supply is correctly plugged in (plug, extension lead, etc) - Check the supply cable
<i>No mains voltage</i>	- Test or have tested by an electrician (circuit breaker, plug, etc)
<i>Switch defective, motor cable damaged</i>	- Have tested by an electrician or contact the service department
<i>Motor faulty (no power, unpleasant smell)</i>	- Contact the service department to have the motor replaced

• Difficult starting

CAUSES	REMEDIES
<i>Single phase motor starting condenser</i>	- Replace the condenser
<i>Three-phase supply not correct (on 2 phases, motor cable faulty)</i>	- Have it checked by an electrician or contact the service department

• The pump does not start

CAUSES	REMEDIES
<i>The mains lead is not correctly connected or is damaged</i>	- Check the mains lead
<i>No voltage in pump circuit or mains supply circuit</i>	- Check the pump circuit and mains supply circuit

• The pump does not pump water

CAUSES	REMEDIES
<i>An air bubble may have formed inside the pump body</i>	- Holding the pump of the outlet pipe remove it from the water and reimmerse it
<i>The turbine is jammed</i>	- Unscrew the filter and, using a small screwdriver, remove all dirt from the operating area of the turbine.

12 Adjusting the traverse

- **Adjusting the way the carriage slides on the rail (SEE FIGS. 7a & 7b).**

- This operation requires a No. 4 Allen key and a flat No. 13 spanner.
- Adjustment is made in the horizontal plane by tightening eccentric screws H and in the vertical plane by tightening eccentric screws I
- To adjust the eccentric screws: place the Allen key in the screw's hexagonal hole and use the flat spanner to loosen the tightening nut J slightly. Tighten the eccentric screw with the Allen key until the bearing is adjusted correctly. Retighten the nut and check that the carriage slides correctly.



Retighten the two eccentric screws in the same plane at the same time.

To set the vertical plane, pass the Allen key on the one hand through the height-adjustment plate (24) and on the other through the hole behind the switch.

13 Important advice

- Tighten all the nuts and bolts regularly.
- When storing the machine, we recommend removing the blade and storing it carefully.
- Check that there is sufficient water supply during operation.
- Tighten the blade firmly.
- Make sure the contact faces of the flanges, blade and axle are clean.



The manufacturer declines all responsibility for loss or damage resulting from misuse or any modification, alteration or powering that does not conform to the manufacturer's original specifications.



The noise level of this machine is measured according to the S 31.069 standard.

At the work station, the sound pressure level may exceed 85 db (A) In this case individual protection measures must be taken.

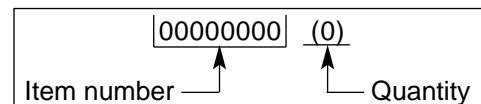
14 Repairs

S
A
V

Contact your supplier who is entirely at your service to carry out repairs in the shortest time at the best possible price.

15 Spare parts

For rapid delivery of spares and in order to avoid any wasted time, it is necessary to remind your supplier of the details shown on the instruction plate on the machine with each order, as well as the reference of the part to be replaced.



See exploded view

16 Scrapping



In the event of deterioration and scrapping of the machine, the following items must be disposed of in accordance with the requirements of the legislation in force.

- **Main materials :**

- *Motor* : Aluminium (AL), Steel (AC), Copper (CU), Polyamide (PA)
- *Machine* : Steel sheet (AC), Cast iron (FT)

The instructions for use and spare parts found in this document are for information only and are not binding. As part of our product quality improvement policy, we reserve the right to make any and all technical modifications without prior notice.



www.husqvarnacp.com

543 06 62-81

2007-07-16