



DS 50 Gyro

Reservdelar

Spare parts

Ersatzteile

Pieces de rechange

Piezas de repuesto

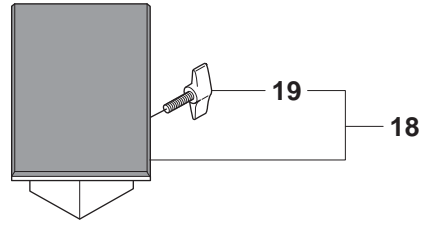
Ricambi

Peças sobresselente

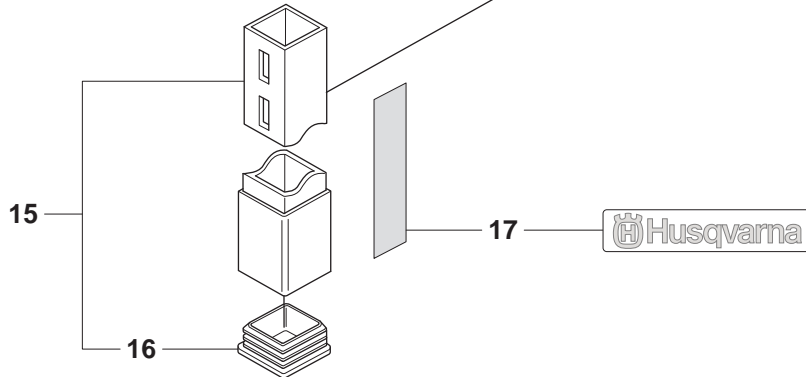
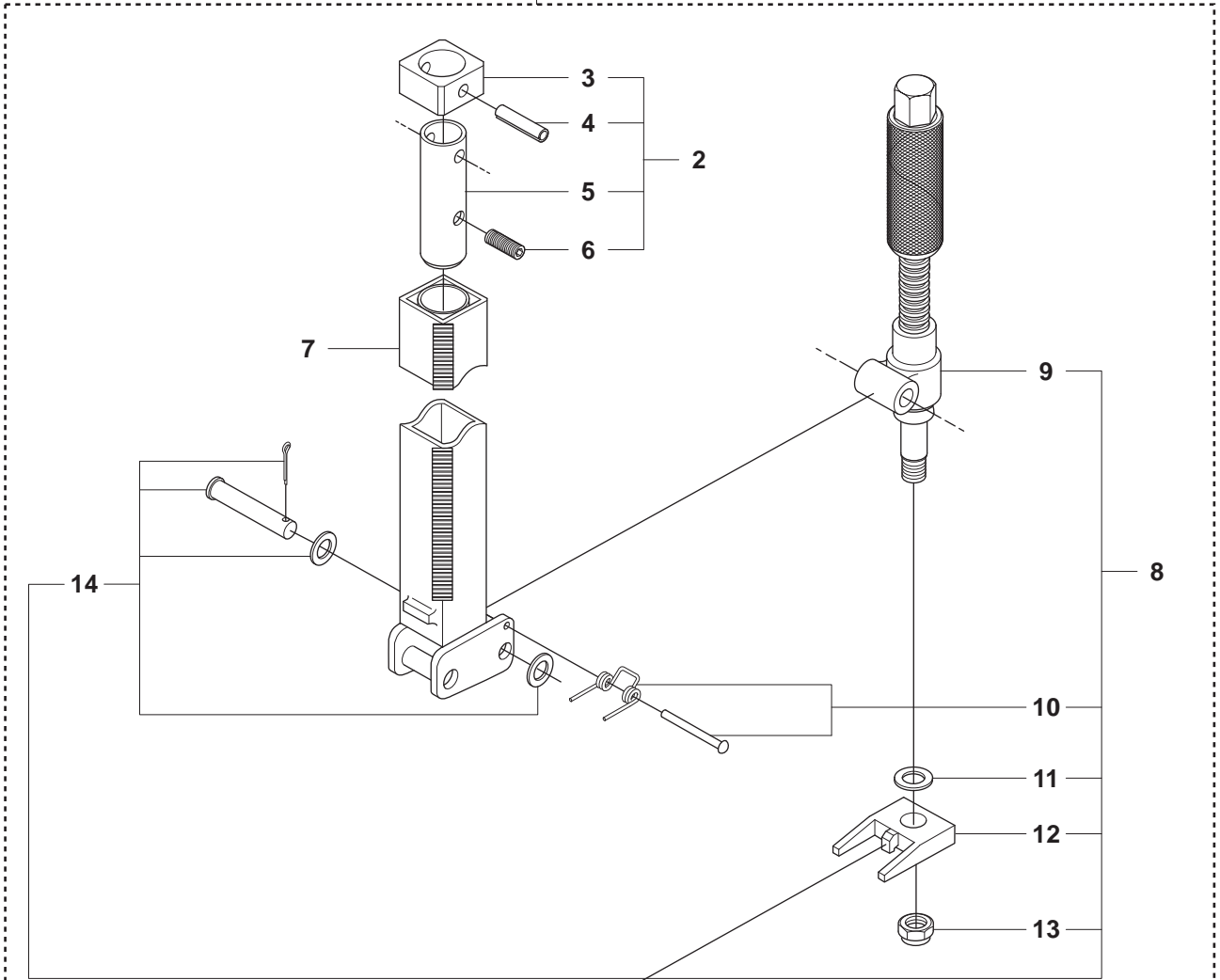
No.	Pos.	Description	No.	Pos.	Description
501 38 46-03	D	HANDLE CPL	505 41 13-02	H	CURLY BRACKET
501 38 46-04	DKL	HANDLE CPL	505 41 13-03	H	CLAMMER RING
501 38 47-01	D	SPRING	505 41 13-04	H	BRACKET
501 38 47-02	DKL	SPRING	505 41 13-05	H	LOCKING RING
501 38 60-01	D	SCREW	505 41 13-06	H	DECAL
501 38 60-02	DKL	SCREW	505 41 13-07	H	BASE PLATE 50AT/ATS
501 38 86-01	E	SCREW	505 41 14-03	C	DRILL RACK 50
501 38 89-01	H	SCREW	505 51 99-03	E	RETAINER
501 38 90-01	J	NUT	506 40 04-01	A	PIPE OUTER
504 01 81-01	D	HANDLE	506 40 05-01	A	PIPE INNER
504 02 06-01	B	SHAFT HOLDER	506 40 05-03	L	EXT. POLE INNER ASSY
504 02 09-01	K	FORK	506 40 06-05	C	ADJUSTMENT SCREW CPL
504 02 10-01	F2,K	DECAL	506 40 06-07	C	ADJUSTMENT SCREW
504 02 10-02	AH	DECAL	506 40 08-07	G	MOTOR MOUNT 50/70 ASSY
504 02 10-03	B	DECAL	506 40 14-01	A	BOLT KIT
504 02 11-01	D	WASHER	506 40 14-02	A	BOLT KIT
504 02 12-01	D	SLEEVE	506 40 15-01	E	SCREW KIT
504 03 04-01	B	BASE PLATE 50T	506 40 16-01	E	HANDLE CPL
504 60 06-01	F1	GEAR WHEEL	506 40 17-01	D	SHAFT CPL
504 60 06-02	F1	SHAFT	506 40 18-03	D	RETAINING RING
504 69 63-01	G	SCREW	506 40 19-01	D	BUSHING KIT
504 71 18-02	F1	SLEEVE	506 40 76-08	B	SHAFT HOLDER WITH WHEEL
504 71 19-01	F1	WASHER	506 40 76-10	K	STABILIZER ASSY
504 71 92-01	G	MOTOR MOUNT 50/70	506 40 76-12	K	STABILIZER
504 90 06-01	H	SCREW	506 40 77-13	D	ADJUSTABLE LEVER CPL
504 90 36-01	F1	SCREW	506 40 77-14	D	ADJUSTABLE LEVER CPL
504 90 49-01	F1	SHAFT	506 40 77-15	K	ADJUSTABLE LEVER CPL
504 90 83-04	F1	SPRING	506 40 77-16	L	ADJUSTABLE LEVER CPL
504 90 83-05	F1	BALL	506 40 77-17	D	HANDLE CPL.
504 90 83-07	F1	LID	506 40 78-01	D	SPRING GRIP CPL
504 90 83-08	F1	BUSHING	506 40 79-11	B	BASE PLATE 50T NO WHEEL
504 90 83-09	F1	SLEEVE	506 40 80-09	B	BASE PLATE 50T ASSY
504 90 83-10	F1	PIN	506 40 81-05	A	ADJUSTER CPL
504 90 83-12	F1	SCREW	506 40 81-07	A	ADJUSTER
504 90 83-15	F1	WASHER	506 40 82-01	A	SLEEVE CPL
504 90 83-16	F1	WASHER	506 40 83-05	A	EXPANDABLE COLUMN ASSY
504 90 83-17	F1	KNOB	506 40 84-06	A	TOP SUPPORT CPL
504 90 83-18	F1	WASHER	506 40 85-05	L	EXT. POLE OUTER ASSY
504 90 83-19	F1	SCREW	506 40 86-01	M	TOOL KIT
504 90 83-21	F1	MOUNTING PLATE	506 40 88-10	C	DRILL RACK 50 ASSY
504 90 83-22	F1	MOUNTING PLATE	506 40 89-01	D	BUSHING KIT
504 90 83-23	F1	PIN	506 40 91-04	D	GYRO UNIT 50 ASSY
504 90 83-24	F1	SCREW	531 14 06-00	E	NUT
504 90 83-25	F1	LOCK SLEDGE	531 14 06-02	A	WING SCREW
504 90 83-26	F1	PIN	531 14 06-05	A	PIN
504 90 83-33	G	WEDGE	531 14 06-07	AL	SCREW
504 90 83-34	F2	SCREW	531 14 06-13	A	WASHER
504 90 83-35	F1	WASHER	531 14 06-14	A	NUT
504 90 83-36	F1	WEDGE	531 14 06-16	A	FORK
504 90 83-37	F1	BRACKET	531 14 06-18	BH	ADJUSTMENT SCREW
504 90 84-05	C	LOCKING SCREW	531 14 06-19	B	SCREW
504 90 91-02	H	WASHER	531 14 06-20	ABH	PLUG
504 90 91-05	EH	LOCKING KNOB	531 14 06-22	B	NUT
504 90 91-07	H	SCREW	531 14 06-23	BKH	R-CLIP
504 90 91-08	H	PIN	531 14 06-24	BKH	WHEEL
504 90 91-09	H	SCREW	531 14 06-27	BKH	WASHER
504 90 91-12	H	SCREW	531 14 06-29	E	SHAFT
504 90 91-13	H	SCREW	531 14 06-30	E,F2	NUT
504 90 91-14	H	SHAFT HOLDER	531 14 06-32	E	WASHER
505 40 03-01	F1,F2	DRILL CARRIAGE 50 ASSY	531 14 06-34	E	WASHER
505 40 03-03	F1	SLEEVE	531 14 06-36	E	WASHER
505 40 03-04	F1	PLUG	531 14 06-37	E	NUT
505 40 03-05	F1	HOLDER	531 14 06-38	E	WASHER
505 40 03-07	F1	MOUNTING BRACKET	531 14 06-40	E	HANDLE
505 40 03-08	F1	SPRING	531 14 06-44	C	NUT
505 40 03-09	F1	SLEEVE	531 14 06-50	D	SCREW
505 40 03-10	F1	MOUNTING BRACKET ASSY	531 14 06-52	D	BUSHING
505 40 03-11	F2	DRILL CARRIAGE 50	531 14 06-56	D	SPRING
505 40 03-12	F2	HANDLE	531 14 06-57	D	SCREW
505 41 13-01	H	BASE PLATE 50AT/ATS ASSY	531 14 06-58	D,F2	SCREW

No.	Pos.	Description	No.	Pos.	Description
531 14 06-59	DG	SCREW			
531 14 06-60	D	SLEEVE INNER			
531 14 06-61	D	SCREW			
531 14 06-62	D	WASHER			
531 14 06-63	D	RETAINER			
531 14 06-64	L	PLUG			
531 14 06-70	D	SCREW			
531 14 06-72	F1	GRIP			
531 14 06-73	F1	SPRING			
531 14 06-75	K	SLEEVE			
531 14 06-76	K	WASHER			
531 14 06-77	D	BUSHING			
531 14 06-79	K	SCREW			
531 14 06-82	F1	LEVER			
531 14 06-85	F2	SCREW			
531 14 06-86	F2	SCREW			
531 14 07-12	G	WASHER			
531 14 07-43	H	LOCKING SCREW			
531 14 07-22	E	WASHER			
531 14 07-35	K	SCREW			
531 14 07-37	K	SLEEVE			
531 14 07-38	K	PLUG			
531 14 07-39	K	SLEEVE			
531 14 07-43	K	SCREW			
531 14 07-48	L	EXT. POLE OUTER ASSY			
531 14 07-53	A	STOP SLEEVE			
531 14 07-62	M	L ALLEN KEY 8MM			
531 14 07-63	D	RETAINER SPRING GRIP			
531 14 07-66	D	WASHER			
531 14 07-67	D	WASHER			
531 14 07-71	D	SHAFT			
531 14 08-04	D	SCREW			
531 14 08-46	H	NUT			
531 14 08-82	F2	BUSHING			
531 14 08-97	F1	LEVEL ROUND			
531 14 08-98	F1	LEVEL SQUARE			
544 06 97-01	B	LOCKING SCREW			
544 12 85-01	D	DECAL			
544 12 85-02	F2	DECAL CE			
544 22 27-01	M	SPANNER 30MM			
544 22 27-02	M	SPANNER 24MM			
544 22 27-03	D	KEY			
544 23 56-01	L	SCREW CPL			
544 23 56-02	D	SCREW			
544 27 98-01	M	L ALLEN KEY 6MM			

A DS50 GYRO



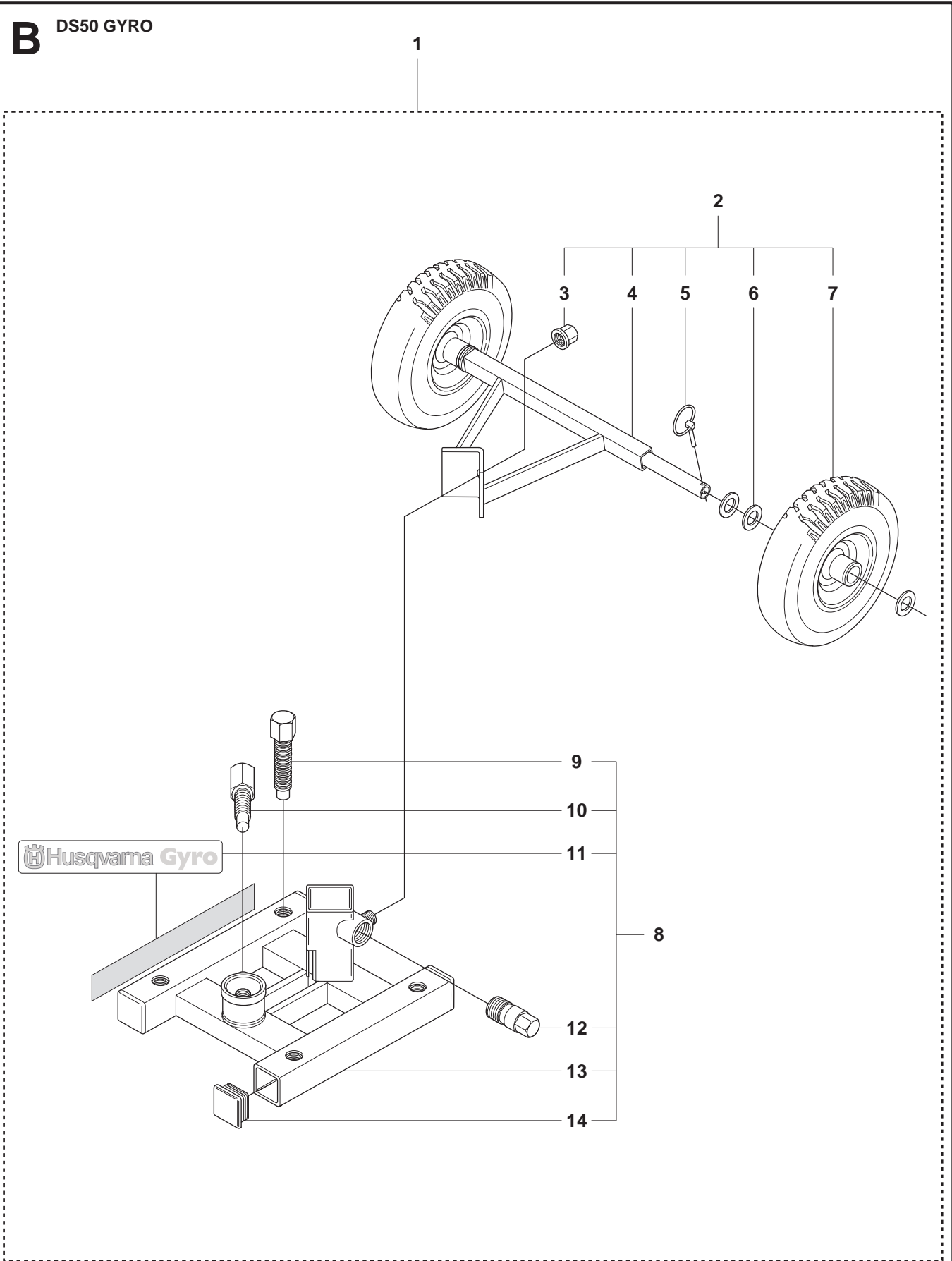
1



Page A
DS50 GYRO

Pos.	Part No.	Description	Quantity	Notes
1	506 40 83-05	EXPANDABLE COLUMN ASSY	1	Incl. 2, 7, 8, 15, 17
2	506 40 82-01	SLEEVE CPL	1	Incl. 3-6
3	531 14 07-53	STOP SLEEVE	1	
4	531 14 06-05	PIN	1	
5	531 14 06-06	STOP PIN	1	
6	531 14 06-07	SCREW	1	
7	506 40 04-01	PIPE OUTER	1	
8	506 40 81-05	ADJUSTER CPL	1	Incl. 9-14
9	506 40 81-07	ADJUSTER	1	
10	506 40 14-02	BOLT KIT	1	
11	531 14 06-13	WASHER	1	
12	531 14 06-16	FORK	1	
13	531 14 06-14	NUT	1	
14	506 40 14-01	BOLT KIT	1	
15	506 40 05-01	PIPE INNER	1	Incl. 16
16	531 14 06-20	PLUG	1	
17	504 02 10-02	DECAL	1	
18	506 40 84-06	TOP SUPPORT CPL	1	Incl. 19
19	531 14 06-02	WING SCREW	1	

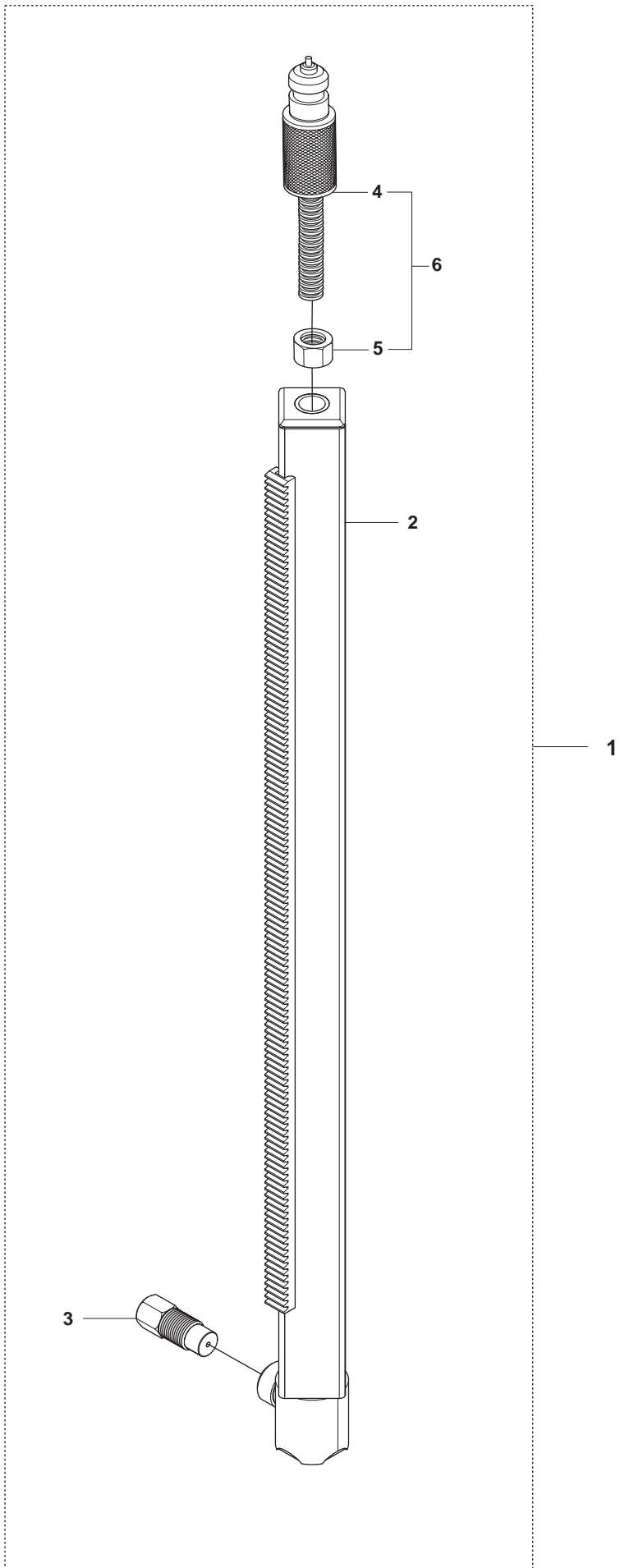
B DS50 GYRO



Page B
DS50 GYRO

Pos.	Part No.	Description	Quantity	Notes
1	506 40 80-09	BASE PLATE 50T ASSY	1	Incl. 2, 9
2	506 40 76-08	SHAFT HOLDER WITH WHEEL	1	Incl. 3-7
3	531 14 06-22	NUT	1	
4	504 02 06-01	SHAFT HOLDER	1	
5	531 14 06-23	R-CLIP	2	
6	531 14 06-27	WASHER	6	
7	531 14 06-24	WHEEL	2	
8	506 40 79-11	BASE PLATE 50T NO WHEEL	1	Incl. 9-14
9	531 14 06-18	ADJUSTMENT SCREW	4	
10	531 14 06-19	SCREW	1	
11	504 02 10-03	DECAL	1	
12	544 06 97-01	LOCKING SCREW	1	
13	504 03 04-01	BASE PLATE 50T	1	
14	531 14 06-20	PLUG	4	

C DS50 GYRO

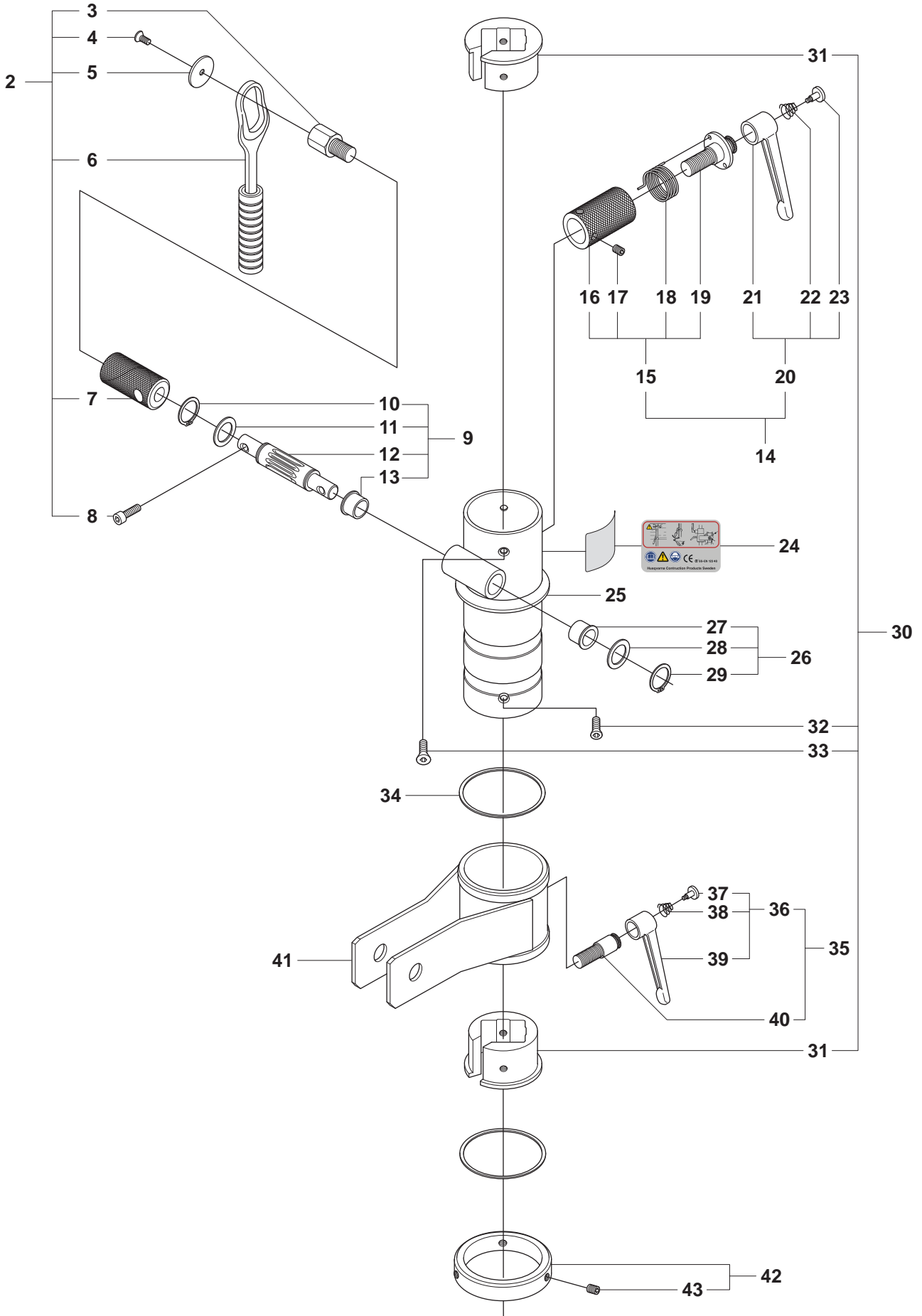


Page C
DS50 GYRO

Pos.	Part No.	Description	Quantity	Notes
1	506 40 88-10	DRILL RACK 50 ASSY	1	Incl. 2-6
2	505 41 14-03	DRILL RACK 50	1	
3	504 90 84-05	LOCKING SCREW	1	
4	506 40 06-07	ADJUSTMENT SCREW	1	
5	531 14 06-44	NUT	1	
6	506 40 06-05	ADJUSTMENT SCREW ASSY	1	Incl. 4-5

D DS50 GYRO

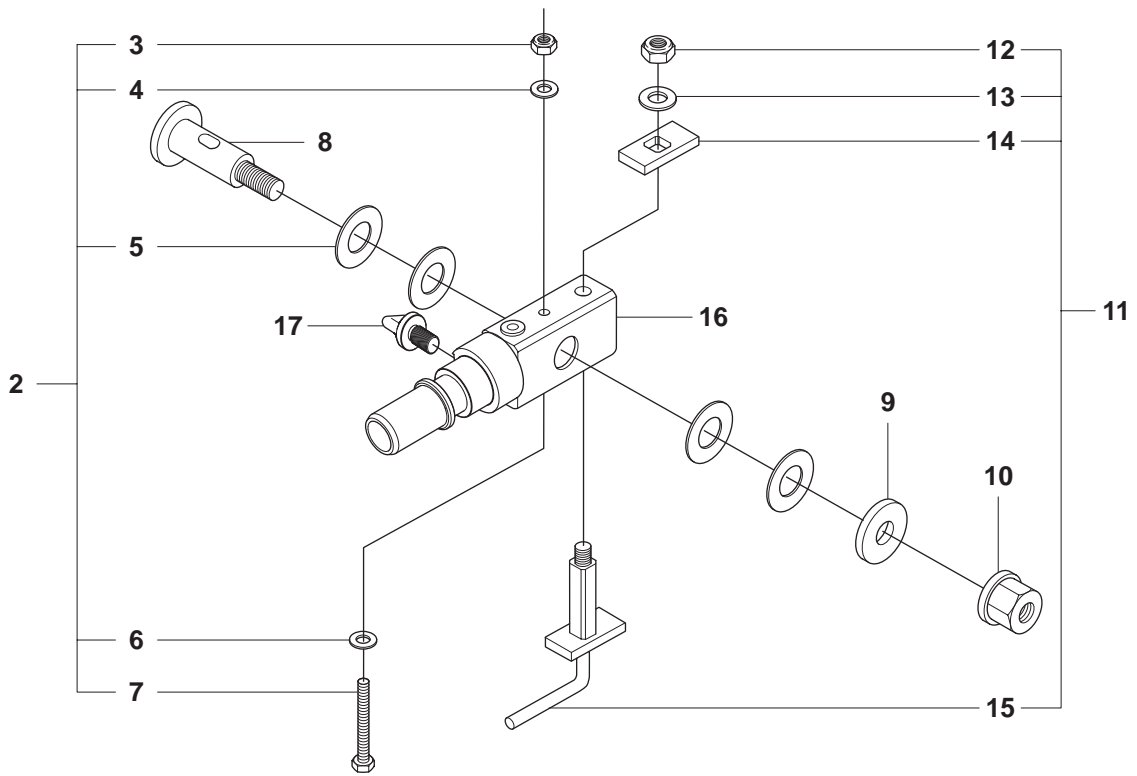
1



Page D
DS50 GYRO

Pos.	Part No.	Description	Quantity	Notes
1	506 40 91-04	GYRO UNIT 50 ASSY	1	Incl. 2, 9, 14, 24-26, 30, 35-36, 42-43
2	506 40 77-17	HANDLE CPL	1	Incl. 3-8
3	531 14 06-50	SCREW	1	
4	531 14 08-04	SCREW	1	
5	504 02 11-01	WASHER	1	
6	544 22 27-03	KEY	1	
7	504 02 12-01	SLEEVE	1	
8	531 14 06-59	SCREW	1	
9	506 40 17-01	SHAFT CPL	1	Incl. 10-13
10	531 14 07-66	WASHER	2	
11	531 14 07-67	WASHER	2	
12	531 14 07-71	SHAFT	1	
13	531 14 06-77	BUSHING	2	
14	506 40 77-14	ADJUSTABLE LEVER CPL	1	Incl. 15, 20
15	506 40 78-01	SPRING GRIP CPL	1	Incl. 16-19
16	531 14 07-64	GRIP	1	
17	531 14 06-57	SCREW	2	
18	531 14 06-56	SPRING	1	
19	531 14 07-63	RETAINER SPRING GRIP	1	
20	501 38 46-04	HANDLE CPL	1	Incl. 21-23
21	504 01 81-02	HANDLE	1	
22	501 38 47-02	SPRING	1	
23	501 38 60-02	SCREW	1	
24	544 12 85-01	DECAL	1	
25	531 14 06-60	SLEEVE INNER	1	
26	506 40 19-01	BUSHING KIT	1	Incl. 27-29
27	531 14 06-77	BUSHING	2	
28	531 14 07-67	WASHER	2	
29	531 14 07-66	WASHER	2	
30	506 40 89-01	BUSHING KIT	1	Incl. 31-33
31	531 14 06-52	BUSHING	2	
32	531 14 06-61	SCREW	4	
33	531 14 06-58	SCREW	4	
34	531 14 06-62	WASHER	2	
35	506 40 77-13	ADJUSTABLE LEVER CPL	1	Incl. 36, 40
36	501 38 46-03	HANDLE CPL	1	Incl. 37-39
37	501 38 60-01	SCREW	1	
38	501 38 47-01	SPRING	1	
39	504 01 81-01	HANDLE	1	
40	544 23 56-02	SCREW CPL	1	
41	531 14 06-63	RETAINER	1	
42	506 40 18-03	RETAINING RING	1	Incl. 43
43	531 14 06-70	SCREW	3	

E DS50 GYRO

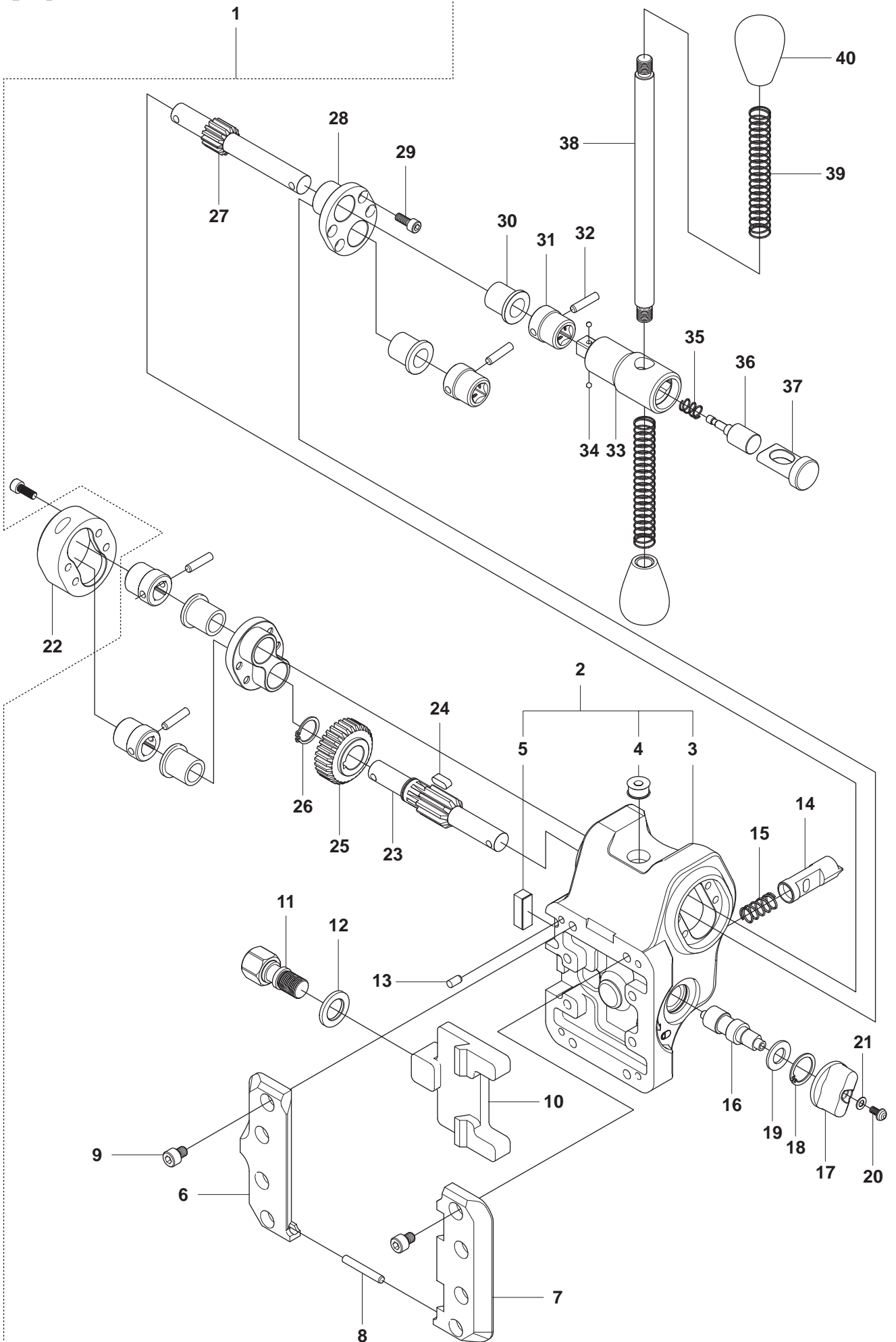


Page E
DS50 GYRO

Pos.	Part No.	Description	Quantity	Notes
1	506 40 91-04	GYRO UNIT 50 ASSY	1	PAGE D Incl. PAGE E Pos. 2, 11
2	506 40 15-01	SCREW KIT	1	Incl. 3-7
3	531 14 06-30	NUT	1	
4	531 14 06-38	WASHER	1	
5	531 14 06-32	WASHER	4	
6	531 14 06-38	WASHER	1	
7	501 38 86-01	SCREW	1	
8	531 14 06-29	SHAFT	1	
9	531 14 06-36	WASHER	1	
10	531 14 06-37	NUT	1	
11	506 40 16-01	HANDLE CPL	1	Incl. 12-15
12	531 14 06-00	NUT	1	
13	531 14 07-22	WASHER	1	
14	531 14 06-34	WASHER	1	
15	531 14 06-40	HANDLE	1	
16	505 51 99-03	RETAINER	1	
17	504 90 91-05	LOCKING KNOB	1	

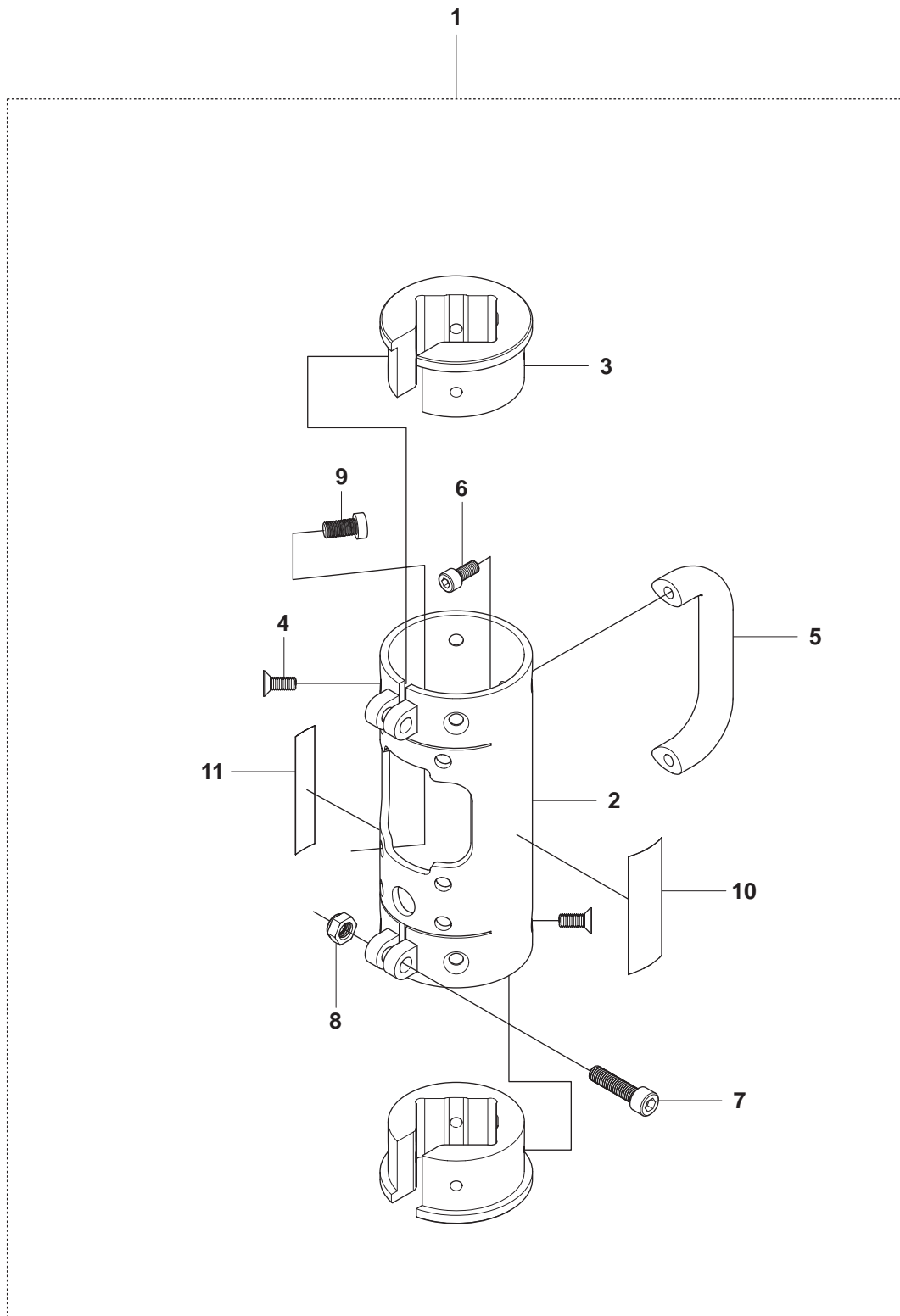
F1

DS50 GYRO



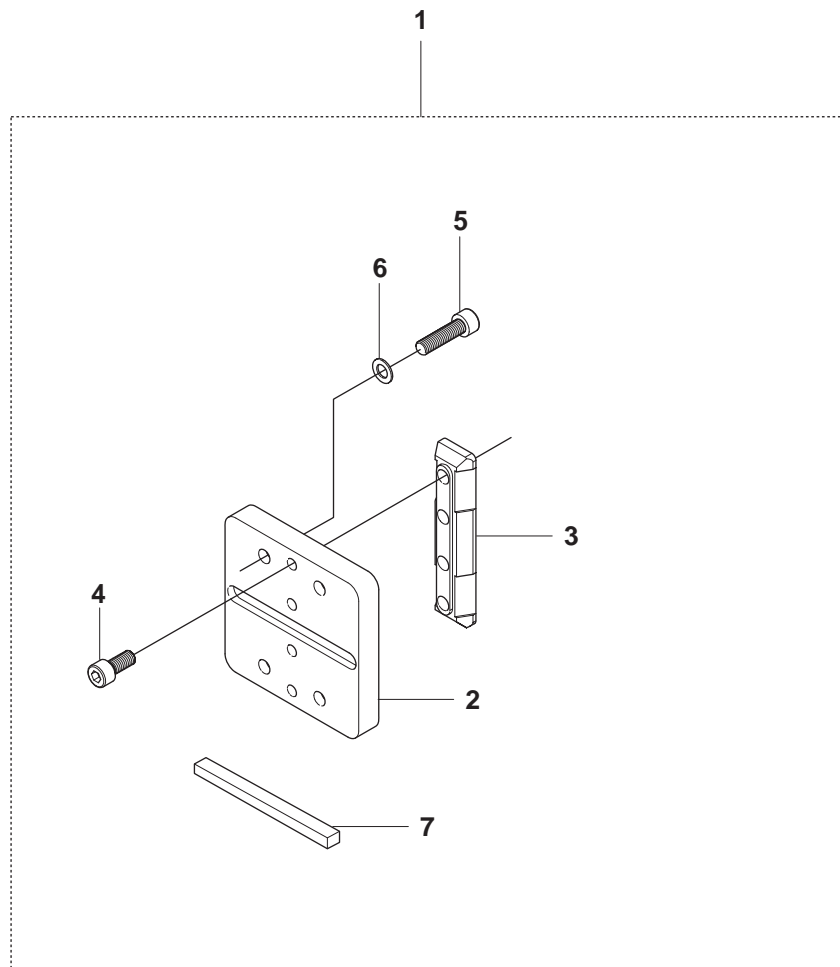
Page F1
DS50 GYRO

Pos.	Part No.	Description	Quantity	Notes
1	505 40 03-01	DRILL CARRIAGE 50 ASSY	1	Incl. 2, 6-41 and 2-11 on Page F2
2	505 40 03-10	MOUNTING BRACKET ASSY	1	Incl. 3-5
3	505 40 03-07	MOUNTING BRACKET	1	
4	531 14 08-97	LEVEL ROUND	1	
5	531 14 08-98	LEVEL SQUARE	1	
6	504 90 83-22	MOUNTING PLATE	1	
7	504 90 83-21	MOUNTING PLATE	1	
8	504 90 83-23	PIN	1	
9	504 90 83-24	SCREW	8	
10	504 90 83-25	LOCK SLEDGE	1	
11	504 90 36-01	SCREW	1	
12	504 71 19-01	WASHER	1	
13	504 90 83-26	PIN	4	
14	504 71 18-02	SLEEVE	1	
15	505 40 03-08	SPRING	1	
16	505 40 03-09	SLEEVE	1	
17	504 90 83-17	KNOB	1	
18	504 90 83-16	WASHER	1	
19	504 90 83-15	WASHER	1	
20	504 90 83-19	SCREW	1	
21	504 90 83-18	WASHER	1	
22	504 90 83-37	BRACKET	0	Fitting for Autofeed, not included.
23	504 90 49-01	SHAFT	1	
24	504 90 83-36	WEDGE	1	
25	504 60 06-01	GEAR WHEEL	1	
26	504 90 83-35	WASHER	1	
27	504 60 06-02	SHAFT	1	
28	504 90 83-07	LID	2	
29	504 90 83-12	SCREW	8	
30	504 90 83-08	BUSHING	4	
31	504 90 83-09	SLEEVE	4	
32	504 90 83-10	PIN	4	
33	505 40 03-03	SLEEVE	1	
34	504 90 83-05	BALL	2	
35	504 90 83-04	SPRING	1	
36	505 40 03-04	PLUG	1	
37	505 40 03-05	HOLDER	1	
38	531 14 06-82	LEVER	1	
39	531 14 06-73	SPRING	2	
40	531 14 06-72	GRIP	2	



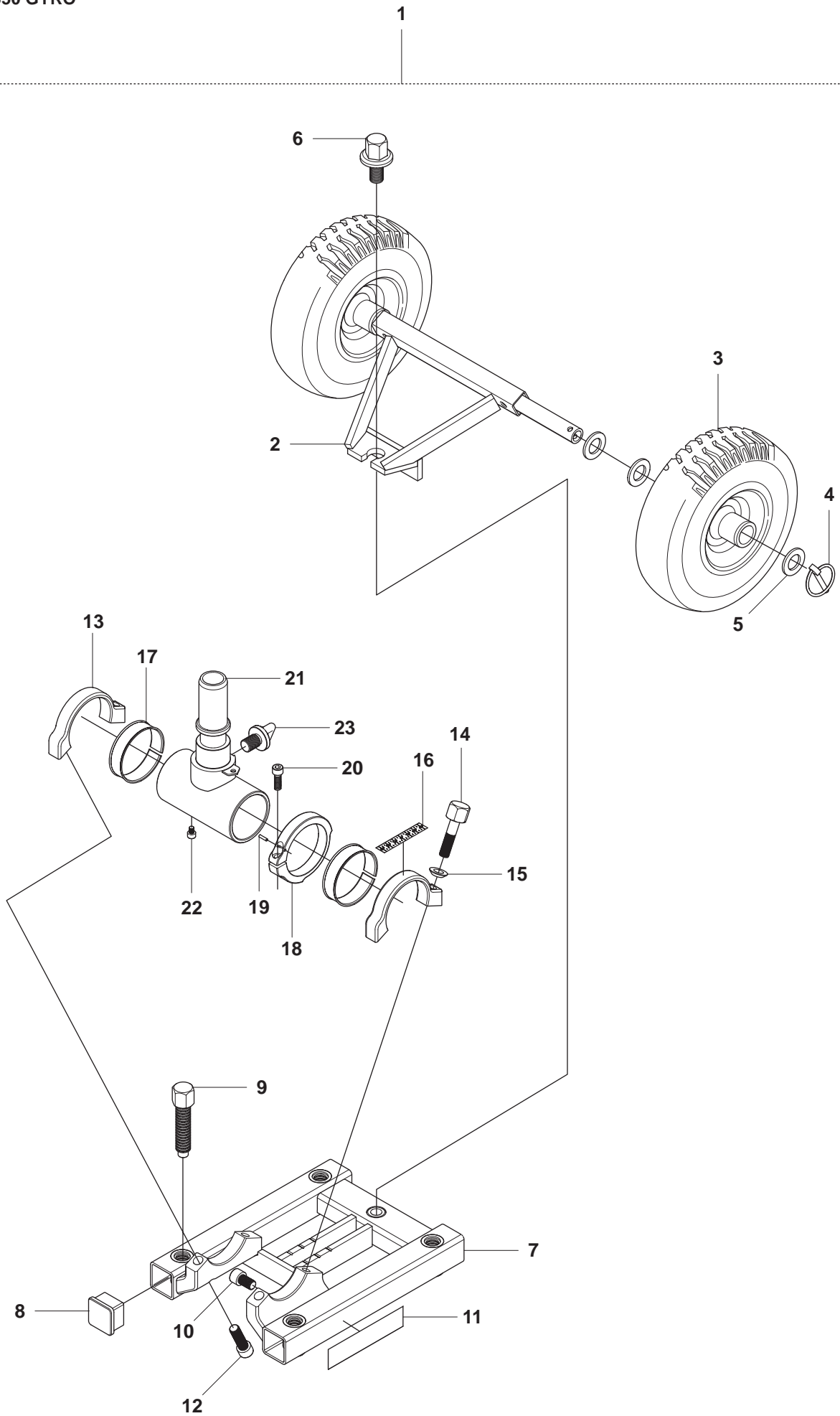
Page F2
DS50 GYRO

Pos.	Part No.	Description	Quantity	Notes
1	505 40 03-01	DRILL CARRIAGE 50 ASSY	1	Incl. 2-11 and 2, 6-41 on Page D1
2	505 40 03-11	DRILL CARRIAGE 50	1	
3	531 14 08-82	BUSHING	2	
4	531 14 06-58	SCREW	8	
5	505 40 03-12	HANDLE	1	
6	531 14 06-85	SCREW	2	
7	531 14 06-86	SCREW	2	
8	531 14 06-30	NUT	2	
9	504 90 83-34	SCREW	6	
10	544 12 85-02	DECAL CE	1	
11	504 02 10-01	DECAL HUSQVARNA	1	



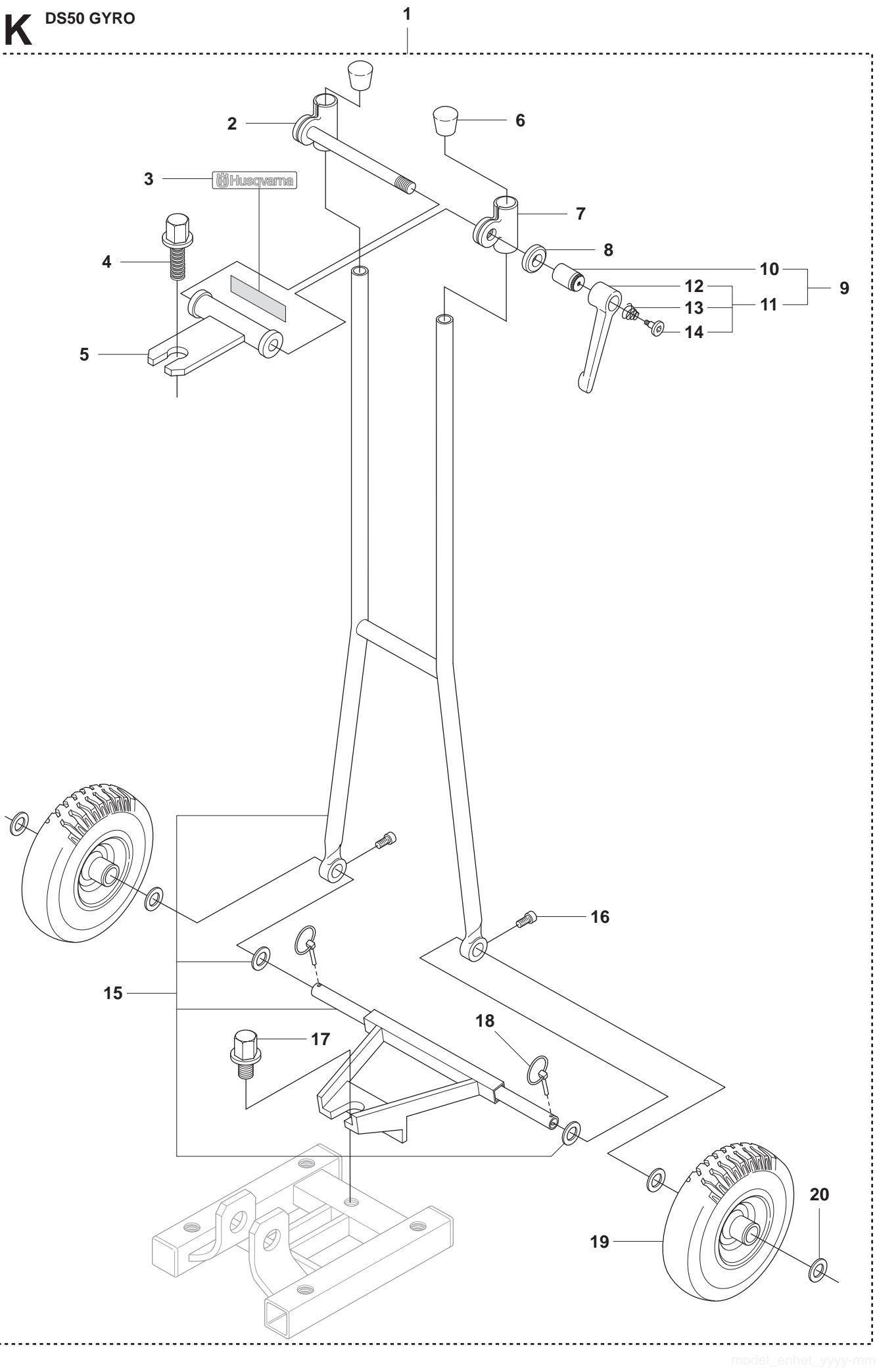
Page G
DS50 GYRO

Pos.	Part No.	Description	Quantity	Notes
1	506 40 08-07	MOTOR MOUNT 50/70 ASSY	1	Incl. 2-6
2	504 71 92-01	MOTOR MOUNT 50/70	1	
3	504 90 83-33	WEDGE	1	
4	504 69 63-01	SCREW	4	
5	531 14 06-59	SCREW	4	
6	531 14 07-12	WASHER	4	
7	531 14 06-74	WEDGE	1	



Page H
DS50 GYRO

Pos.	Part No.	Description	Quantity	Notes
1	505 41 13-01	BASE PLATE 50AT/ATS ASSY	1	Incl. 2-23
2	504 90 91-14	SHAFT HOLDER	1	
3	531 14 06-24	WHEEL	2	
4	531 14 06-23	R-CLIP	2	
5	531 14 06-27	WASHER	6	
6	531 14 07-43	LOCKING SCREW	1	
7	505 41 13-07	BASE PLATE 50AT/ATS	1	
8	531 14 06-20	PLUG	4	
9	531 14 06-18	ADJUSTMENT SCREW	4	
10	504 90 91-13	SCREW	1	
11	504 02 10-02	DECAL	1	
12	504 90 91-12	SCREW	2	
13	505 41 13-02	CURLY BRACKET	2	
14	504 90 06-01	SCREW	2	
15	504 90 91-02	WASHER	2	
16	505 41 13-06	DECAL	1	
17	505 41 13-03	CLAMMER RING	2	
18	505 41 13-05	LOCKING RING	1	
19	504 90 91-08	PIN	1	
20	504 90 91-07	SCREW	1	
21	505 41 13-04	BRACKET	1	
22	504 90 91-09	SCREW	1	
23	504 90 91-05	LOCKING KNOB	1	



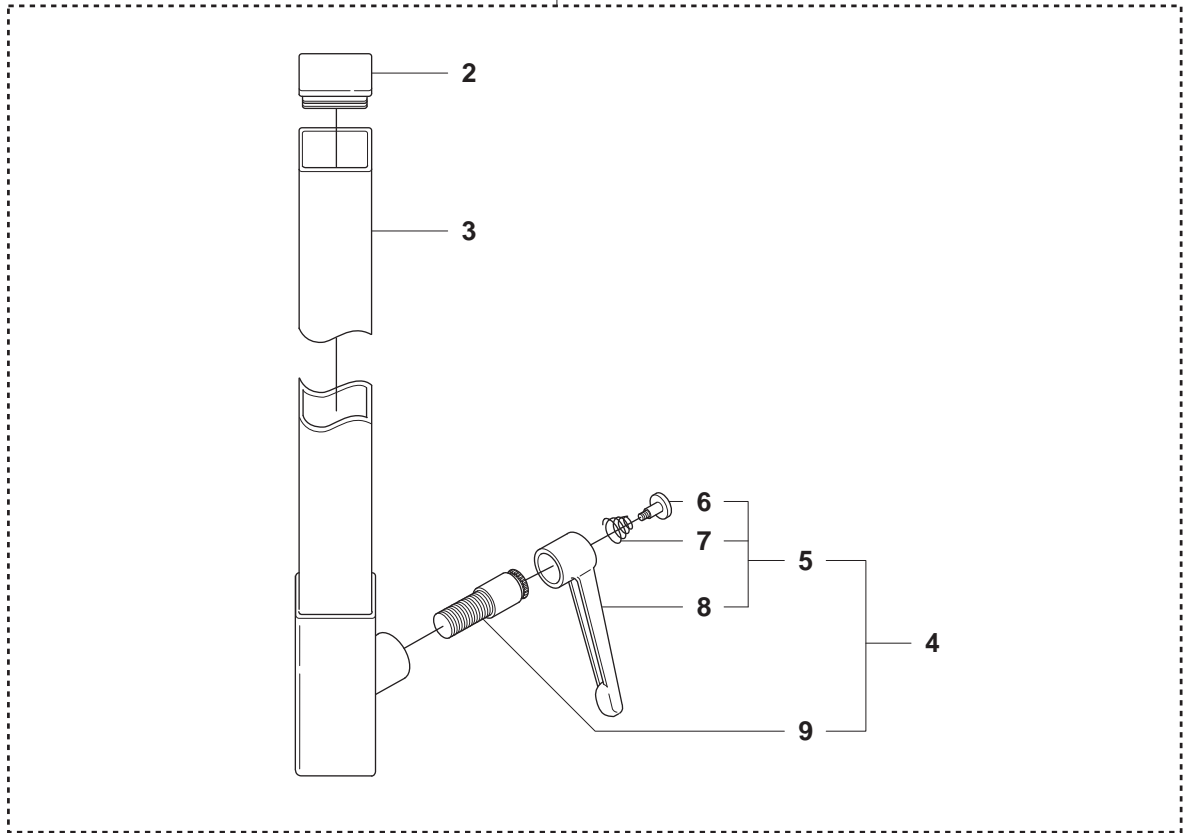
Page K
DS50 GYRO

Pos.	Part No.	Description	Quantity	Notes
1	506 40 76-10	STABILIZER ASSY	1	Incl. 2-9, 15-20
2	531 14 07-37	SLEEVE	1	
3	504 02 10-01	DECAL	1	
4	531 14 07-35	SCREW	1	
5	504 02 09-01	FORK	1	
6	531 14 07-38	PLUG	2	
7	531 14 07-39	SLEEVE	1	
8	531 14 06-76	WASHER	1	
9	506 40 77-15	ADJUSTABLE LEVER CPL	1	Incl. 10, 11
10	531 14 06-75	SLEEVE	1	
11	501 38 46-04	HANDLE CPL	1	Incl. 12-14
12	504 01 81-02	HANDLE	1	
13	501 38 47-02	SPRING	1	
14	501 38 60-02	SCREW	1	
15	506 40 76-12	STABILIZER	1	
16	531 14 06-79	SCREW	2	
17	531 14 07-43	SCREW	1	
18	531 14 06-23	R-CLIP	2	
19	531 14 06-24	WHEEL	2	
20	531 14 06-27	WASHER	6	

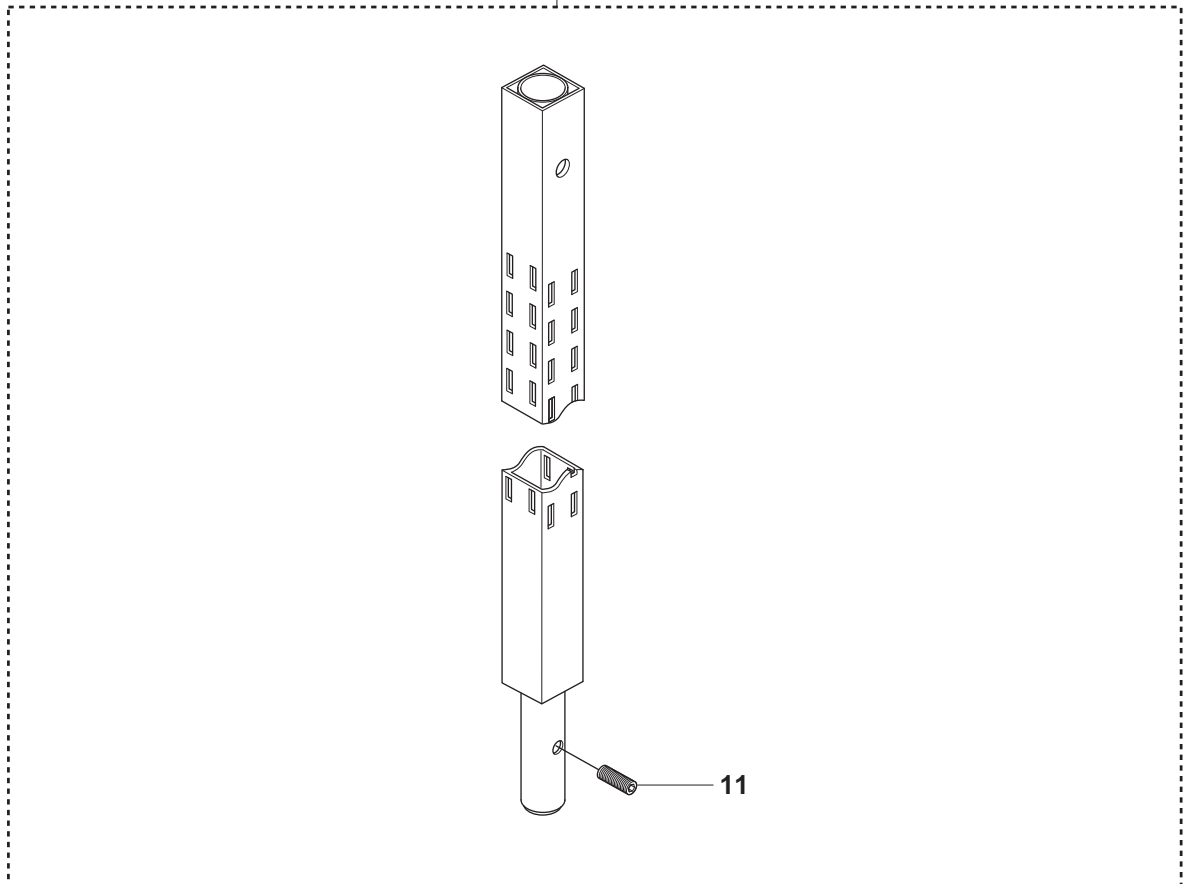


DS50 GYRO

1



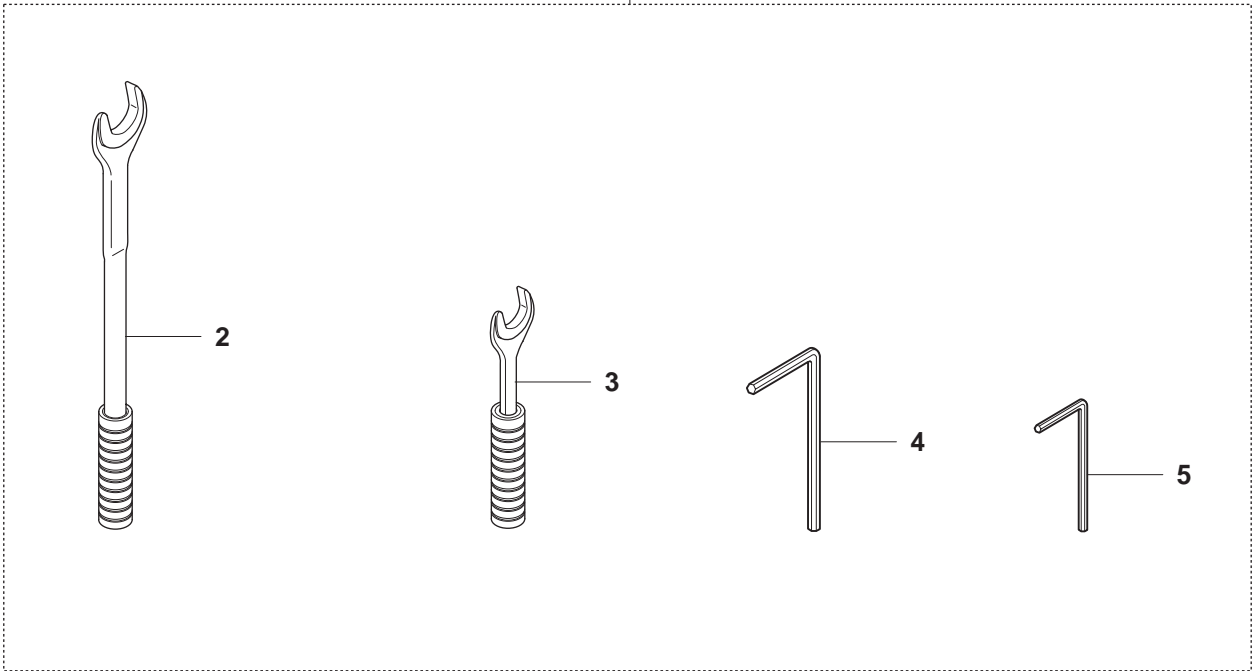
10



Page L
DS50 GYRO

Pos.	Part No.	Description	Quantity	Notes
1	506 40 85-05	EXT. POLE OUTER ASSY	1	Incl. 2, 3, 4
2	531 14 06-64	PLUG	1	
3	531 14 07-48	EXT. POLE OUTER	1	
4	506 40 77-16	ADJUSTABLE LEVER CPL	1	Incl. 5, 9
5	501 38 46-04	ADJUSTABLE LEVER	1	Incl. 6-8
6	501 38 60-02	SCREW	1	
7	501 38 47-02	SPRING	1	
8	504 01 81-02	HANDLE	1	
9	544 23 56-01	SCREW CPL	1	
10	506 40 05-03	EXT. POLE INNER ASSY	1	Incl. 11
11	531 14 06-07	SCREW	1	

1



Page M
DS50 GYRO

Pos.	Part No.	Description	Quantity	Notes
1	506 40 86-01	TOOL KIT	1	Incl. 2-6
2	544 22 27-01	SPANNER 30MM	1	
3	544 22 27-02	SPANNER 24MM	1	
4	531 14 07-62	L ALLEN KEY 8MM	1	
5	544 27 98-01	L ALLEN KEY 6MM	1	