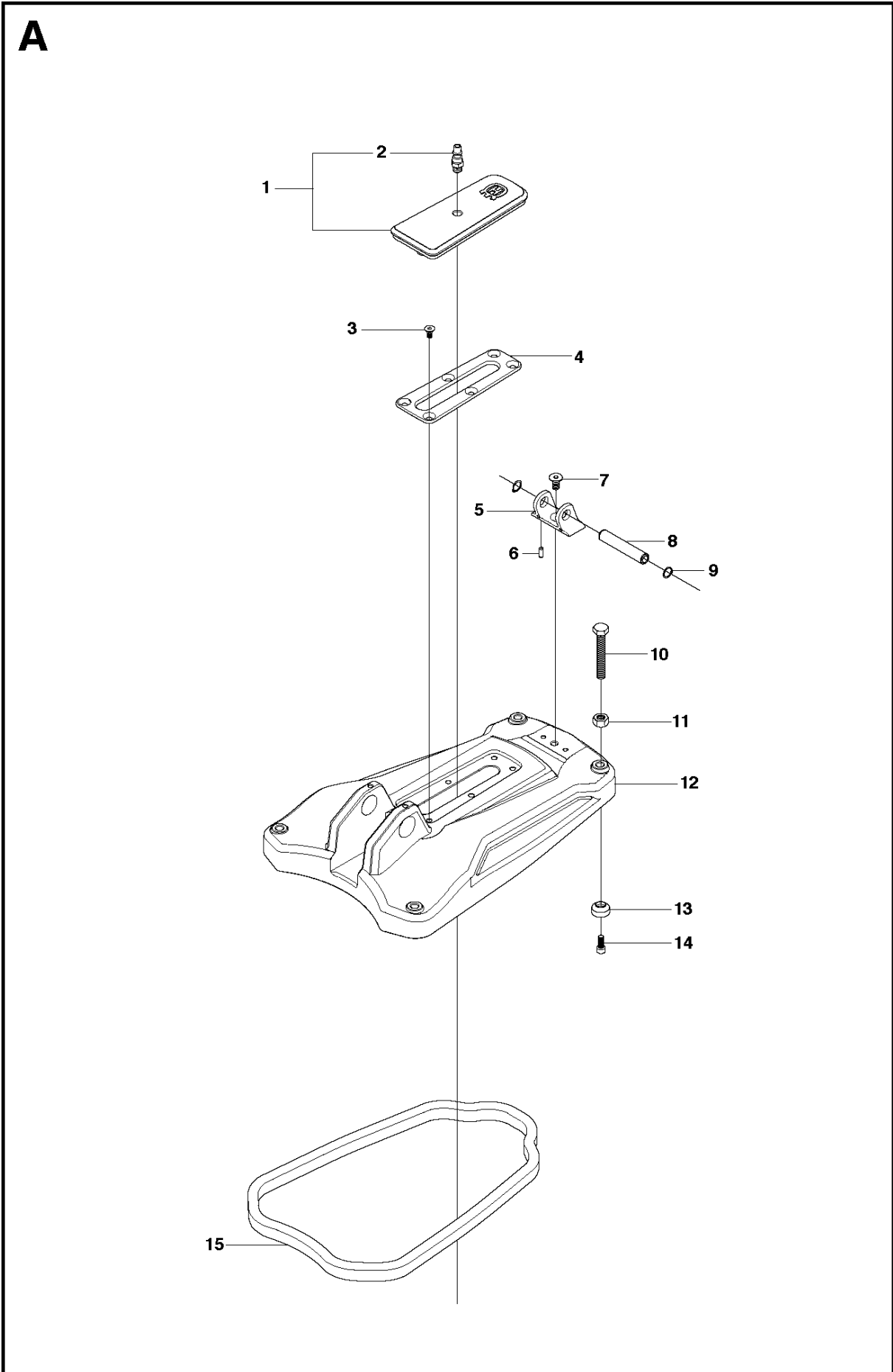




# SPARE PARTS LIST

DRILLING EQUIPMENT

DS250, 2013-01

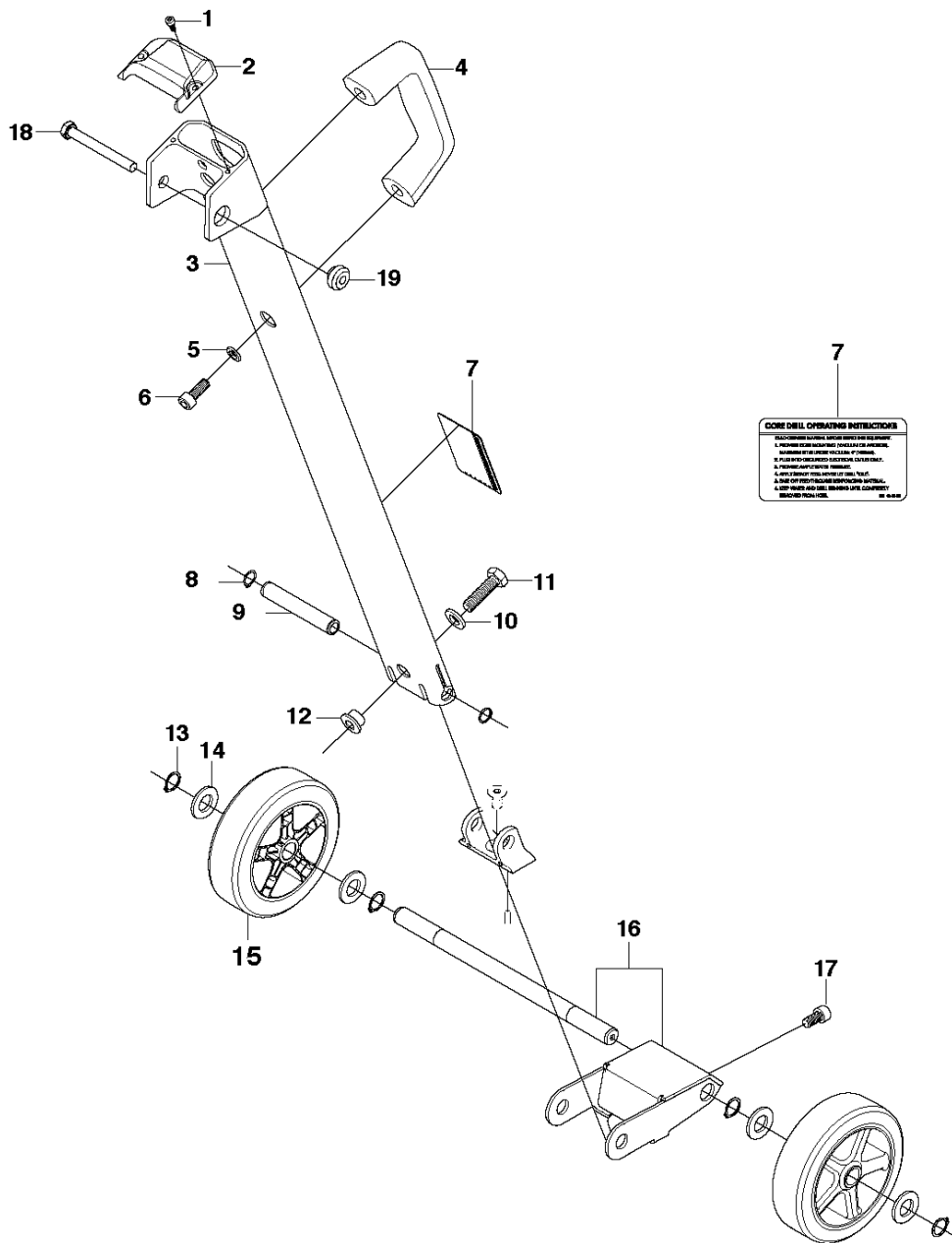


## BASE PLATE

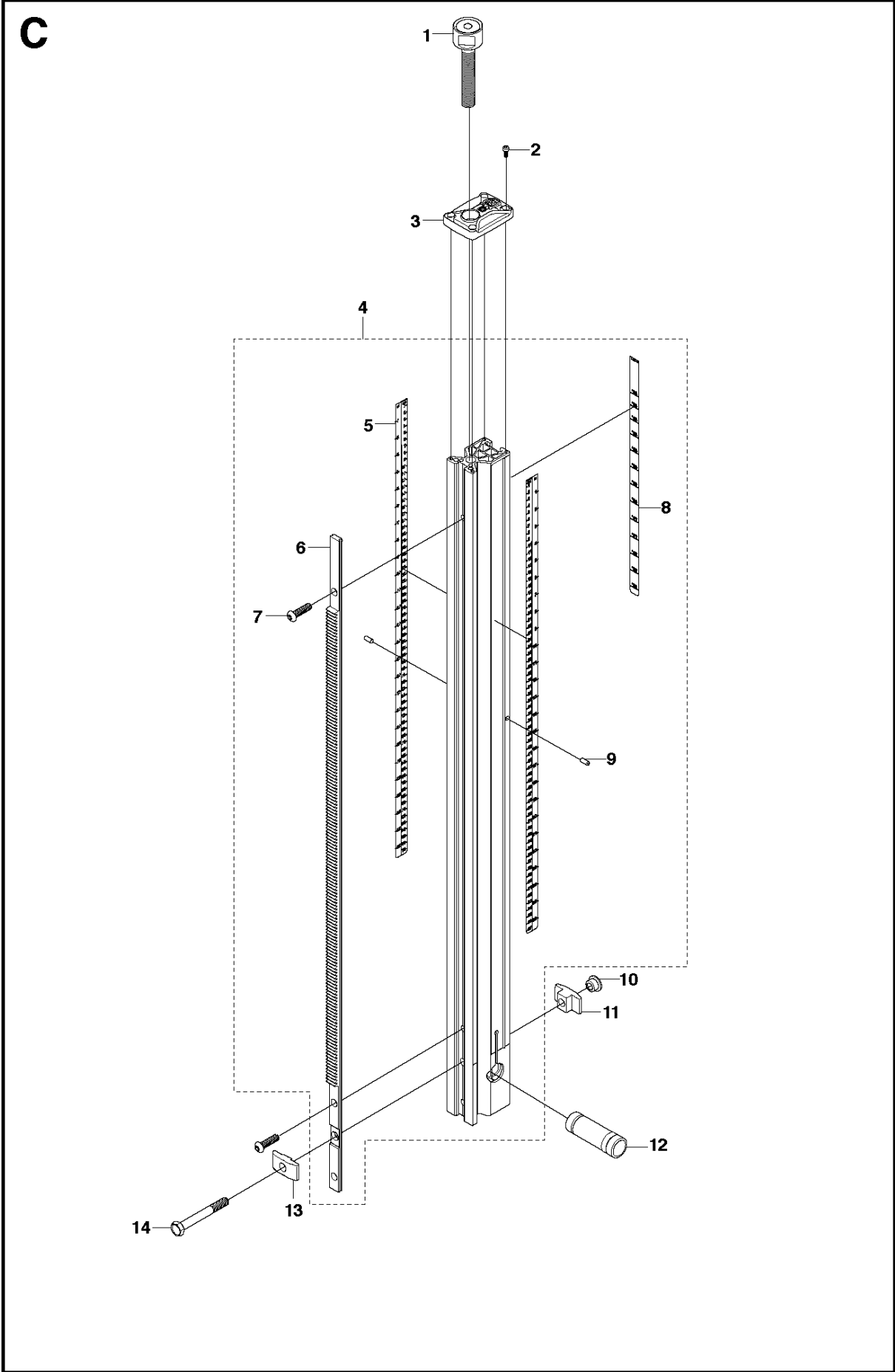
DS250, 2013-01

Ref	Part No	Description	Remark	QTY	KIT
1	579 24 27-01	COVER KIT	Complete	1	
2	541 40 40-71	NIPPLE		1	1
3	725 63 66-01	SCREW IHCSFM		6	
4	541 40 48-92	GUARD		1	
5	541 40 48-87	BASE		1	
6	720 13 06-50	PARALLEL PIN		2	
7	725 64 49-01	SCREW IHCSFM		1	
8	541 40 50-88	PIVOT		1	
9	735 31 15-00	CIRCLIP		2	
10	541 40 40-80	SCREW		4	
11	731 23 20-01	HEXAGON NUT		4	
12	541 40 48-61	BASE		1	
13	541 40 40-84	SCREW		4	
14	725 53 68-01	SCREW IHSCM		4	
15	541 40 48-91	GASKET		1	

**B**



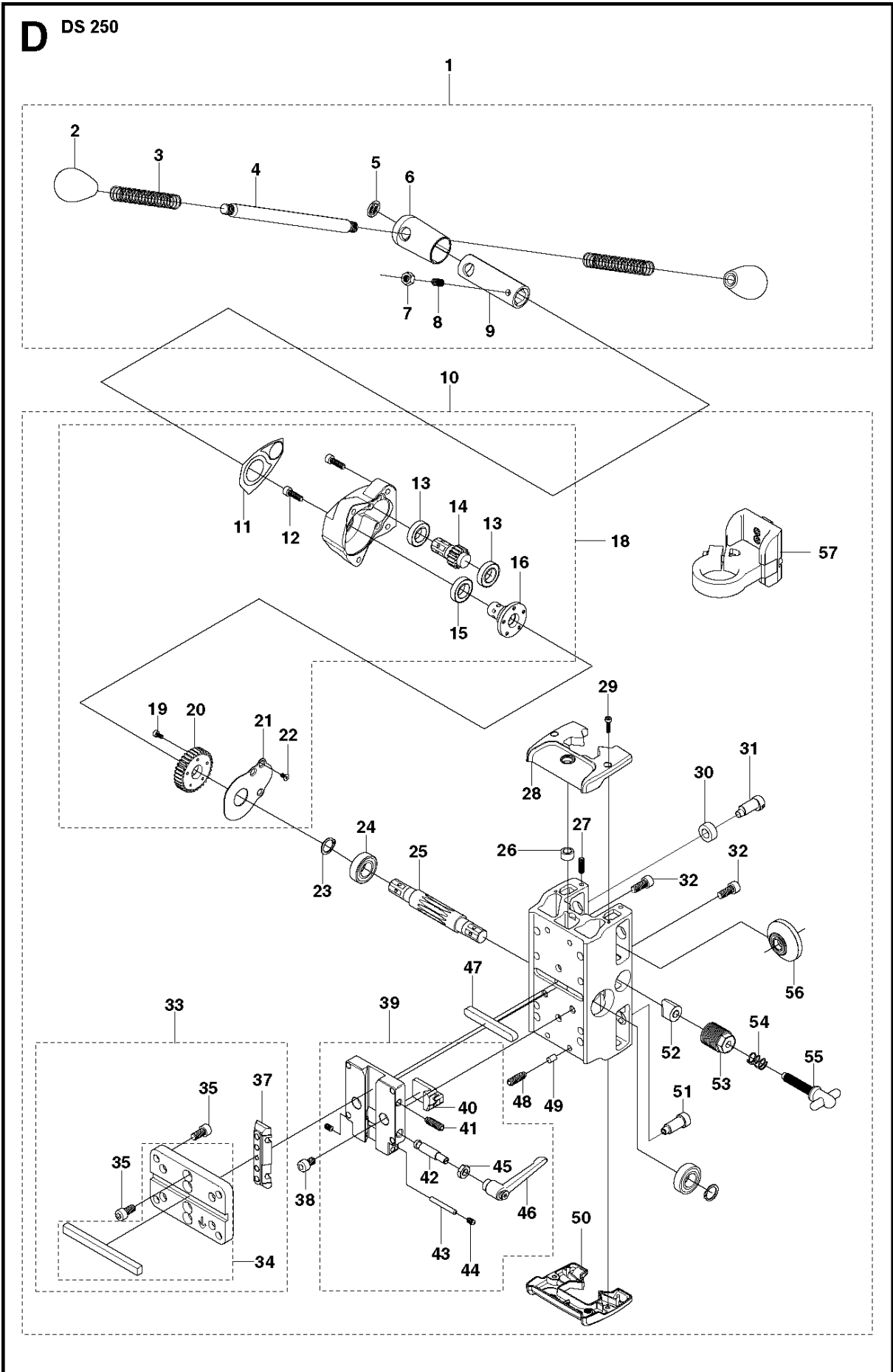
Ref	Part No	Description	Remark	QTY KIT
1	725 52 89-01	SCREW IHSCM		2
2	541 40 48-99	GUARD		1
3	541 40 48-83	SUPPORT		1
4	541 40 49-09	HANDLE		1
5	734 11 63-01	WASHER		2
6	725 54 51-01	SCREW IHSCM		2
7	541 40 40-98	DRILL		1
8	735 31 15-00	CIRCLIP		2
9	541 40 50-88	PIVOT		1
10	734 11 72-01	WASHER		1
11	725 24 97-71	SCREW EHHM		1
12	541 40 50-67	COLUMN		1
13	735 31 17-01	CIRCLIP		4
14	734 11 82-01	WASHER		4
15	541 40 50-84	WHEEL		2
16	541 40 50-87	WHEEL		1
17	725 54 49-01	SCREW IHSCM		1
18	725 25 09-51	SCREW EHHM		1
19	541 40 48-27	BUSHING		1



COLUMN ASSY

DS250, 2013-01

Ref	Part No	Description	Remark	QTY KIT	
1	541 40 48-09	SCREW		1	
2	725 52 89-01	SCREW IHSCM		4	
3	541 40 48-68	GUARD		1	
4	579 24 28-01	STAND KIT		1	
5	541 40 40-54	DECAL		2	4
6	541 40 48-78	RACK		1	4
7	541 40 48-15	SCREW IHPANM		3	4
8	541 40 48-82	DECAL		1	4
9	720 13 06-50	PARALLEL PIN		2	4
10	541 40 50-67	COLUMN		1	
11	541 40 48-70	COLUMN		1	
12	541 40 48-81	COLUMN		1	
13	541 40 48-69	COLUMN		1	
14	725 25 07-51	SCREW EHHM		1	





## CARRIAGE

DS250, 2013-01

Ref	Part No	Description	Remark	QTY	KIT
1	541 40 41-01	LEVER	Complete	1	
2	531 14 06-72	GRIP		2	1
3	541 40 51-63	SPRING		2	1
4	541 40 49-05	SHAFT		1	1
5	541 40 50-47	DECAL		1	1
6	541 40 51-37	HANDLE		1	1
7	732 21 18-01	LOCK NUT		1	1
8	541 40 41-33	BALL		1	1
9	541 40 40-44	SHAFT		1	1
10	579 24 30-01	KIT	Not for Single Speed	1	1
11	541 40 49-35	DECAL		1	10,18
12	725 53 72-01	SCREW IHSCM		5	10,18
13	541 40 49-10	BEARING		2	10,18
14	541 40 49-11	MODULE		1	10,18
15	522 80 56-01	BALL BEARING		1	10,18
16	541 40 49-13	SHAFT		1	10,18
18	579 24 29-01	GEAR WHEEL KIT	Not for Single Speed	1	10
19	725 52 87-01	SCREW IHSCM		5	10,18
20	541 40 49-12	MODULE		1	10,18
21	541 40 49-28	COVER PLATE		1	10,18
22	725 62 87-01	SCREW IHCSFM		3	10,18
23	735 31 19-00	CIRCLIP		2	10
24	738 21 03-04	BALL BEARING		2	10
25	541 40 48-06	CARRIAGE		1	10
26	541 40 50-36	LEVEL		1	10
27	728 73 70-01	SCREW IHSETM		4	10
28	541 40 48-00	GUARD		1	10
29	725 52 93-01	SCREW IHSCM		4	10
30	541 40 48-03	ECCENTRIC BUSHING		4	10
31	541 40 48-05	ECCENTRIC DISC		2	10
32	725 54 51-01	SCREW IHSCM		2	10
33	575 84 83-01	BRACKET		1	10
34	590 49 47-01	PLATE		1	10,33
35	725 54 49-01	SCREW IHSCM		16	10,33
37	525 54 07-01	WEDGE		1	10,33
38	725 54 47-01	SCREW IHSCM		2	10
39	577 95 06-01	BRACKET		1	10
40	577 83 62-01	LOCK		1	10,39
41	728 74 55-06	SCREW IHSETM		1	10,39
42	577 83 61-01	BOLT		1	10,39
43	510 20 27-01	PIN		1	10,39
44	728 83 64-01	SCREW IHSETM		2	10,39
45	731 43 18-01	HEXAGON THIN NUT		1	10,39
46	543 85 02-16	INDEXABLE HANDLE, NUT M8		1	10,39
47	541 40 40-31	KEY		1	10
48	728 64 53-01	SCREW IHSETM		4	10
49	541 40 40-32	GUIDE		4	10
50	541 40 48-62	GUARD		1	10
51	541 40 48-04	SHAFT		2	10
52	579 27 01-01	KIT		1	10
53	541 40 48-64	BRAKE		1	10
54	541 40 50-43	SPRING		1	10
55	541 40 48-16	BRAKE		1	10
56	541 40 48-96	ROLLER		4	10
57	581 25 71-01	ADAPTER	Only for Single Speed	1	