

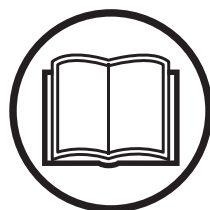



Husqvarna[®]



Operator's manual Manual de instrucciones
Instruções para o uso Οδηγίες χρήσης

DS900



Please read the operator's manual carefully and make sure you understand the instructions before using the machine.
Lea detenidamente el manual de instrucciones y asegúrese de entender su contenido antes de utilizar la máquina.
Leia as instruções para o uso com toda a atenção e compreenda o seu conteúdo antes de fazer uso da máquina.
Διαβάστε προσεκτικά τις Οδηγίες χρήσης και κατανοήστε το περιεχόμενό πριν χρησιμοποιήσετε το μηχάνημα.

GB (2-14)
ES (15-27)
PT (38-40)
GR (41-53)

KEY TO SYMBOLS

Symbols on the machine

WARNING! The machine can be a dangerous tool if used incorrectly or carelessly, which can cause serious or fatal injury to the operator or others.



Please read the operator's manual carefully and make sure you understand the instructions before using the machine.



Other symbols/decals on the machine refer to special certification requirements for certain markets.

Explanation of warning levels

The warnings are graded in three levels.

WARNING!



WARNING! Used if there is a risk of serious injury or death for the operator or damage to the surroundings if the instructions in the manual are not followed.

CAUTION!



CAUTION! Used if there is a risk of injury to the operator or damage to the surroundings if the instructions in the manual are not followed.

NOTICE!

NOTICE! Used if there is a risk of damage to materials or the machine if the instructions in the manual are not followed.

CONTENTS

Contents

KEY TO SYMBOLS

Symbols on the machine	2
Explanation of warning levels	2

CONTENTS

Contents	3
----------------	---

PRESENTATION

Dear Customer,	4
Design and features	4
Stand	4

WHAT IS WHAT?

What is what on the stand?	5
----------------------------------	---

MACHINE'S SAFETY EQUIPMENT

General	6
Carriage lock	6
End stop on the rail	6

OPERATING

Steps before using a new stand	7
Protective equipment	7
General safety precautions	8
General working stand safety warnings	8
Secure the stand	9
Assembly of drill motor	9
Adjust the column tilt	10
Before drilling	10
Drill motor spacer block	10
Recommended drill diameter	10
When drilling	11
Transport wheels	11
Change drill column	11

MAINTENANCE

Stand maintenance	12
-------------------------	----

TECHNICAL DATA

Technical data	14
EC Declaration of Conformity	14

PRESENTATION

Dear Customer,

Thank you for choosing a Husqvarna product!

It is our wish that you will be satisfied with your product and that it will be your companion for a long time. A purchase of one of our products gives you access to professional help with repairs and services. If the retailer who sells your machine is not one of our authorised dealers, ask him for the address of your nearest service workshop.

This operator's manual is a valuable document. Make sure it is always at hand at the work place. By following its content (using, service, maintenance etc.) the life span and the second-hand value of the machine can be extended. If you will sell this machine, make sure that the buyer will get the operator's manual.

More than 300 years of innovation

Husqvarna AB is a Swedish company based on a tradition that dates back to 1689, when the Swedish King Charles XI ordered the construction of a factory for production of muskets. At that time, the foundation was already laid for the engineering skills behind the development of some of the world's leading products in areas such as hunting weapons, bicycles, motorcycles, domestic appliances, sewing machines and outdoor products.

Husqvarna is the global leader in outdoor power products for forestry, park maintenance and lawn and garden care, as well as cutting equipment and diamond tools for the construction and stone industries.

Owner responsibility

It is the owner's/employer's responsibility that the operator has sufficient knowledge about how to use the machine safely. Supervisors and operators must have read and understood the Operator's Manual. They must be aware of:

- The machine's safety instructions.
- The machine's range of applications and limitations.
- How the machine is to be used and maintained.

National legislation could regulate the use of this machine. Find out what legislation is applicable in the place where you work before you start using the machine.

The manufacturer's reservation

Subsequent to publishing this manual Husqvarna may issue additional information for safe operation of this product. It is the owner's obligation to keep up with the safest methods of operation.

Husqvarna AB has a policy of continuous product development and therefore reserves the right to modify the design and appearance of products without prior notice.

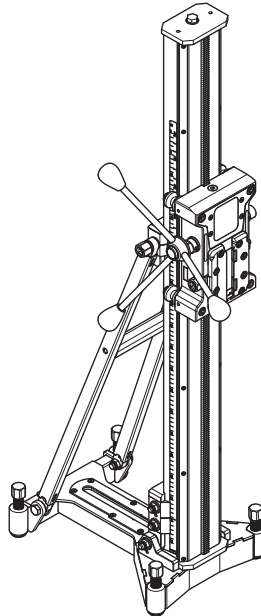
For customer information and assistance, contact us at our website: www.husqvarna.com

Design and features

Values such as high performance, reliability, innovative technology, advanced technical solutions and environmental considerations distinguish Husqvarna's products. Safe operation of this product requires the operator to read this manual carefully. Ask your dealer or Husqvarna should you need more information.

Some of the unique features of your product are described below.

Stand DS900

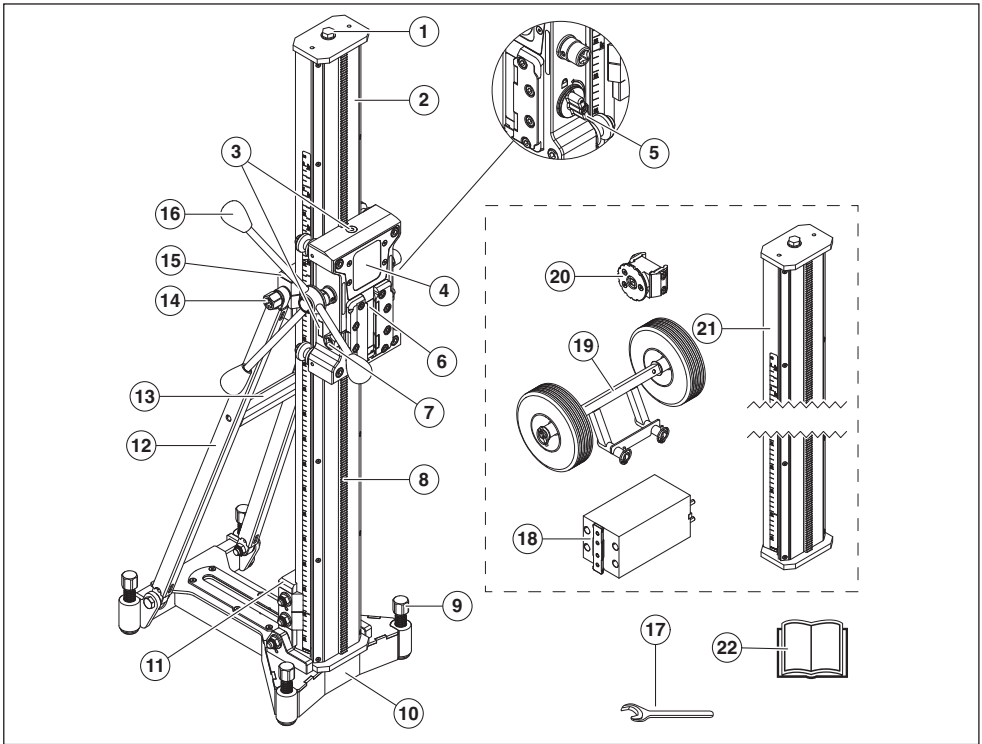


- The stand is for drilling in ceilings, walls and floors.
- The drill stand is stable and can handle large drill dimensions.
- The column can be tilted 0-60° and has a long feeding length.
- The drill stand is equipped with a quick connection plate for the drillmotor.
- The feed lever can be used to set the column tilt and to lock the quick mounting.
- It is possible to use an 2 metre long drill column on this stand.

Accessories

- Transport wheels
- Drill motor spacer block
- AD bracket
- Drill column, 2 m

WHAT IS WHAT?



What is what on the stand?

- | | | | |
|----|--|----|--|
| 1 | Jacking screw | 12 | Stabilizer |
| 2 | Drill column | 13 | Carrying handle |
| 3 | Level indicator | 14 | Locking screw, column tilt |
| 4 | Carriage | 15 | Locking clamp, stabilizer/drill column |
| 5 | Carriage lock | 16 | Feeder handle |
| 6 | Locking clamp, quick mounting | 17 | Open-ended spanner, NV 24 |
| 7 | Locking screw, locking clamp | 18 | Drill motor spacer block (accessory) |
| 8 | Gear rack | 19 | Transport wheels (accessory) |
| 9 | Leveling adjustment screws | 20 | AD bracket (accessory) |
| 10 | Base plate | 21 | Drill column, 2 m (accessory) |
| 11 | Locking clamp, base plate/drill column | 22 | Operator's manual |

MACHINE'S SAFETY EQUIPMENT

General



Never use a machine with faulty safety equipment. The machine's safety equipment must be checked and maintained as described in this section. If your machine fails any of these checks contact your service agent to get it repaired.

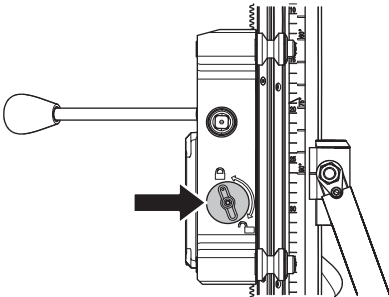
This section describes the machine's safety equipment, its purpose, and how checks and maintenance should be carried out to ensure that it operates correctly.

Carriage lock

The carriage lock is used for example when replacing the drill bit and mounting the drill motor. The lock consists of a knob that locks the carriage to the drill column.

Carriage lock inspection

- Turn the knob to lock it.
- Feel by hand that the carriage is locked to the drill column.

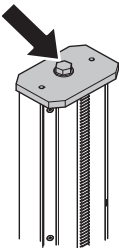


End stop on the rail

The end stop is to prevent the carriage leaving the rails.

Checking the end stop

- Make sure the end stop is in place.



OPERATING

Steps before using a new stand

- Please read the operator's manual carefully and make sure you understand the instructions before using the machine.
- This machine is designed for and intended for drilling concrete, brick and different stone materials. All other use is improper.
- The machine is intended for use in industrial applications by experienced operators.
- Keep the workplace tidy. Disorder leads to accident risks.
- Also read the operating manual enclosed with the drill motor and check that its performance is compatible with the stand.

Always use common sense

It is not possible to cover every conceivable situation you can face. Always exercise care and use your common sense. Avoid all situations which you consider to be beyond your capability. If you still feel uncertain about operating procedures after reading these instructions, you should consult an expert before continuing.

Do not hesitate to contact your dealer if you have any more questions about the use of the machine. We will willingly be of service and provide you with advice as well as help you to use your machine both efficiently and safely.

Let your Husqvarna dealer regularly check the machine and make essential adjustments and repairs.

All information and all data in the Operator's Manual were applicable at the time the Operator's Manual was sent to print.



WARNING! Under no circumstances should you modify the original design of the machine without approval from the manufacturer. Always use original spare parts. Unauthorized modifications and/or accessories may lead to serious injury or death to the user or others.

Protective equipment

General

Do not use the machine unless you are able to call for help in the event of an accident.

Personal protective equipment

You must use approved personal protective equipment whenever you use the machine. Personal protective equipment cannot eliminate the risk of injury but it will reduce the degree of injury if an accident does happen. Ask your dealer for help in choosing the right equipment.



WARNING! The use of products such as cutters, grinders, drills, that sand or form material can generate dust and vapours which may contain hazardous chemicals. Check the nature of the material you intend to process and use an appropriate breathing mask.



WARNING! Long-term exposure to noise can result in permanent hearing impairment. So always use approved hearing protection. Listen out for warning signals or shouts when you are wearing hearing protection. Always remove your hearing protection as soon as the engine stops.



WARNING! There is always a risk of crush injuries when working with products containing moving parts. Wear protective gloves to avoid body injuries.

Always wear:

- Protective helmet
- Hearing protection
- Protective goggles or a visor
- Breathing mask
- Heavy-duty, firm grip gloves.
- Tight-fitting, heavy-duty and comfortable clothing that permits full freedom of movement.
- Boots with steel toe-caps and non-slip sole.
- Always have a first aid kit nearby.

Be careful as clothing, long hair, and jewellery can get caught in moving parts.

OPERATING

General safety precautions



WARNING! Read all safety warnings and all instructions. Neglecting to follow the warnings and instructions can lead to serious injury or death for the operator or others.

Work area safety

- **Keep work area clean and well lit.** Cluttered or dark areas invite accidents.
- People and animals can distract you causing you to lose control of the machine. For this reason, always remain concentrated and focused on the task.
- Do not use the machine in bad weather, such as dense fog, heavy rain, strong wind, intense cold, etc. Working in bad weather is tiring and can lead to dangerous conditions, e.g. slippery surfaces.
- Never start to work with the machine before the working area is clear and you have a firm foothold. Look out for any obstacles with unexpected movement. Ensure that no material can become loose and fall, causing injury when operating the machine.
- Always check the rear side of the surface where the drill bit will emerge when drilling right through. Secure and cordon off the area and make sure that no one can be injured or material damaged.

Personal safety



WARNING! There is always a risk of crush injuries when working with products containing moving parts. Always wear protective gloves.

- Wear personal protective equipment. See instructions under the "Personal protective equipment" heading.
- Never use the machine if you are tired, if you have drunk alcohol, or if you are taking medication that could affect your vision, your judgement or your coordination.
- Never allow anyone else to use the machine without first ensuring that they have read and understood the contents of the operator's manual.
- Be careful as clothing, long hair, and jewellery can get caught in moving parts.
- Never work alone, always ensure there is another person close at hand. Apart from being able to receive help to assemble the machine, you can also get help if an accident should occur.

Use and care

- Never use a machine that is faulty. Carry out the safety checks, maintenance and service instructions described in this manual. Some maintenance and service measures must be carried out by trained and qualified specialists. See instructions under the Maintenance heading.
- Never use a machine that has been modified in any way from its original specification.
- Keep all parts in good working order and ensure that all fixtures are properly tightened.

Transport and storage

- Store the equipment in a lockable area so that it is out of reach of children and unauthorized persons.
- Store the drilling machine and stand in dry and frost free conditions.

General working stand safety warnings



WARNING! Read all safety warnings and all instructions. Failure to follow the warnings and instructions may result in electric shock, fire and/or serious injury.

NOTICE! Save all warnings and instructions for future reference.

- **Disconnect the plug from the power source and/or the battery pack from the power tool before making any adjustments, changing accessories** Accidental starting of the power tool is a cause of some accidents.
- **Properly assemble the working stand before mounting the tool.** Proper assembly is important to prevent risk of collapse.
- **Securely fasten the power tool to the working stand before use.** Power tool shifting on the working stand can cause loss of control.
- **Place the working stand on a solid, flat and level surface.** When the working stand can shift or rock, the power tool or workpiece cannot be steadily and safely controlled.
- **Do not overload the working stand or use as ladder scaffolding.** Overloading or standing on the working stand causes the stand to be "top-heavy" and likely to tip over.

This stand is for Husqvarna DM machines. Only use power tools designed for this stand.

OPERATING

Secure the stand

There are two methods for fixing the stand.

- Fixing with expander or anchor
- Fixing with threaded rod, washer and lock nut

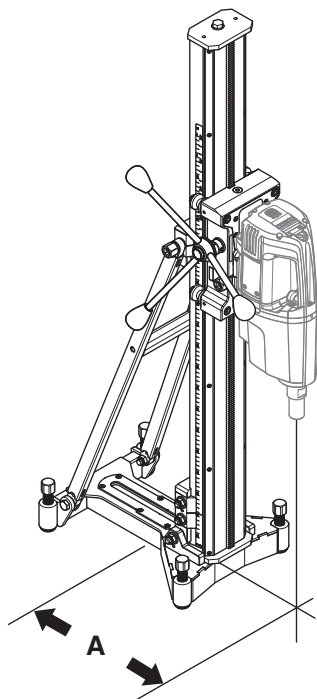
Fixing with expander or anchor



IMPORTANT! When drilling ceilings and walls, only expander or anchor suitable for surfaces exposed to tensile forces should be used.

Use only expander or anchor which is approved for current application.

- Drill a hole for the expander/anchor at a distance (A), 400 mm (15,7") from the centre of the hole. (The measurement applies for use together with DM 650 without spacer.)



- Screw on the base plate. Check carefully that the expander is secured correctly.
- The base plate can be adjusted to the surface with the adjustment screws.

NOTICE! It is a good idea to use the front of the track (closest to the column).

Fixing with threaded rod, washer and lock nut

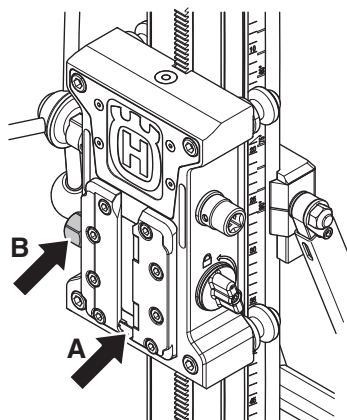
If the mounting surface is inadequate for drilling in ceilings or walls, the base plate can be fixed using a threaded rod, which is mounted on the backside with a washer and lock nut.

Assembly of drill motor



IMPORTANT! Always pull out the plug from the outlet socket before cleaning, maintenance or assembly.

- Always remove the drill bit before the motor is mounted or dismounted.
- Lock the feed housing lock.
- Fit the drilling machine in the track on the locking clamp. Make sure that the drilling machine is pushed all the way to the bottom (A) of the track on the locking clamp. Fasten the locking clamp with the locking screw (B).



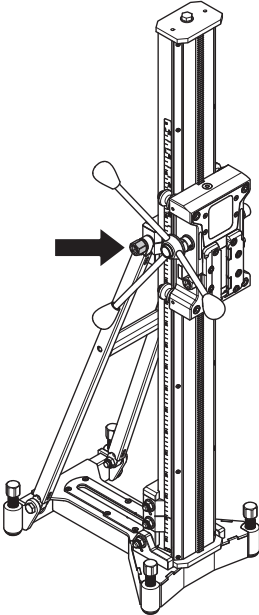
- Mount the adapter plate on the drill motor if it is needed. Not used with Husqvarna's drill motors.

OPERATING

Adjust the column tilt

The drill column can be tilted, recommended range in use is 0-60°.

- Loosen the locking screw for column tilt and set the desired drill angle. Tighten the locking screw.
- The angle indicator can be used for approximate adjustment. If higher precision is required, alternative measuring methods should be used.



Before drilling



WARNING! Before drilling, check that all locking screws are tightened well.

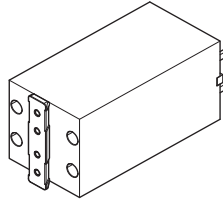
Serious accidents can occur if the concrete core remains in the drill when backing out the drill motor/drill from the floor, wall or ceiling.



WARNING! When drilling ceilings, always use a water collector that is approved for your drill motor, or use a hydraulic drill motor. There is a risk that the drilling machine and the stand become live if water leaks into the machine.

Drill motor spacer block (accessory)

A spacer is used in order to drill large diameters. There are several different versions.



- Assemble the spacer on the drill motor
- Then assemble the drill motor with spacer onto the stand, see section 'Assembly of drill motor'.

Recommended drill diameter

Max. drill diameter, mm/inches

Drill motor	Spacer block, mm/inch			
	0	50/2	2x 50/2	200/7,9
DM406	500/19,7	600/23,6	700/27,6	900/35,4
DM650	400/15,7	500/19,7	600/23,6	800/31,5
DM280/340	370/14,6	470/18,5	570/22,4	670/26,4

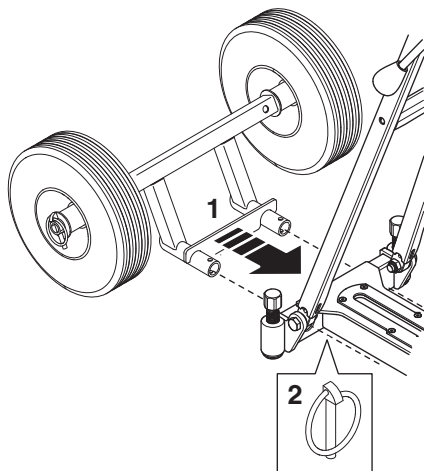
OPERATING

When drilling

NOTICE! Make sure the cable and/or water hose is not pinched between the guide wheel and the column.

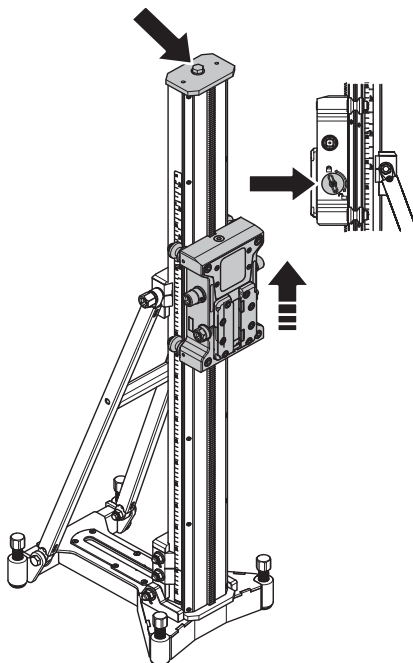
Transport wheels (accessory)

- Position the transport wheel bracket in the hole in the base plate.
- Secure the transport wheels with the clips.

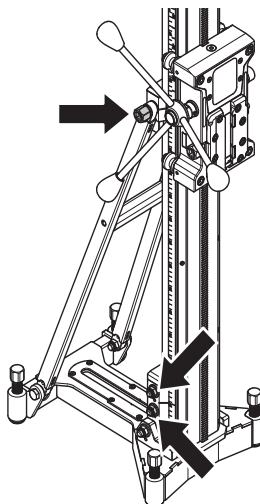


Change drill column (accessory)

- Loosen the top screw and remove the end stop.
- Unlock the feeder housing. Remove the feeder housing from the column.



- Loosen the locking screw for the locking clamp.



- Remove the drill column.
- Assemble the parts in the reverse order.

MAINTENANCE

Stand maintenance



WARNING! Inspection and/or maintenance should be carried out with the motor switched off and the plug disconnected.

The lifetime of your machine can be extended considerably if it is used, cared for and maintained in the proper manner.

Cleaning and lubrication



IMPORTANT! Remove the drill motor.

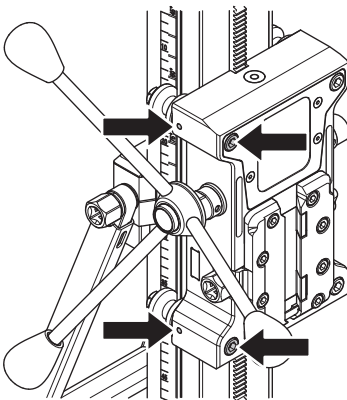
- It is important that the drill stand is kept clean for functionality to be maintained.
- Clean the stand using a high pressure washer and then wipe dry.
- Lubricate the moving parts on the stand. Apply grease to counteract corrosion on the contact surfaces.

Adjusting the guide wheels

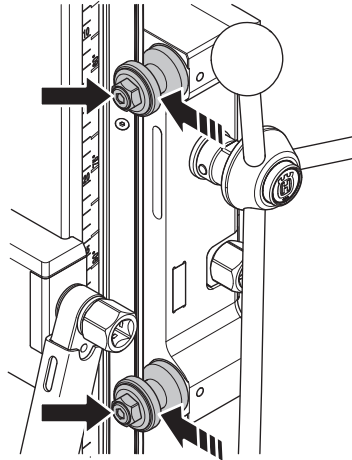
In order for the carriage to run stably and straight, the four guide wheels must rest against the rail and not have too much play.

The surfaces of the carriage guide wheels must be in contact with the V-shaped grooves in the drill column. If there is play between the column and the feed housing, the play must be adjusted.

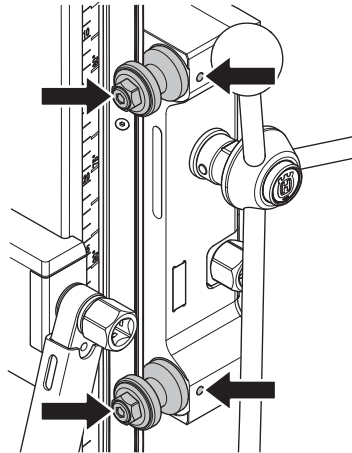
- Loosen the two hexagon screws. Also loosen the two stop screws which locks the two exentric guide wheels.



- Turn the shafts gently until the guide wheels rest against the rail.

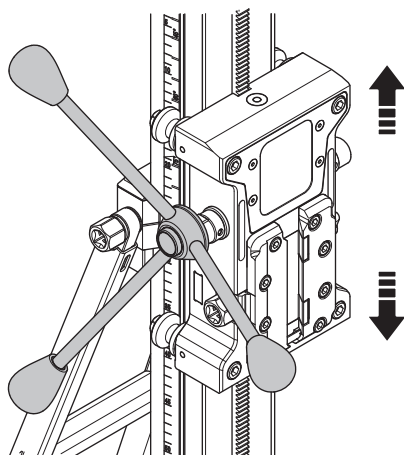


- Hold the shafts in position and tighten the two stop screws.

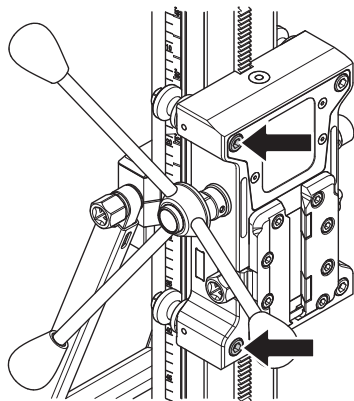


MAINTENANCE

- Use the feed handle to see if the feed housing moves smoothly on the column. If not, adjust the rollers again.



- Then tighten the two hexagon screws.



Repairs



IMPORTANT! All types of repairs may only be carried out by authorised repairmen. This is so that the operators are not exposed to great risks.

Daily maintenance

- 1 Check that nuts and screws are tight.
- 2 Clean the outside of the machine.
- 3 Check that the feed crank can be moved without resistance.
- 4 Check that the gearing moves easily and does not cause any noise.
- 5 Check for any wear or damage on the column.
- 6 Check that the feed housing can be moved easily and does not backlash against the stand column.
- 7 Make sure there is no other damage to the stand.

TECHNICAL DATA

Technical data

	DS900
Dimensions	
Height, mm/inches	1300 / 51,2
Width, mm/inches	300/11,8
Depth, mm/inches	448/17,6
Weight, kg/lb	24/53
Travel length, mm/inch	950/37,4
Max. drill diameter, mm/inches	
With spacer	900/35,4
Without spacer	500/19,7, (DM406)
Maximum load, kg/lb	150/330
The column's angling	0-60°

EC Declaration of Conformity

(Applies to Europe only)

Husqvarna AB, SE-561 82 Huskvarna, Sweden, tel: +46-36-146500, declares under sole responsibility that the stands **Husqvarna DS900** from 2014's serial numbers and onwards (the year is clearly stated in plain text on the type plate with subsequent serial number) are in conformity with the requirements of the COUNCIL'S DIRECTIVES:

- of May 17, 2006 "relating to machinery" **2006/42/EC**.

The following standards have been applied: SS-EN12348+A1:2009, EN 60745-1:2009

The supplied stand conforms to the example that underwent EC type examination. The stand must conform to applicable regulations, EU-requirements as well as national requirements.

Gothenburg August 13, 2014



Helena Grubb

Vice President, Construction Equipment Husqvarna AB

(Authorized representative for Husqvarna AB and responsible for technical documentation.)

ACLARACIÓN DE LOS SÍMBOLOS

Símbolos en la máquina

¡ATENCIÓN! La máquina, si se utiliza de forma errónea o descuidada, puede ser una herramienta peligrosa que puede causar daños graves e incluso la muerte al usuario y a otras personas.



Lea detenidamente el manual de instrucciones y asegúrese de entender su contenido antes de utilizar la máquina.



Los demás símbolos/etiquetas que aparecen en la máquina corresponden a requisitos de homologación específicos en determinados mercados.

Explicación de los niveles de advertencia

Las advertencias se clasifican en tres niveles.

¡ATENCIÓN!



¡ATENCIÓN! Indica un riesgo de daños graves para el usuario o incluso muerte, o bien daños al entorno, si no se siguen las instrucciones del manual.

¡NOTA!



¡NOTA! Indica un riesgo de lesiones para el usuario o daños al entorno si no se siguen las instrucciones del manual.

AVISO

AVISO Indica un riesgo de daños en los materiales o en la máquina si no se siguen las instrucciones del manual.

Índice

ACLARACIÓN DE LOS SÍMBOLOS

Símbolos en la máquina	15
Explicación de los niveles de advertencia	15

ÍNDICE

Índice	16
--------------	----

PRESENTACIÓN

Apreciado cliente:	17
Diseño y funciones	17
Soporte	17

¿QUÉ ES QUÉ?

Componentes del soporte	18
-------------------------------	----

EQUIPO DE SEGURIDAD DE LA MÁQUINA

Generalidades	19
Bloqueo de la caja de alimentación	19
Tope del riel	19

FUNCIONAMIENTO

Pasos previos al uso de un soporte nuevo	20
Equipo de protección	20
Instrucciones generales de seguridad	21
Advertencias generales de seguridad sobre el soporte de trabajo	21
Sujeción de la base	22
Montaje del motor de la perforadora	22
Ajuste de la inclinación de la columna	23
Antes de perforar	23
Bloque separador del motor de la perforadora	23
Diámetro de broca recomendado	23
Mientras taladra	24
Ruedas de transporte	24
Sustitución de la columna de perforación	24

MANTENIMIENTO

Mantenimiento del soporte	25
---------------------------------	----

DATOS TÉCNICOS

Datos técnicos	27
Declaración CE de conformidad	27

PRESENTACIÓN

Apreciado cliente:

Gracias por elegir un producto Husqvarna. Esperamos que su máquina le proporcione plena satisfacción y le sirva de ayuda por mucho tiempo en adelante. La adquisición de alguno de nuestros productos da acceso a asistencia profesional con reparaciones y servicio. Si la máquina no fue adquirida en un distribuidor oficial, preguntar en la tienda de compra la dirección del taller de servicio más cercano.

Este manual de instrucciones es un documento importante. Procure tenerlo siempre a mano en el lugar de trabajo. Siguiendo sus instrucciones (de uso, servicio, mantenimiento etcétera) puede alargar considerablemente la vida útil de la máquina e incrementar su valor de reventa. Si vende su máquina, entregue el manual de instrucciones al nuevo propietario.

Más de 300 años de innovación

La fundación de la empresa sueca Husqvarna AB data del año 1689, cuando el Rey Karl XI encargó la construcción de una fábrica para la fabricación de mosquetes. En ese momento se establecieron los cimientos de la experiencia tecnológica en la que se basan muchos de los productos punteros en el mundo en el sector de las armas de caza, bicicletas, motocicletas, electrodomésticos, máquinas de coser y productos para exteriores.

Husqvarna es líder internacional en productos motorizados para exteriores destinados a la silvicultura, el mantenimiento de parques y el cuidado del césped y del jardín, así como equipos de corte y herramientas de diamante para el sector de la construcción y la piedra.

Responsabilidad del propietario

El propietario / empresario es el responsable de asegurarse de que el usuario tiene los conocimientos necesarios para utilizar la máquina con seguridad. Los supervisores y los usuarios deben haber leído y entendido el manual de instrucciones. Deben tener conocimiento de lo siguiente:

- Las instrucciones de seguridad de la máquina.
- Las aplicaciones y las limitaciones de la máquina.
- El modo de uso y de mantenimiento de la máquina.

La utilización de esta máquina podría estar regulada por la legislación nacional vigente. Infórmese sobre la legislación vigente en el lugar donde trabaja antes de empezar a utilizar la máquina.

Los derechos que se reserva el fabricante.

Tras la publicación de este manual, Husqvarna podría publicar información adicional para el funcionamiento seguro de este producto. Es responsabilidad del propietario mantenerse informado de los métodos de funcionamiento más seguros.

Husqvarna AB trabaja constantemente para perfeccionar sus productos y se reserva, por lo tanto, el derecho a introducir modificaciones en la construcción y el diseño sin previo aviso.

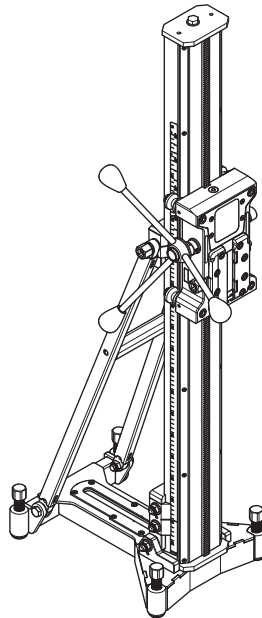
Para recibir información y atención como cliente, póngase en contacto con nosotros a través de nuestro sitio web: www.husqvarna.com

Diseño y funciones

El alto rendimiento, la fiabilidad, la tecnología innovadora, las soluciones técnicas avanzadas y el respeto medioambiental son los valores que caracterizan a los productos de Husqvarna. El usuario debe leer este manual detenidamente para garantizar un funcionamiento seguro del producto. Póngase en contacto con su concesionario o con Husqvarna si necesita más información.

A continuación se describen algunas de las características únicas de su producto.

Soporte DS900

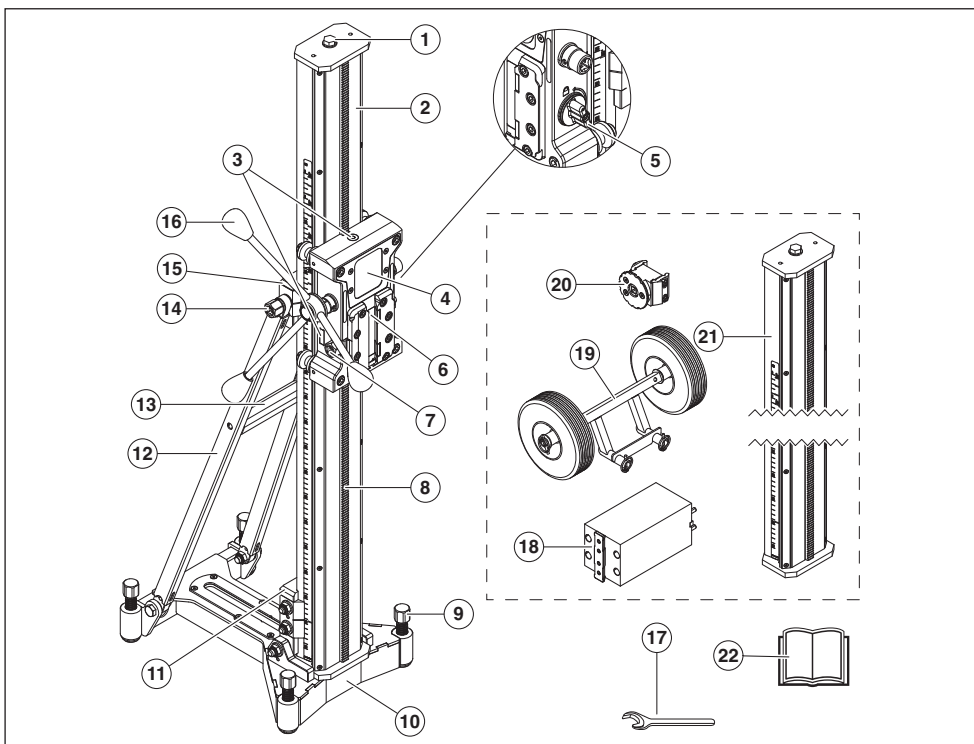


- La base sirve para utilizar el taladro en techos, paredes y suelos.
- El soporte de taladro es estable y puede gestionar dimensiones de taladrado grandes.
- La columna puede inclinarse de 0 a 60° y tiene un recorrido largo.
- La base del taladro está equipada con una placa de conexión rápida para el motor del taladro.
- La palanca de alimentación puede utilizarse para ajustar la inclinación de la columna y bloquear el montaje rápido.
- Es posible utilizar una columna de perforación de 2 metros de largo en este soporte.

Accesorios

- Ruedas de transporte
- Bloque separador del motor de la perforadora
- Soporte AD
- Columna de perforación, 2 m

¿QUÉ ES QUÉ?



Componentes del soporte

- | | |
|--|---|
| 1 Tornillo de compresión | 12 Estabilizador |
| 2 Columna de perforación | 13 Mango de transporte |
| 3 Indicador de nivel | 14 Tornillo de fijación, columna de perforación inclinada |
| 4 Caja de alimentación | 15 Abrazadera de sujeción, estabilizador/columna de perforación |
| 5 Bloqueo de la caja de alimentación | 16 Empuñadura de alimentador |
| 6 Abrazadera de sujeción, montaje rápido | 17 Llave de tuercas, NV 24 |
| 7 Tornillo de fijación, abrazadera de fijación | 18 Bloque separador del motor de la perforadora (accesorio) |
| 8 Cremallera | 19 Ruedas de transporte (accesorio) |
| 9 Tornillos de ajuste | 20 Soporte AD (accesorio) |
| 10 Placa base | 21 Columna de perforación, 2 m (accesorio) |
| 11 Abrazadera de sujeción, placa base/columna de perforación | 22 Manual de instrucciones |

EQUIPO DE SEGURIDAD DE LA MÁQUINA

Generalidades



Nunca utilice una máquina que tenga un equipo de seguridad defectuoso. Efectúe el control y mantenimiento del equipo de seguridad de la máquina como se describió en este capítulo. Si su máquina no pasa todos los controles, entréguela a un taller de servicio para su reparación.

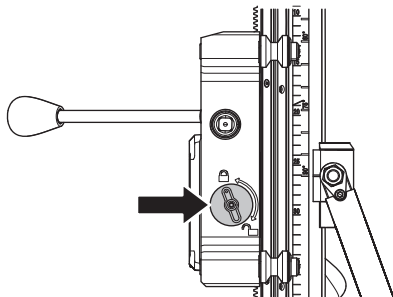
En este capítulo se describen los componentes de seguridad de la máquina, su función y el modo de efectuar el control y el mantenimiento para garantizar un funcionamiento óptimo.

Bloqueo de la caja de alimentación

El bloqueo del carro se usa, por ejemplo, cuando se cambia de broca o se monta el motor de la perforadora. El bloqueo está formado por una manija que fija el carro de la columna de perforación.

Inspección del bloqueo del carro

- Gire la manija para bloquearla.
- Compruebe manualmente que el carro esté fijado a la columna de perforación.

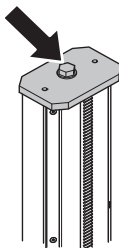


Tope del riel

El tope está para evitar que el carro se salga de los raíles.

Comprobación del tope

- Asegúrese de que el tope está en su lugar.



FUNCIONAMIENTO

Pasos previos al uso de un soporte nuevo

- Lea detenidamente el manual de instrucciones y asegúrese de entender su contenido antes de utilizar la máquina.
- Esta máquina está diseñada para y destinada a la perforación de hormigón, ladrillo y diferentes materiales pedregosos. Cualquier otra aplicación es errónea.
- La máquina está destinada al uso por operadores experimentados, en aplicaciones industriales.
- Mantener bien ordenado el lugar de trabajo. El desorden comporta riesgo de accidentes.
- Lea también el manual de instrucciones entregado junto con el motor de la perforadora y verifique que es compatible con este soporte.

Emplee siempre el sentido común

Es imposible abarcar todas las situaciones en las que puede encontrarse. Utilice siempre el equipo con cuidado y sentido común. Evite todas aquellas situaciones que considere que sobrepasan sus capacidades. Si, después de leer estas instrucciones, no está seguro del procedimiento que debe seguir, consulte a un experto antes de utilizar el equipo.

No dude en ponerse en contacto con su distribuidor si tiene preguntas acerca del uso de la máquina. Estaremos encantados de poder aconsejarle y ayudarle a utilizar la máquina de manera eficaz y segura.

Diríjase a su distribuidor de Husqvarna para que revise la máquina regularmente y para que realice ajustes y reparaciones básicas.

Toda la información y todos los datos contenidos en este manual de instrucciones son vigentes en la fecha de impresión del manual.



¡ATENCIÓN! No está permitido modificar el diseño original de la máquina, por ningún motivo, sin la autorización del fabricante. Utilice siempre accesorios originales. Las modificaciones y/o el uso de accesorios no autorizados comportan riesgo de daños personales graves y peligro de muerte para el usuario y otras personas.

Equipo de protección

Generalidades

No use nunca una máquina si no tiene posibilidad de pedir auxilio si se produce un accidente.

Equipo de protección personal

Para trabajar con la máquina debe utilizarse un equipo de protección personal homologado. El equipo de protección personal no elimina el riesgo de lesiones, pero reduce su efecto en caso de accidente. Pida a su distribuidor que le asesore en la elección del equipo.



¡ATENCIÓN! El uso de productos que cortan, pulen, taladran, alisan o forman materiales puede generar polvo y vapores que pueden contener sustancias químicas dañinas. Averiguar la composición del material con que se trabaja y usar una máscara respiratoria adecuada.



¡ATENCIÓN! La exposición prolongada al ruido puede causar daños crónicos en el oído. Por consiguiente, use siempre protectores auriculares homologados. Cuando use protección auditiva preste siempre atención a las señales o llamados de advertencia. Sáquese siempre la protección auditiva inmediatamente después de parar el motor.



¡ATENCIÓN! Existe siempre riesgo de accidentes por apriete al trabajar con aparatos con piezas móviles. Usar guantes protectores para evitar lesiones.

Utilice siempre:

- Casco protector
- Protectores auriculares
- Gafas protectoras o visor
- Máscara respiratoria
- Guantes resistentes de agarre seguro.
- Prendas de vestir ceñidas, resistentes y cómodas que permitan una libertad de movimientos total.
- Botas con puntera de acero y suela antideslizante.
- Tenga siempre a mano el equipo de primeros auxilios.

Tener en cuenta que las ropas, el pelo largo y las joyas pueden atascarse en piezas móviles.

FUNCIONAMIENTO

Instrucciones generales de seguridad



¡ATENCIÓN! Lea todas las advertencias e instrucciones de seguridad. Si se hace caso omiso de las advertencias e instrucciones pueden provocarse accidentes graves o incluso la muerte del operario o de terceros.

Seguridad en el área de trabajo

- **Mantenga el área de trabajo limpia y bien iluminada.** Las zonas abarrotadas de cosas u oscuras favorecen los accidentes.
- Las personas y los animales pueden distraer y hacer perder el control de la máquina. Por consiguiente, el operador debe estar siempre concentrado en su trabajo.
- No trabaje en condiciones atmosféricas desfavorables como niebla, lluvia intensa, tempestad, frío intenso, etc. Trabajar con mal tiempo es cansador y puede crear condiciones peligrosas, por ejemplo suelo resbaladizo.
- Antes de comenzar a trabajar con la máquina, controle siempre que el lugar esté libre y que los pies estén bien afirmados al terreno. Controle posibles obstáculos en caso de movimientos repentinos. Asegúrese de que no haya elementos que puedan caer y provocar daños al trabajar con la máquina.
- Controle siempre la parte posterior de la superficie en la que sale la broca al penetrar. Impedir el acceso cercando la zona de trabajo y procurar que no haya riesgo de daños personales o materiales.

Seguridad personal



¡ATENCIÓN! Existe siempre riesgo de accidentes por apriete al trabajar con aparatos con piezas móviles. Use siempre guantes protectores.

- Utilice el equipo de protección personal. Vea las instrucciones bajo el título "Equipo de protección personal".
- Nunca utilice la máquina si está cansado, si ha ingerido alcohol o si toma medicamentos que puedan afectarle la vista, su capacidad de discernimiento o el control del cuerpo.
- Nunca deje que terceros utilicen la máquina sin asegurarse primero de que hayan entendido el contenido de este manual de instrucciones.
- Tener en cuenta que las ropas, el pelo largo y las joyas pueden atascarse en piezas móviles.
- Un operador nunca debe trabajar solo; siempre debe haber otra(s) persona(s) cerca. Así, además de tener ayuda para montar la máquina, también puede recibirse asistencia en caso de accidente.

Uso y cuidado

- No utilice nunca una máquina defectuosa. Lleve a cabo las comprobaciones de seguridad y siga las instrucciones de mantenimiento y servicio de este manual. Algunas medidas de mantenimiento y servicio deben ser efectuadas por especialistas formados y cualificados. Consulte las instrucciones del apartado Mantenimiento.
- No utilice nunca una máquina que haya sido modificada de modo que ya no coincida con la configuración original.
- Mantener todas las piezas en perfecto estado y comprobar que todos los elementos de fijación estén bien apretados.

Transporte y almacenamiento

- Guarde el equipo en un lugar seguro fuera del alcance de los niños y las personas no autorizadas.
- Guardar la taladradora y el soporte en un lugar seco y con temperatura sobre cero.

Advertencias generales de seguridad sobre el soporte de trabajo



¡ATENCIÓN! Lea todas las advertencias e instrucciones de seguridad. No atender a estas advertencias e instrucciones puede provocar descargas eléctricas, incendios y lesiones graves.

AVISO Conserve todas las advertencias e instrucciones para su consulta.

- **Desconecte el enchufe de la fuente de alimentación y / o la batería de la herramienta eléctrica antes de realizar cualquier ajuste o cambiar accesorios** Un arranque accidental de la herramienta eléctrica puede ser causa de accidentes.
- **Monte el soporte de trabajo antes que la herramienta.** Un montaje adecuado es importante para evitar riesgos de hundimiento.
- **Fije de manera segura la herramienta eléctrica al soporte de trabajo antes de su uso.** Realice el cambio de herramienta eléctrica en el soporte con sumo cuidado.
- **Coloque el soporte en una superficie resistente, plana y nivelada.** Cuando el soporte de trabajo se mueve o balancea, la herramienta eléctrica o de trabajo no puede manejarse de manera segura y controlada.
- **No sobrecargue el soporte de trabajo ni lo utilice como escalera o andamio.** Sobrecargar o subirse al soporte de trabajo puede suponer una carga excesiva para el dispositivo y es probable que no resista el peso.

Este soporte está destinado para su uso con máquinas DM de Husqvarna. Utilice únicamente herramientas eléctricas diseñadas para este soporte.

FUNCIONAMIENTO

Sujeción de la base

Hay dos maneras de fijar la base.

- Sujetarla con un extensor o un anclaje
- Sujetarla con una varilla roscada, una arandela y una tuerca de seguridad

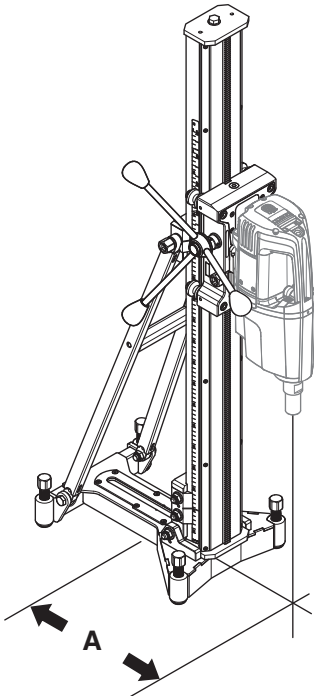
Sujetarla con un extensor o un anclaje



¡IMPORTANTE! Cuando se trabaje con el taladro en un tejado o pared, debe utilizarse únicamente un extensor o anclaje adecuados para superficies expuestas a la fuerza de tracción.

Utilice únicamente un extensor o anclaje adecuado para la aplicación actual.

- Taladre un orificio para el extensor/anclaje a una distancia (A), 400 mm (15,7") del centro del orificio (la medida se aplica para su uso con el DM 650 sin espaciador).



- Atornille la placa base. Comprobar cuidadosamente que el expansor está bien fijado.
- La placa base puede ajustarse a la superficie con los tornillos de ajuste.

AVISO Es una buena idea usar la parte delantera del recorrido (la más cercana a la columna).

Sujetarla con una varilla roscada, una arandela y una tuerca de seguridad

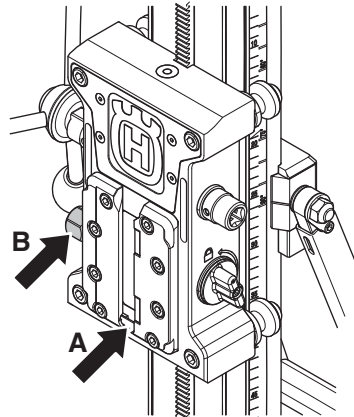
Si la superficie de montaje no es adecuada para utilizar el taladro en techos o paredes, la placa base puede sujetarse mediante una varilla roscada, que se montará en la parte posterior con una arandela y una contratuerca.

Montaje del motor de la perforadora



¡IMPORTANTE! Desenchufe siempre el enchufe antes de efectuar trabajos de limpieza, mantenimiento o montaje de la máquina.

- Retire siempre la broca antes de montar o desmontar el motor.
- Cierre el bloqueo de la caja de alimentación.
- Coloque la perforadora en el surco de la abrazadera de fijación. Asegúrese de presionar la perforadora hasta la parte inferior (A) del surco de la abrazadera de fijación. Sujete la abrazadera de fijación con el tornillo de fijación (B).



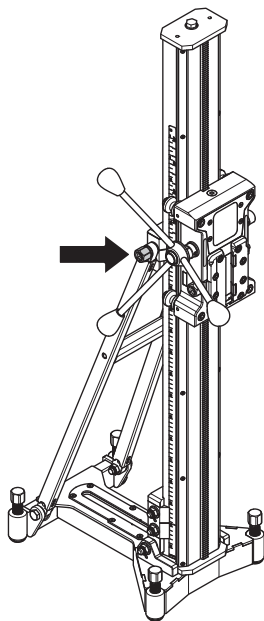
- Monte la placa del adaptador en el motor de la perforadora si es necesario. No se utiliza con los motores de las perforadoras de Husqvarna.

FUNCIONAMIENTO

Ajuste de la inclinación de la columna

La columna de perforación se puede inclinar; el intervalo recomendado en uso es de 0 a 60°.

- Afloje el tornillo de fijación de inclinación de la columna y ajuste el ángulo de inclinación deseado del taladro. Apriete el tornillo de fijación.
- El indicador de ángulo permite un ajuste aproximado. Si necesita una mayor precisión, deberá utilizar métodos de medición alternativos.



Antes de perforar



¡ATENCIÓN! Antes iniciar la perforación, comprobar que todos los tornillos de fijación están bien apretados.

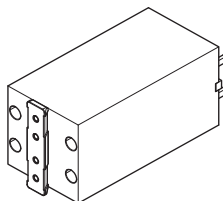
Hay riesgo de accidentes graves si el núcleo de perforación de hormigón permanece en la broca al sacar el motor de taladradora / la broca del suelo, la pared o el techo.



¡ATENCIÓN! Cuando taladre en techos, utilice siempre un colector de agua homologado para el motor de la perforadora o use un motor de perforadora hidráulica. Existe el riesgo de que el taladro y la base se carguen con electricidad si la máquina gotea.

Bloque separador del motor de la perforadora (accesorio)

Para perforar diámetros grandes se utiliza un separador. Hay varias versiones diferentes.



- Monte el separador en el motor de la perforadora
- A continuación, monte el motor de la perforadora con el espaciador en el soporte, consulte el apartado 'Montaje del motor de la perforadora'.

Diámetro de broca recomendado

Diámetro máximo de perforación, mm/
pulgadas

Motor de taladradora	Bloque separador, mm/pulgadas			
	0	50/2	2x 50/2	200/7,9
DM406	500/19,7	600/23,6	700/27,6	900/35,4
DM650	400/15,7	500/19,7	600/23,6	800/31,5
DM280/340	370/14,6	470/18,5	570/22,4	670/26,4

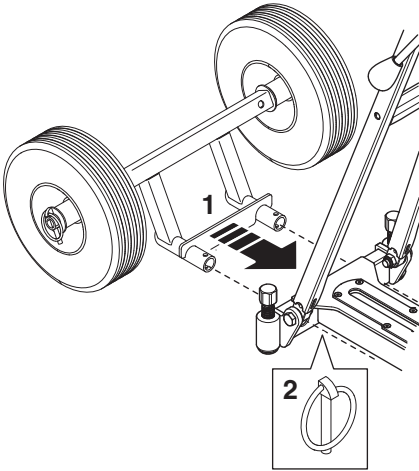
FUNCIONAMIENTO

Mientras taladra

AVISO Asegúrese de que el cable y/o manguera de agua no queda aprisionado entre la rueda guía y la columna.

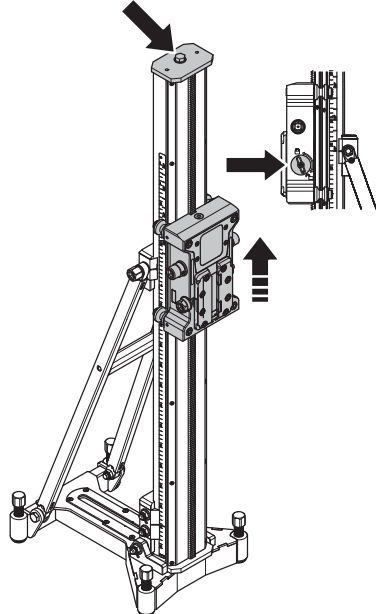
Ruedas de transporte (accesorio)

- Coloque el soporte de las ruedas de transporte en el orificio de la placa base.
- Fije las ruedas de transporte con los clips.

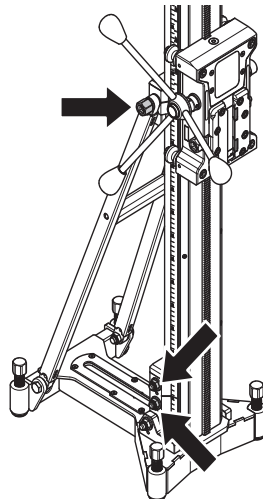


Sustitución de la columna de perforación (accesorio)

- Afloje el tornillo superior y retire el tope.
- Desbloquee la caja de alimentación. Retire la caja de alimentación de la columna.



- Afloje el tornillo de fijación para la abrazadera de fijación.



- Retire la columna de perforación.
- El montaje se hace en orden inverso al desmontaje.

MANTENIMIENTO

Mantenimiento del soporte



¡ATENCIÓN! El control y/o mantenimiento de la máquina debe hacerse con el motor parado y el enchufe desenchufado.

La vida útil de la máquina se alarga considerablemente si se utiliza, cuida y mantiene correctamente.

Limpeza y lubricación



¡IMPORTANTE! Desmontar el motor de taladradora.

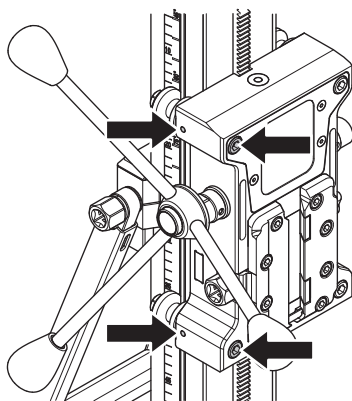
- Para obtener un funcionamiento óptimo es muy importante mantener el soporte limpio y en orden.
- Se recomienda limpiar el soporte con lavado a alta presión y secarlo.
- Aceitar todas las piezas móviles del soporte. Usar grasa para prevenir la corrosión de las superficies de contacto.

Ajuste de las ruedas de guía

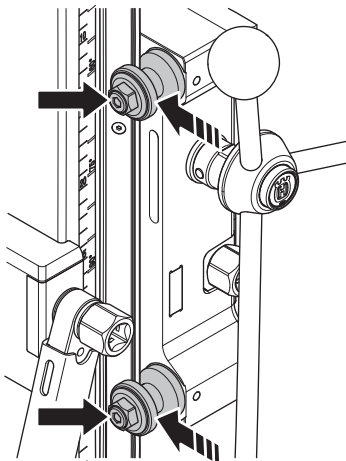
Para que el carro se desplace de manera estable y en línea recta, las cuatro ruedas guía debe descansar sobre el rail y no deben tener un juego excesivo.

Las superficies de las ruedas guía del carro debe estar en contacto con las ranuras en V de la columna de perforación. Si queda un espacio entre la columna y la caja de alimentación, deberá ajustar la caja.

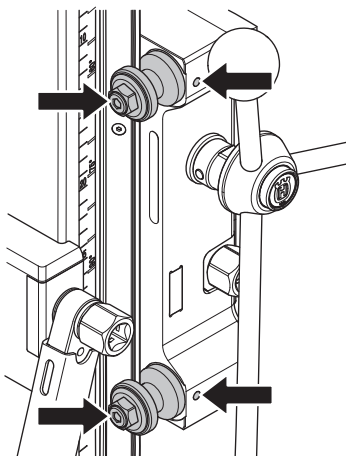
- Afloje los dos tornillos hexagonales. Afloje también los dos tornillos de tope que fijan las ruedas guía excéntricas.



- Gire levemente los ejes hasta que las ruedas guía reposen sobre el rail.

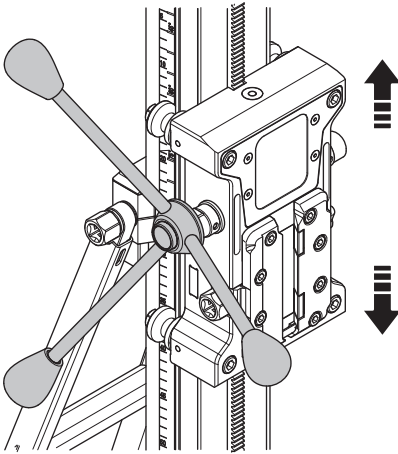


- Sujete los ejes en posición y apriete los dos tornillos de tope.

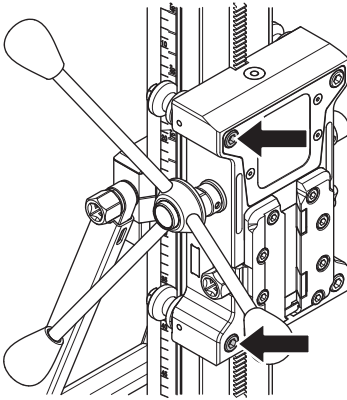


MANTENIMIENTO

- Utilice la palanca de la caja de alimentación para comprobar si esta se mueve suavemente por la columna. Si no es así, vuelva a ajustar los rodillos.



- A continuación, apriete los dos tornillos hexagonales.



Reparaciones



¡IMPORTANTE! Las reparaciones de todo tipo deben ser efectuadas por técnicos autorizados, únicamente. De este modo se evita someter a los operadores a grandes riesgos.

Mantenimiento diario

- 1 Compruebe que los tornillos y las tuercas estén apretados.
- 2 Limpie la parte exterior de la máquina.
- 3 Compruebe que el cigüeñal de la caja de alimentación se mueve sin ofrecer resistencia.
- 4 Compruebe que los engranajes se mueven fácilmente y sin hacer ruido.
- 5 Compruebe que la columna no está dañada ni gastada.
- 6 Compruebe que la caja de alimentación se mueve fácilmente y no rebota en la columna de la base.
- 7 Asegúrese de que no haya otros daños en el soporte.

DATOS TECNICOS

Datos técnicos

	DS900
Dimensiones	
Altura, mm/pulgadas	1300 / 51,2
Anchura, mm/pulgadas	300/11,8
Profundidad, mm / in	448/17,6
Peso, kg / lb	24/53
Carrera, mm/pulgadas	950/37,4
Diámetro máximo de perforación, mm/pulgadas	
Con separador	900/35,4
Sin separador	500/19,7, (DM406)
Carga máxima, kg/lb	150/330
Inclinación de la columna	0-60°

Declaración CE de conformidad

(Rige sólo para Europa)

Husqvarna AB, SE-561 82 Huskvarna, Sweden, teléfono +46-36-146500, declara bajo su exclusiva responsabilidad que los soportes **Husqvarna DS900**, a partir de los números de serie del año 2014 (el año se indica claramente en texto plano en la placa de modelo, junto con el número de serie), cumple con las disposiciones de las Directivas del Consejo:

- **2006/42/CE** «relativa a máquinas» del 17 de mayo de 2006.

Se han aplicado las siguientes normas: SS-EN12348+A1:2009, EN 60745-1:2009

El soporte entregado es igual que el ejemplo sometido a examen para valorar el cumplimiento de las Directivas. El soporte debe cumplir con la normativa pertinente, tanto europea como nacional.

Gotemburgo 13 agosto, 2014



Helena Grubb

Vicepresidente, maquinaria para la construcción Husqvarna AB

(Presentante autorizado de Husqvarna AB y responsable de la documentación técnica.)

EXPLICAÇÃO DOS SÍMBOLOS

Símbolos na máquina

ATENÇÃO! A máquina, se for usada de forma indevida ou incorrecta, pode ser perigosa, causando sérios ferimentos ou mesmo a morte do utente ou outras pessoas.



Leia as instruções para o uso com toda a atenção e compreenda o seu conteúdo antes de fazer uso da máquina.



Os restantes símbolos e autocolantes existentes na máquina dizem respeito a exigências específicas para homologação em alguns países.

Explicação dos níveis de advertência

As advertências são classificadas em três níveis.

ATENÇÃO!



ATENÇÃO! Utilizado no caso de existir risco de ferimento grave ou morte para o operador ou de danos nas zonas envolventes, se não forem seguidas as instruções do manual.

CUIDADO!



CUIDADO! Utilizado no caso de existir risco de ferimento para o operador ou de danos nas proximidades, se não forem seguidas as instruções do manual.

ATENÇÃO!

ATENÇÃO! Utilizado se existir risco de danos para os materiais ou para a máquina, se não forem seguidas as instruções do manual.

Índice

EXPLICAÇÃO DOS SÍMBOLOS

Símbolos na máquina	28
Explicação dos níveis de advertência	28

ÍNDICE

Índice	29
--------------	----

APRESENTAÇÃO

Prezado cliente!	30
Design e características	30
Suporte	30

COMO SE CHAMA?

Como se chama no suporte?	31
---------------------------------	----

EQUIPAMENTO DE SEGURANÇA DA MÁQUINA

Noções gerais	32
Fecho da caixa de alimentação	32
Bloqueio final no carril	32

OPERAÇÃO

Passos a tomar antes de utilizar uma nova base .	33
Equipamento de protecção	33
Instruções gerais de segurança	34
Avisos gerais de segurança do suporte de trabalho	34
Fixe o suporte	35
Montagem do motor de perfuração	35
Regule a inclinação da coluna	36
Antes de perfurar	36
Bloco espaçador do motor da broca	36
Diâmetro da broca recomendado	36
Durante a realização de perfurações	37
Rodas de transporte	37
Trocar a coluna de perfuração	37

MANUTENÇÃO

Manutenção do suporte	38
-----------------------------	----

ESPECIFICAÇÕES TÉCNICAS

Especificações técnicas	40
Certificado CE de conformidade	40

APRESENTAÇÃO

Prezado cliente!

Muito obrigado por escolher um produto Husqvarna! Esperamos que ficará satisfeito com a sua nova máquina e que ela o acompanhará durante muito tempo. A compra de qualquer dos nossos produtos dá-lhe acesso a ajuda profissional, incluindo reparações e assistência técnica. Se não tiver adquirido a sua máquina num dos nossos revendedores autorizados, pergunte onde fica a oficina especializada mais próxima.

Este manual tem um grande valor. Certifique-se de que este manual se encontra sempre à mão no local de trabalho. Seguindo o seu conteúdo (utilização, assistência técnica, manutenção, etc) aumentará consideravelmente a vida útil da máquina bem como o preço de venda em segunda mão da mesma. Se vender a sua máquina, entregue as instruções de utilização ao novo proprietário.

Mais de 300 anos de inovação

A Husqvarna, empresa baseada na Suécia, tem como base uma tradição que remonta a 1689, quando o rei sueco Karl XI mandou construir uma fábrica para fabricar mosquetes. Na época, estabeleceram-se as fundações para o desenvolvimento de capacidades relacionadas com a engenharia que se encontra por detrás de alguns dos produtos mais conhecidos do mundo, tais como armas de caça, bicicletas, motociclos, aparelhos domésticos, máquinas de costura e ferramentas para uso em exteriores.

A Husqvarna é a líder global em ferramentas motorizadas para uso em exteriores, tais como em silvicultura, manutenção de jardins e parques, cuidados da relva, bem como na área do equipamento de corte e ferramentas de diamante para a construção e a indústria de extracção e transformação de pedra.

Responsabilidade do proprietário

É da responsabilidade do proprietário/entidade empregadora que o operador tenha conhecimento suficiente sobre como utilizar a máquina em segurança. Os supervisores e os operadores devem ter lido e compreendido o Manual do Operador. Devem conhecer:

- As instruções de segurança da máquina.
- As diversas aplicações da máquina e as suas limitações.
- O modo como a máquina deve ser utilizada e mantida.

A legislação nacional poderá regular a utilização desta máquina. Informe-se da legislação aplicável no seu local de trabalho antes de utilizar esta máquina.

Ressalvas do fabricante

No seguimento da publicação deste manual, a Husqvarna poderá emitir informações adicionais para garantir uma operação segura deste produto. O proprietário tem o dever de se manter actualizado quanto aos métodos de operação mais seguros.

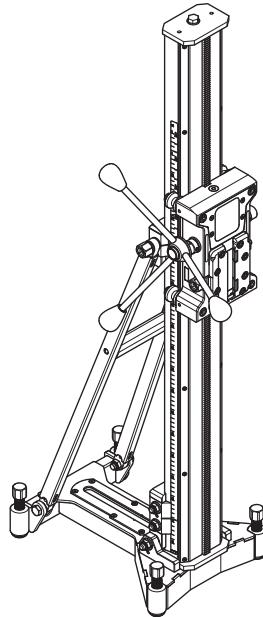
Husqvarna AB efectua o desenvolvimento contínuo dos seus produtos, reservando-se o direito de introduzir modificações referentes, entre outros, ao aspecto e forma dos mesmos sem aviso prévio.

Para obter informação e assistência, contacte-nos através do nosso website: www.usa.husqvarna.com

Design e características

Os nossos valores, tais como a elevada performance, fiabilidade, tecnologia inovadora, soluções técnicas avançadas e o cuidado do ambiente, distinguem os produtos Husqvarna. Para garantir uma operação segura deste produto, o operador deverá ler atentamente este manual. Consulte o seu concessionário ou contacte a Husqvarna, caso necessite de informações adicionais. Algumas das características únicas dos nossos produtos encontram-se descritas em baixo.

Suporte DS900

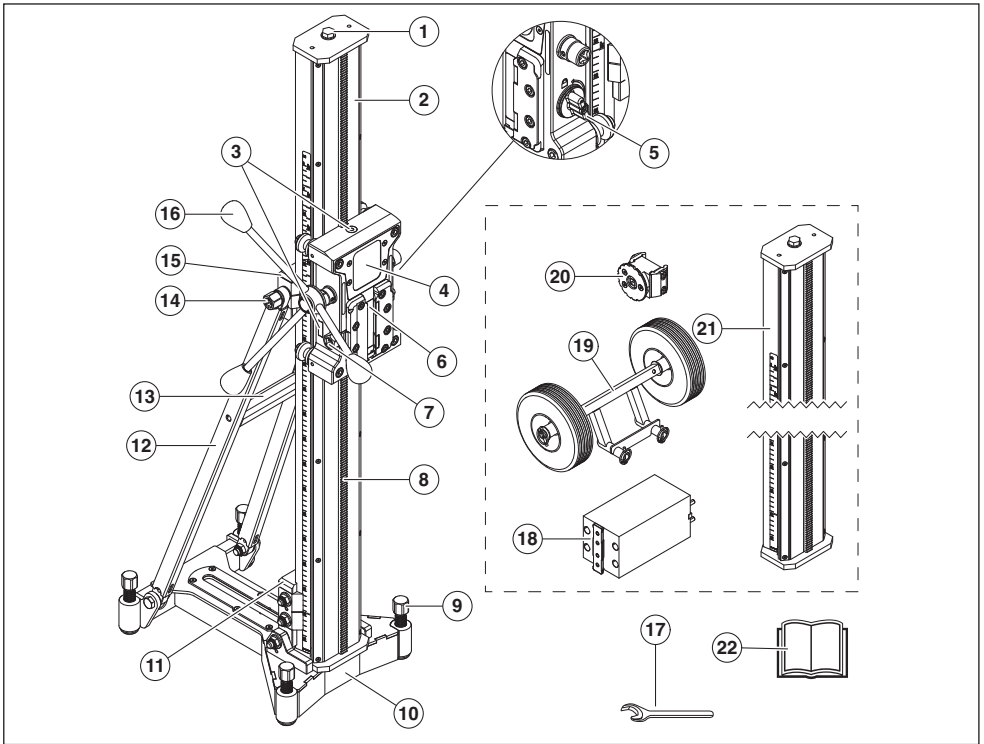


- O suporte destina-se a perfurações em tectos, paredes e pavimentos.
- O suporte de perfuração é estável e tem capacidade para brocas de grandes dimensões.
- A inclinação da coluna pode ser ajustada entre 0-60° e apresenta um longo comprimento de alimentação.
- O suporte do perfurador vem equipado com uma placa de montagem rápida para o motor do perfurador.
- A alavanca de alimentação pode ser utilizada para ajustar a inclinação da coluna e bloquear a montagem rápida.
- Este suporte de perfuração permite a utilização de uma coluna de 2 metros de comprimento.

Acessórios

- Rodas de transporte
- Bloco espaçador do motor da broca
- Suporte AD
- Coluna de perfuração, 2 m

COMO SE CHAMA?



Como se chama no suporte?

- | | |
|---|--|
| 1 Parafuso de engate | 12 Estabilizador |
| 2 Coluna de perfuração | 13 Punho de transporte |
| 3 Indicador de alavanca | 14 Parafuso de fixação, coluna de perfuração angular |
| 4 Caixa de alimentação | 15 Grampo de fixação, estabilizador/coluna da broca |
| 5 Fecho da caixa de alimentação | 16 Manipulo de avanço |
| 6 Grampo de fixação, de montagem rápida | 17 Chave de bocas, NV 24 |
| 7 Parafuso de fixação, cavilhão de fixação | 18 Bloco espaçador do motor da broca (acessório) |
| 8 Cremalheira | 19 Rodas de transporte (acessório) |
| 9 Parafusos de regulação | 20 Suporte AD (acessório) |
| 10 Placa de base | 21 Coluna de perfuração, 2 m (acessório) |
| 11 Grampo de fixação, placa de base/coluna da broca | 22 Instruções para o uso |

EQUIPAMENTO DE SEGURANÇA DA MÁQUINA

Noções gerais



Nunca use uma máquina com equipamento de segurança defeituoso. O equipamento de segurança da máquina deverá ser controlado e a sua manutenção feita conforme se descreve nesta secção. Se a sua máquina não satisfizer a algum desses controlos, deverá ser enviada a uma oficina autorizada para reparação.

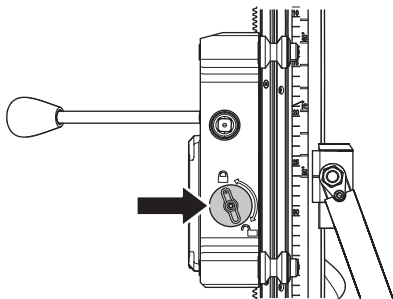
Nesta secção esclarecem-se quais são as peças de segurança da máquina, que função desempenham e ainda como efectuar o controlo e a manutenção para se certificar da sua operacionalidade.

Fecho da caixa de alimentação

O bloqueio do dispositivo de transporte é utilizado, por exemplo, durante os trabalhos de substituição da broca e de montagem do motor da broca. O bloqueio consiste num manípulo que bloqueia a carruagem da coluna da broca.

Inspecção do bloqueio de carruagem

- Rode o manípulo para o trancar.
- Verifique com a mão que a carruagem está bloqueada para a coluna da broca.

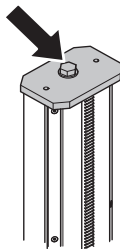


Bloqueio final no carril

O batente final evita a saída do dispositivo de transporte das calhas.

Verificar o batente final

- Certifique-se de que o batente final está no devido lugar.



OPERAÇÃO

Passos a tomar antes de utilizar uma nova base

- Leia as instruções para o uso com toda a atenção e compreenda o seu conteúdo antes de fazer uso da máquina.
- Esta máquina foi projectado para perfuração em betão, tijolo e diferentes tipos de agregados. Qualquer outra utilização é proibida.
- A máquina destina-se a ser usada por operadores experientes em aplicações industriais.
- Mantenha o local de trabalho ordenado. A desordem pode dar azo a acidentes.
- Leia também as instruções de utilização incluídas no motor da perfuradora e verifique que a sua performance é compatível com a base.

Use sempre o seu bom senso

Não é possível cobrir todas as situações possíveis que poderá enfrentar. Actue sempre com precaução e use de senso comum. Evite todas as situações que considere estarem para além das suas capacidades. Caso se sinta inseguro acerca dos procedimentos de operação depois de ler estas instruções, consulte um perito antes de prosseguir.

Não hesite em contactar o seu fornecedor, caso tenha quaisquer questões sobre a utilização desta máquina. Teremos todo o prazer em apoiá-lo e aconselhá-lo, bem como em ajudá-lo a utilizar a sua máquina de forma eficaz e segura.

Permita ao seu revendedor Husqvarna que verifique a sua máquina com regularidade e faça os ajustamentos e as reparações necessários.

Toda a informação e dados contidos nestas instruções para o uso eram válidos na data em que as instruções para o uso foram entregues para serem impressas.



ATENÇÃO! Em caso algum deverá a configuração original da máquina ser alterada sem autorização do fabricante. Use sempre acessórios genuínos. Modificações e/ou acessórios não autorizados podem provocar sérias lesões ou perigo de vida para o utilizador ou outros.

Equipamento de protecção

Noções gerais

Nunca use uma máquina sem que possa pedir ajuda em caso de acidente.

Equipamento de protecção pessoal

Em quaisquer circunstâncias de utilização da máquina deve ser utilizado equipamento de protecção pessoal aprovado. O equipamento de protecção pessoal não elimina o risco de lesão mas reduz os seus efeitos em caso de acidente. Consulte o seu concessionário na escolha do equipamento.



ATENÇÃO! A utilização de produtos de corte, esmerilhamento, perfuração, polimento ou configuração de material, podem criar poeiras e vapores contendo químicos prejudiciais para a saúde. Informe-se sobre a composição do material com que trabalha e use uma máscara respiratória adequada.



ATENÇÃO! A exposição prolongada a ruídos pode provocar danos auditivos permanentes. Por isso, use sempre protectores acústicos aprovados. Esteja sempre atento a sinais de alarme ou avisos de viva voz quando usar protectores acústicos. Retire os protectores acústicos logo que o motor tenha parado.



ATENÇÃO! Ao trabalhar com produtos com peças móveis, há sempre o risco de esmagamento. Use luvas de trabalho para evitar ferimentos.

Use sempre:

- Capacete de protecção
- Protectores acústicos
- Óculos ou viseira de protecção
- Máscara respiratória
- Luvas fortes e de agarre seguro.
- Vestuário justo, forte e confortável que permita total liberdade de movimentos.
- Botas com biqueiras de aço e solas antideslizantes.
- Os primeiros socorros devem sempre estar à mão.

Tenha cuidado com peças de vestuário, cabelos compridos e adornos, dado que podem prender-se em componentes móveis.

OPERAÇÃO

Instruções gerais de segurança



ATENÇÃO! Leia todos os avisos de segurança e todas as instruções. O desrespeito pelas advertências e instruções pode acarretar em sérias lesões ou perigo de vida para o usuário ou outros.

Segurança no local de trabalho

- **Mantenha a área de trabalho limpa e bem iluminada.** Áreas desarrumadas ou escuras convidam ao acidente.
- Pessoas e animais podem distraí-lo de forma a perder o controlo sobre a máquina. Por isso, esteja sempre concentrado e atento à sua tarefa.
- Evite o uso em condições meteorológicas desfavoráveis. Por exemplo, em denso nevoeiro, chuva e vento fortes, frio intenso, etc. Trabalhar com mau tempo é cansativo e pode levar a situações perigosas, tais como ir para terreno escorregadio.
- Nunca inicie o trabalho com a máquina antes de certificar-se que o local de trabalho está desimpedido e que tenha um apoio seguro para os seus pés. Observe se há eventuais obstáculos caso necessite de deslocar-se inesperadamente. Assegure-se que não possa cair nenhum material, causando danos, enquanto estiver a trabalhar com a máquina.
- Inspeccione sempre o lado contrário da superfície aonde o trépano vai sair ao efectuar a perfuração. Vede e impeça o acesso à zona de trabalho e certifique-se de que não possam ocorrer acidentes pessoais nem danos materiais.

Segurança pessoal



ATENÇÃO! Ao trabalhar com produtos com peças móveis, há sempre o risco de esmagamento. Use sempre luvas de protecção.

- Use equipamento de protecção pessoal. Ver as instruções na secção "Equipamento de protecção pessoal".
- Nunca use a máquina se estiver cansado, se bebeu álcool ou se toma remédios que podem influir na sua visão, discernimento ou controlo sobre o corpo.
- Nunca permita que outra pessoa utilize a máquina sem estar certo de que a mesma entendeu o conteúdo do manual de instruções.
- Tenha cuidado com peças de vestuário, cabelos compridos e adornos, dado que podem prender-se em componentes móveis.
- Nunca trabalhe sozinho; trate sempre de ter alguém perto. Além de poder ter ajuda para montar a máquina, poderá ser socorrido na ocorrência de um acidente.

Utilização e manutenção

- Nunca use uma máquina defeituosa. Efectue as verificações de segurança e cumpra as instruções de manutenção e assistência técnica contidas neste manual. Alguns serviços de manutenção e de assistência técnica deverão ser executados por especialistas qualificados. Consulte as instruções na secção Manutenção.
- Nunca use uma máquina que foi modificada a ponto de não mais corresponder à construção original.
- Mantenha todas as peças em bom estado de funcionamento e certifique-se de que todos os elementos de fixação estão bem apertados.

Transporte e armazenagem

- Armazene o equipamento numa área que seja possível de trancar, de modo a mantê-lo fora do alcance de crianças e pessoas não autorizadas.
- Guarde a perfuradora e o suporte em sítio seco e protegido da geada.

Avisos gerais de segurança do suporte de trabalho



ATENÇÃO! Leia todos os avisos de segurança e todas as instruções. A inobservância dos avisos e instruções pode resultar em choques eléctricos, incêndio e/ou lesões graves.

ATENÇÃO! Guarde todos os avisos e instruções para referência futura.

- **Desligue a ferramenta eléctrica da fonte de alimentação eléctrica e/ou de baterias antes de fazer qualquer ajuste, mudar acessórios** O arranque accidental da ferramenta eléctrica pode provocar acidentes..
- **Monte correctamente o suporte de trabalho antes de montar a ferramenta.** A montagem correcta é importante para evitar o risco de colapso.
- **Prenda firmemente a ferramenta eléctrica ao suporte de trabalho antes de a usar.** O deslocamento da ferramenta eléctrica no suporte de trabalho pode provocar perda de controlo.
- **Coloque o suporte de trabalho numa superfície sólida, plana e horizontal.** Se for possível mover ou balançar o suporte de trabalho, não será possível controlar de forma estável e segura a ferramenta eléctrica ou a peça.
- **Não sobrecarregue ou utilize o suporte de trabalho como escada ou andaime.** Ao sobrecarregar ou apoiar-se no suporte de trabalho pode fazer com que este se desequilibre e tombe.

Este suporte foi concebido para as máquinas DM da Husqvarna. Utilize apenas ferramentas eléctricas concebidas para este suporte.

OPERAÇÃO

Fixe o suporte

Existem dois métodos de fixação do suporte.

- Fixação com expansor e âncora
- Fixação com pino roscado, arruela e porca de fixação

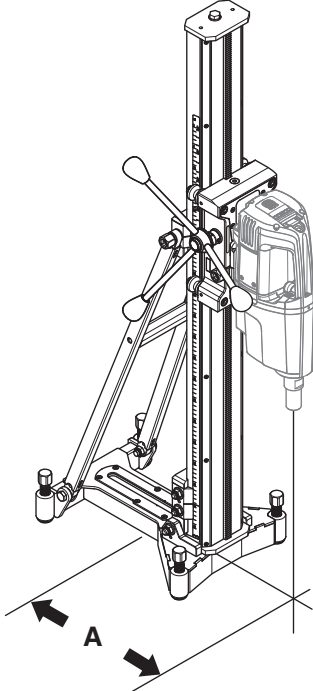
Fixação com expansor e âncora



IMPORTANTE! Ao perfurar em tectos e paredes, deve utilizar apenas o expansor ou âncora adequados a superfícies expostas a forças tensoras.

Utilize apenas o expansor ou a âncora aprovados para a aplicação corrente.

- Efectue um orifício para o expansor/âncora a uma distância (A) de 400 mm (15,7') em relação ao centro do orifício. (A medição aplica-se à utilização em conjunto com a DM 650 sem espaçador.)



- Aparafuse a placa de base. Verifique minuciosamente se o expansor está correctamente fixo.
- A placa de base pode ser ajustada à superfície com os parafusos de ajuste.

ATENÇÃO! Aconselha-se a utilização da parte dianteira da calha (o mais próximo possível da coluna).

Fixação com pino roscado, arruela e porca de fixação

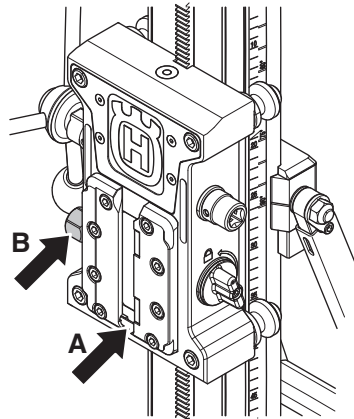
Se a superfície de montagem for desadequada para perfurações em tectos ou paredes, a placa de base pode ser fixada com um pino roscado, montado na parte de trás com uma arruela e uma porca de fixação.

Montagem do motor de perfuração



IMPORTANTE! Retire sempre a ficha da tomada de corrente antes de efectuar trabalhos de limpeza, manutenção ou montagem.

- Retire sempre a broca antes de montar ou desmontar o motor.
- Bloqueie o fecho da caixa de avanço.
- Ajuste a máquina de perfuração na calha no cavilhão de fixação. Assegure-se de que a máquina de perfuração é empurrada até ao fundo (A) do carril no cavilhão de fixação. Aperte o cavilhão de fixação com o parafuso de fixação (B).



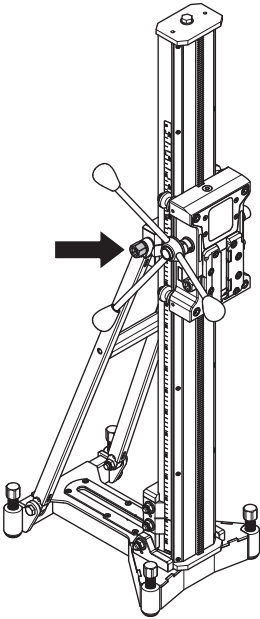
- Se necessário, monte a placa adaptadora no motor da broca. Não utilizado nos motores de broca Husqvarna.

OPERAÇÃO

Regule a inclinação da coluna

A inclinação da coluna pode ser ajustada, situando-se o intervalo recomendado em utilização entre 0-60°.

- Desaperte o parafuso de fixação de inclinação da coluna e defina o ângulo pretendido da broca. Aperte o parafuso de fixação.
- O indicador do ângulo pode ser utilizado para um ajuste aproximado. Se for necessária mais precisão, deve utilizar outros métodos de medição.



Antes de perfurar



ATENÇÃO! Antes de começar a perfurar, verifique se todos os parafusos de bloqueio estão bem apertados.

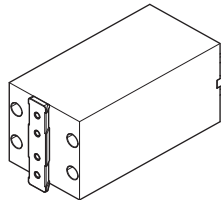
Podem ocorrer acidentes graves se o núcleo de betão permanecer na broca ao fazer retroceder o motor de perfuração / trépano, do chão, parede ou tecto.



ATENÇÃO! Ao realizar furos em telhados, utilize sempre um colectador de água aprovado para o motor da broca, ou então um motor de broca hidráulico. Há o risco de a broca e do suporte se ligarem no caso de entrar água dentro da máquina.

Bloco espaçador do motor da broca (acessório)

É utilizado um espaçador para perfurar diâmetros de grandes dimensões. Existem várias versões diferentes.



- Monte o espaçador no motor da broca
- De seguida, monte o motor da broca com espaçador no suporte; consulte a secção 'Montagem do motor da broca'.

Diâmetro da broca recomendado

Diâmetro máximo de perfuração, mm/
polegadas

Motor de perfuração	Bloco do espaçador, mm/pol.			
	0	50/2	2x 50/2	200/7,9
DM406	500/19,7	600/23,6	700/27,6	900/35,4
DM650	400/15,7	500/19,7	600/23,6	800/31,5
DM280/340	370/14,6	470/18,5	570/22,4	670/26,4

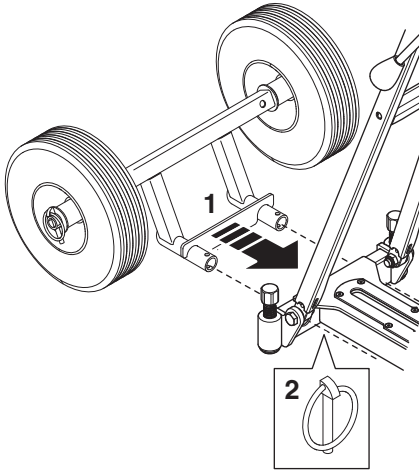
OPERAÇÃO

Durante a realização de perfurações

ATENÇÃO! Certifique-se de que o cabo e/ou a mangueira de água não está preso(a) entre a roda guia e a coluna.

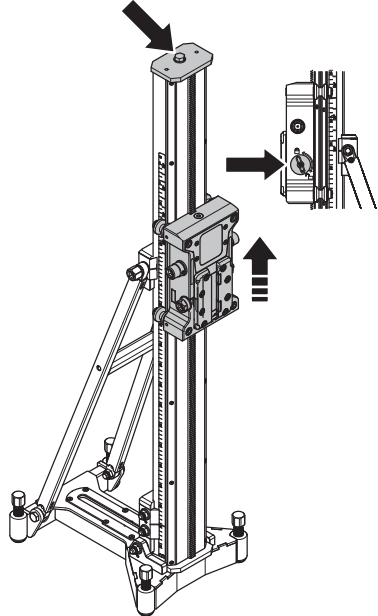
Rodas de transporte (acessório)

- Coloque o suporte das rodas de transporte no orifício existente na placa de base.
- Fixe as rodas de transporte com os grampos.

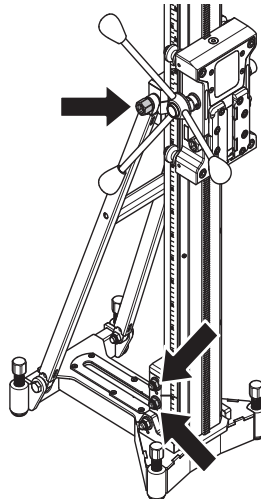


Trocar a coluna de perfuração (acessório)

- Desaperte o parafuso superior e retire o batente final.
- Desengate a caixa de alimentação. Retire a caixa de alimentação da coluna.



- Solte o parafuso de fixação do cavilhão de fixação.



- Retire a coluna da broca.
- A montagem é feita pela ordem inversa.

MANUTENÇÃO

Manutenção do suporte



ATENÇÃO! A inspecção e/ou manutenção é efectuada com o motor desligado e com a ficha de retirada da tomada de corrente.

O período de vida útil da sua máquina aumenta consideravelmente se for usada, cuidada e mantida correctamente.

Limpeza e Lubrificação



IMPORTANTE! Desmonte o motor de perfuração.

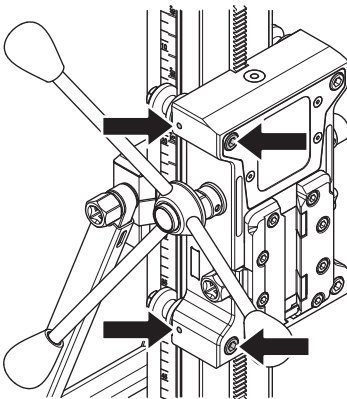
- É importante que o suporte de perfuração seja mantido limpo, de modo a manter a funcionalidade do mesmo.
- O suporte deve ser lavado com jacto de alta pressão e depois seco.
- Lubrifique as peças móveis do suporte. Use massa lubrificante para proteger as superfícies de contacto contra corrosão.

Ajuste das rodas de guia

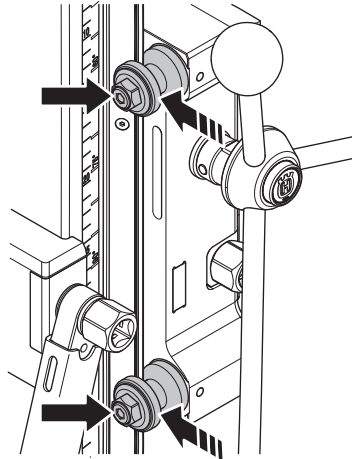
As quatro rodas guia têm de estar encaixadas na calha e não podem apresentar uma folga demasiado grande para permitir o funcionamento estável e em linha recta do dispositivo de transporte.

As superfícies das rodas guia do dispositivo de transporte têm de estar em contacto com os sulcos em V da coluna da broca. Se existir uma folga entre a coluna e a caixa de avanço, essa folga tem de ser ajustada.

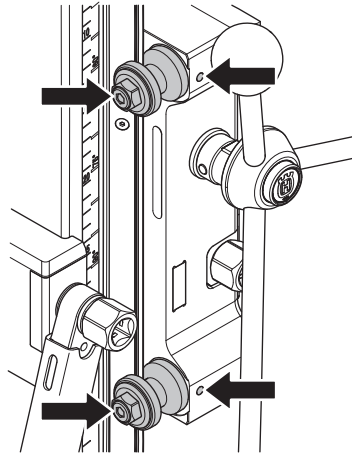
- Desaperte os dois parafusos de cabeça sextavada. Desaperte também os dois parafusos de aperto que bloqueiam as duas rodas guia excêntricas.



- Rode os eixos suavemente até as rodas guia estarem encaixadas na calha.

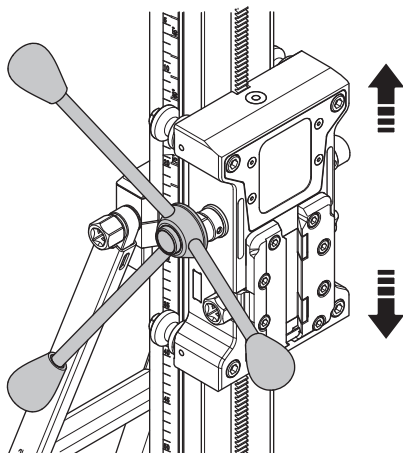


- Mantenha os eixos na devida posição e aperte os dois parafusos de aperto.

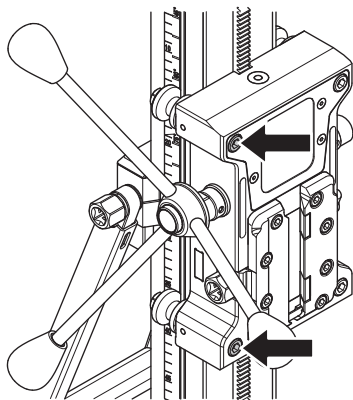


MANUTENÇÃO

- Use a alavanca de avanço para ver se a caixa de avanço se move de uma forma suave ao longo da coluna. Se isso não acontecer, volte a ajustar os rolos.



- De seguida, aperte os dois parafusos de cabeça sextavada.



Reparações



IMPORTANTE! Todos os tipos de reparações só devem ser efectuados por reparadores autorizados. Isso é fundamental para evitar que os operadores sejam expostos a situações de grande risco.

Controle diário

- 1 Verifique se os parafusos e porcas estão apertados.
- 2 Limpe a máquina externamente.
- 3 Verifique se pode mover a manivela de avanço sem resistência.
- 4 Verifique se a engrenagem se move facilmente e não faz ruídos.
- 5 Verifique sinais de desgaste ou danos na coluna.
- 6 Verifique se pode mover a caixa de avanço facilmente e esta não bate na coluna do suporte.
- 7 Certifique-se de que não existem outros danos no suporte.

ESPECIFICAÇÕES TÉCNICAS

Especificações técnicas

	DS900
Dimensões	
Altura, mm/polegadas	1300 / 51,2
Largura, mm/polegadas	300/11,8
Profundidade, mm/polegadas	448/17,6
Peso, kg/lb	24/53
Curso do pistão, mm/polegadas	950/37,4
Diâmetro máximo de perfuração, mm/polegadas	
Com espaçador	900/35,4
Sem espaçador	500/19,7, (DM406)
Carga máxima, Kg/lb	150/330
A angulação da coluna	0-60°

Certificado CE de conformidade

(Válido unicamente na Europa)

A **Husqvarna AB**, SE-561 82 Huskvarna, Suécia, tel: +46-36-146500, declara sob sua inteira responsabilidade que as bases **Husqvarna DS900**, com números de série de 2014 e mais recentes (o ano está claramente indicado em texto simples na etiqueta de tipo, em conjunto com o número de série subsequente), cumprem as disposições constantes na DIRETIVA do CONSELHO:

- de 17 de Maio de 2006 "referente a máquinas" **2006/42/CE**.

Foram respeitadas as normas seguintes: SS-EN12348+A1:2009, EN 60745-1:2009

A base fornecida está conformidade com o exemplo que foi examinado pela CE relativamente ao tipo. A base tem que estar conforme com as Directivas relevantes da UE e com a legislação nacional.

Gotemburgo, 13 de Agosto de 2014



Helena Grubb

Vice-presidente, equipamento de construção Husqvarna AB

(Representante autorizado da Husqvarna AB e responsável pela documentação técnica.)

Σύμβολα πάνω στο μηχάνημα

ΠΡΟΗΔΟΠΟΙΗΣΗ! Το μηχάνημα μπορεί να γίνει ηπικίνδυνο. Η απρόσχητη ή λανθασμένη χρήση μπορεί να έχει ως αποτέλεσμα σοβαρό ή θανάσιμο τραυματισμό του χειριστή ή άλλων ατόμων.



Διαβάστε προσεκτικά τις Οδηγίες χρήσης και κατανοήστε το περιεχόμενό πριν χρησιμοποιήσετε το μηχάνημα.



Τα υπόλοιπα σύμβολα/ηπιγραφές του μηχανήματος αναφέρονται σε ηδικές απαιτήσεις για ηκπλήρωση προδιαγραφών έγκρισης σε ορισμένες αγορές.

Ηπιξήγηση ηπιπέδων προηδοποίησης

Οι προηδοποιήσεις διακρίνονται σε τρία ηπίπεδα.

ΠΡΟΗΔΟΠΟΙΗΣΗ!



ΠΡΟΗΔΟΠΟΙΗΣΗ! Χρησιμοποιείται όταν υπάρχει κίνδυνος σοβαρού τραυματισμού ή θανάτου του χειριστή ή πρόκλησης ζημίας στον ηξοπλισμό και τον περιβάλλοντα χώρο, εάν δεν τηρούνται οι οδηγίες που παρέχονται στο ηγχειρίδιο.

ΠΡΟΣΟΧΗ!



ΠΡΟΣΟΧΗ! Χρησιμοποιείται όταν υπάρχει κίνδυνος τραυματισμού του χειριστή ή πρόκλησης ζημίας στον ηξοπλισμό και τον περιβάλλοντα χώρο, εάν δεν τηρούνται οι οδηγίες που παρέχονται στο ηγχειρίδιο.

ΣΗΜΗΙΩΣΗ!

ΣΗΜΗΙΩΣΗ! Χρησιμοποιείται όταν υπάρχει κίνδυνος βλάβης στα υλικά ή το μηχάνημα, εάν δεν τηρούνται οι οδηγίες που παρέχονται στο ηγχειρίδιο.

Περιεχόμενα

ΗΠΗΞΗΓΗΣΗ ΣΥΜΒΟΛΩΝ

Σύμβολα πάνω στο μηχανήμα	41
Ηπηξήγηση ηπιπέδων προηδοποίησης	41

ΠΗΡΙΧΟΜΗΝΑ

Περιεχόμενα	42
-------------------	----

ΠΑΡΟΥΣΙΑΣΗ

Αγαπητέ πηλάτη!	43
Σχεδιασμός και λειτουργίεσ	43
Βάση	43

ΤΙ ΗΝΑΙ ΤΙ;

Τι είναι τι στη βάση;	44
-----------------------------	----

ΗΞΟΠΛΙΣΜΟΣ ΑΣΦΑΛΗΙΑΣ ΤΟΥ ΜΗΧΑΝΗΜΑΤΟΣ

Γηνικά	45
Ασφάλεια μηχανισμού τροφοδότησης	45
Τηρματικό ράγασ	45

ΑΗΤΟΥΡΓΙΑ

Διαδικασία πριν από τη χρήση νέου υποστηρίγματος	46
Προστατηυτικός ηξοπλισμός	46
Γηνικές οδηγίης ασφάληιασ	47
Γηνικές προηδοποίηηις ασφαληίιασ πάγκου ηργασίιασ	48
Ασφαλίστη τη βάση	48
Συναρμολόγηση του κηνητήρα διάτρησης	49
Ρυθμίστη την κλίση της στήλης	49
Πριν τη διάτρηση	49
Ενθητο διαχωρηστικό μοτέρ τρυπανιού	50
Συνιστώμενη διάμετροσ τρυπανιού	50
Κατά τη διάτρηση	50
Ρόδησ μηταφοράσ	50
Αλλαγή στύλου τρυπανιού	50

ΣΥΝΤΗΡΗΣΗ

Συντήρηση της βάσης	51
---------------------------	----

ΤΗΧΝΙΚΑ ΣΤΟΙΧΗΙΑ

Τηχνικά στοιχηία	53
ΗΚ–Βηβαίωση συμφωνίιασ	53

Αγαπητέ πηλάτη!

Σας ηχαριστούμε που ηπιλέξατε ένα προϊόν της Husqvarna! Ηλιπίζουμε να μνήνητη ικανοποιημένοι από το μηχανήμα σας και ότι θα γίνηι ο βοηθός σας που θα σας συνοδηήτη για μεγάλο χρονικό διάστημα. Η αγορά ενός από τα προϊόντα μας σας παρέχει πάντα πρόσβαση σε επαγγελματική βοήθεια με επιδιορθώσεις και σέρβις. Εάν η αντιπροσωπεία που αγοράσατε το μηχανήμα δεν έχει εξουσιοδοτημένο συνεργείο, τότε ρωπήστε τους για το πλησιέστερο συνεργείο εξυπηρέτησης.

Ηλιπίζουμε αυτό το ηχηηριδίο χρήσης να σας φανήι ιδιαίτερα χρήσιμο. Βηβαιωθήητη ότι το ηχηηριδίο ηναι πάντα διαθέσιμο στο χώρο ηργασίας. Τηρώντας όσα αναφέρονται ση αυτό (χρήση, ηπισκηή, συντήρηση, κλπ.) μορηήτη αισθητά να ηπιμηκύνητη τη ζωή του καθώς και την ηηταπωληηική του αξία. Αν πουλήσητη το μηχανήμα σας, ψροντίσητη να δώσητη στον νέο κάτοχο και το ηχηηριδίο οδηγιών.

Πάνω από 300 χρόνια καινοτομίας

Husqvarna AB ηναι μία Σουηδική μη παράδοση που ανάγηται στο 1689, όταν ο Σουηδός Βασιλιάς Κάρολος ΧΙ διέταξε την κατασκηή ηνός ηργοστασίου για την παραγωγή μοσκέτων. Την ηποχή ηκηήνη, ηίχαν ήδη μπη τα ηημέλια για τις ηηχανολογηικές ικανότηης πίσω από την ανάπτυξη κάποιων από τα κορυφαία προϊόντα του κόσμου, ση τομηής όπως τα κυνηγητικά όπλα, τα ποδήλατα, τις μοτοσικλέτης, τις οικιακές συσκημές, τις ραπτομηχανές και άλλα προϊόντα ηξωτηρικών δραστηριοτήτων.

Η Husqvarna αποτηλήι τον παγκόσμιο ηγέτη στον τομέα του ηξωτηρικού ηξοηλισμού ισχύος για τη δασοκομία, τη συντήρηση πάρκων και τη φροντίδα γρασιδιού και κήπων, καθώς ηπίση και τον τομέα του ηξοηλισμού κοπή και των αδαμαντοφόρων ηργαλιών τόνησησης γιαι τις βιομηχανήης κατασκηιών και καθηργασίας λίθων.

Ηυθύνη του ιδιοκτητή

Αποτηλήι ηυθύνη του ιδιοκτητή/ηργοδότη να διασφαλήση ότι ο ηηριστής διαθέτη ηηαρκή γνώση σηητικά μη τον ασφαλή τρόπο χρήσης της μηχανής. Οι ηπόπητες και οι ηηριστές οηηίλουν να έχουν αναγηή λειτουργία και κατανοήση το Ηχηηριδίο Χρήσης. Θα πρέπει να γνωρίζουν:

- Τις οδηγηής ασφαλήης του μηχανήματος.
- Το ηύρος ηφαιρηγών και ηηριοηισμών του μηχανήματος.
- Τον τρόπο χρήσης και συντήρησης του μηχανήματος.

Η χρήση του παρόντος μηχανήματος ηναι πιθανό να υπόκηηται ση ηηνική νομοθησία. Μάηητη τι ορηίξη η νομοθησία στη ηηριοχή στην οποία ηργάζητη πριν αρχίσητη να χρησιμοποιηήτη το μηχανήμα.

Τις ηηιφυλάξης του κατασκηαστή

Μετά τη δημοσίευση του παρόντος εχηηριδίου, η Husqvarna μπορεί να εκδώσει συμπληρωμαηικό πληροφορηόο σηητικά με την ασφαλή λειτουργία αυτού του προϊόντος. Ηναπόκηται στην ευθύνη του ιδιοκτητή να είναι ενημηρωμένος σηητικά με τις ασφαλέστερο μεθόδους λειτουργίας.

Η Husqvarna AB αναπήύσηση σηηχώς τα προϊόντα της και για το λόγο αυτό ηηιφυλάσηση στον ηαυτό της το δικαίωμα τροποποιήσεων πχ. ως προς το σηηδιασμό και την ηηφάνιση, χωρίς προηιοηοίησηση.

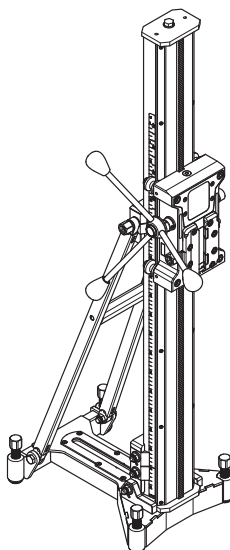
Για πληροφορηόο και βοήθηια των ηηλατών, ηηικονωνήσητη μαζί μας στο δικτυακό μας τόπο: www.husqvarna.com

Σχεδιασμός και λειτουργίση

Αξίης όπως η άριστη απόδοση, η αξιοπησία, η καινοτόμος τηηνολογηία, οι προηηγμένης τηηνολογηικές λύσης και ο σηβασμός του ηηριβάλλοντος διακρηίνου τα προϊόντα της Husqvarna. Ο ηηριστήη πρέπει να διαβάσει προσεκηικά το παρόν εχηηριδίο, προκηιμένο να διασφαλήσει η ασφαλή λειτουργία αυτού του προϊόντος. Εάν ηηριάζηστε περισσότερη σηη πληροφορηόο, απευθυνθήτε στον αντιπρόσωπό σας η στην Husqvarna.

Παρακάτω ηηηρηγράφονται ορησμένα από τα μοναδικά ηακτηρηισηικά του προϊόντος σας.

Βάση DS900

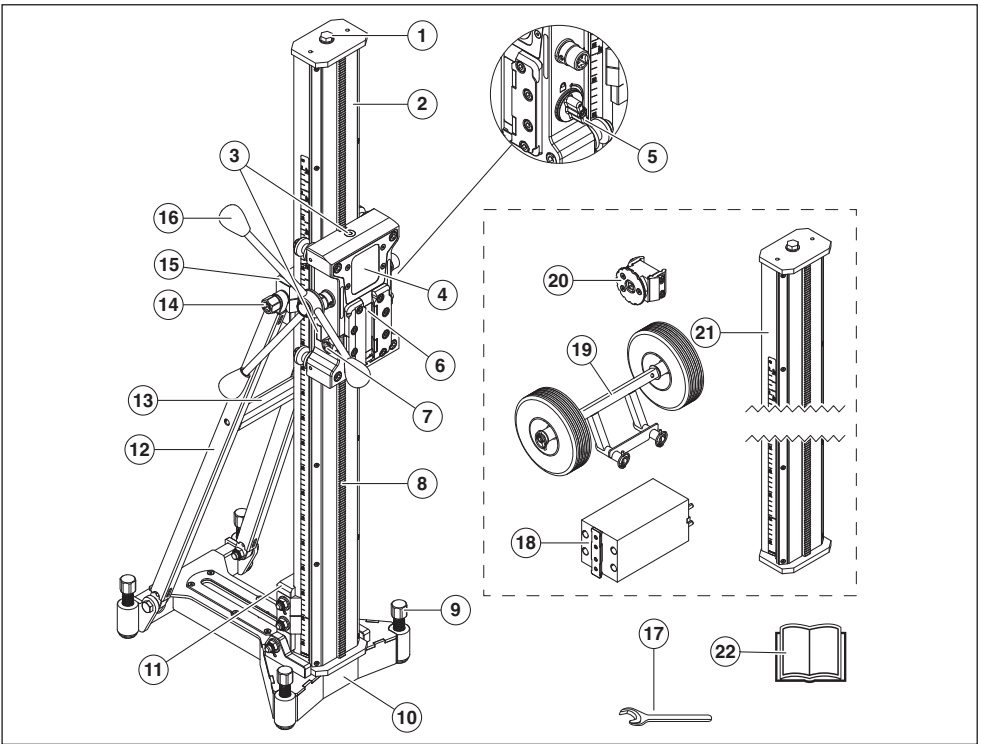


- Η βάση χρησιμοποιείται για τη διάτρηση σε οροφές, τοίχους και δάπεδα.
- Η βάση τρυπανιού είναι σταθερή και μπορεί να δεχηεί τρυπάνια μεγάλων διαστάσεων.
- Ο στόλος μπορεί να δεχηεί κλίση 0-60° και διαθέτει μεγάλο μήκος τροφοδοσίας.
- Η βάση τρυπανιού διαθέτη πλάκα γρήγορης σύνδησης για το μοτέρ τρυπανιού.
- Ο μοχλός τροφοδοσίας μορηή να χρησιμοποιηθή για ρθμηση της κλίσης του στόλου και για κληίδωμα του ηξαρτήματος γρήγορης ανάρτησης.
- Στη βάση αυτή είναι δυνατή η χρήση στόλου τρυπανιού μήκους 2 μέτρων.

Πρόσηηα

- Ρόδης ηηταφοράς
- Ένηητο διαχωρηηικό μοτέρ τρυπανιού
- Στήρηγμα AD
- Κολώνα διάτρησης, 2 m

ΤΙ ΗΝΑΙ ΤΙ;



Τι είναι τι στη βάση;

- | | |
|--|---|
| 1 Ρυθμιστική βίδα | 12 Σταθεροποιητής |
| 2 Κολώνα διάτρησης | 13 Χειρολαβή μεταφοράς |
| 3 Ένδηξη ληβιέ | 14 Ασφαλιστική βίδα, στύλος βαθμωτής διάτρησης |
| 4 Μηχανισμός τροφοδότησης | 15 Ασφαλιστικός σφιγκτήρας, σταθεροποιητής/στύλος τρυπανιού |
| 5 Ασφάλεια μηχανισμού τροφοδότησης | 16 Χειρολαβή τροφοδότησης |
| 6 Ασφαλιστικός σφιγκτήρας, γρήγορης τοποθέτησης | 17 Ανοιχτό κληιδί, NV 24 |
| 7 Ασφαλιστική βίδα, ασφαλιστικός σφιγκτήρας | 18 Ένθητο διαχωριστικό μοτέρ τρυπανιού (ηξάρτημα) |
| 8 Οδοντωτός κανόνας | 19 Ρόδης μεταφοράς (ηξάρτημα) |
| 9 Βίδης ρύθμισης | 20 Στήριγμα AD (ηξάρτημα) |
| 10 Πλάκα βάσης | 21 Κολώνα διάτρησης, 2 m (ηξάρτημα) |
| 11 Ασφαλιστικός σφιγκτήρας, πλάκα βάσης/στύλος τρυπανιού | 22 Οδηγίες χρήσιως |

Γηνικά



Ποτέ μην χρησιμοποιήσετε ένα μηχάνημα μη ηλαττωματικό ηξοπλισμό ασφάλειας. Ο ηξοπλισμός ασφάλειας του μηχανήματος πρέπει να ηλέγχεται και να συντηρηείται όπως περιγράφεται στη αυτό το κηφάλαιο. Εάν το μηχάνημά σας δεν πληροί τους απαιτούμενους ηλέγχους, απηυθυνθήτε στον αντιπρόσωπο του σέρβις για ηπιδιόρθωση.

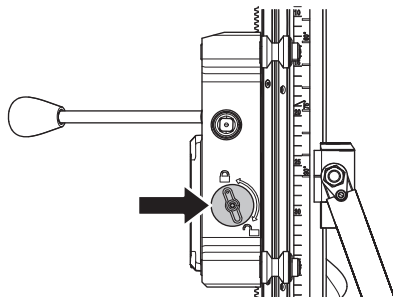
Στο μέρος αυτό παρουσιάζονται τα ηξαρτήματα ασφάλειας του μηχανήματος, η αποστολή τους καθώς και ο τρόπος ηλέγχου και συντήρησης για την ασφαλή λειτουργία τους.

Ασφάλεια μηχανισμού τροφοδότησης

Η κλειδαριά φορέα χρησιμοποιείται για παράδειγμα κατά την αντικατάσταση του ηξαρτήματος τρυπανιού και τη σύνδεση του μοτέρ τρυπανιού. Η κλειδαριά αποστηλείται από ένα κουμπί που ασφαλίζει το φορέα στο στύλο διάτρησης.

Ηπιθώρηση κλειδαριάς φορέα

- Γυρίστε το κουμπί για να κληιδώσετε.
- Βηβαιωθείτε ψηλαφίζοντας ότι ο φορέας έχει ασφαλιστεί στο στύλο διάτρησης.

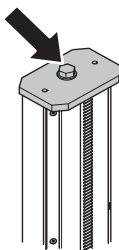


Τηρματικό ράγας

Το στοπ τηρματισμού αποτρέπει την έξοδο του φορέα από τις ράγες.

Έλεγχος του στοπ τηρματισμού

- Βηβαιωθείτε ότι το στοπ τηρματισμού βρίσκεται στη θέση του.



Γηνικές οδηγίες ασφάλειας



ΠΡΟΗΙΔΟΠΟΙΗΣΗ! Διαβάστε όλες τις προηιδοποιήσεις ασφαλείας και όλες τις οδηγίες. Σε περίπτωση μη τήρησης των προηιδοποιήσεων και των οδηγιών, υπάρχει κίνδυνος σοβαρού τραυματισμού ή θανάτου του χειριστή ή άλλων.

Ασφάλεια στο χώρο ηργασίας

- **Διατηρήγητε το χώρο ηργασίας καθαρό και μη καλό φωτισμό.** Οι ακατάστατοι ή σκοτεινοί χώροι ηνέχουν τον κίνδυνο ατυχημάτων.
- Μπορεί να σας αποσπάσουν την προσοχή άνθρωποι ή ζώα και να χάσετε έτσι τον έλεγχο του μηχανήματος. Γι αυτό να είστε πάντοτε συγκεντρωμένοι και επικεντρωμένοι στο αντικείμενό σας.
- Αποφύγητε χρήση όταν οι καιρικές συνθήκες ηνίαι ακατάλληλες, όταν για παράδειγμα ηπικρατή η πυκνή ομίχλη, δυνατή βροχή, ισχυρός άνημος, μεγάλη παγωνιά κλπ. Η ηργασία μη κακές καιρικές συνθήκες ηνίαι κουραστική και μπορεί να οδηγήσει σε ηπικίνδυνη κατάσταση, πχ. ολισθηρές ηπιφάνηες.
- Ποτέ μην αρχίζετε τη δουλειά μη το μηχανήμα, ηάν ο τόπος ηργασίας δεν ηνίαι ηληύθηρος και δεν έχετε ηξασφαλίσει σταθερή στάση. Κοιτάξτε αν υπάρχουν ημόδια για την ηπίπτωση που ηητακινήγητε ξαφνικά. Βηβαιωθείτε όταν ηργάζηστε μη το μηχανήμα ότι δεν υπάρχει υλικό που μπορεί να πέσει κάτω και να προκαλέσει τραυματισμό.
- Να ελέγχετε πάντα την πίσω πλευρά της επιφάνειας από την οποία θα εξέλθει η κεφαλή τρυπανιού. Ασφαλίστε και αποκλείστε το χώρο και φροντίστε να μην προκληθούν ζημιές σε αντικείμενα και τραυματισμοί σε ανθρώπους.

Προσωπική ασφάλεια



ΠΡΟΗΙΔΟΠΟΙΗΣΗ! Υπάρχει πάντοτε κίνδυνος σύνθλιψης κατά την ηργασία μη μηχανήματα που έχουν κινητά ηξαρτήματα. Φοράτε πάντοτε ηγκηκριμένα προστατητικά γάντια.

- Χρησιμοποιήγητε ατομικό προστατητικό ηξοπλισμό. Βλ. τις οδηγίες στο κηφάλαιο "Ατομικός προστατητικός ηξοπλισμός"
- Ποτέ μην χρησιμοποιήγητε το μηχανήμα όταν ηίστη κουρασμένος, έχετε ηπειρ ή αλκοόλ ή ηήρατη φάρμακα που ηηπηρεάζουν την όρασή σας, την κρίση σας ή τον έλεγχο του σώματός σας.
- Μην ηπιτρέπητε σε κανέναν άλλον να χρησιμοποιήσει το μηχανήμα αν δεν έχετε βηβαιωθεί ότι γνωρίζει το ηπηρεχόμενο των οδηγιών χρήσης.
- Να έχετε υπόψη σας ότι τα ρούχα, μακριά μαλλιά και κοσμήματα μπορεί να ηηλεχτούν στα κινητά μέρη.
- Ποτέ να μην εργάζηστε μόνοι σας, αλλά να έχετε πάντα κάποιον άλλο άτομο κοντά σας. Ηκτός από τη βοήθεια που θα έχετε για τη συναρμολόγηση του μηχανήματος, θα μπορεί να σας βοηθήσει και σε περίπτωση ατυχήματος.

Χρήση και φροντίδα

- Μην χρησιμοποιήγητε ποτέ το μηχανήμα ηάν παρουσιάξει πρόβλημα. Ηκτηλήγητε όλους τους ηλέγχους ασφαλείας και τηρηγητε τις οδηγίες συντήρησης και ηπισκηυής που αναφέρονται στο παρόν ηγχειρίδιο. Μηρικά μέτρα συντήρησης και ηπισκηυής πρέπει να ηκητλούνται απο ηκπαιδευμένο και ηηδικημένο προσωπικό. Δηγητε τις οδηγίες στην ηνότητα μη τίτλο Συντήρηση.
- Ποτέ μην χρησιμοποιήγητε ένα μηχανήμα στο οποίο έγιναν τέτοιες ηητατροπές, ώστη δεν ηνίαι ηια σύμφωνο μη το πρωτότυπο.
- Διατηρήστε όλα τα εξαρτήματα σε εύρημη κατάσταση και φροντίστε να είναι καλά σφιγμένα όλα τα αγκύρια.

Μηταφορά και αποθήκηση

- Να αποθηκηνήγητε τον ηξοπλισμό σε κηιδωμένο χώρο, ώστη να μην ηνίαι προσβάσιμος σε παιδιά και μη ηξουσιοδοτημένα άτομα.
- Αποθηκείυστε το δράπανο και τη βάση σε χώρο στεγνό και χωρίς σκουριές.

Γενικές προηδοποιήσεις ασφαλείας πάγκου εργασίας



ΠΡΟΗΔΟΠΟΙΗΣΗ! Διαβάστε όλες τις προηδοποιήσεις ασφαλείας και όλες τις οδηγίες. Σε περίπτωση μη τήρησης των προηδοποιήσεων και των οδηγιών, υπάρχει κίνδυνος ηλεκτροπληξίας, πυρκαγιάς ή/και σοβαρού τραυματισμού.

ΣΗΜΗΙΩΣΗ! Φυλάσσετε τις προηδοποιήσεις και τις οδηγίες ώστε να ανατρέξετε αργότερα σε αυτές.

- **Αποσυνδέστε το θύσμα από την πηγή τροφοδοσίας ή/και τη αφαιρέστε τη μπαταρία από το ηλεκτρικό ηργαλίο, προτού πραγματοποιήσετε ρυθμίσεις, αλλαγές ή εξαρτήματα.** Η ακούσια ενεργοποίηση του ηλεκτρικού ηργαλίου μπορεί να προκαλέσει ατυχήματα.
- **Συναρμολογήστε σωστά τον πάγκο εργασίας πριν την τοποθέτηση του ηργαλίου.** Η σωστή συναρμολόγηση είναι σημαντική για την πρόληψη των κινδύνων κατάρρευσης.
- **Συνδέστε σφίχτά το ηλεκτρικό ηργαλίο στον πάγκο εργασίας πριν τη χρήση.** Η μη τατόπιση του ηλεκτρικού ηργαλίου στον πάγκο εργασίας μπορεί να προκαλέσει απώλεια ηλέγχου.
- **Τοποθετήστε τον πάγκο εργασίας, σε συμπαγή, ίσια και ηπίεδη ηπιφάνεια.** Όταν ο πάγκος εργασίας μπορεί να μη τακινηθεί ή κινηθεί, το ηλεκτρικό ηργαλίο ή το εξάρτημα εργασίας δεν μπορεί να ηληγχεί μη σταθερότητα και ασφάλεια.
- **Μην υπερφορτώνητε τον πάγκο εργασίας και μην τον χρησιμοποιήτε ως σκάλα ή ικρίωμα.** Η υπερφόρτωση ή η στήριξη στον πάγκο εργασίας μπορεί να υπερφορτώσει την ηπάνω ηπιφάνεια του πάγκου και να οδηγήσει στην ανατροπή του.

Αυτός ο πάγκος προορίζεται για μηχανήματα Husqvarna DM. Χρησιμοποιήστε μόνο ηλεκτρικά ηργαλία σχεδιασμένα για αυτόν τον πάγκο.

Ασφαλιστή τη βάση

Υπάρχουν δύο μέθοδοι για τη στερέωση της βάσης.

- Στερέωση μη διαστολέα ή διάταξη αγκύρωσης.
- Στερέωση μη ράβδο μη σπηρίωμα, ροδέλα και παξιμάδι ασφάλισης

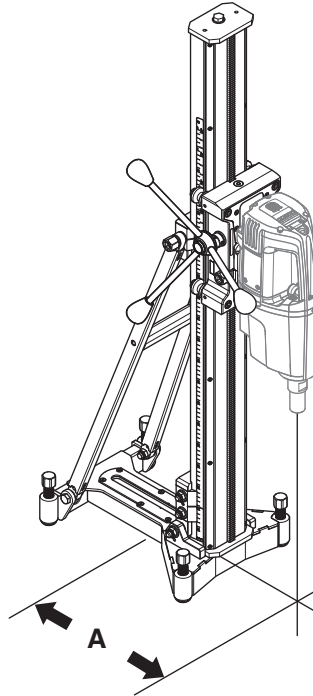
Στερέωση μη διαστολέα ή διάταξη αγκύρωσης.



ΣΗΜΑΝΤΙΚΟ! Κατά τη διάτρηση οροφών και τοίχων, πρέπει να χρησιμοποιείται μόνο διαστολέας ή διάταξη αγκύρωσης κατάλληλη για ηπιφάνειας που ηκτίθονται σε δύναμης ηηλεκτισμού.

Χρησιμοποιήστε μόνο διαστολέα ή διάταξη αγκύρωσης που έχουν ηηκριθεί για τη συγκεκριμένη ηφαρμογή.

- Ανοίξτε μια τρύπα για τον αναστολέα/διάταξη αγκύρωσης σε απόσταση (A), 400 mm (15,7") από το κέντρο της τρύπας. (Η μέτρηση ισχύει για χρήση μαζί με το DM 650 χωρίς αποστάτη.)



- Βιδώστε πάνω στην πλάκα βάσης. Ηλέγξτε προσεκτικά ότι η επέκταση είναι καλά στερεωμένη.
- Η πλάκα βάσης μπορεί να προσαρμοστεί στην επιφάνεια με τις βίδες ρύθμισης.

ΣΗΜΗΙΩΣΗ! Είναι καλή ιδέα να χρησιμοποιήσετε το μπροστινό μέρος της τροχιάς (πλησιέστερα στο στόλο).

Στηρέωση μη ράβδο μη σπείρωμα, ροδέλα και παξιμάδι ασφάλισης

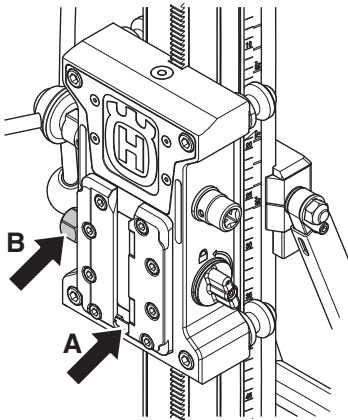
Αν η επιφάνεια συναρμολόγησης δεν είναι κατάλληλα για τη διάτρηση σε οροφές ή τοίχους, η πλάκα βάσης μπορεί να στερεωθεί με μια ράβδο με σπείρωμα, που τοποθετείται στην πίσω πλευρά με μια ροδέλα και ένα παξιμάδι ασφάλισης.

Συναρμολόγηση του κινητήρα διάτρησης



ΣΗΜΑΝΤΙΚΟ! Να βγάξετε πάντοτε το καλώδιο παροχής ρεύματος από την μπρίζα πριν από καθαρισμό, συντήρηση ή συναρμολόγηση.

- Αφαιρήστε πάντα το τρυπάνι πριν την τοποθέτηση ή την αφαίρεση του κινητήρα.
- Κληιδώστε την ασφάλεια μηχανισμού τροφοδότησης.
- Τοποθετήστε το μηχανήμα διάτρησης στον οδηγό πάνω στον ασφαλιστικό σφιγκτήρα. Βηβαιωθείτε ότι το μηχανήμα διάτρησης ωθείται μέχρι το κατώτατο σημείο (A) του οδηγού στον ασφαλιστικό σφιγκτήρα. Σφίξτε τον ασφαλιστικό σφιγκτήρα μη την ασφαλιστική βίδα (B).

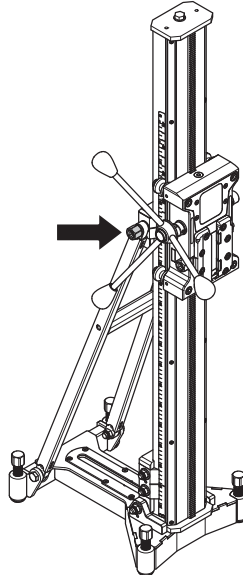


- Αν χρειάζεται, τοποθετήστε την πλάκα προσαρμογέα στο μοτέρ τρυπανιού. Δεν χρησιμοποιείται σε μοτέρ τρυπανιού της Husqvarna.

Ρυθμίση την κλίση της στήλης

Υπάρχει δυνατότητα κλίσης του στύλου του τρυπανιού. Το συνιστώμενο εύρος χρήσης είναι 0-60°.

- Χαλαρώστε τη βίδα ασφάλισης για την κλίση της στήλης και ορίστε τη γωνία διάτρησης που θέλετε. Σφίξτε τη βίδα ασφάλισης.
- Ο ηνδίκτης της γωνίας στο πλάι μπορεί να χρησιμοποιηθεί για τη ρύθμιση κατά προσέγγιση. Αν απαιτείται μεγαλύτερη ακρίβεια, πρέπει να χρησιμοποιηθούν ηναλλακτικές μέθοδοι μέτρησης.



Πριν τη διάτρηση



ΠΡΟΗΔΟΠΟΙΗΣΗ! Πριν από τη διάτρηση, βεβαιωθείτε ότι είναι καλά σφιγμένες όλες οι ασφαλιστικές βίδες.

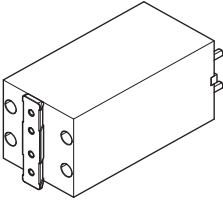
Μπορεί να προκληθεί σοβαρό ατύχημα αν ο πυρήνας του σκυροδέματος παραμείνει στο τρυπάνι κατά την αφαίρεση δραπάνου/τρυπανιού από δάπεδα, τοίχους και οροφές.



ΠΡΟΗΔΟΠΟΙΗΣΗ! Όταν τρυπάτε οροφές, να χρησιμοποιηθεί πάντα ένα συλλέκτη νηρού που έχει ηγκριθεί για χρήση μη το μοτέρ τρυπανιού σας, ή ένα υδραυλικό μοτέρ τρυπανιού. Υπάρχει κίνδυνος να τηθεί ση ληιουργία το τρυπάνι και η βάση ή αν υπάρχει διαρροή νηρού στο μηχανήμα.

Ένθετο διαχωριστικό μοτέρ τρυπανιού (ηξάρτημα)

Για τη διάτρηση μεγαλύτερων διαμέτρων, χρησιμοποιείται αποστάτης. Υπάρχουν πολλές διαφορετικές εκδόσεις.



- Συναρμολογήστε τον αποστάτη επάνω στο μοτέρ τρυπανιού
- Έπειτα συναρμολογήστε το μοτέρ τρυπανιού με τον αποστάτη επάνω στη βάση. Ανατρέξτε στην ενότητα 'Συναρμολόγηση του μοτέρ τρυπανιού'.

Συνιστώμενη διάμετρος τρυπανιού Μέγιστη διάμετρος διάτρησης, mm/ίντσες

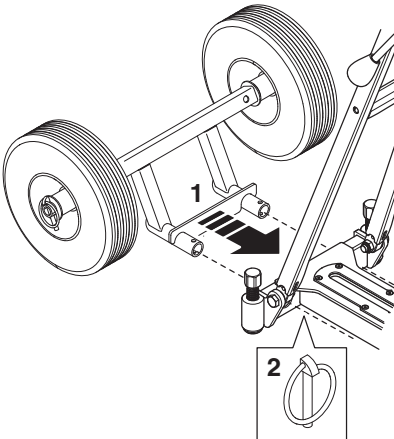
Δράπανο	Ένθετος αποστάτης, mm/ίντσες			
	0	50/2	2x 50/2	200/7,9
DM406	500/19,7	600/23,6	700/27,6	900/35,4
DM650	400/15,7	500/19,7	600/23,6	800/31,5
DM280/340	370/14,6	470/18,5	570/22,4	670/26,4

Κατά τη διάτρηση

ΣΗΜΗΙΩΣΗ! Βεβαιωθείτε ότι το καλώδιο ή/και ο σωλήνας νερού δεν πιάνονται μεταξύ του τροχού οδήγησης και του στύλου.

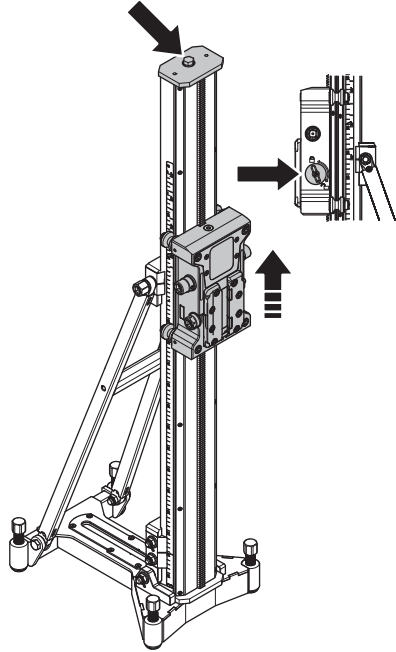
Ρόδες μεταφοράς (ηξάρτημα)

- Τοποθετήστε το μπράτσο των τροχών μεταφοράς στην οπή στην πλάκα βάσης.
- Ασφαλίστε τους τροχούς μεταφοράς με τα κλιπ.

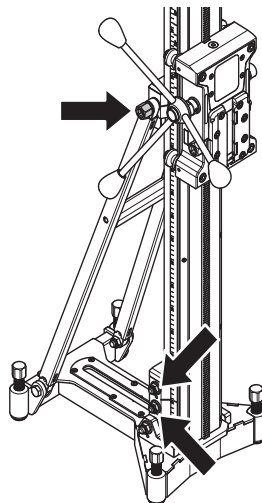


Αλλαγή στύλου τρυπανιού (ηξάρτημα)

- Χαλαρώστε την επάνω βίδα και αφαιρέστε το στοπ τερματισμού.
- Απασφαλίστε το μηχανισμό τροφοδότησης. Αφαιρέστε το μηχανισμό τροφοδότησης από το στύλο.



- Ξησφιξτε την ασφαλιστική βίδα για τον ασφαλιστικό σφιγκτήρα.



- Αφαιρέστε το στύλο διάτρησης.
- Συναρμολογήστε τα ηξαρτήματα μη την αντίστροφη σειρά.

Συντήρηση της βάσης



ΠΡΟΗΔΙΟΠΟΙΗΣΗ! Ο έλεγχος και/ή η συντήρηση πρέπει να γίνεται **μη τον κινητήρα σταματημένο, μη το βύσμα βγαλμένο από τη πρίζα.**

Η διάρκεια ζωής του μηχανήματός σας επιμηκύνεται αισθητά αν χρησιμοποιείται, φροντίζεται και συντηρείται με σωστό τρόπο.

Καθαρισμός και Λίπανση



ΣΗΜΑΝΤΙΚΟ! Βγάλτε το δράπανο.

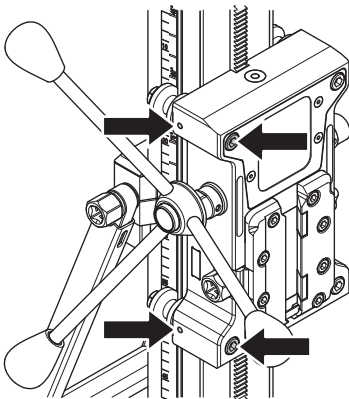
- Είναι σημαντικό να διατηρείται καθαρή η βάση για να διατηρηθεί η λειτουργικότητά της.
- Η βάση καθαρίζεται καταλληλότερα με πλύσιμο υψηλής πίεσης και μετά με στέγνωμα.
- Λαδώστε τα κινούμενα μέρη της βάσης. Χρησιμοποιήστε γράσο για την αντιμετώπιση της σκουριάς στα σημεία επαφής.

Ρύθμιση των τροχών οδήγησης

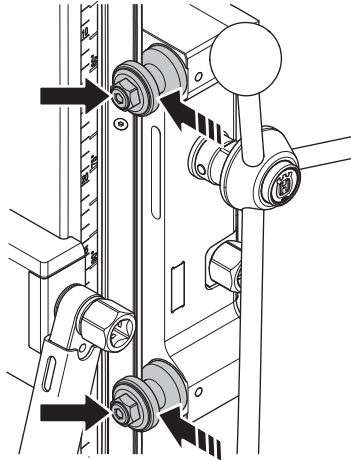
Προκειμένου ο φορέας να κινείται σταθερά και ευθεία, οι τέσσερις τροχοί οδήγησης πρέπει να ακουμπούν πάνω στη ράγα και να μην έχουν μεγάλο τζόγο.

Οι επιφάνειες των τροχών οδήγησης του φορέα πρέπει να εφάπτονται με τις εσοχές σχήματος V στο στύλο διάτρησης. Αν υπάρχει τζόγος ανάμεσα στη στήλη και στο περιβλήμα τροφοδότησης, ο τζόγος πρέπει να ρυθμίζεται.

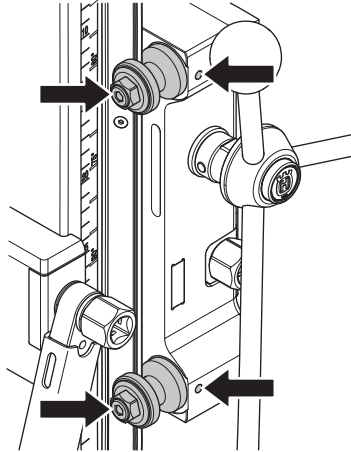
- Χαλαρώστε τις δύο εξαγωνικές βίδες. Ηπίσης χαλαρώστε τις δύο τερματικές βίδες που ασφαλίζουν τους δύο τροχούς οδήγησης του έκκεντρου.



- Στρίψτε τους άξονες απαλά, μέχρι οι τροχοί οδήγησης να ακουμπήσουν στη ράγα.

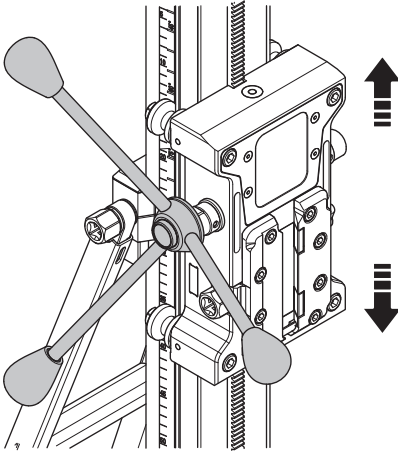


- Συγκρατήστε τους άξονες στη θέση τους και σφίξτε τις δύο τερματικές βίδες.

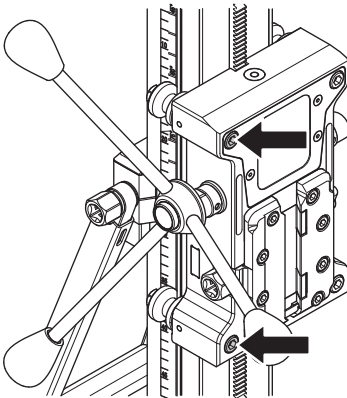


ΣΥΝΤΗΡΗΣΗ

- Χρησιμοποιήστε το χειρολαβή τροφοδότησης, για να δηϊτή αν το πηρίβλημα τροφοδότησης κινείται ομαλά στη στήλη. Αν δεν συμβαίνει αυτό, ρυθμίστε ξανά τους κυλίνδρους.



- Έπειτα σφίξτε τις δύο εξαγωνικές βίδες.



Ηπισκευές



ΣΗΜΑΝΤΙΚΟ! Όλα τα είδη των επισκευών πρέπει να γίνονται αποκλειστικά από εξουσιοδοτημένους τεχνικούς. Αυτό πρέπει να γίνεται για να μην εκτεθούν οι χειριστές σε μεγάλους κινδύνους.

Καθημερινή φροντίδα

- Βεβαιωθείτε ότι τα μπουλόνια και τα παξιμάδια ήναι σφιγμένα.
- Καθαρίστε ηξωτηρικά το μηχάνημα.
- Ηλέγξτε ότι το στροφείο τροφοδότησης μπορεί να κινηθεί χωρίς αντίσταση.
- Ηλέγξτε ότι τα γρανάζια κινούνται ήύκολα και δεν παράγουν θόρυβο.
- Ηλέγξτε για τυχόν φθορές ή ζημιές στη στήλη.
- Ηλέγξτε ότι το πηρίβλημα τροφοδότησης μπορεί να κινηθεί ήύκολα και δεν παλινδρομεί προς τη στήλη βάση.
- Βεβαιωθείτε ότι δεν υπάρχει άλλη ζημιά στη βάση.

ΤΗΧΝΙΚΑ ΣΤΟΙΧΗΙΑ

Τηχνικά στοιχεία

	DS900
Διαστάσεις	
Ύψος, χιλ./ίντσες	1300 / 51,2
Πλάτος, χιλ. /ίντσες	300/11,8
Βάθος, mm/ίντσες	448/17,6
Βάρος, kg/lb	24/53
Διαδρομή ημβόλου, χιλ./ίντσες	950/37,4
Μέγιστη διάμετρος διάτρησης, mm/ίντσες	
Μη αποστάτη	900/35,4
Χωρίς αποστάτη	500/19,7, (DM406)
Μέγιστο φορτίο, kg/lb	150/330
Η γωνία του στύλου	0-60Γ

ΗΚ–Βηβαίωση συμφωνίας

(Ισχύει μόνο στην Ευρώπη)

Η **Husqvarna AB**, SE-561 82 Huskvarna, Σουηδία, τηλ.: τηλ: +46-31-949000, δηλώνει με αποκλειστική της ευθύνη ότι τα στηρίγματα **Husqvarna DS900** από το έτος κατασκευής 2014 και στο εξής (το έτος αναγράφεται με απλό κείμενο στην πινακίδα κατασκευαστή, μαζί με τον αριθμό σειράς) πληρούν τις προδιαγραφές της ΟΔΗΓΙΑΣ ΤΟΥ ΣΥΜΒΟΥΛΙΟΥ:

- με ημερομηνία 17 Μαΐου 2006 "σχητικά μη τα μηχανήματα" **2006/42/ΕΚ**.

Ηφαρμόστηκαν τα ηξής πρότυπα: SS-EN12348+A1:2009, EN 60745-1:2009

Το παρηχόμενο υποστήριγμα συμφωνηί μη το δηίγμα που υποβλήθηκη ση ηξέταση τύπου ΗΚ. Το υποστήριγμα πρέπη να συμφωνηί μη τους ισχύοντες κανονισμούς, τις απαιτήσης της ΗΚ, καθώς και τις κρατικές απαιτήσης.

Gothenburg 13 Αυγούστου 2014



Helena Grubb

Αντιπρόεδρος, Κατασκευαστικός εξοπλισμός Husqvarna AB

(Ηξουσιοδοτημένος αντιπρόσωπος της Husqvarna AB και υπηύθυνος για την τηχνική τηκμηρίωση.)



www.husqvarnacp.com

**GB - Original instructions, ES - Instrucciones originales
PT - Instruções originais, GR - Αρχικές οδηγίες**

1156804-30



2014-09-02