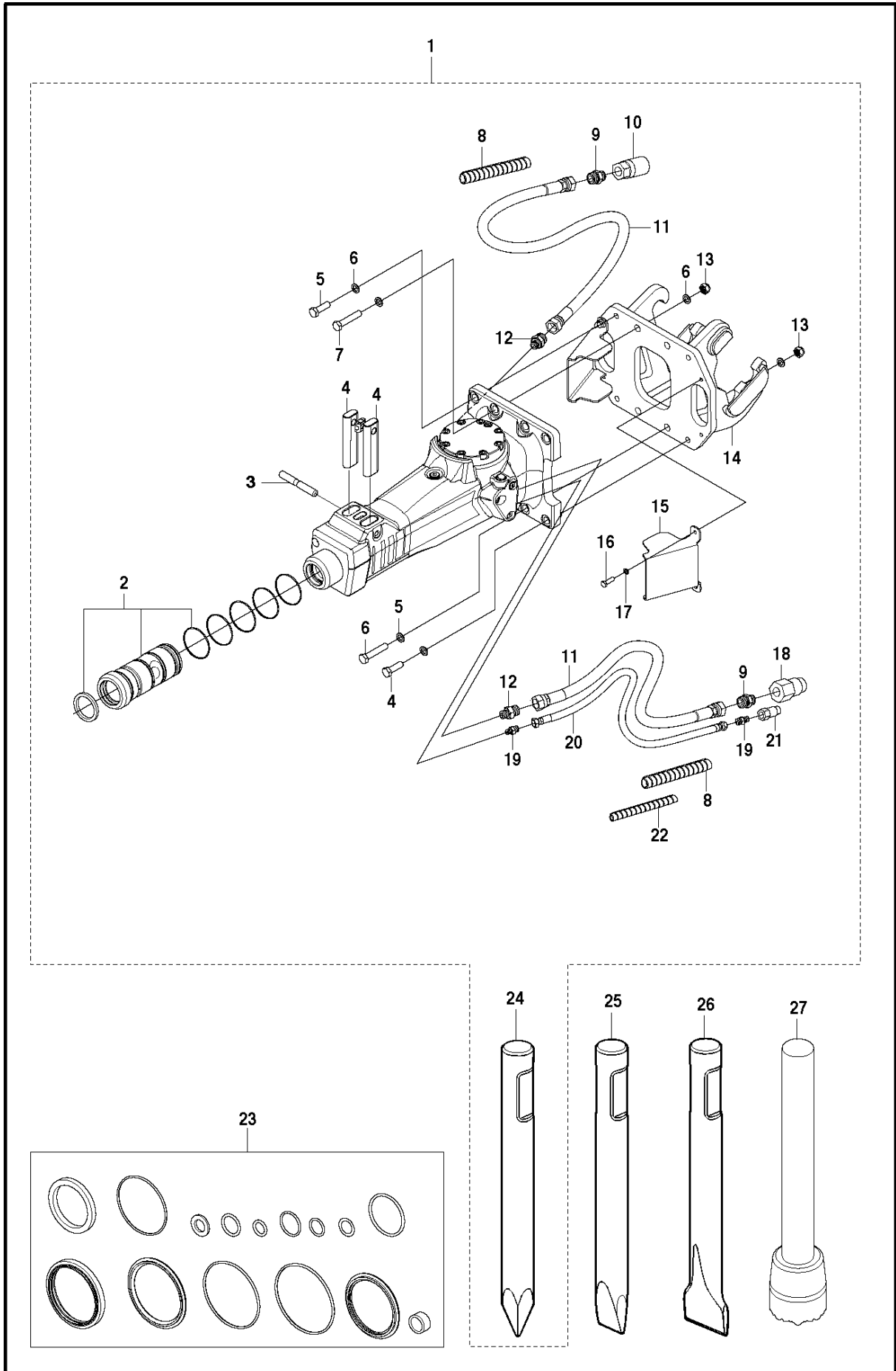




SPARE PARTS LIST

ACCESSORIES AND TOOLS

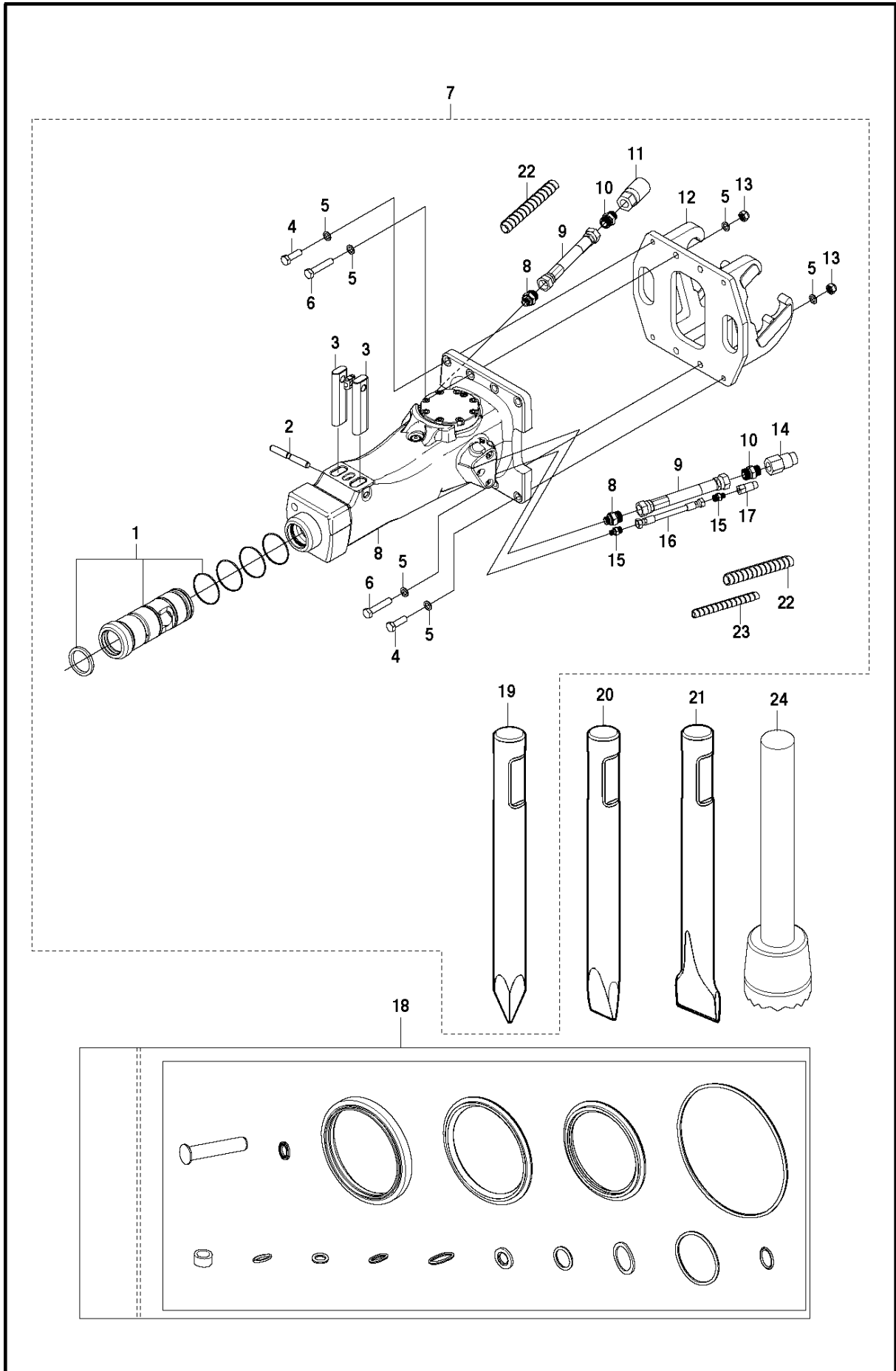
HYDRAULIC BREAKER



HYDRAULIC BREAKER SB152

HYDRAULIC BREAKER

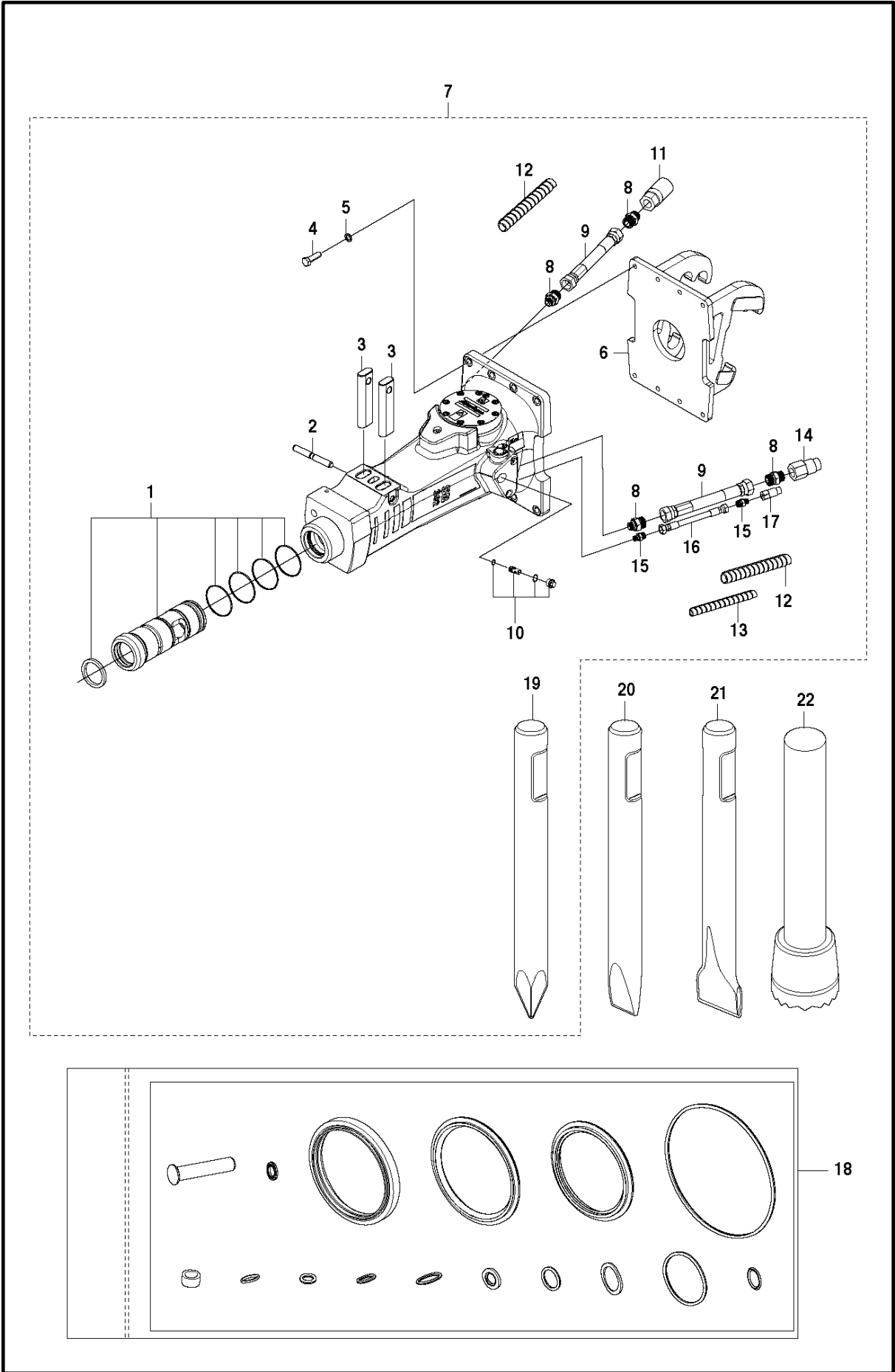
Ref	Part No	Description	Remark	QTY KIT	
1	576 18 91-01	HAMMER		1	
2	576 63 68-01	BUSHING		1	1
3	576 63 69-01	LOCKING PIN		1	1
4	576 63 70-01	RETAINER		2	1
5	522 66 79-01	SCREW EHHM		4	1
6	522 48 73-01	WASHER		12	1
7	522 80 89-01	SCREW EHHM		4	1
8	523 04 34-03	PROTECTIVE SPIRAL		2	1
9	574 24 61-01	ADAPTER		2	1
10	510 26 81-01	QUICK COUPLING		1	1
11	574 24 57-05	HOSE ASSY		2	1
12	574 24 60-01	ADAPTER		2	1
13	522 66 97-01	LOCK NUT		4	1
14	576 17 51-01	ADAPTER		1	1
15	525 84 02-01	PROTECTION		2	1
16	522 66 72-02	SCREW IHSCM		4	1
17	522 67 17-01	WASHER		4	1
18	510 26 80-01	QUICK COUPLING		1	1
19	510 24 57-01	ADAPTER		2	1
20	510 25 18-17	HOSE ASSY		1	1
21	510 26 78-01	QUICK COUPLING		1	1
22	523 04 33-03	PROTECTIVE COVER		1	1
23	576 63 71-01	SEAL		1	
24	576 63 35-01	HAMMER	Moil Point, working length 30 cm	1	1
25	576 63 35-02	HAMMER	Chisel, working length 30 cm	1	
26	576 63 35-03	HAMMER	Wide Chisel, working length 27 cm	1	
27	590 15 25-01	TOOL		1	



HYDRAULIC BREAKER SB202

HYDRAULIC BREAKER

Ref	Part No	Description	Remark	QTY	KIT
1	576 63 68-02	BUSHING		1	7
2	576 63 69-02	LOCKING PIN		1	7
3	576 63 70-02	RETAINER		2	7
4	522 66 79-01	SCREW EHHM		4	7
5	522 48 73-01	WASHER		12	7
6	522 66 75-01	SCREW EHHM		4	7
7	522 48 24-01	HAMMER		1	
7	580 90 21-01	HAMMER	Heat Resistant Hammer	1	
8	510 25 87-01	ADAPTER		2	7
9	510 19 51-02	HOSE ASSY		2	7
10	510 26 46-01	ADAPTER		2	7
11	510 26 81-01	QUICK COUPLING		1	7
12	510 27 37-01	ADAPTER		1	7
13	522 66 97-01	LOCK NUT		4	7
14	510 26 80-01	QUICK COUPLING		1	7
15	505 26 84-01	ADAPTER		2	7
16	510 17 44-07	HOSE ASSY		1	7
17	510 26 78-01	QUICK COUPLING		1	7
18	576 63 71-02	SEAL		1	
19	522 86 95-01	TOOL	Moil Point, working length 32 cm	1	7
20	522 86 95-02	TOOL	Chisel, working length 32 cm	1	
21	522 86 95-03	TOOL	Wide Chisel, working length 37 cm	1	
22	523 04 32-02	PROTECTIVE SPIRAL		2	
23	523 04 33-02	PROTECTIVE SPIRAL		1	
24	590 15 25-02	TOOL		1	



HYDRAULIC BREAKER SB302

HYDRAULIC BREAKER

Ref	Part No	Description	Remark	QTY	KIT
1	586 49 84-01	BUSHING		1	7
2	586 49 85-01	LOCKING PIN		1	7
3	586 49 86-01	RETAINER		2	7
4	522 66 79-01	SCREW EHHM		8	7
5	522 48 73-01	WASHER		8	7
6	575 83 11-01	HITCH		1	7
7	586 50 13-01	HAMMER		1	
7	587 05 02-01	HAMMER	Heat Resistant Hammer	1	
8	510 26 46-01	ADAPTER		4	7
9	510 19 51-02	HOSE ASSY		2	7
10	586 51 23-01	VALVE		1	7
11	510 26 81-01	QUICK COUPLING		1	7
12	523 04 32-02	PROTECTIVE SPIRAL		2	7
13	523 04 33-02	PROTECTIVE SPIRAL		1	7
14	510 26 80-01	QUICK COUPLING		1	7
15	505 26 84-01	ADAPTER		2	7
16	510 17 44-07	HOSE ASSY		1	7
17	510 26 78-01	QUICK COUPLING		1	7
18	586 51 12-01	SEAL KIT		1	
19	586 50 10-01	TOOL	Moil Point, working length 47 cm	1	7
20	586 50 11-01	TOOL	Chisel, working length 47 cm	1	
21	586 50 12-01	TOOL	Wide Chisel, working length 44 cm	1	
22	590 15 25-03	TOOL		1	