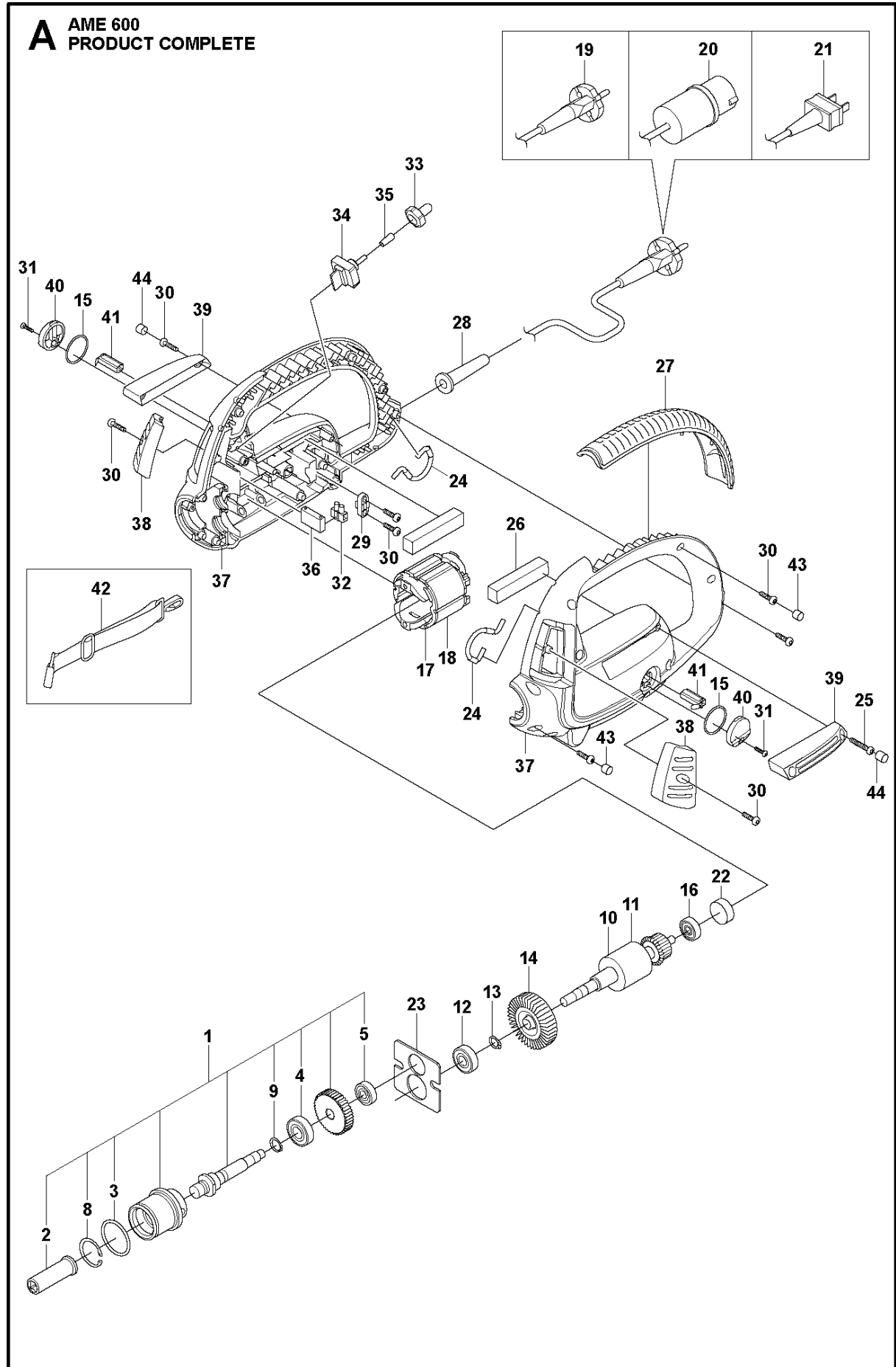




SPARE PARTS LIST

DRIVE UNITS

AME 600, 967933101, 967933801,
2019-06



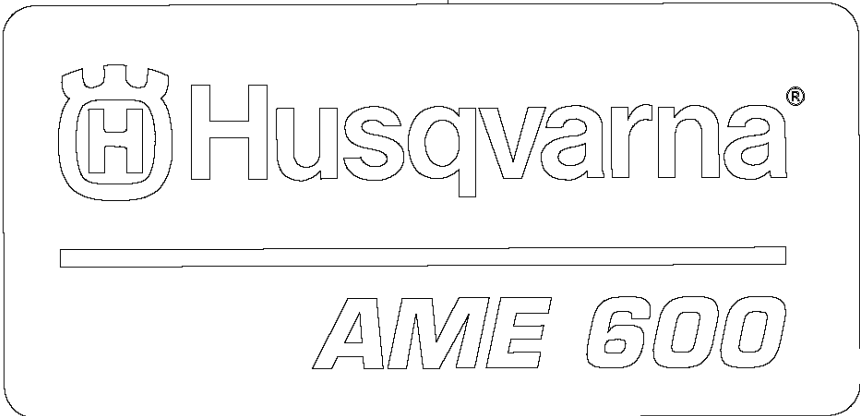
PRODUCT COMPLETE

AME 600, 967933101, 967933801, 2019-06

Ref	Part No	Description	Remark	QTY KIT	
1	594 63 03-01	SPINDLE	Spindle, complete	1	
2	594 37 52-01	SCREW		1	1
3	595 35 51-01	O-RING	26.64x2.62 NBR 70 shore	1	1
4	595 35 43-01	BALL BEARING	6001 2RSH C3	1	1
5	595 11 58-01	BALL BEARING	608 2Z C3	1	1
8	595 35 34-01	CIRCLIP	28x1.2 DIN 472	1	1
9	595 35 32-01	CIRCLIP	12x1 DIN 471	1	1
10	594 62 90-01	ROTOR	Rotor 230V	1	
11	595 20 18-01	ROTOR	Rotor 115V	1	
12	594 12 63-01	BALL BEARING	629	1	
13	595 35 33-01	CIRCLIP	D10 DIN471	1	
14	595 20 22-01	FAN		1	
15	595 35 49-01	O-RING	26x1.5 NBR 70 shore	2	
16	594 12 64-01	BALL BEARING	607	1	
17	594 62 91-01	STATOR	Stator 230V	1	
18	595 47 72-01	STATOR	Stator 115V	1	
19	594 62 96-01	CABLE	Cable with plug EU	1	
20	595 47 73-01	CABLE	Cable with plug UK	1	
21	595 47 74-01	CABLE	Cable with plug USA	1	
22	594 62 92-01	SLEEVE		1	
23	595 20 19-01	PLATE		1	
24	594 62 93-01	BELT		2	
25	595 03 54-01	SCREW	PT K30x12 mm WN1452 A4S	2	
26	594 62 95-01	FILTER		2	
27	594 63 01-01	HANDLE		1	
28	594 62 97-01	SLEEVE		1	
29	595 47 75-01	CABLE		1	
30	594 12 15-01	SCREW	PT K40x16 mm WN1452 A4F	17	
31	594 12 16-01	SCREW	PT K40x25 mm WN1452 A4F	2	
32	594 54 57-01	JUNCTION BOX		2	
33	594 37 57-01	CAP		1	
34	594 37 51-01	SWITCH		1	
35	594 37 70-01	SWITCH		1	
36	594 62 98-01	CAPACITOR		1	
37	595 93 32-01	MOTOR HOUSING	Motor housing set, left and right	1	
38	595 47 76-01	COVER	Front cover set, left and right	1	
39	594 86 23-01	COVER	Rear cover set, left and right	1	
40	594 63 00-01	PLUG	Brush plug set, left and right	1	
41	594 63 02-01	CARBON BRUSH	Brush set, left and right	1	
42	594 62 94-01	STRAP		1	
43	598 48 85-01	SEALING PLUG	Sealing plug 5 mm	7	
44	598 48 85-02	SEALING PLUG	Sealing plug 10 mm	3	

B AME 600
DECALS

1



DECALS

AME 600, 967933101, 967933801, 2019-06

Ref	Part No	Description	Remark	QTY KIT
1	598 48 87-01	DECAL	Husqvarna & Model decal	2