

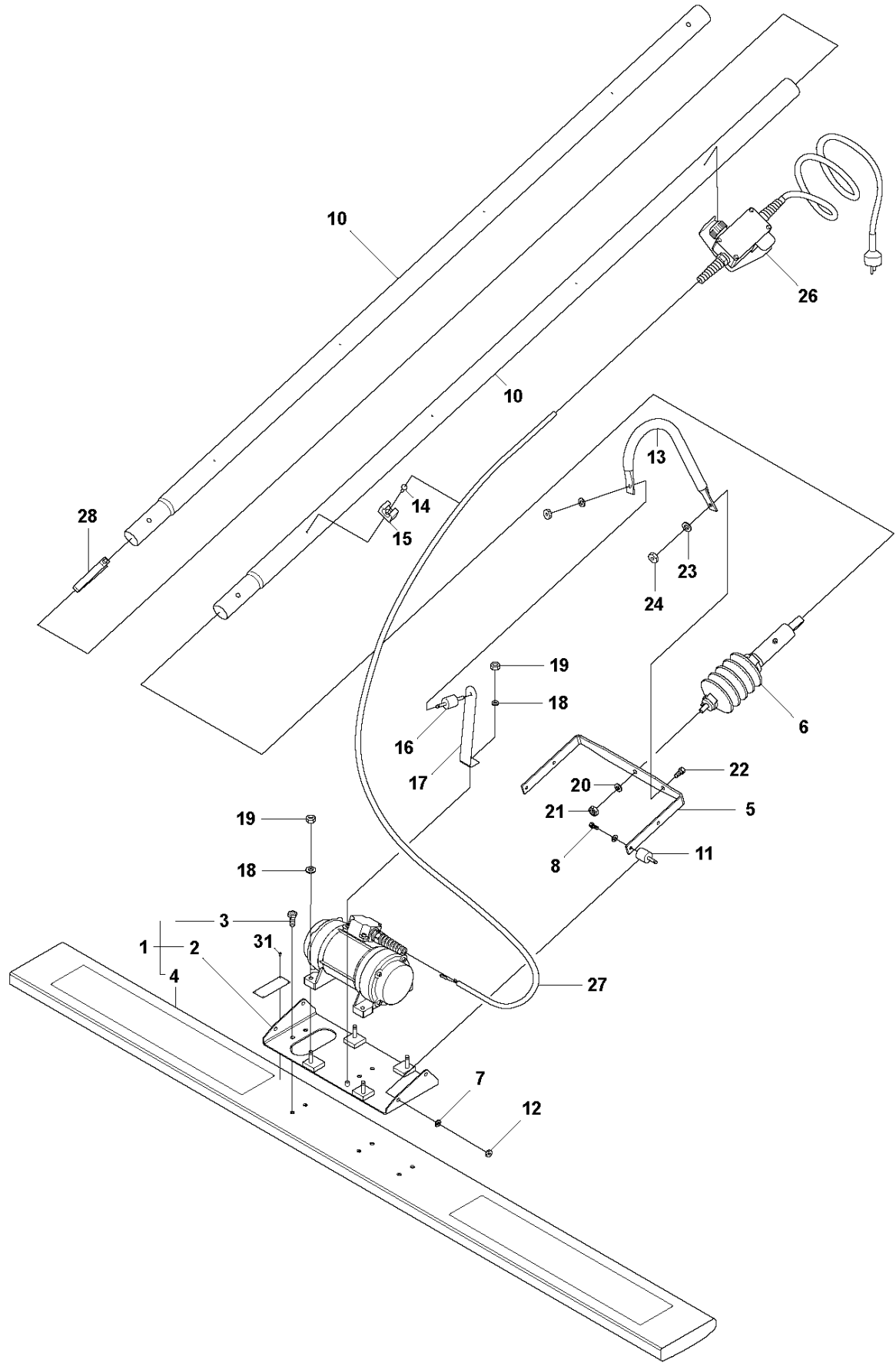


SPARE PARTS LIST

BEAMS & SCREEDS

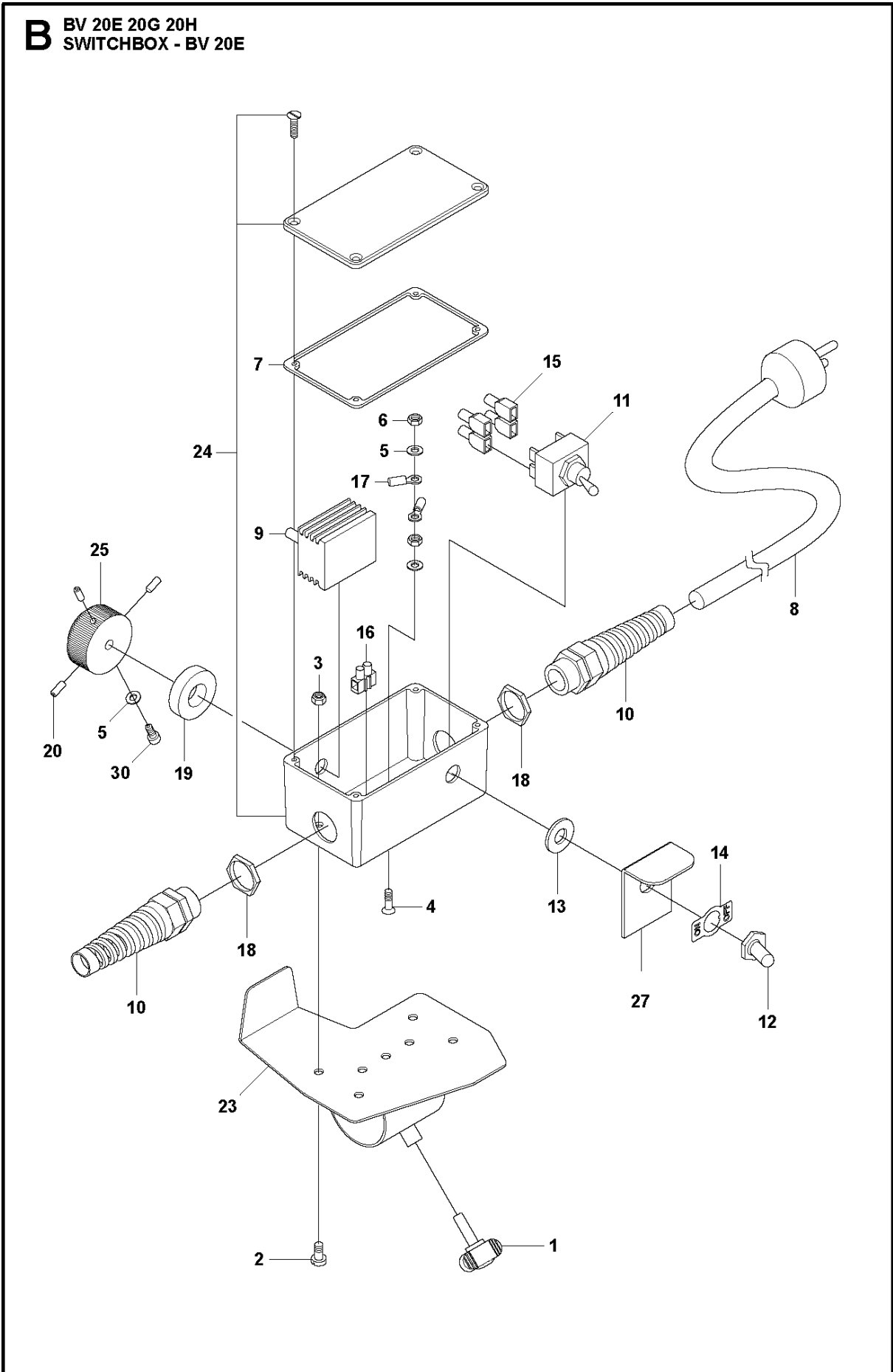
BV 20E, BV 20G, BV20H, 967928701,
967856201, 967856101, 2019-05

A BV 20E 20G 20H
BV 20E

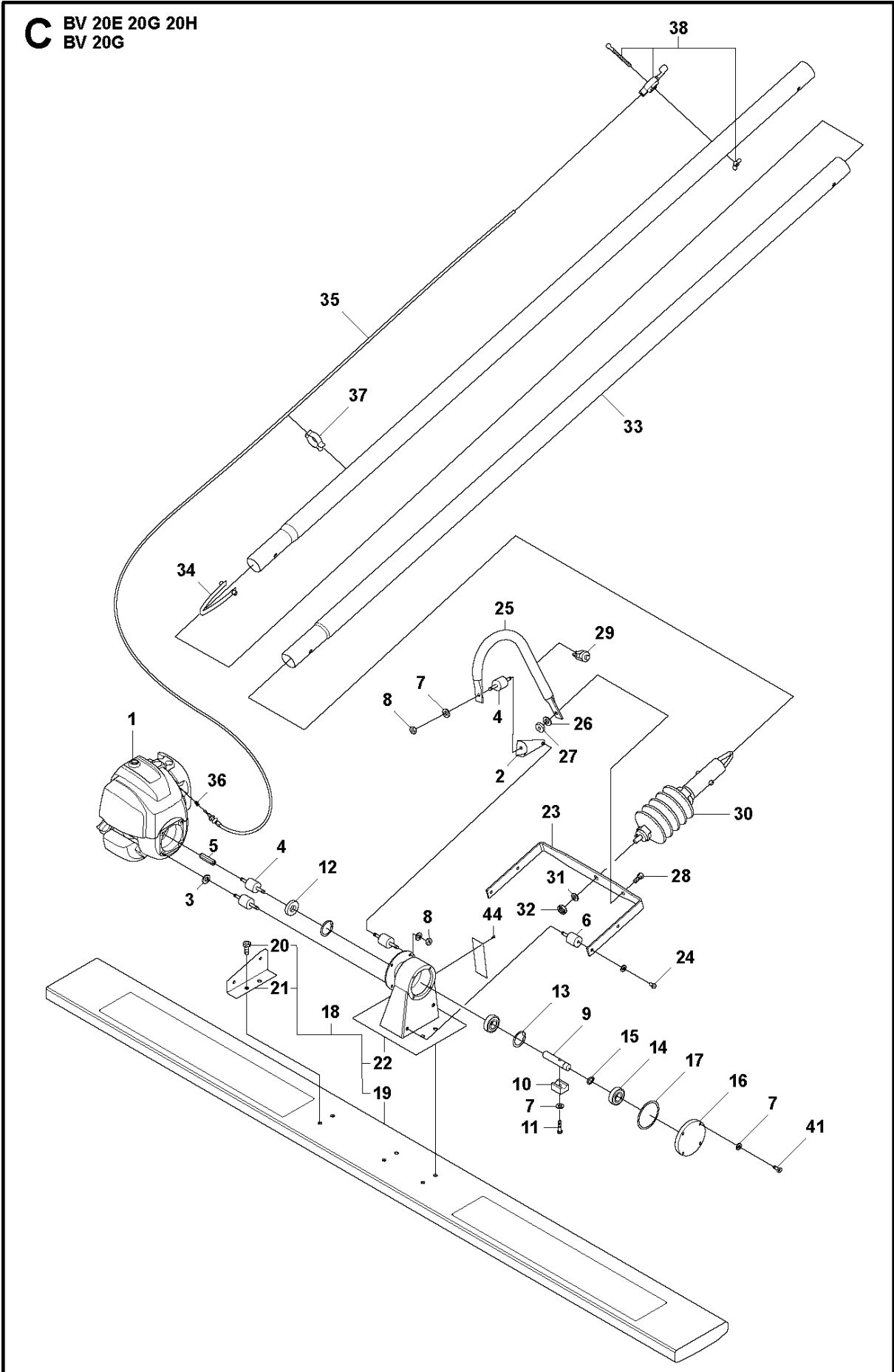


Ref	Part No	Description	Remark	QTY KIT	
1	595 19 99-01	PROFILE	Profile, complete	1	
2	595 49 97-01	HOLDER		1	1
3	594 11 79-01	SCREW	M8x20 din 933 8.8 zn	6	1
4	594 24 47-01	PROFILE	Profile 2 m	1	1
5	594 24 49-01	FORK		1	
6	594 23 70-01	UNIT	Tilting device	1	
7	595 15 45-01	WASHER		10	
8	595 34 42-01	SCREW	M6x12 - 8.8 fzb ISO 4017	4	
10	597 82 73-01	HANDLE TUBE	HANDLE TUBE BV20E/BFE	2	
11	594 22 55-01	BLOCK		4	
12	595 28 75-01	HEXAGON NUT	M6 fzb. ISO 4032	6	
13	595 27 88-01	HANDLE		1	
14	597 82 74-01	SCREW	3,5X16 DIN7981 C	8	
15	595 44 41-01	CLIP		8	
16	594 22 77-01	DAMPER	25x25 M6x15	1	
17	595 49 98-01	PLATE		1	
18	595 03 66-01	WASHER	M8 din 125b zn	5	
19	595 35 23-01	NUT	M08 ISO7040	5	
20	595 15 44-01	WASHER	NORD-LOCK M10	1	
21	595 02 94-01	NUT	M10 DIN 934-8 Zn	1	
22	595 11 01-01	SCREW	M8 x 16 mm DIN933 din 933 - 8.8 zn	1	
23	595 04 39-01	WASHER	NORD-LOCK M8	1	
24	595 03 57-01	NUT	M8 din 934-8 zn	1	
26	594 24 22-01	SWITCH		1	
27	594 22 30-03	CABLE		1	
28	594 22 80-01	CLIP		1	
31	594 79 32-01	RIVET	RIVET DIA.2,4X6 DIN7337A	4	

B BV 20E 20G 20H
SWITCHBOX - BV 20E

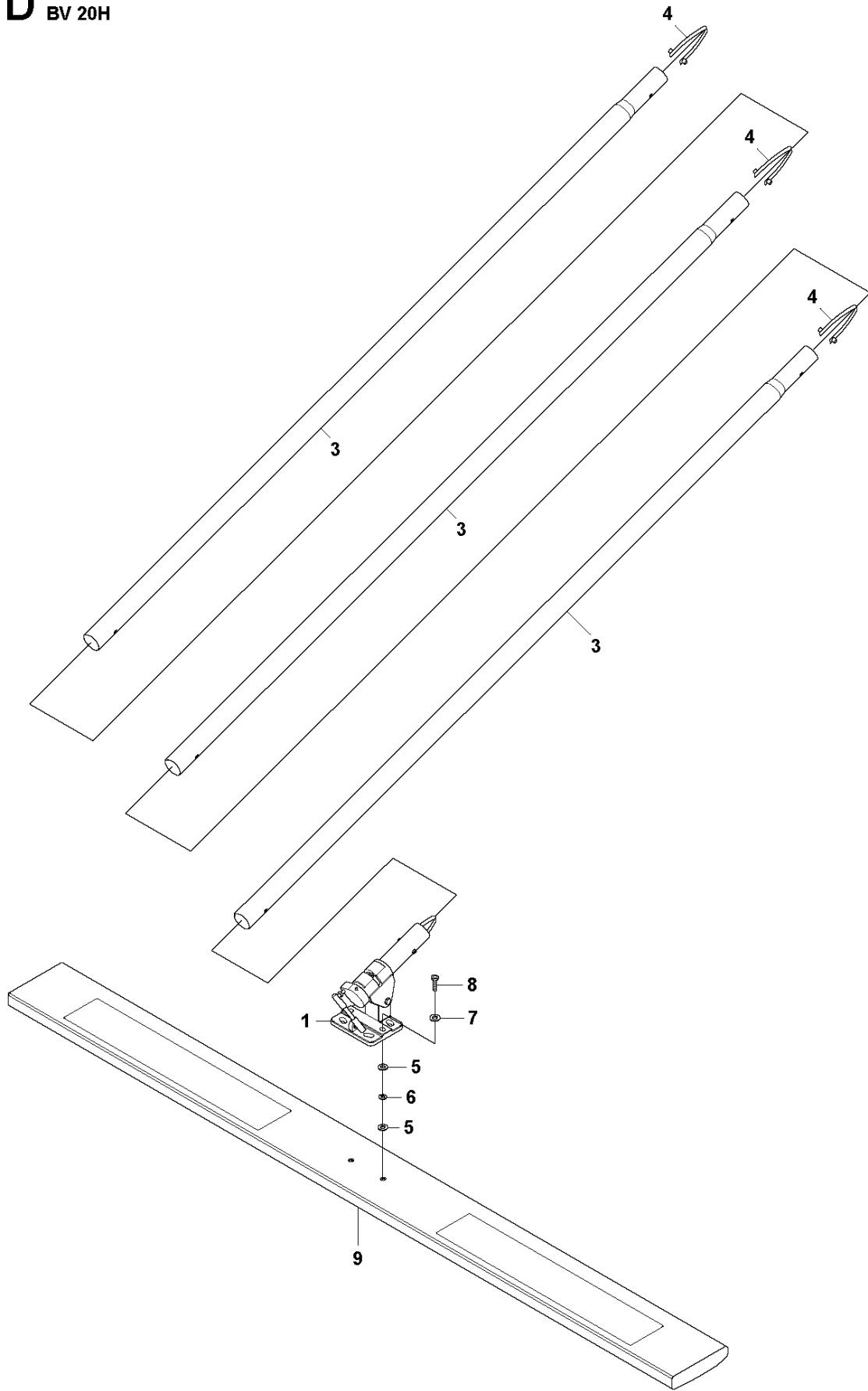


Ref	Part No	Description	Remark	QTY KIT
1	595 13 45-01	KNOB	WN795 25-M6x20	1
2	595 88 85-01	SCREW	M5X10 CL4.8 DIN84A	4
3	595 35 22-01	LOCK NUT	M5 DIN 6924	4
4	597 82 74-02	SCREW	FS M4x14 CL4.8 DIN963A	1
5	595 99 28-01	WASHER	4,3 x 8 x 0,8	3
6	595 99 25-01	NUT	M04x0.70-8, A2K DIN934	2
7	595 39 23-01	GASKET		1
8	595 39 19-01	CABLE		1
9	594 68 44-01	REGULATOR		1
10	594 79 22-01	NUT		2
11	594 77 20-01	SWITCH		1
12	594 38 49-01	DIAPHRAGM		1
13	594 38 50-01	SEALING WASHER		1
14	597 82 78-01	PLATE		1
15	595 15 33-01	TERMINAL		4
16	594 54 57-01	JUNCTION BOX		1
17	594 85 36-01	UNIT		3
18	595 44 72-01	NUT	595217501 - from the old SPL	2
19	594 22 57-01	WASHER	WASHER Rubber	1
20	597 82 74-03	SCREW	HC M4 x 10 mm ISO4028	3
23	595 13 62-01	HOLDER		1
24	595 13 63-01	SWITCH		1
25	594 69 67-01	BUTTON	595443401-4700047667	1
27	594 78 19-01	PROTECTIVE PLATE		1
30	596 78 69-01	SCREW	M4x10 CL8.8 DIN912	1



Ref	Part No	Description	Remark	QTY	KIT
1	594 41 29-01	ENGINE		1	
2	594 25 32-01	BRACKET		1	
3	597 82 75-01	WASHER	6,4x17x3 DIN7349 WASHER	2	
4	594 22 77-01	DAMPER		6	
5	594 25 31-01	JOINT		1	
6	594 22 55-01	BLOCK		4	
7	595 15 45-01	WASHER	Nord-Lock M6	17	
8	595 28 75-01	HEXAGON NUT	M6 DIN934	8	
9	594 24 80-01	SHAFT		1	
10	594 24 82-01	WEIGHT		1	
11	595 46 63-01	SCREW	M6 x 25 mm DIN933 zn	1	
12	594 22 10-01	SEAL	A 15 x 35 x 7 mm, 0.59 x 1.37 x 0.27 in.	1	
13	594 26 60-01	RING	φ35X1.5 DIN472 RING Snap	2	
14	594 55 08-01	BEARING		2	
15	594 27 79-01	RETAINER RING	15 x 1.5 mm DIN471, 0.59 x 0.06 in.	1	
16	595 27 66-01	FLANGE		1	
17	594 78 71-01	O-RING	O-ring φ59,5 x 3,0 70SH	1	
18	594 24 48-01	PROFILE	Profile, complete	1	
19	594 24 47-01	PROFILE	Profile 2 m	1	18
20	594 11 79-01	SCREW	M8x20 din 933 8.8 zn	6	18
21	597 82 76-01	PLATE		1	18
22	597 82 77-01	HOLDER		1	18
23	594 24 49-01	FORK		1	
24	595 05 56-01	SCREW	M6 x 10 mm DIN933	4	
25	595 27 88-01	HANDLE		1	
26	595 04 39-01	WASHER	Nord-Lock M8	1	
27	595 03 57-01	NUT	M8 din 934-8 zn	1	
28	595 11 01-01	SCREW	M8 x 16 mm DIN933 din 933 - 8.8 zn	1	
29	594 22 98-01	KNOB	Kill switch	1	
30	594 23 70-01	UNIT	Tilting device	1	
31	595 15 44-01	WASHER	Nord-Lock M10	1	
32	595 02 94-01	NUT	M10 DIN 934-8 Zn	1	
33	595 47 59-01	HANDLE		1	
34	594 22 80-01	CLIP		1	
35	594 25 33-01	WIRE		1	
36	594 68 37-01	SPRING		1	
37	594 23 09-01	BOX		4	
38	594 24 83-01	LEVER	Throttle lever, complete	1	
41	595 03 32-01	SCREW	M6x16 8.8 A2K DIN933	4	
44	594 79 32-01	RIVET		1	
47	595 02 95-01	HANDLE		1	

D BV 20E 20G 20H
BV 20H

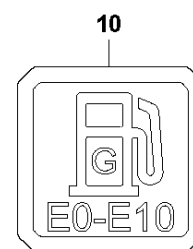
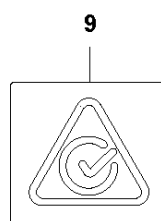
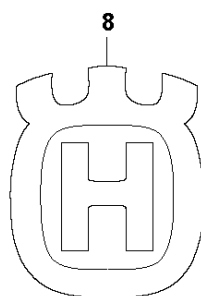
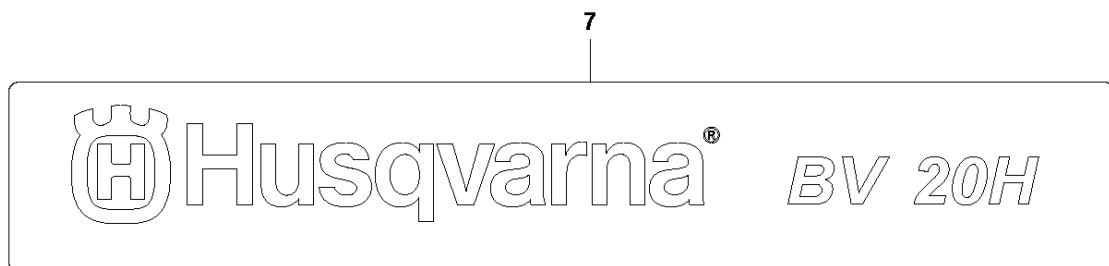
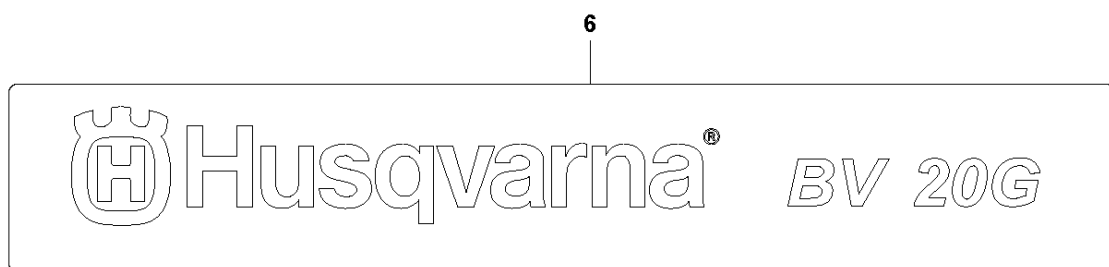
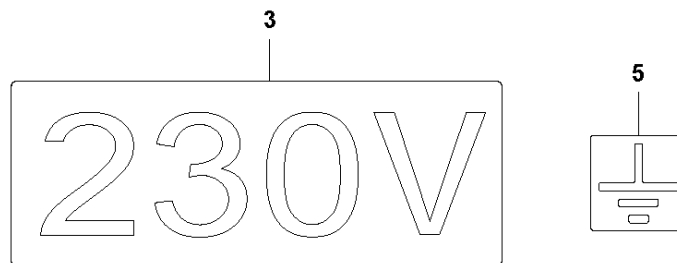
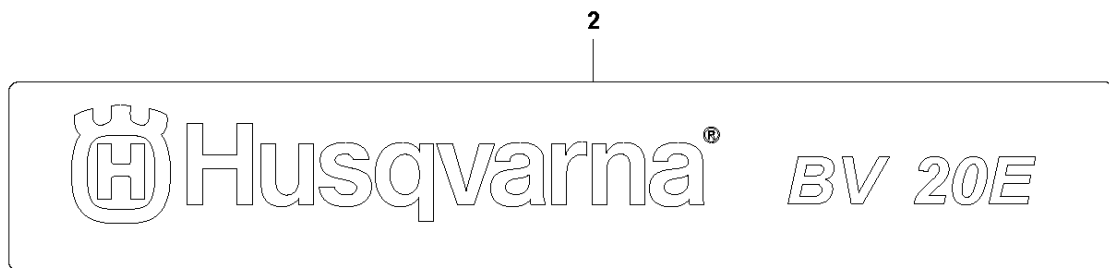
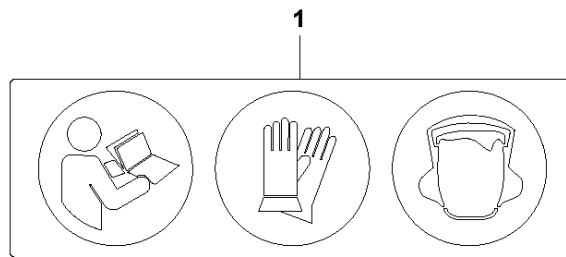


BV 20H

BV 20E, BV 20G, BV20H, 967928701, 967856201, 967856101, 2019-05

Ref	Part No	Description	Remark	QTY KIT
1	594 22 78-01	HEAD		1
3	595 02 95-01	HANDLE		3
4	594 22 80-01	CLIP		3
5	595 35 46-01	WASHER	bond.seal USS 10,37- 15,88-2,03	4
6	595 03 66-01	WASHER	M8 din 125b zn	2
7	595 04 39-01	WASHER	NORD-LOCK M8	2
8	595 34 43-01	SCREW	M8x30 DIN 933-8.8 FZB	2
9	595 13 64-01	PROFILE	2m	1

E BV 20E 20G 20H
DECALS



DECALS

BV 20E, BV 20G, BV20H, 967928701, 967856201, 967856101, 2019-05

Ref	Part No	Description	Remark	QTY KIT
1	596 63 69-01	DECAL	BV 20E	1
2	595 92 56-01	DECAL	BV 20E	2
3	594 77 91-01	LABEL	230V	1
5	595 13 49-01	LABEL		1
6	595 09 35-01	DECAL	BV 20G	2
7	595 09 95-01	DECAL	BV 20H	2
8	578 26 57-01	DECAL		1
9	596 28 02-01	DECAL	DECAL Compliance RCM	1
10	594 66 02-01	LABEL		1