

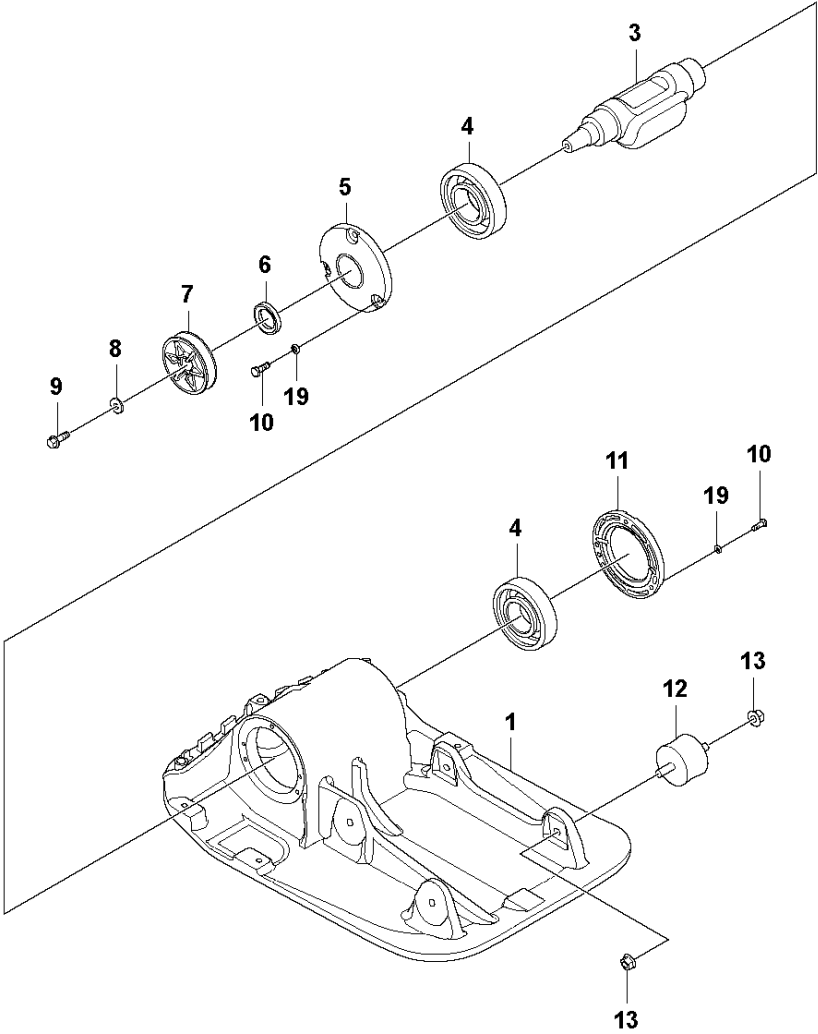


SPARE PARTS LIST

LIGHT COMPACTION

LFV 80, 2020-03

A LFV 80
GROUND PLATE INSTALLATION

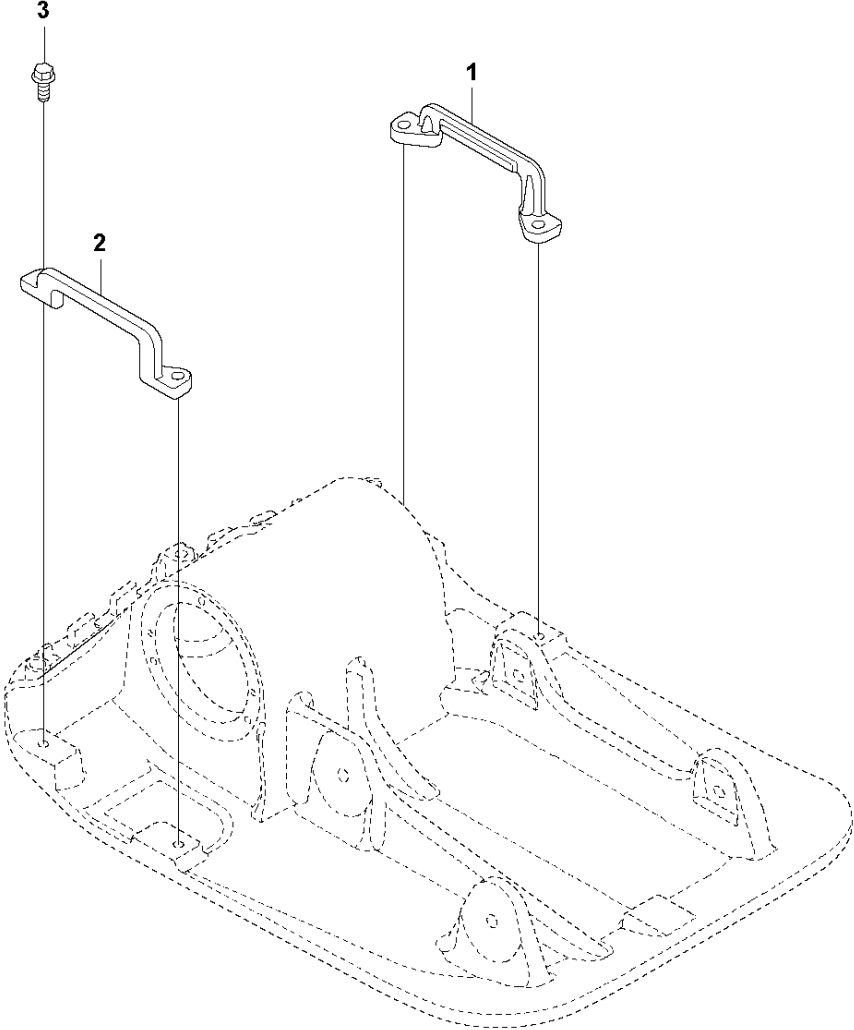


GROUND PLATE INSTALLATION

LFV 80, 2020-03

Ref	Part No	Description	Remark	QTY KIT
1	594 65 08-01	PLATE	Ground plate LFV 80	1
3	594 64 40-01	SHAFT	Eccentric	1
4	594 52 61-01	BALL BEARING		2
5	594 49 01-01	COVER		1
6	594 12 83-01	SEAL		1
7	594 48 67-01	PULLEY		1
8	594 12 34-01	WASHER	M08 8,4x22x3,0 300 HV	1
9	594 12 00-01	SCREW	M08x25, 8.8, A2K	1
10	595 03 32-01	SCREW	M6x16 8.8, A2K	6
11	594 49 02-01	COVER		1
12	594 34 19-01	ABSORBER		4
13	594 12 26-01	HEXAGON NUT	M10x10	8
19	594 12 46-01	WASHER	Nordlock NL6 M6 DIA 13.5	6

B LFV 80
LIFTING HANDLE

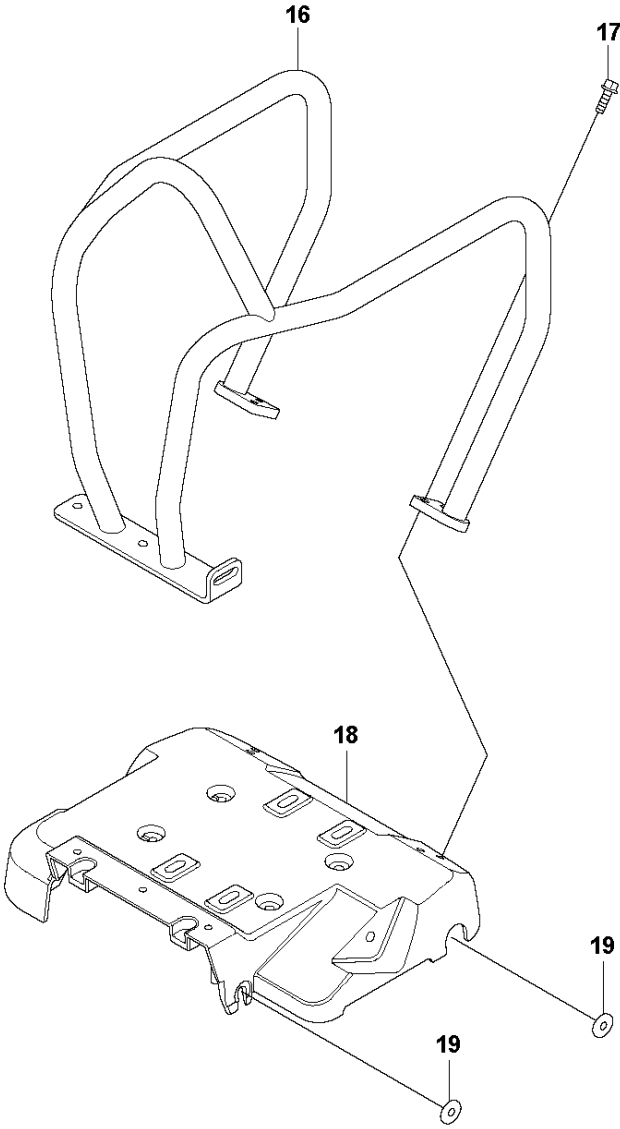


LIFTING HANDLE

LFV 80, 2020-03

Ref	Part No	Description	Remark	QTY KIT
1	594 48 68-01	HANDLE	Right	1
2	594 48 69-01	HANDLE	Left	1
3	595 28 73-01	SCREW	M8x20 mm 8.8 A2K	4

C LFV 80
FRAME & ENGINE PLATE

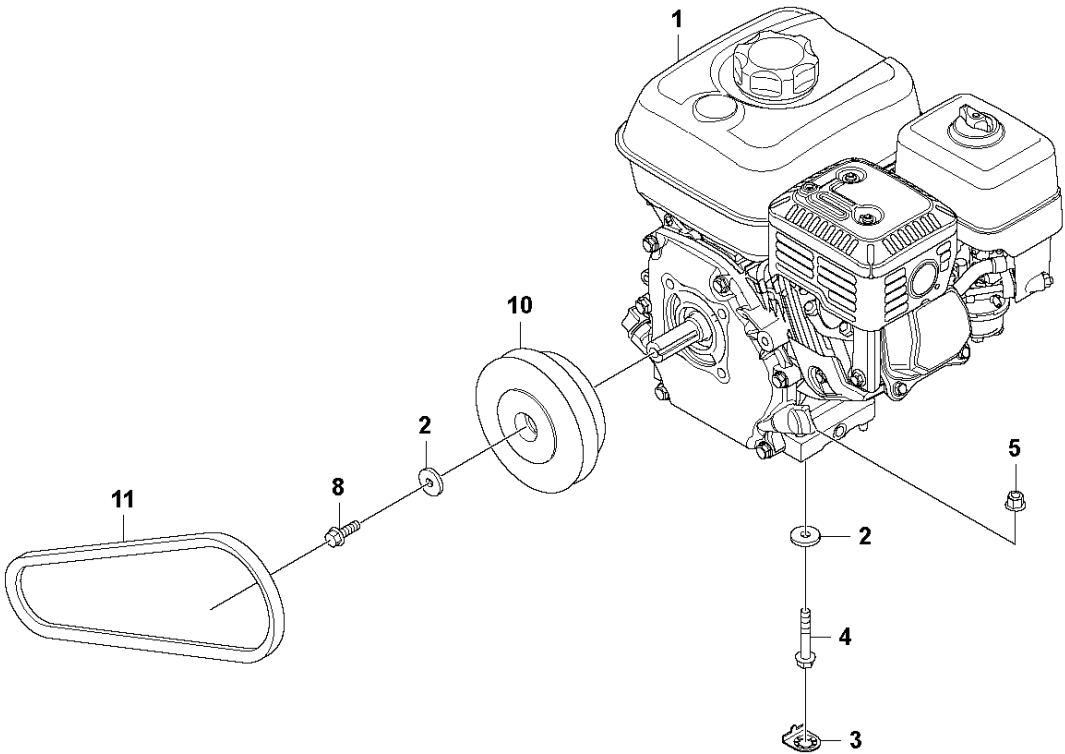


FRAME & ENGINE PLATE

LFV 80, 2020-03

Ref	Part No	Description	Remark	QTY KIT
16	594 14 46-01	FRAME		1
17	594 12 00-01	SCREW		7
18	594 14 54-01	ENGINE PLATE		1
19	594 83 85-01	WASHER	022x10,5x4,0, S355JR, UNTR	2

D LFV 80
ENGINE INSTALLATION

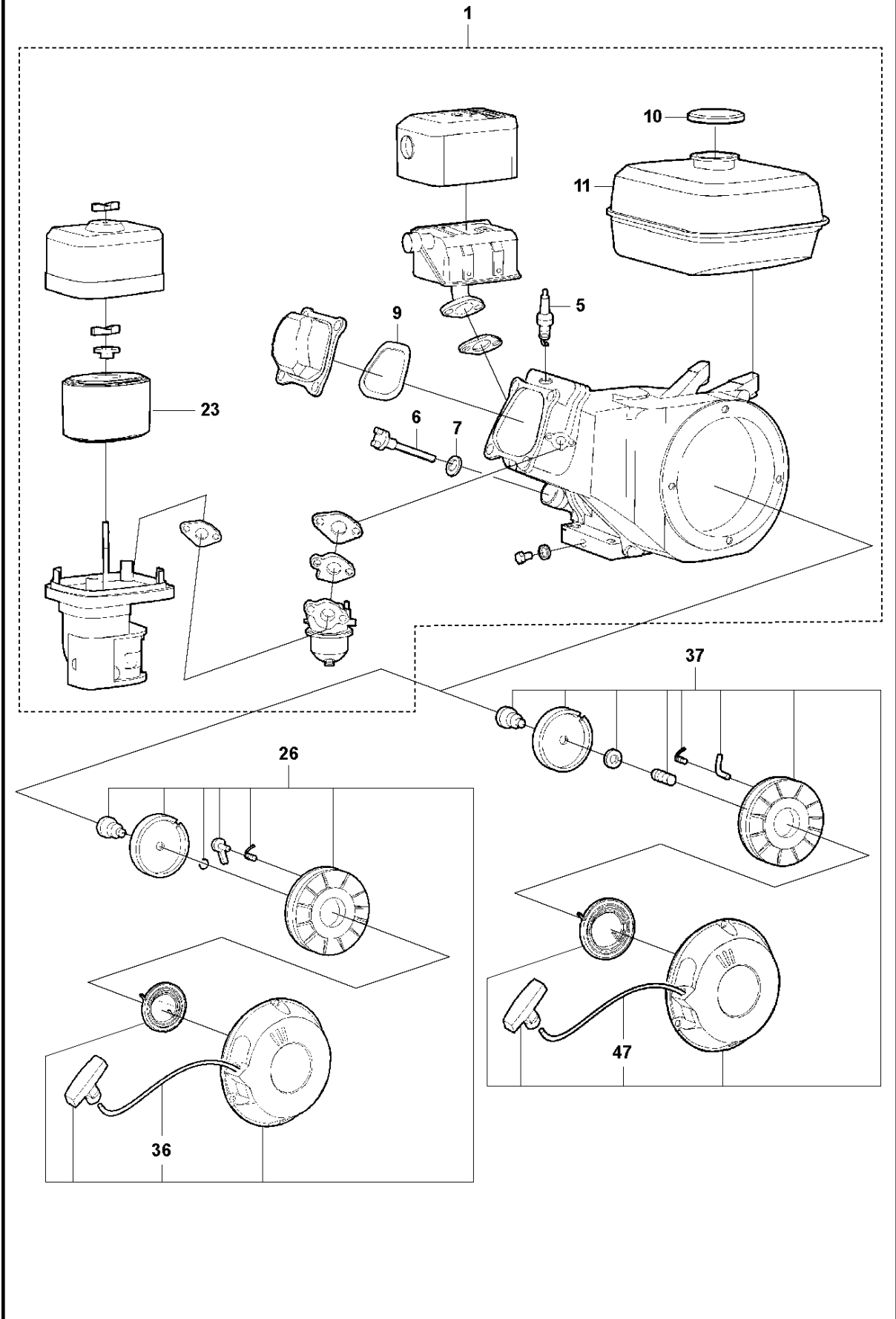


ENGINE INSTALLATION

LFV 80, 2020-03

Ref	Part No	Description	Remark	QTY KIT
2	595 11 29-01	WASHER	M08 8,4x26x4,0 300 HV	5
3	594 48 42-01	WASHER		4
4	594 49 91-01	SCREW	M8x50	4
5	594 12 30-01	LOCK NUT		4
10	598 69 70-01	CENTRIFUGAL CLUTCH		1
11	594 48 88-01	V-BELT		1

E LFV 80
HONDA GX160H2-QX-3-OH

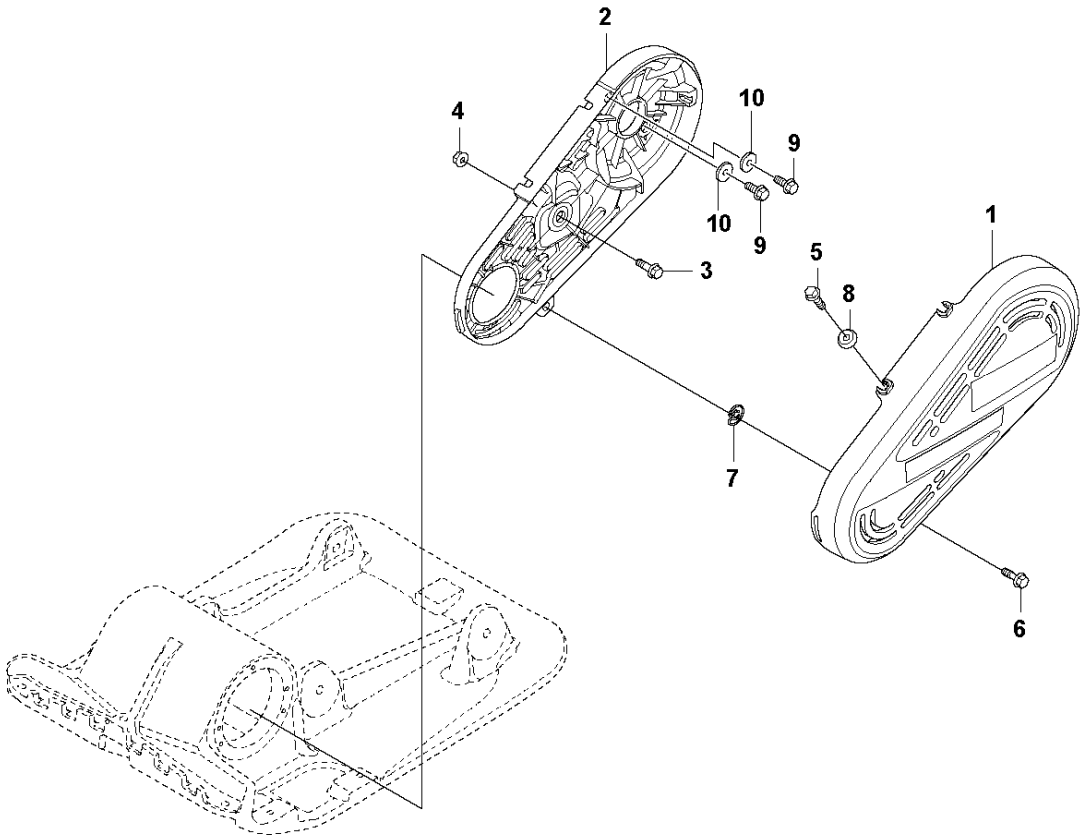


ENGINE

LFV 80, 2020-03

Ref	Part No	Description	Remark	QTY	KIT
5	594 20 40-01	SPARK PLUG	(bpr6es) (ngk)	1	1
6	594 20 38-01	OIL		1	1
7	595 37 42-01	CAP	(CAP Packing, Oil Filler)	1	1
9	595 04 88-01	GASKET		1	1
10	594 20 46-01	FUEL CAP		1	1
11	594 20 45-01	FUEL TANK		1	1
23	594 30 21-01	AIR FILTER	Delivered with outer and inner filter.	1	1
26	594 30 06-01	STARTER	Complete, Red, Valid up to engine serial number 1411005.	1	1
36	595 04 91-01	ROPE		1	26
37	594 20 48-01	STARTER	recoil *nh1*, Complete, Black, Valid from engine serial number 1411006.	1	1
47	595 04 91-01	ROPE		1	37

F LFV 80
BELT GUARD

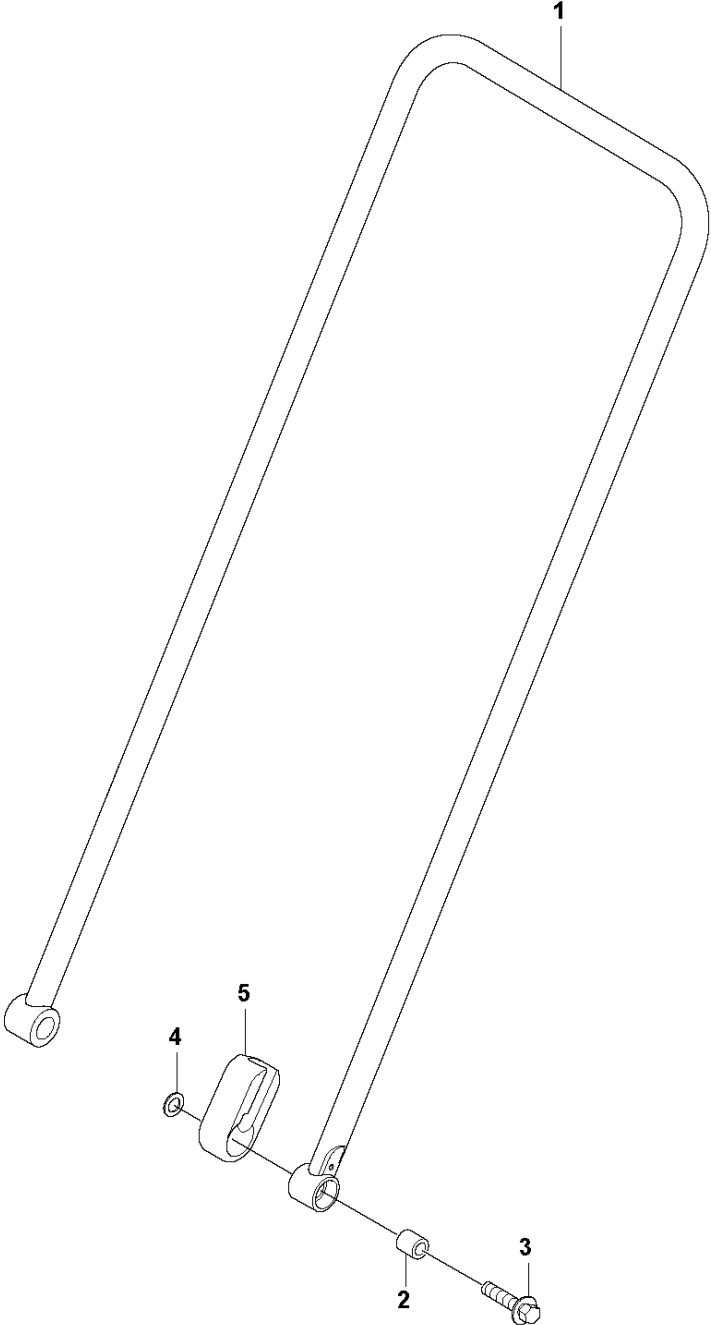


BELT GUARD

LFV 80, 2020-03

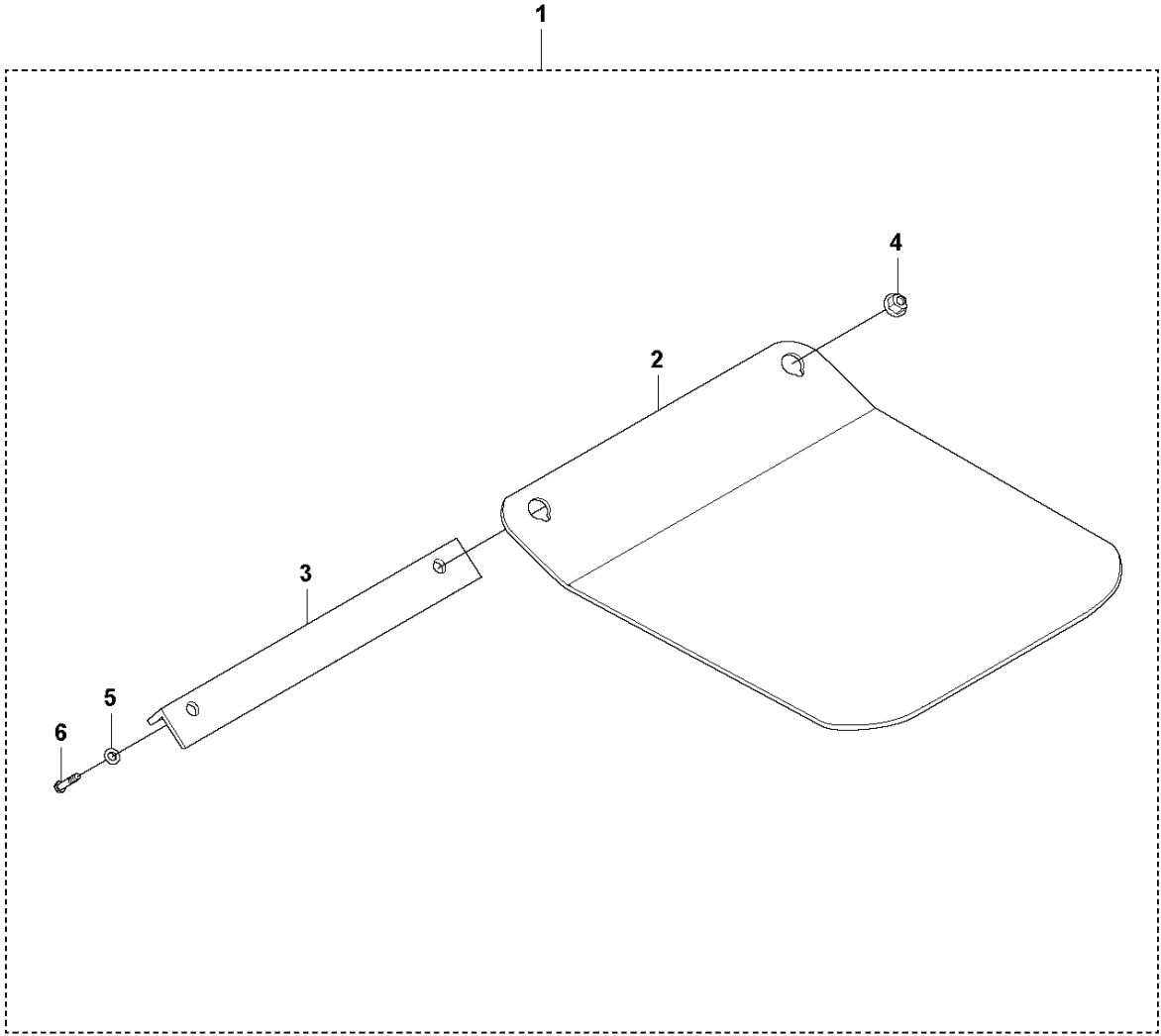
Ref	Part No	Description	Remark	QTY KIT
1	594 96 07-01	BELT GUARD	outer	1
2	594 48 31-01	BELT GUARD	inner	1
3	594 12 00-01	SCREW	M8 x 25 mm 8.8 A2K	1
4	594 12 30-01	LOCK NUT	M8 x 1.25 mm A2K	1
5	594 11 98-01	SCREW	FLANGE SCREW	3
6	594 64 80-01	SCREW	M8 x 25 mm 8.8 A2K	1
7	594 65 02-01	LOCKING SPRING		1
8	594 64 78-01	WASHER		3
10	595 03 66-01	WASHER	washer ϕ 8 din 125b zn	2

G LFV 80
HANDLE



Ref	Part No	Description	Remark	QTY KIT
1	598 69 72-01	HANDLE		1
2	594 48 03-01	BUSHING		2
3	594 53 00-01	SCREW		2
4	599 56 99-01	ABSORBER	Washer Polyurethane	2
5	594 48 04-01	RADIATOR	Shock absorber	2

H LFV 80
BLOCK PAVING PLATE KIT 420MM (16.5")

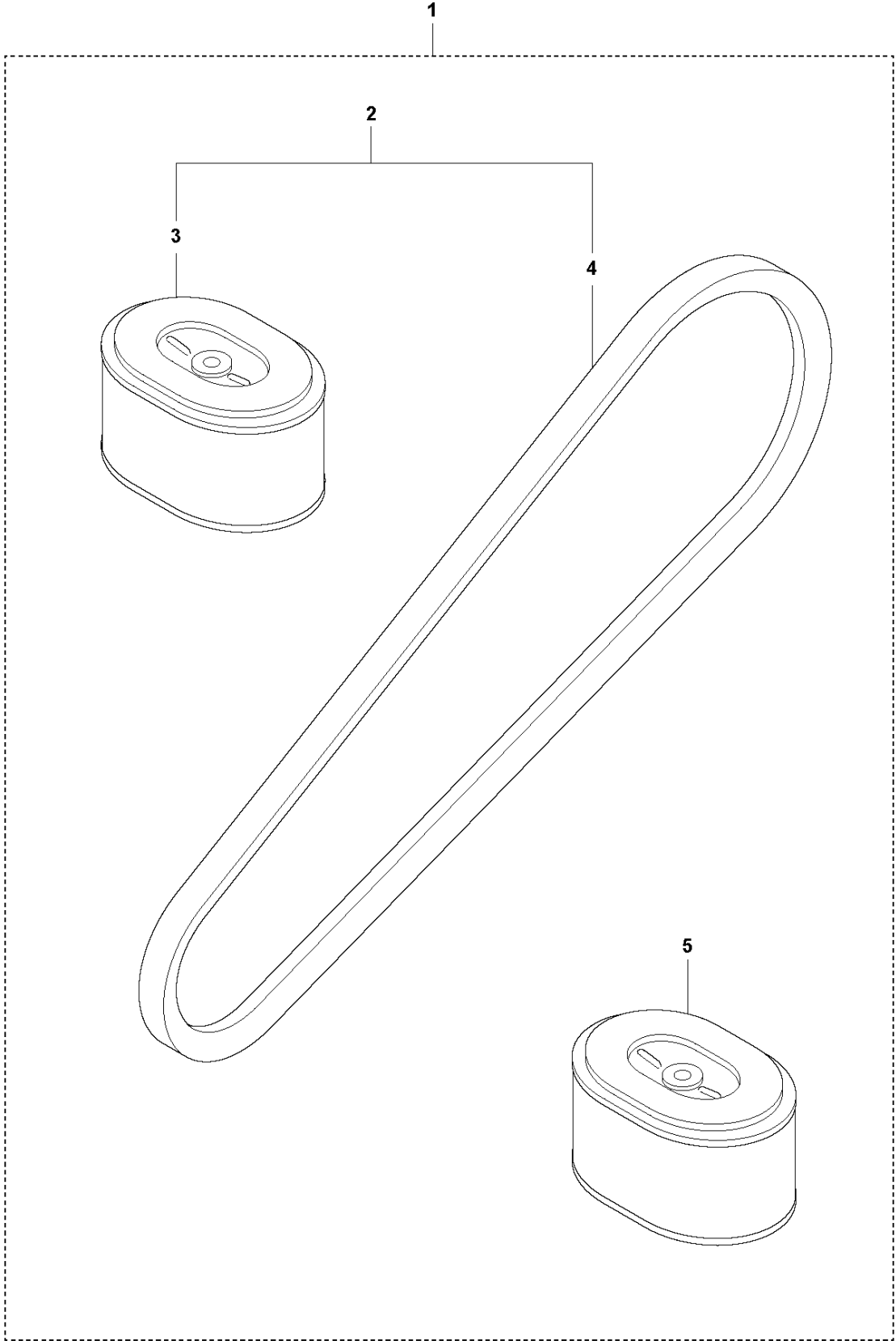


BLOCK PAVING PLATE KIT 420MM (16.5")

LFV 80, 2020-03

Ref	Part No	Description	Remark	QTY KIT	
1	594 86 81-01	BLOCK PAVING KIT	Complete	1	
2	594 48 46-01	PLATE	"Polyurethane plate, 420 mm, 16.5""	1	1
3	594 48 47-01	BRACKET		1	1
4	594 12 30-01	LOCK NUT	M8 x 1.25 mm A2K	2	1
5	595 03 66-01	WASHER	M08 8,4x16x1,5 300 HV	2	1
6	594 52 25-01	SCREW	M8 x 75 mm 8.8 A2K	2	1

J LFV 80
START UP KIT

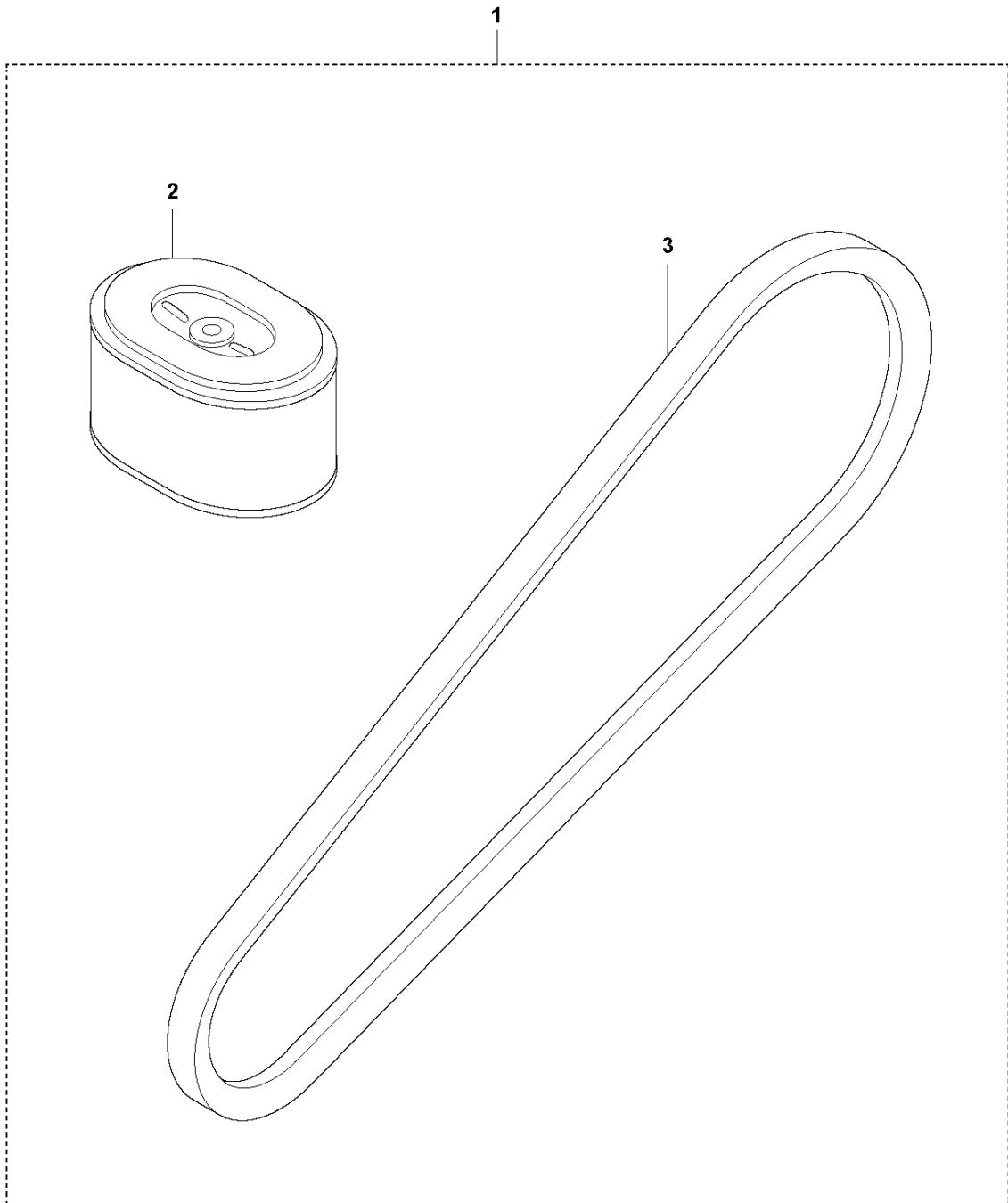


START UP KIT

LFV 80, 2020-03

Ref	Part No	Description	Remark	QTY KIT	
1	595 38 53-01	SERVICE KIT	Start up kit		
2	594 21 62-01	SERVICE KIT	12 months / 200 hours service kit	1	1
3	594 30 21-01	AIR FILTER	Air filter	1	1, 2
4	594 48 88-01	V-BELT	V-belt	1	1, 2
5	594 30 21-01	AIR FILTER	Air filter	1	1

K LFV 80
12 MONTHS / 200 HOURS SERVICE KIT

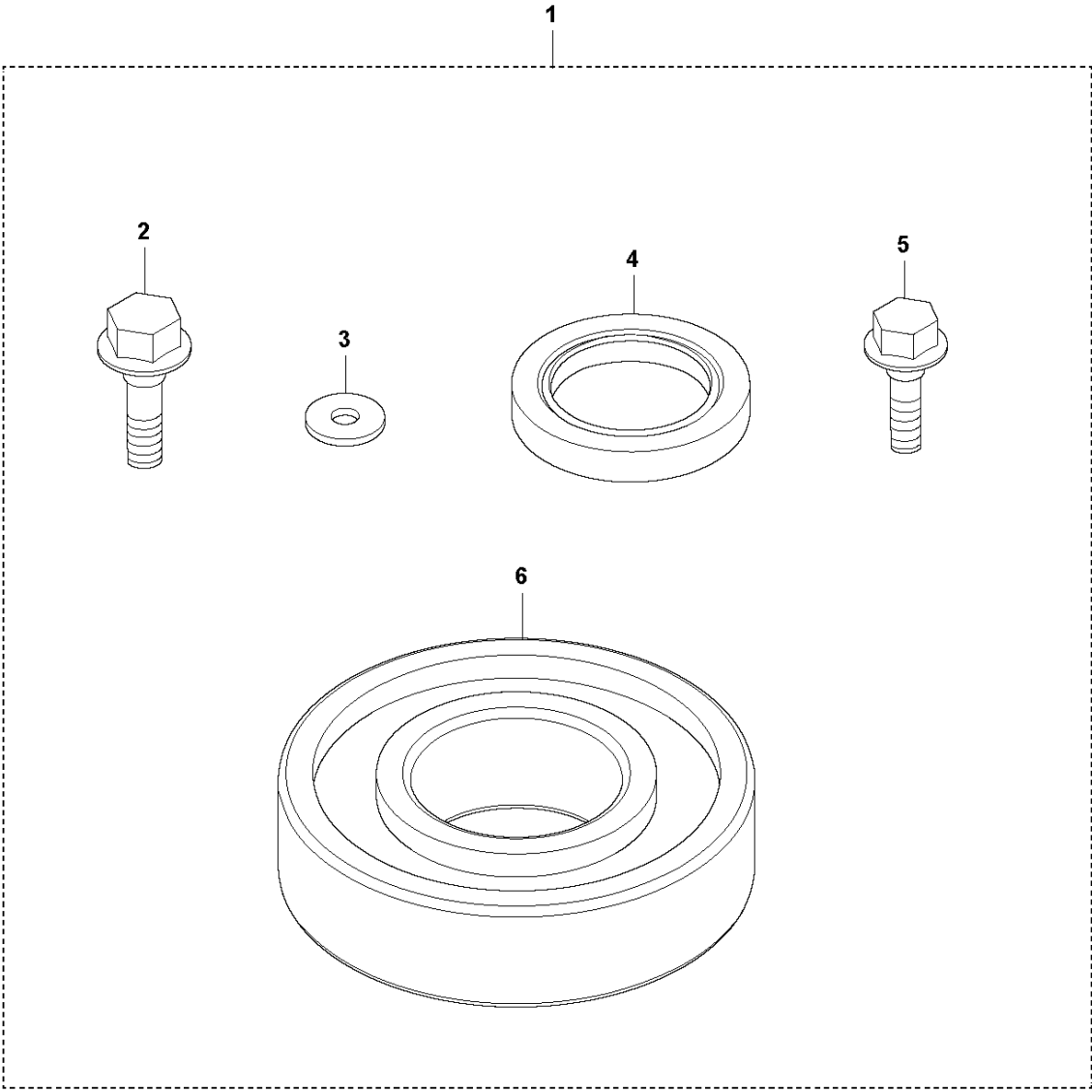


12 MONTHS / 200 HOURS SERVICE KIT

LFV 80, 2020-03

Ref	Part No	Description	Remark	QTY KIT	
1	594 21 62-01	SERVICE KIT	12 months / 200 hours service kit	1	
2	594 30 21-01	AIR FILTER	Air filter	1	1
3	594 48 88-01	V-BELT	V-belt	1	1

L LFV 80
ECCENTRIC ELEMENT REPAIR KIT

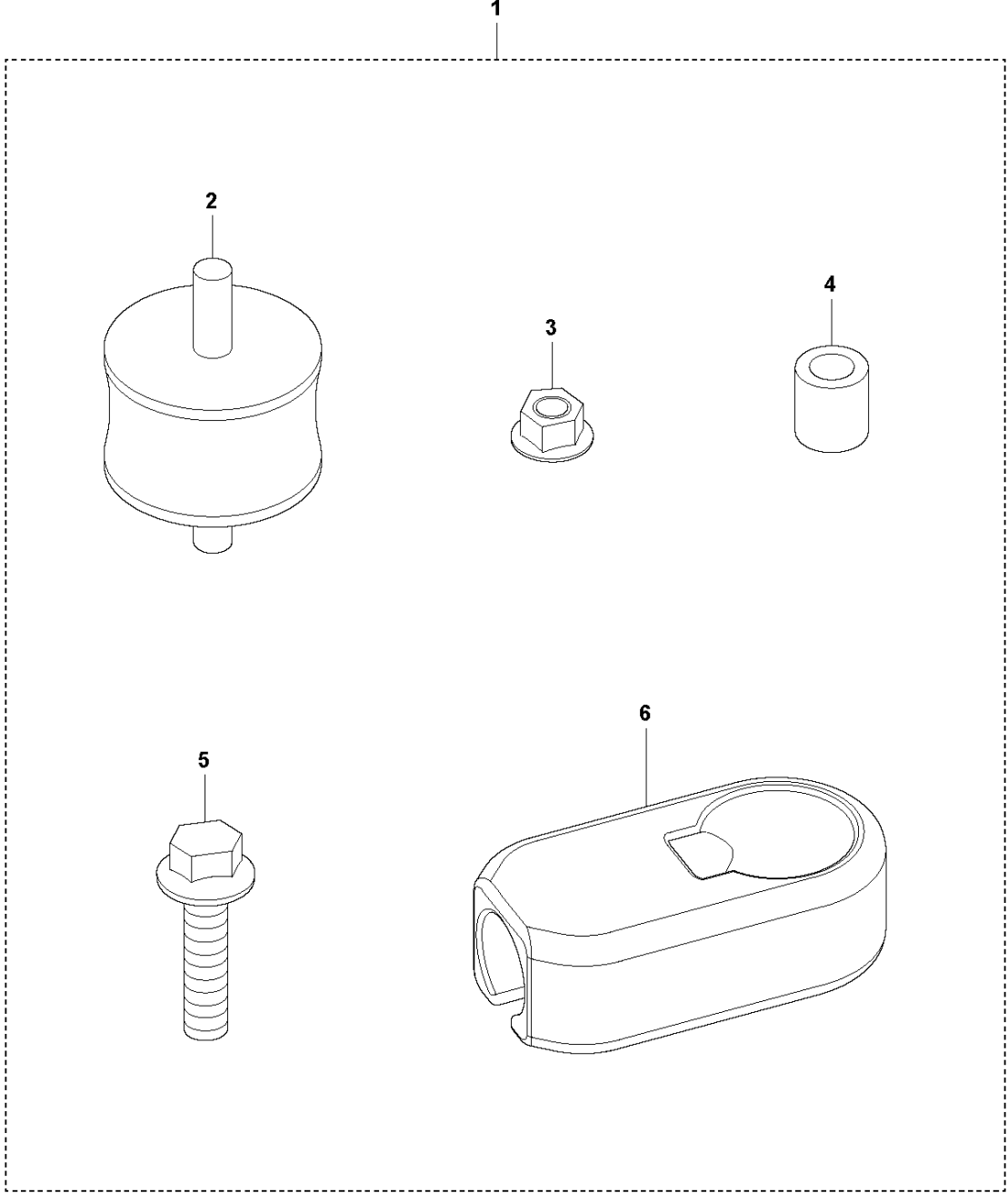


ECCENTRIC ELEMENT REPAIR KIT

LFV 80, 2020-03

Ref	Part No	Description	Remark	QTY KIT	
1	594 19 44-01	REPAIR KIT	REPAIR KIT Eccentric Element	1	
2	594 12 00-01	SCREW	M08x025H, 8.8, A2K	1	1
3	594 12 34-01	WASHER	M08 8,4x22x3,0 300 HV	1	1
4	594 12 83-01	SEAL	SEAL Lip-type, oil	1	1
5	594 52 33-01	SCREW	M06x16, 8.8, A2K	6	1
6	594 52 61-01	BALL BEARING	BALL BEARING	2	1

M LFV 80
SHOCK ABSORBER REPAIR KIT

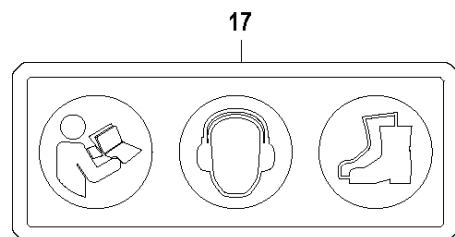
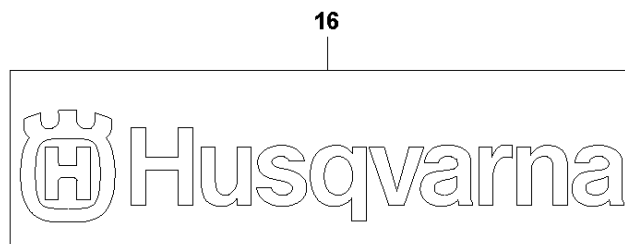
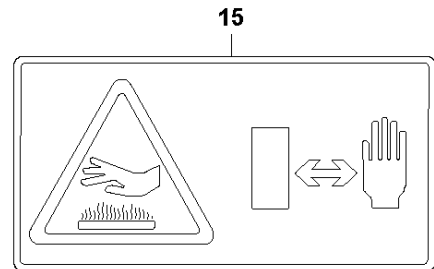
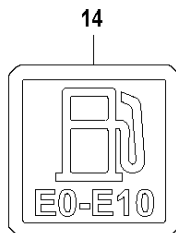
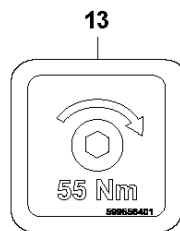
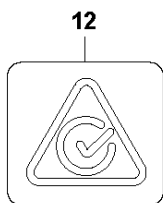
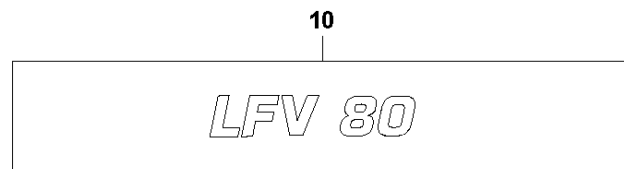
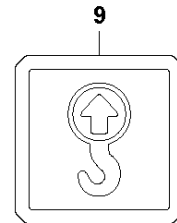
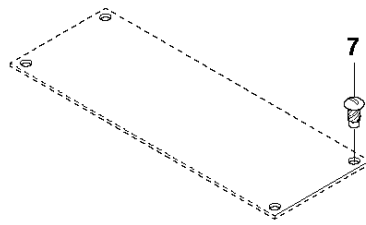
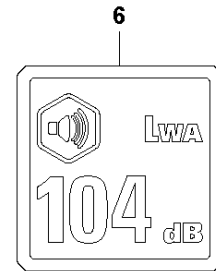
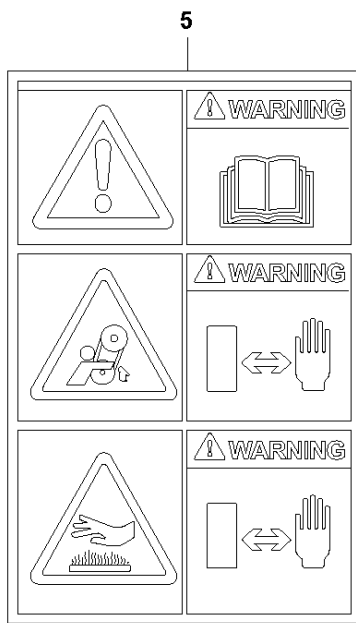
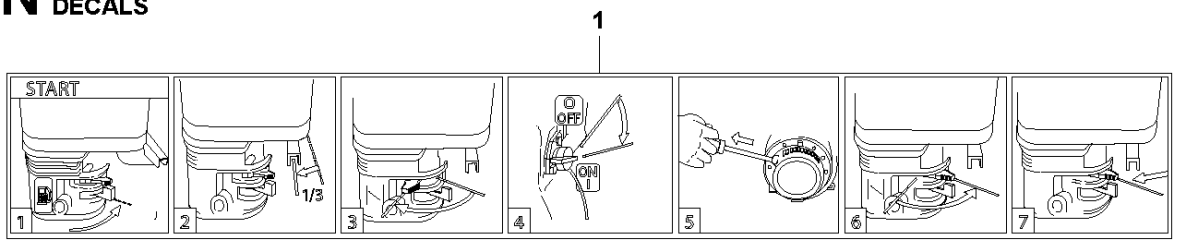


SHOCK ABSORBER REPAIR KIT

LFV 80, 2020-03

Ref	Part No	Description	Remark	QTY KIT	
1	594 19 46-01	REPAIR KIT	REPAIR KIT Shock Absorber	1	
2	594 34 19-01	ABSORBER	ABSORBER Shock	4	1
3	594 12 26-01	HEXAGON NUT	Nut flanged M10	8	1
4	594 48 03-01	BUSHING	Bushing	2	1
5	594 53 00-01	SCREW	Here's the HVA number	2	1
6	594 48 04-01	RADIATOR	RADIATOR Rubber Element	2	1

N LFV 80
DECALS



DECALS

LFV 80, 2020-03

Ref	Part No	Description	Remark	QTY KIT
1	594 48 62-01	DECAL		1
5	594 48 63-01	DECAL		1
6	595 51 32-02	LABEL	LABEL Sound level Noise 104dB 40x40mm	1
7	595 18 02-01	SCREW		4
9	594 66 09-01	LABEL	LABEL Lifting Point	2
10	595 09 46-01	DECAL	DECAL LFV 80 Model Code (HV for belt cover 158,4x24,4mm)	1
12	596 28 02-01	DECAL	DECAL Compliance RCM	1
13	599 55 64-01	DECAL	New decal	2
14	594 66 02-01	LABEL	Gasoline decal	1
15	595 18 61-01	DECAL	safety label -hot surfaces	1
16	595 09 42-01	DECAL	Husqvarna logo	1
17	594 65 96-01	LABEL	safety decal	1