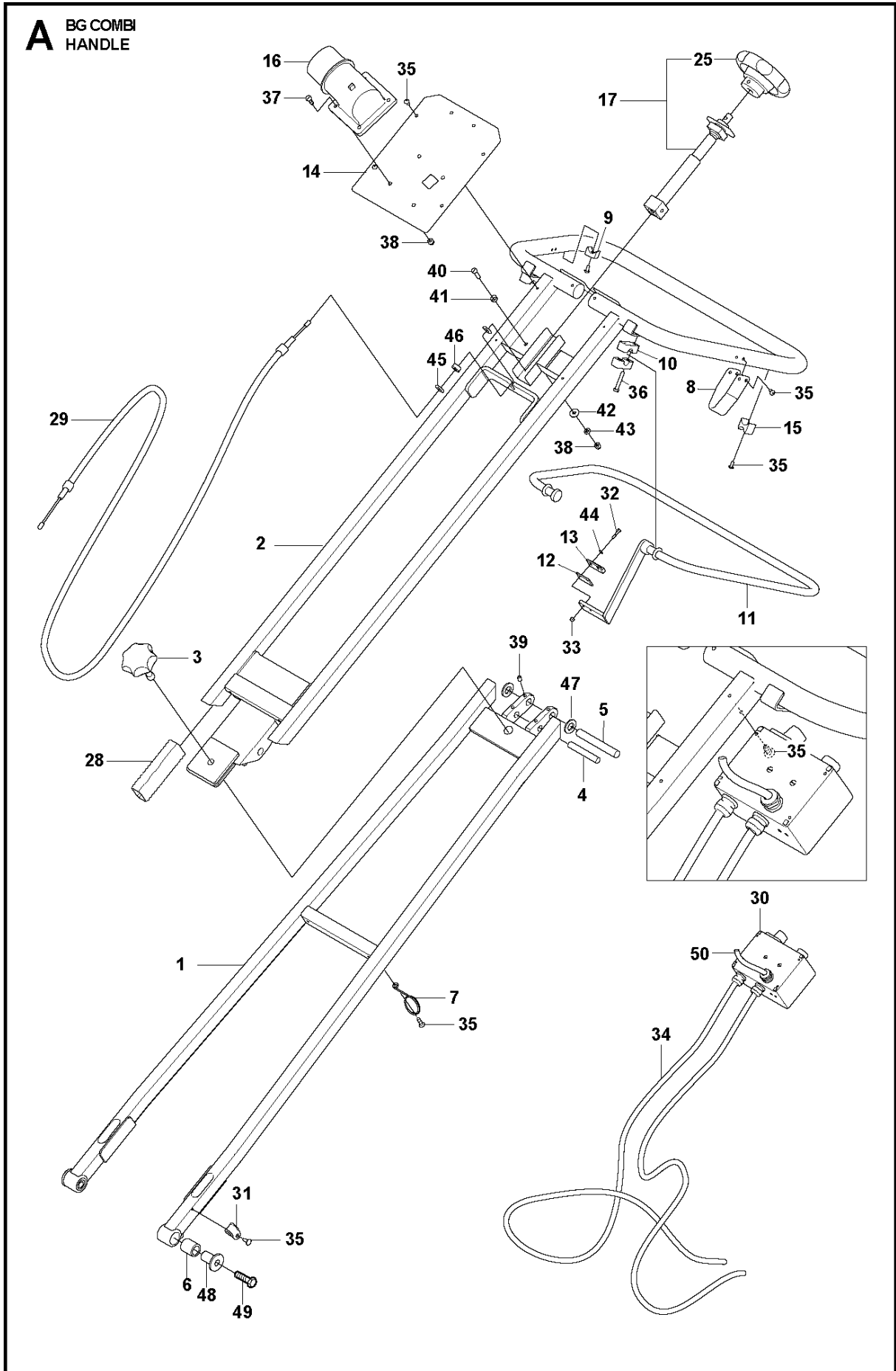




SPARE PARTS LIST

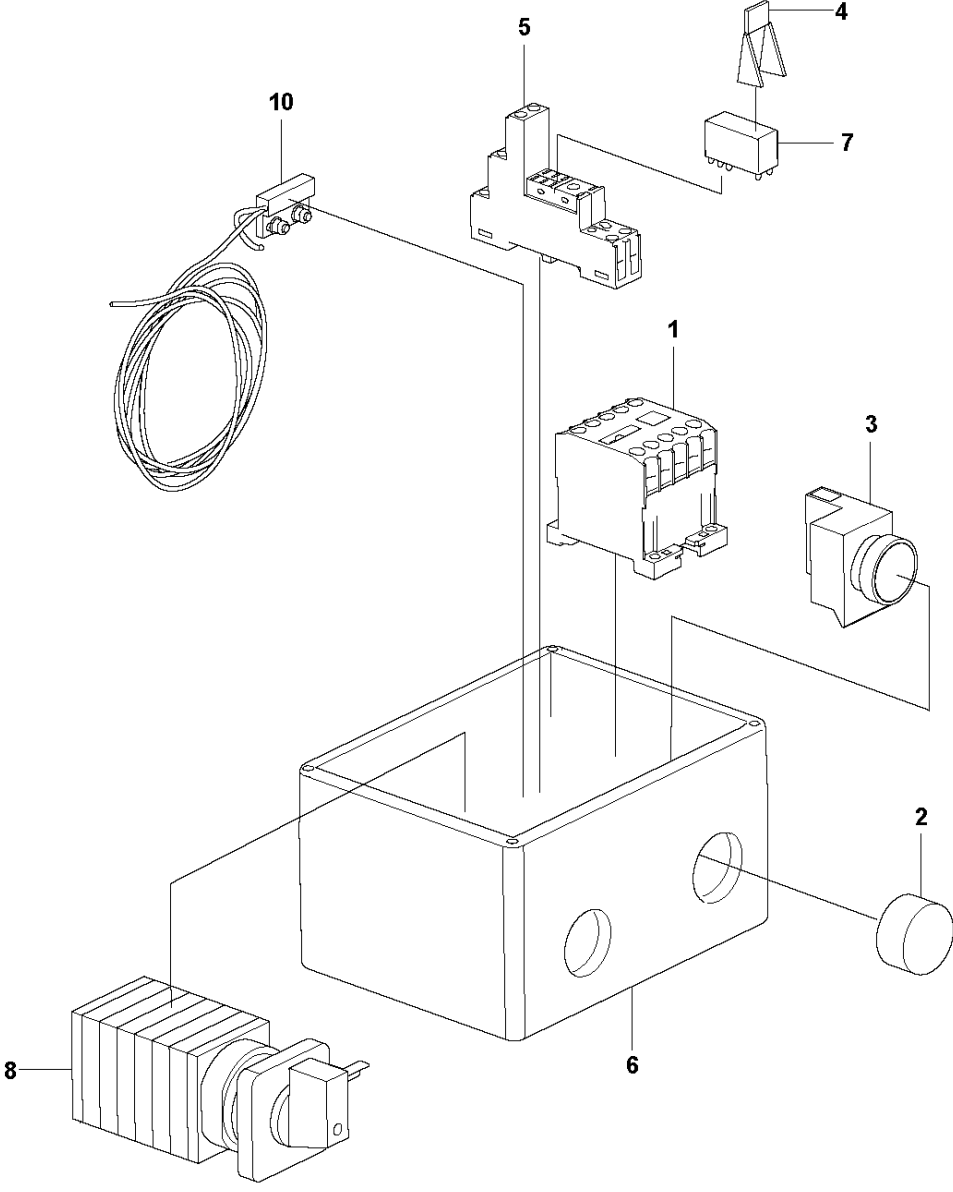
TROWELS

BG COMBI, 967929401, 967929501,
2020-09



Ref	Part No	Description	Remark	QTY	KIT
1	598 05 96-01	HANDLE		1	
2	598 05 95-01	HANDLE		1	
3	594 15 01-01	KNOB		1	
4	596 86 59-79	AXLE	10x66	1	
5	596 86 59-81	GUIDE SHAFT	12x88	1	
6	596 86 59-82	BEARING		2	
7	594 24 65-01	WIRE HOLDER		1	
8	594 14 95-01	CATCH		2	
9	596 86 59-85	HANDLE		1	
10	594 14 94-01	BEARING		4	
11	594 96 15-01	CATCH		1	
12	596 86 57-92	WASHER		1	
13	594 15 02-01	MAGNET		1	
14	596 86 59-80	LID		1	
15	596 86 59-84	HANDLE		1	
16	594 76 80-01	INLET		1	
17	594 19 99-01	BLADE		1	
25	594 24 57-01	KNOB		1	17
28	594 15 06-01	BELLOWS		2	
29	594 15 05-01	WIRE	Blade angle wire	1	
30	594 16 43-01	UNIT	Control box, complete	1	
31	596 86 61-12	CLAMP		2	
32	598045001	TBD	M3x16 ISO1207 4.8 ZnB	2	
33	596 69 52-46	LOCK NUT	M3 ISO7040 8 FZB	2	
34	596 86 59-92	CABLE		2	
35	595 11 17-01	SCREW	ST4,2x13 DIN7981 C Pozi	23	
36	595 51 49-01	SCREW	M5x30 DIN7500-1 Form C 5.8 ZnB	4	
37	529515101	TBD	M5x16 ISO1207 4.8 FZB	4	
38	595 11 24-01	NUT	M8 DIN985 8 Zn	5	
39	595 34 66-01	SCREW	M6x8 ISO4027 45H FZB	4	
40	594 50 04-01	SCREW	M5x20 ISO1207 4.8 FZB	1	
41	595 03 70-01	WASHER	M5 DIN6798 A	1	
42	598048301	TBD	M5 ISO7093 200HV A2K	1	
43	594 12 38-01	PLANE WASHER	M5 ISO7089 200HV A2K	1	
44	595 88 87-01	WASHER	M3 ISO7089 200HV A2K	2	
45	595 03 66-01	WASHER	M8 ISO7089 200HV A2K	2	
46	595 03 57-01	NUT	M8 DIN934 8 Zn	1	
47	595 06 68-01	WASHER	M12 ISO7089 300HV	2	
48	597 53 19-01	BUSHING		2	
49	595 05 46-01	SCREW	M10x40 S16 ISO4014 8.8 A3K	2	
50	598074801	TBD		1	

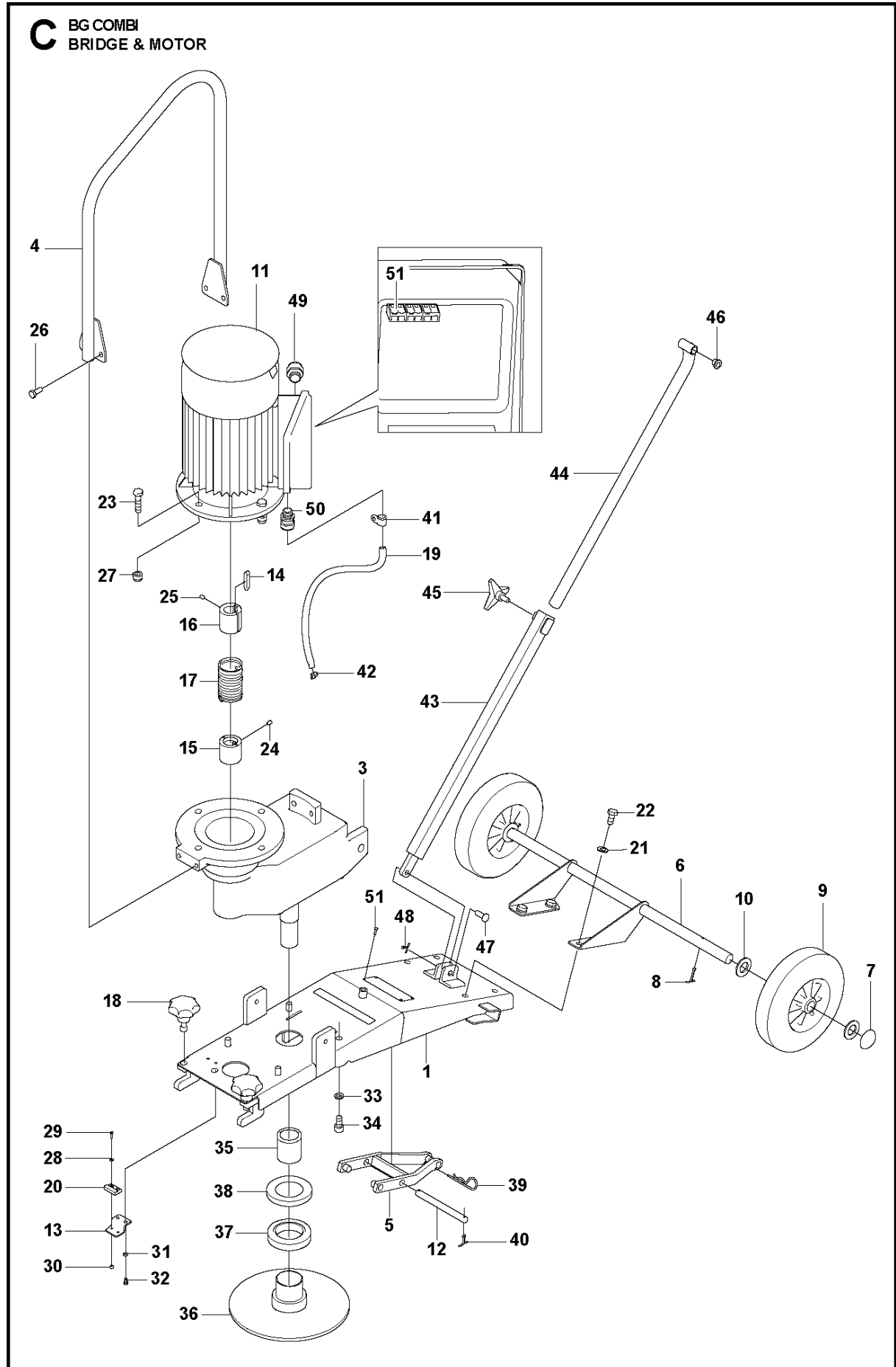
B BG COMBI
ELECTRICAL



ELECTRICAL

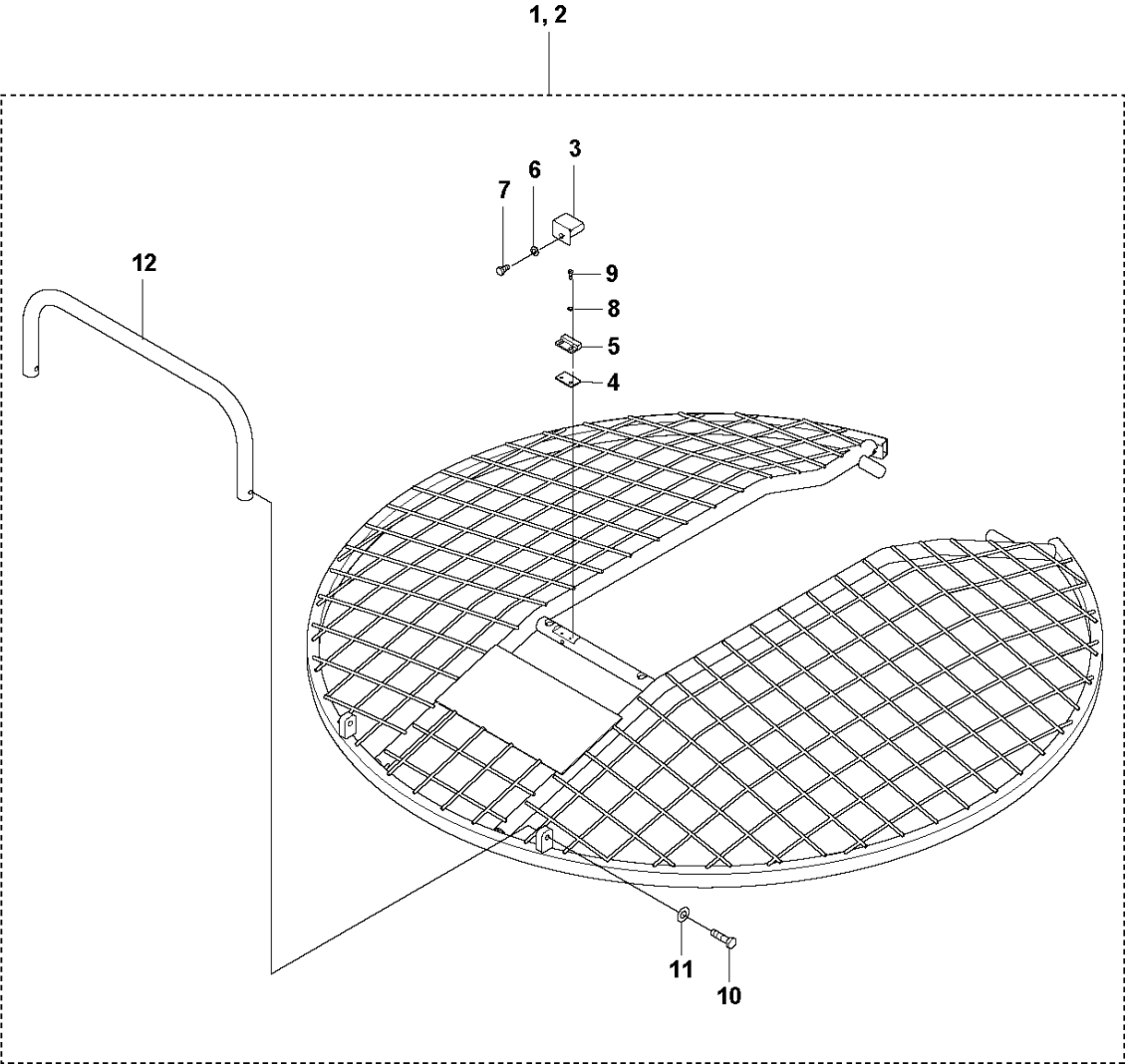
BG COMBI, 967929401, 967929501, 2020-09

Ref	Part No	Description	Remark	QTY KIT
1	594 17 36-01	CONTACTOR		1
2	594 17 42-01	CAP		1
3	594 17 41-01	PUSH BUTTON		1
4	594 17 40-01	CLAMP		1
5	594 17 37-01	HOLDER		1
6	594 17 39-01	JUNCTION BOX		1
7	594 17 38-01	RELAY		1
8	594 17 35-01	SWITCH		1
9	598074801	TBD		2
10	594 23 22-01	SENSOR		1



Ref	Part No	Description	Remark	QTY KIT	
1	596 86 59-70	BRIDGE		1	
2	598074601	TBD	Transport device	1	
3	594 14 87-01	GEARBOX		1	
4	596 86 59-71	LIFTING HOOK		1	
5	596 86 59-72	FORK		1	
6	594 14 85-01	WHEEL		1	2
7	594 76 89-01	WASHER		2	2
8	594 11 72-01	SPLIT PIN	3.2x28 ISO1234 A2K	2	2
9	594 14 99-01	WHEEL		2	2
10	596 86 59-46	WASHER	M20 ISO7089 200HV A2K	4	2
11	595 92 96-01	MOTOR		1	
12	596 86 59-77	AXLE		1	
13	596 86 59-78	GUARD		1	
14	594 14 92-01	KEY		1	
15	594 14 93-01	COUPLING		1	
16	594 14 90-01	COUPLING		1	
17	594 69 62-01	SPRING		1	
18	529509301	TBD		2	
19	596 86 59-91	HOSE		1	
20	594 23 22-01	SENSOR		1	
21	595 11 33-01	WASHER	M10 ISO7089 200HV A2K	4	
22	594 11 84-01	SCREW	M10x20 ISO4017 8.8 A3K	4	
23	595 05 46-01	SCREW	M10x40 S16 ISO4014 8.8 A3K	4	
24	529512501	TBD	M6x8 ISO4027 45H	1	
25	595 34 67-01	SCREW	M8x8 ISO4029 45H	1	
26	594 11 79-01	SCREW	M8x20 ISO4017 8.8 A2K	4	
27	595 02 94-01	NUT	M10 ISO4032 8 A3K	4	
28	595 88 87-01	WASHER	M3 ISO7089 200HV A2K	2	
29	529514801	TBD	M3x12 DIN7985 H ZnB	2	
30	596 69 52-46	LOCK NUT	M3 ISO7040 8 FZB	2	
31	595 88 89-01	WASHER	M5 DIN127B Zn	2	
32	529514901	TBD	M5x8 DIN7985 5.8 ZnB	2	
33	595 11 38-01	WASHER	M10 DIN127B A2K	4	
34	594 12 06-01	SCREW	M10x20 ISO4762 8.8 A3K	4	
35	594 21 99-01	BEARING		1	
36	597 85 06-01	PRESSURE PLATE		1	
37	595 03 81-01	BEARING	6010 2RS1	1	
38	594 14 89-01	WASHER		1	
39	594 11 75-01	SPRING PIN		1	
40	594 11 73-01	SPLIT PIN	3.2x20 ISO1234 A2K	2	
41	596 86 61-12	CLAMP		1	
42	594 12 60-01	CABLE		1	
43	598060001	TBD		1	
44	594 14 86-01	STAY		1	
45	594 24 62-01	KNOB		1	
46	594 21 98-01	FLANGE		2	
47	594 22 63-01	BOLT	10x28 ISO2341B	1	
48	594 11 74-01	CLIP		1	
49	595 11 84-01	CABLE		2	11
50	596 86 59-49	CABLE		1	11
51	595 34 40-01	RIVET		4	

D BG COMBI
PROTECTIVE FRAME

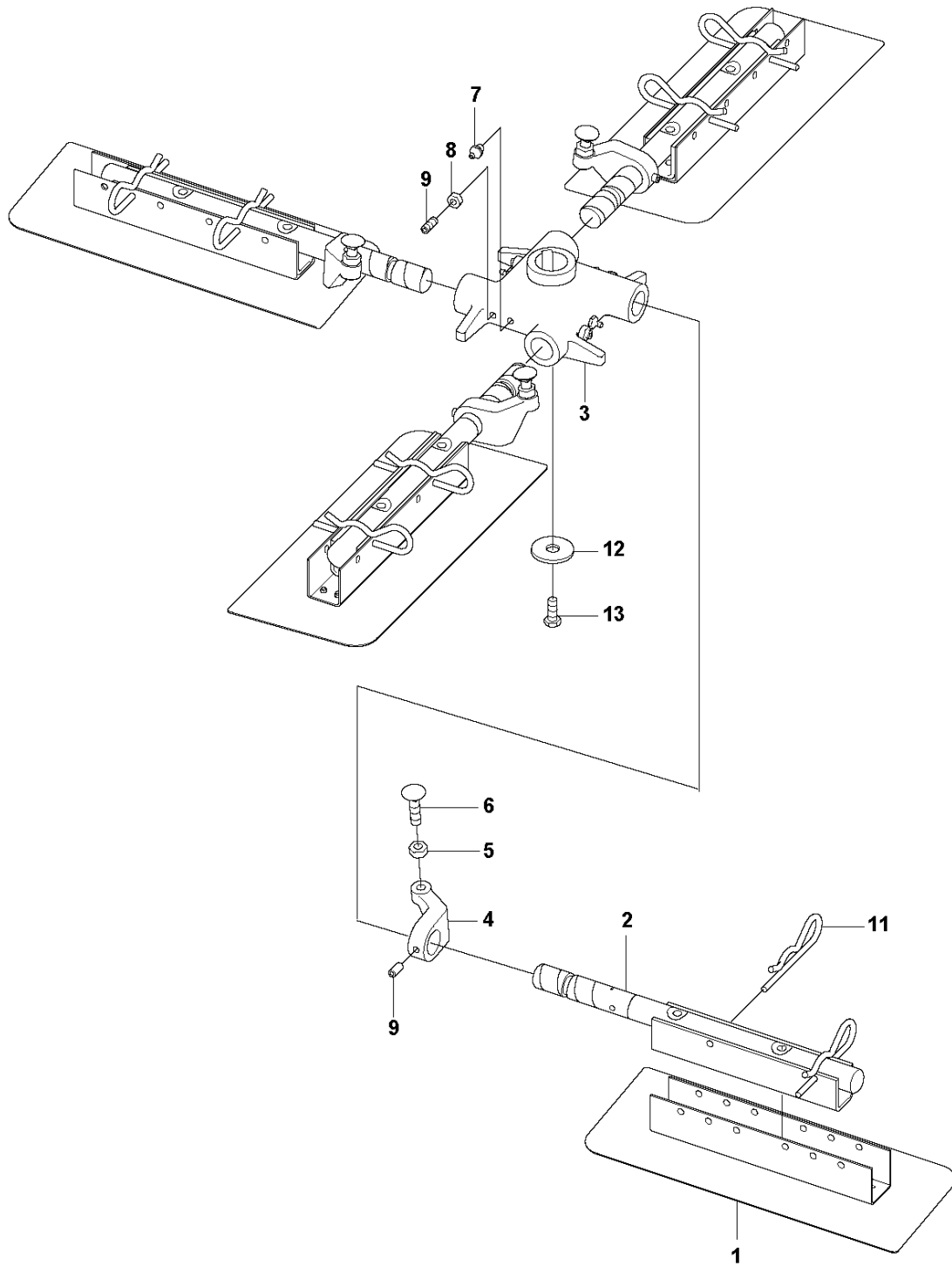


PROTECTIVE FRAME

BG COMBI, 967929401, 967929501, 2020-09

Ref	Part No	Description	Remark	QTY KIT	
1	597 15 54-01	RING	Protection ring 850 mm, complete	1	
2	597 15 84-01	RING	Protection ring 1020 mm, complete	1	
3	594 14 96-01	COVER		1	1, 2
4	596 86 57-92	WASHER		1	1, 2
5	594 15 02-01	MAGNET		1	1, 2
6	595 03 65-01	WASHER	M6 ISO7089 200HV A2K	1	1, 2
7	595 34 79-01	SOCKET	M6x12 ISO4762 8.8 A2K	1	1, 2
8	595 88 87-01	WASHER	M3 ISO7089 200HV A2K	2	1, 2
9	595 99 19-01	SCREW	M3x10 ISO1207 4.8 FZB	2	1, 2
10	595 34 43-01	SCREW	M8x30 ISO4017 8.8 A2K	2	1, 2
11	595 03 66-01	WASHER	M8 ISO7089 200HV A2K	2	1, 2
12	596 86 59-83	LIFTING HOOK		1	1, 2

E BG COMBI
BLADE ASSY

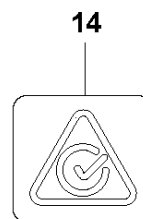
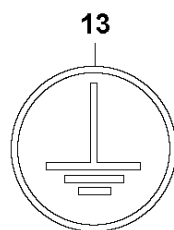
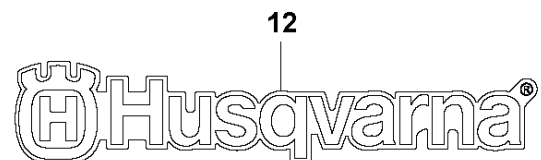
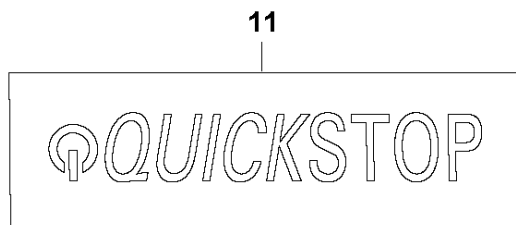
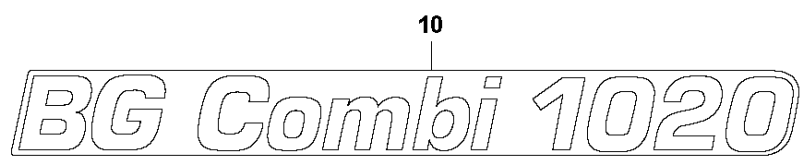
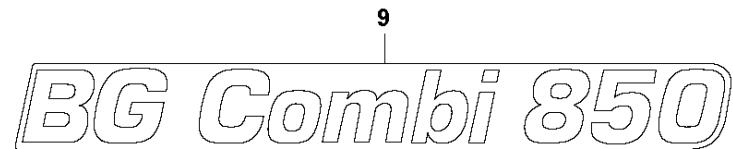
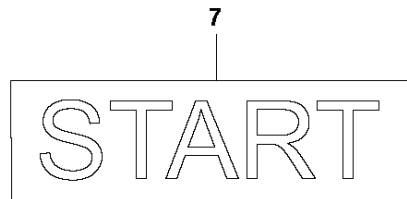
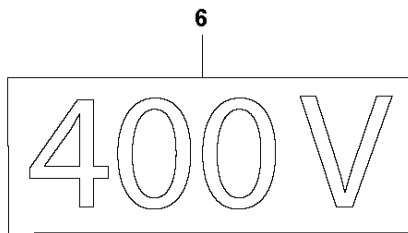
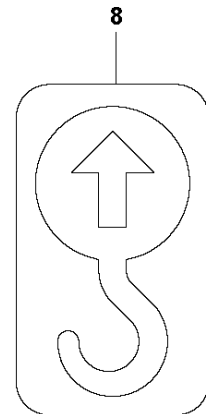
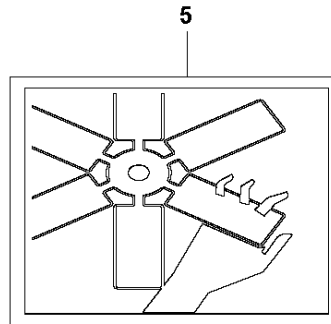
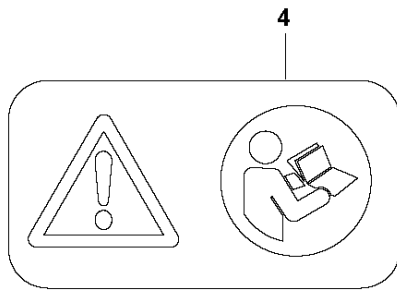
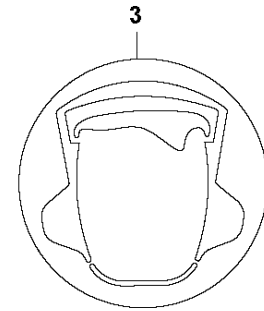
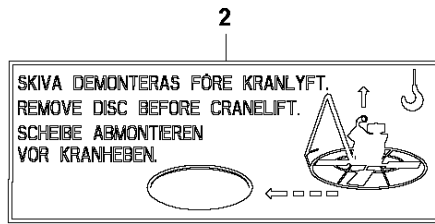
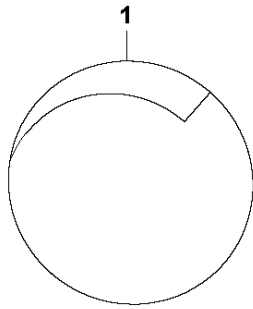


BLADE ASSY

BG COMBI, 967929401, 967929501, 2020-09

Ref	Part No	Description	Remark	QTY KIT
1	594 22 76-01	BLADE KIT	Blades, set of 4 pcs.	4
2	594 23 75-01	ARM		4
3	594 24 03-01	HUB		1
4	594 24 60-01	ARM		4
5	595 02 94-01	NUT	M10 ISO4032 8 A3K	4
6	595 35 08-01	BOLT	M10x40 ISO8677 8.8 FZB	4
7	594 12 68-01	LUBRICATION NIPPLE		4
8	595 35 17-01	NUT	M8 ISO403 A2K	4
9	594 28 60-01	SCREW	M8x20 ISO4028 45H	8
11	594 11 76-01	CLIP		8
12	598074901	TBD		1
13	595 07 11-01	SCREW	M10x25 ISO4017 8.8 A3K	1

E BG COMBI
DECALS



DECALS

BG COMBI, 967929401, 967929501, 2020-09

Ref	Part No	Description	Remark	QTY KIT
1	594 24 58-01	DECAL		1
2	594 24 59-01	DECAL		1
3	594 65 96-01	LABEL		1
4	594 86 97-01	LABEL		1
5	594 16 30-01	DECAL		1
6	595 13 85-01	LABEL		1
7	596 86 60-05	LABEL		1
8	594 66 09-01	LABEL		1
9	595 92 59-01	DECAL		1
10	595 92 60-01	DECAL		1
11	595 11 91-01	DECAL		1
12	596 76 12-01	DECAL		1
13	598075001	TBD		1
14	596 28 02-01	DECAL		1