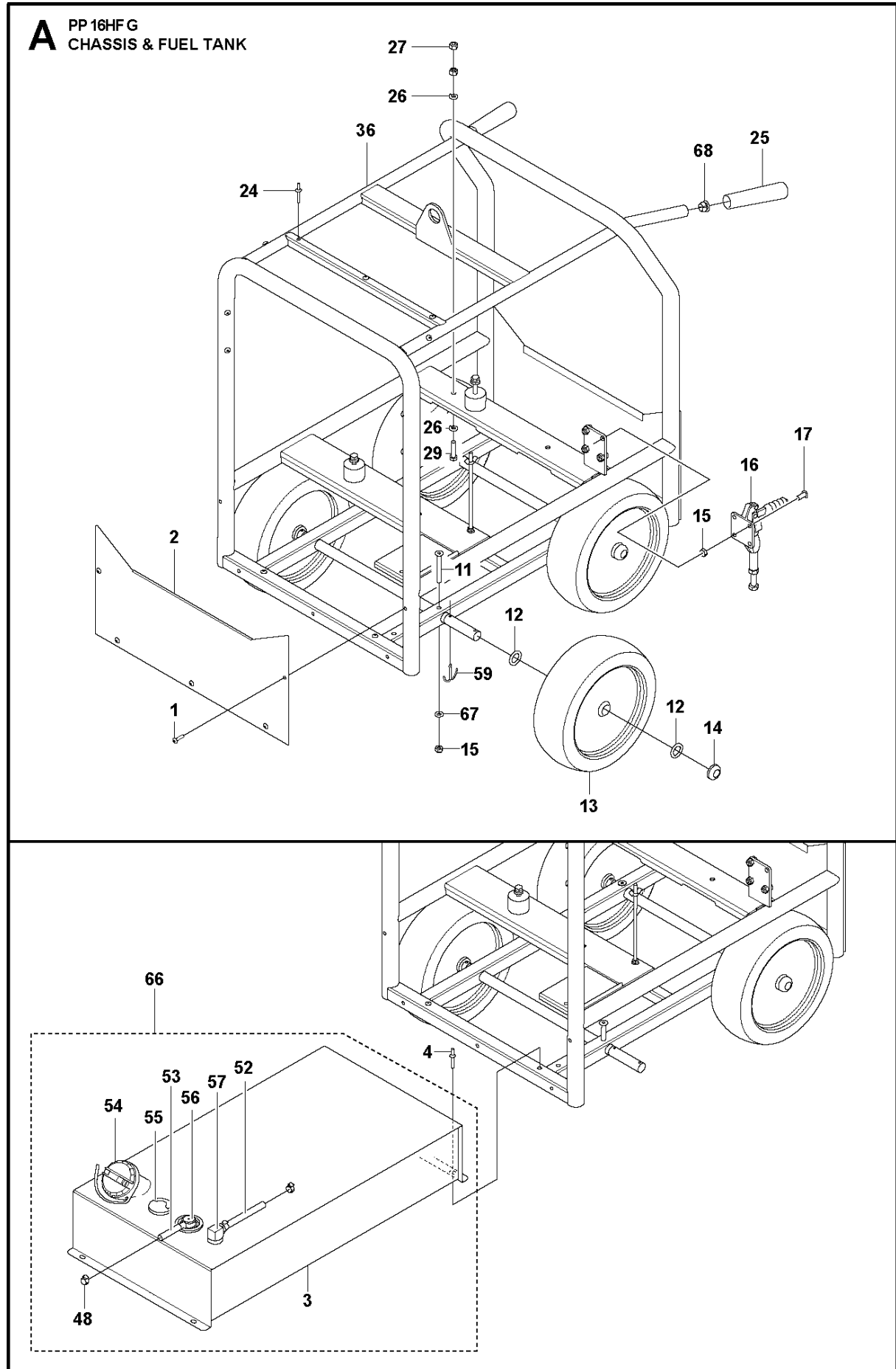




SPARE PARTS LIST

POWER PACKS

PP 16HF G, 2020-12

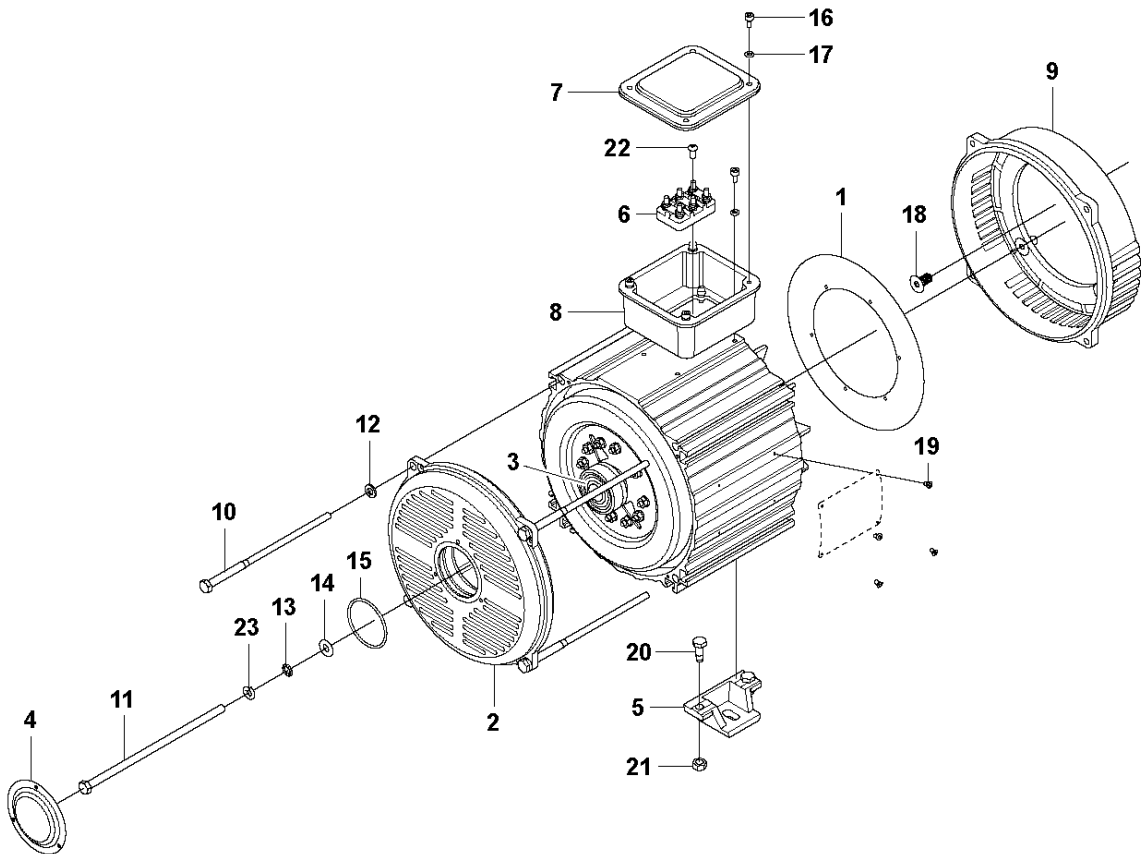
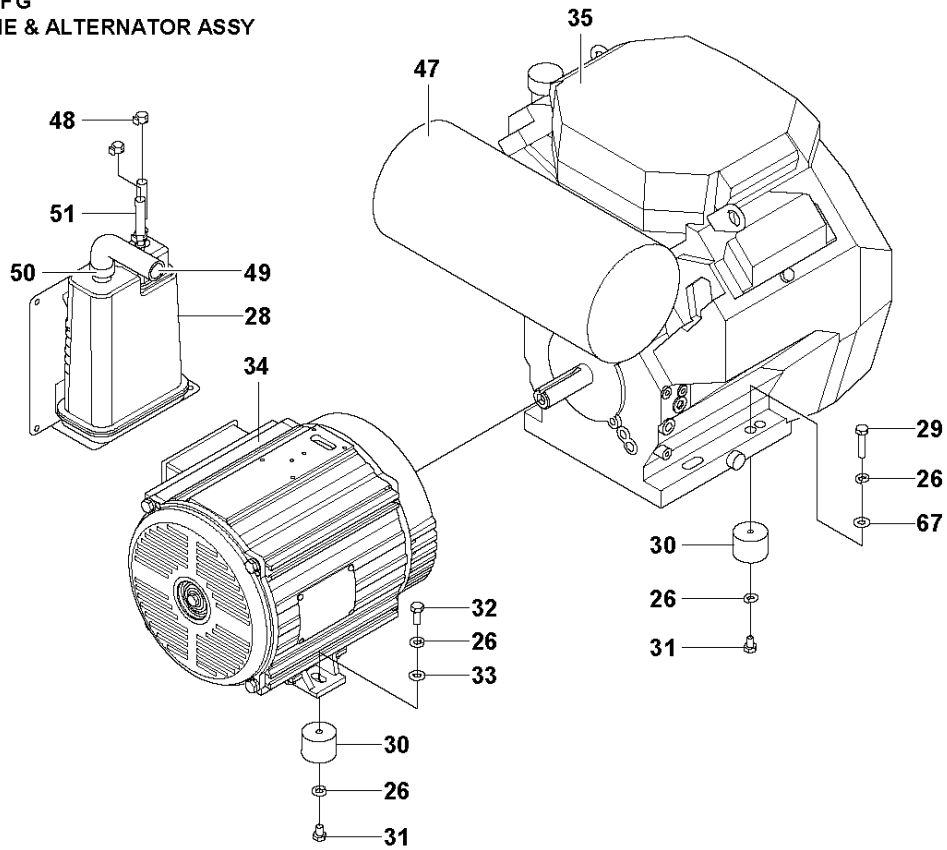


CHASSIS & FUEL TANK

PP 16HF G, 2020-12

Ref	Part No	Description	Remark	QTY KIT	
1	529609201	TBD	1/4" huck rivet	10	
2	529609301	TBD		2	
3	529609401	TBD		1	
4	529609501	TBD	1/4" huck rivet	4	
11	529610201	TBD	M8 x 40 CS	2	
12	529610301	TBD	M20, Nylon	20	
13	529610401	TBD	DIA 265	4	
14	529610501	TBD	20mm	4	
15	529610601	TBD	M8, nyloc	5	
16	529610701	TBD	Brake	1	
17	529610801	TBD	M8 x 20	4	
24	529611501	TBD	1/4" huck rivet	9	
25	529611601	TBD	Black	2	
26	529611701	TBD	M8	2	
27	529611801	TBD	M8	2	
29	529612001	TBD	M8X35	1	
36	529612701	TBD		1	
48	529613901	TBD	1/4"	2	66
53	529614401	TBD	1/4" (Fuel tank to carb. can.)	1	66
52	529614301	TBD	1/4" (Fuel tank to engine)	1	
54	529614501	TBD		1	66
55	529614601	TBD		1	66
56	529614701	TBD		1	66
57	529614801	TBD	Anti-siphon	1	66
59	529615001	TBD	4mm	4	
66	529615701	TBD	8 Gal, orange	1	
67	529615801	TBD	M8	4	
68	529615901	TBD		2	

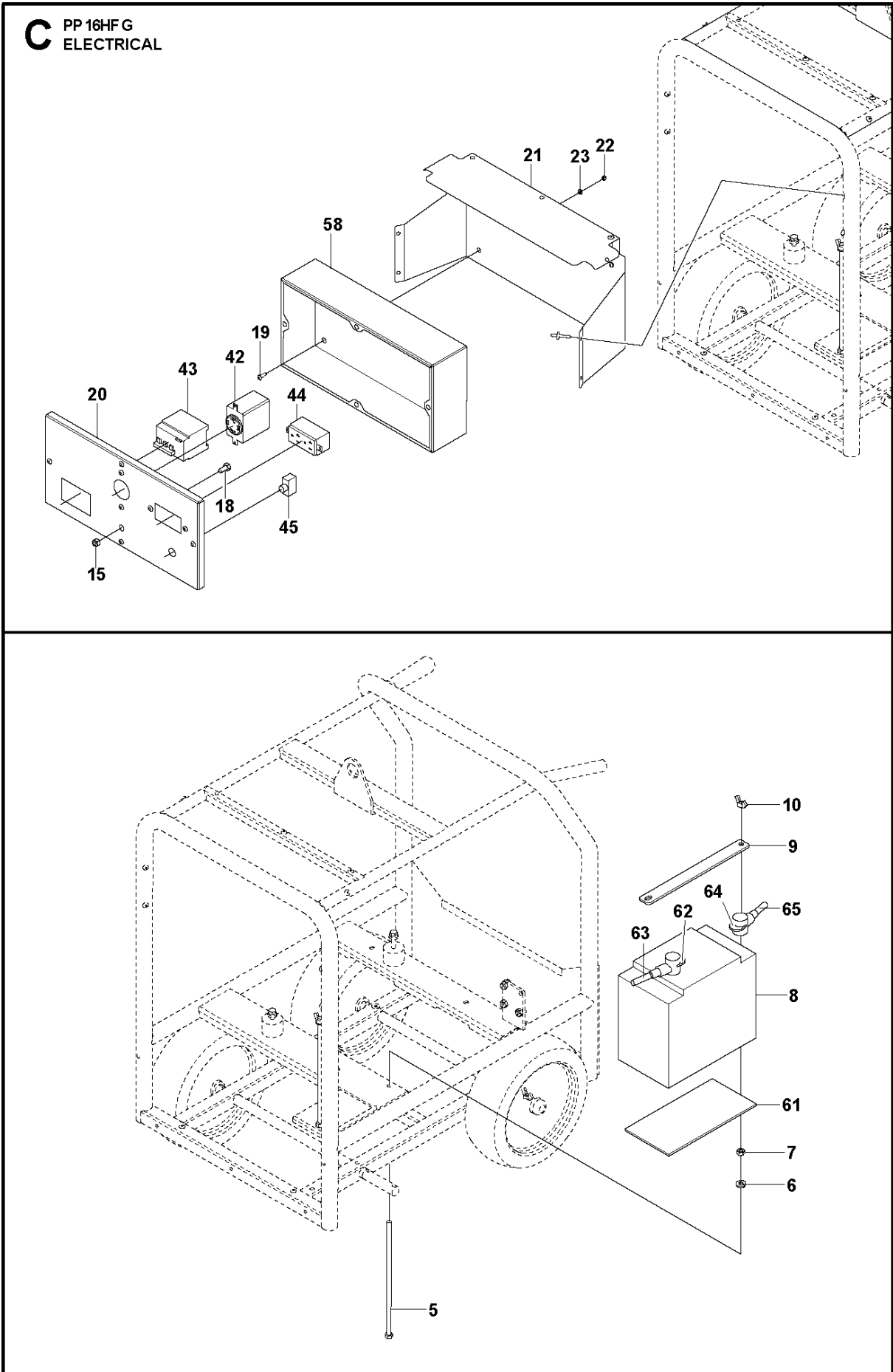
B PP 16HFG
ENGINE & ALTERNATOR ASSY



ENGINE & ALTERNATOR ASSY

PP 16HF G, 2020-12

Ref	Part No	Description	Remark	QTY KIT
1	529662301	TBD		1
2	529662401	TBD		1
3	529662501	TBD	Alternator end shaft bearing	1
4	529662601	TBD		1
5	529662701	TBD		2
6	529662801	TBD		1
7	529662901	TBD	Lid & rubber	1
8	529663001	TBD		1
9	529663101	TBD	J609	1
10	529615101	TBD	M8X230, Z/P	4
11	529612801	TBD	5/16" - 24X8.5" UNF	1
12	529613701	TBD	3/8"	4
13	529613001	TBD	5/16" Serrated	1
14	529612901	TBD	5/16"	1
15	529663201	TBD	M54	1
16	529663301	TBD	M5X16, Z/P	8
17	529663401	TBD	M5	8
18	529613101	TBD	3/8" - 16X3/4" CS	4
19	529663501	TBD	5/32"	4
20	529612201	TBD	M8X12, Z/P	4
21	529610601	TBD	M8, Nyloc	4
22	529663601	TBD	M5X12, Z/P	2
23	529613201	TBD	5/16"	1
26	529611701	TBD	M8	8
28	529611901	TBD		1
29	529612001	TBD	M8X35, Z/P	2
30	529612101	TBD		4
31	529612201	TBD	M8X12, Z/P	4
32	529612301	TBD	M8X20, Z/P	2
33	529612401	TBD	M8, (large)	2
34	529612501	TBD	480V alternator 17.5kW	1
35	529612601	TBD	Honda GX690 E-START	1
47	529613801	TBD		1
48	529613901	TBD	1/4" Ear Clamp	2
49	529614001	TBD		1
50	529614101	TBD	1 1/8" Ear Clamp	1
51	529614201	TBD	1/4" (carb. can. to engine)	1
67	529615801	TBD		4

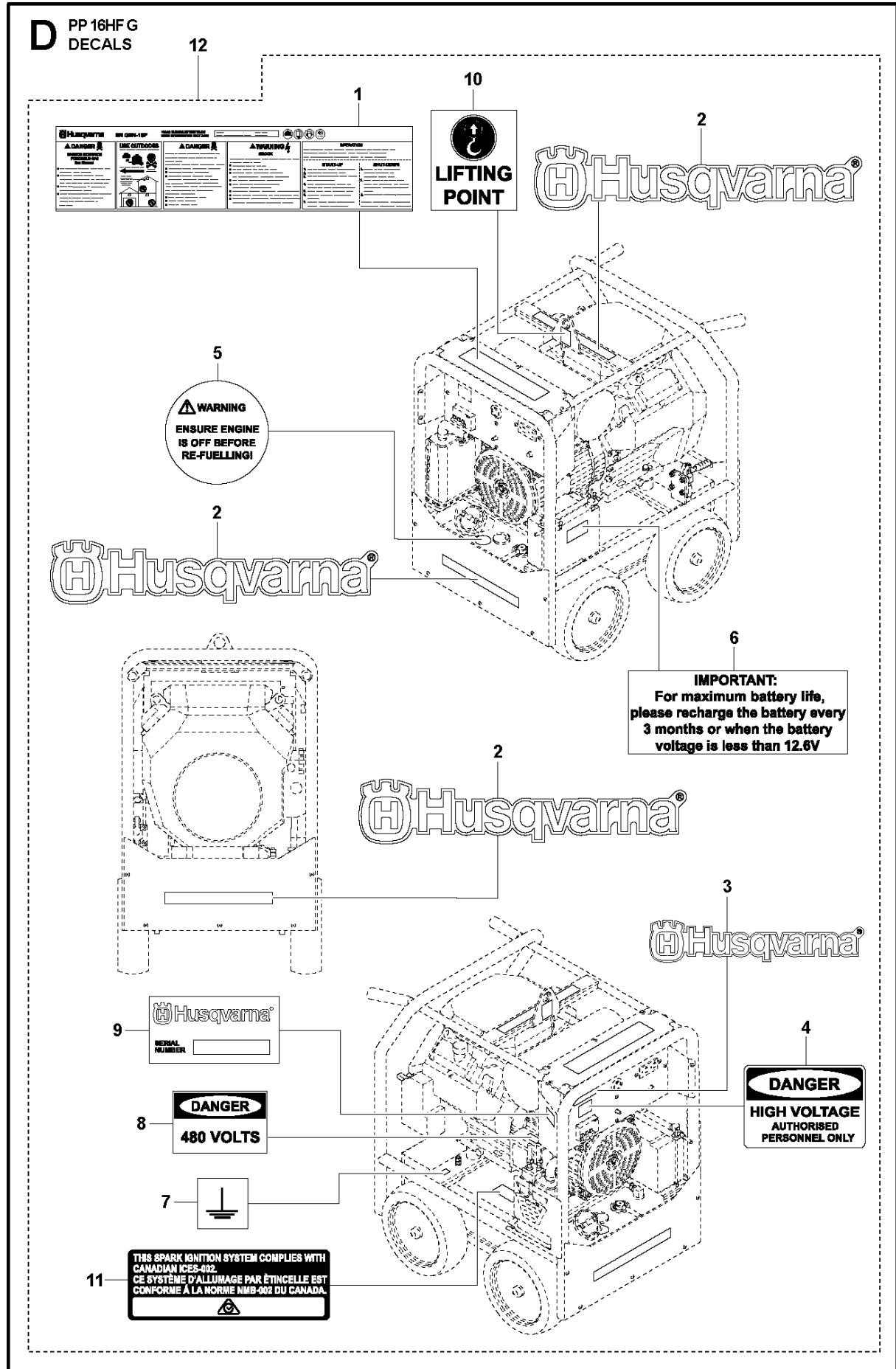


ELECTRICAL

PP 16HF G, 2020-12

Ref	Part No	Description	Remark	QTY KIT
5	529609601	TBD	M6 x 200mm	2
6	529609701	TBD	M6	6
7	529609801	TBD	M6	5
8	529609901	TBD	12V	1
9	529610001	TBD		1
10	529610101	TBD	M6	2
15	529610601	TBD	M8, nyloc	1
18	529610901	TBD	M8 x 16	1
19	529611001	TBD	M5 x 16	4
20	529611101	TBD	480V (Husqvarna spec)	1
21	529611201	TBD	(Husqvarna spec)	1
22	529611301	TBD	M5, nyloc	4
23	529611401	TBD	M5	4
42	529613301	TBD	L16-30 30A 480V 3P4W	1
43	529613401	TBD	30A 3-POLE 480V	1
44	529613501	TBD	20A 125V 2P3W Duplex GFCI Receptacle	1
45	529613601	TBD	20A 1-POLE PTS Circuit Breaker	1
58	529614901	TBD	480V (Husqvarna spec)	1
61	529615201	TBD	151 x 86	1
62	529615301	TBD		1
63	529615401	TBD	Negative, 300mm	1
64	529615501	TBD	Red	1
65	529615701	TBD	Positive 750mm	1

D PP 16HF G
DECALS



DECALS

PP 16HF G, 2020-12

Ref	Part No	Description	Remark	QTY KIT	
1	529661301	TBD	Instruction (Husqvarna)	3	12
2	529661401	TBD	Husqvarna (large)	1	12
3	529661501	TBD	Husqvarna (small)	1	12
4	529661601	TBD	Danger high voltage	1	12
5	529661701	TBD	Refuel warning	1	12
6	529661801	TBD	Battery life warning	1	12
7	529661901	TBD	Earth	1	12
8	529662001	TBD	Danger 480 volts	1	12
9	529662101	TBD	Husqvarna serial number	1	12
10	529662201	TBD	Lifting point	1	12
11	529661101	TBD	Carb compliance	1	12
12	529661201	TBD	Decal set	1	