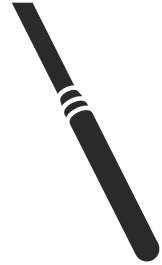




 **Husqvarna**[®]



AA 27, AA 37, AA 47, AA 67, AA 77, AZ 26,
AZ 36, AZ 46, AZ 56

Contents

Introduction.....	2	Storage and disposal.....	6
Safety.....	2	Technical data	7
Operation.....	5	Declaration of Conformity.....	8
Maintenance.....	6		

Introduction

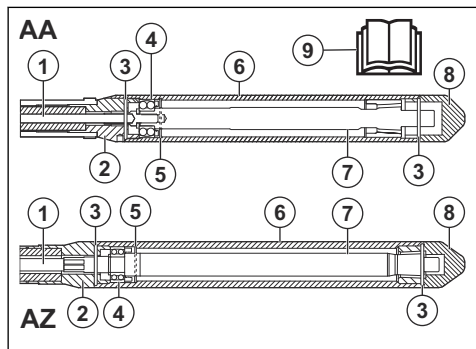
Product description

The product is a concrete vibrator with a flexible shaft. It operates with low rotation speed in the shaft and high frequency in the vibrator head. The concrete vibrator operates together with a drive unit. Drive units of gasoline and diesel fuel type are applicable.

Intended use

The product is for professional operation only. The product removes air bubbles from wet concrete. Do not use the product for other tasks.

Product overview



1. Flexible shaft
2. End shank
3. O-ring
4. Ball bearing
5. Sealing sleeves
6. Housing
7. Vibrator head shaft
8. End cap
9. Operator's manual

Product liability

As referred to in the product liability laws, we are not liable for damages that our product causes if:

- the product is incorrectly repaired.
- the product is repaired with parts that are not from the manufacturer or not approved by the manufacturer.
- the product has an accessory that is not from the manufacturer or not approved by the manufacturer.
- the product is not repaired at an approved service center or by an approved authority.

Safety

Safety definitions

Warnings, cautions and notes are used to point out specially important parts of the manual.



WARNING: Used if there is a risk of injury or death for the operator or bystanders if the instructions in the manual are not obeyed.



CAUTION: Used if there is a risk of damage to the product, other materials or the adjacent area if the instructions in the manual are not obeyed.

Note: Used to give more information that is necessary in a given situation.

General safety instructions



WARNING: Read the warning instructions that follow before you use the product.

- This product is a dangerous tool if you are not careful or if you use the product incorrectly. This product can cause serious injury or death to the operator or others. Before you use the product,

you must read and understand the contents of this operator's manual.

- Save all warnings and instructions.
- Comply with all applicable laws and regulations.
- The operator and the employer of the operator must know and prevent the risks during operation of the product.
- Do not let a person operate the product unless they read and understand the contents of the operator's manual.
- Do not operate the product unless you receive training before use. Make sure that all operators receive training.
- Do not let a child operate the product.
- Only let approved persons operate the product.
- The operator is responsible for accidents that occur to other persons or their property.
- Do not use the product if you are tired, ill, or under the influence of alcohol, drugs or medicine.
- Always be careful and use your common sense.
- This product produces an electromagnetic field during operation. This field can under some circumstances interfere with active or passive medical implants. To decrease the risk of serious injury or death, we recommend persons with medical implants to speak to their physician and the medical implant manufacturer before operating this product.
- Keep the product clean. Make sure that you can clearly read signs and decals.
- Do not use the product if it is defective.
- Do not do modifications to this product.
- Do not operate the product if it is possible that other persons have done modifications to the product.

Safety instructions for operation



WARNING: Read the warning instructions that follow before you use the product.

- Make sure that you know how to stop the product quickly in an emergency.
- The operator must have the physical strength that is necessary to operate the product safely.
- Use personal protective equipment. Refer to *Personal protective equipment on page 4*.
- Make sure that only approved persons are in the work area.
- Keep the work area clean and bright.
- Make sure that you are in a safe and stable position during operation.
- Make sure that there is no grease or oil on the handle.
- Do not use the product in areas where fire or explosions can occur.
- The product can cause objects to eject at high speed. Make sure that all persons in the work

area use approved personal protective equipment. Remove loose objects from the work area.

- Before you go away from the product, stop the product and disconnect the power source.
- Make sure that clothes, long hair and jewelry do not get caught in moving parts.
- Do not sit on the product.
- Do not hit the product.
- Make sure that you or other persons cannot get caught in and fall on cables, hoses and shafts in the work area.
- Before you operate the product, find out if there are hidden wires, electrical cables or other sources of electricity. Do not operate the product unless you know that it is in a safe work area.

Vibration safety



WARNING: Read the warning instructions that follow before you use the product.

- During operation of the product, vibrations go from the product to the operator. Regular and frequent operation of the product can cause or increase the degree of injuries to the operator. Injuries can occur in fingers, hands, wrists, arms, shoulders, and/or nerves and blood supply or other body parts. The injuries can be debilitating and/or permanent, and can increase gradually during weeks, months or years. Possible injuries include damage to the blood circulation system, the nervous system, joints, and other body structures.
- Symptoms can occur during operation of the product or at other times. If you have symptoms and continue to operate the product, the symptoms can increase or become permanent. If these or other symptoms occur, get medical aid:
 - Numbness, loss of feeling, tingling, pricking, pain, burning, throbbing, stiffness, clumsiness, loss of strength, changes in skin color or condition.
- Symptoms can increase in cold temperatures. Use warm clothing and keep your hands warm and dry when you operate the product in cold environments.
- Do maintenance on and operate the product as given in the operator's manual, to keep a correct vibration level.
- Let the product do the work. Do not push the product with force. Hold the hose lightly, but make sure that you control the product and operate it safely.
- Keep your hands on the hose only. Keep all other body parts away from the product.
- Stop the product immediately if strong vibrations suddenly occurs. Do not continue the operation before the cause of the increased vibrations is removed.

Dust safety



WARNING: Read the warning instructions that follow before you use the product.

- Operation of the product can cause dust in the air. Dust can cause serious injury and permanent health problems. Silica dust is regulated as harmful by several authorities. These are examples of such health problems:
 - The fatal lung diseases chronic bronchitis, silicosis and pulmonary fibrosis
 - Cancer
 - Birth defects
 - Skin inflammation
- Use correct equipment to decrease the quantity of dust and fumes in the air and to decrease dust on work equipment, surfaces, clothing and body parts. Examples of controls are dust collection systems and water sprays to bind dust. Decrease dust at the source where possible. Make sure that the equipment is correctly installed and used and that regular maintenance is done.
- Use approved respiratory protection. Make sure that the respiratory protection is applicable for the dangerous materials in the work area.
- Make sure that the airflow is sufficient in the work area.
- If it is possible, point the exhaust of the product where it cannot cause dust to go into the air.

Noise safety



WARNING: Read the warning instructions that follow before you use the product.

- High noise levels and long-term exposure to noise can cause noise-induced hearing loss.
- To keep the noise level to a minimum, do maintenance on and operate the product as given in the operator's manual.
- Use approved hearing protection while you operate the product.
- Listen for warning signals and voices when you use hearing protection. Remove the hearing protection when the product is stopped, unless hearing protection is necessary for the noise level in the work area.

Personal protective equipment



WARNING: Read the warning instructions that follow before you use the product.

- Always use approved personal protective equipment when you operate the product. Personal protective equipment cannot fully prevent injury but it decreases the degree of injury if an accident does occur. Let your dealer help you select the correct personal protective equipment.
- Regularly do a check of the condition of the personal protective equipment.
- Use an approved protective helmet.
- Use approved hearing protection.
- Use approved respiratory protection.
- Use approved eye protection with side protection.
- Use protective gloves.
- Use boots with steel toe-cap and non-slip sole.
- Use approved work clothing or equivalent close-fitting clothing that has long sleeves and long legs.

Safety instructions for maintenance



WARNING: Read the warning instructions that follow before you use the product.

- If the maintenance is not done correctly and regularly, the risk of injury and damage to the product increases.
- Use personal protective equipment. Refer to *Personal protective equipment on page 4*.
- Clean the product to remove dangerous material before you do the maintenance.
- Disconnect the product from the power source before you do the maintenance.
- Do not do modifications to the product. Modifications that are not approved by the manufacturer can cause serious injury or death.
- Always use original accessories and spare parts. Accessories and spare parts that are not approved by the manufacturer, can cause serious injury or death.
- Replace damaged, worn or broken parts.
- Only do the maintenance as given in this operator's manual. Let an approved service agent do all other servicing.
- After maintenance, do a check of the vibration level in the product. If it is not correct, speak to an approved service agent.
- Let an approved service agent do servicing on the product regularly.

Operation

Introduction



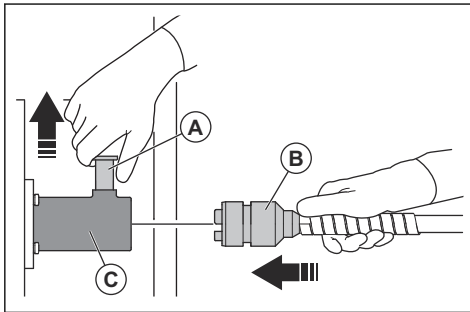
WARNING: Read and understand the safety chapter before you use the product.

To connect the concrete vibrator to the drive unit



WARNING: Do not connect a concrete vibrator to a drive unit that is started.

1. Lift the lockpin (A) on the drive unit.



2. Put the connector of the flexible shaft (B) into the coupling of the drive unit (C).
3. If the couplings of the concrete vibrator does not align with the coupling of the drive unit, do 1 of the procedure that follows.
 - a) Pull slowly the rope handle on the drive unit to rotate the crack shaft until the couplings align.
 - b) Rotate the couplings of the concrete vibrator until the couplings align.
4. Release the lockpin on the drive unit.
5. Make sure that the lockpin goes back to its initial position.

To start the product

1. Refer to the operator's manual of the drive unit for information on how to start the product.
2. If there is no vibration in the vibrator head, hit the side of the vibrator head to start the vibration.

To operate the product

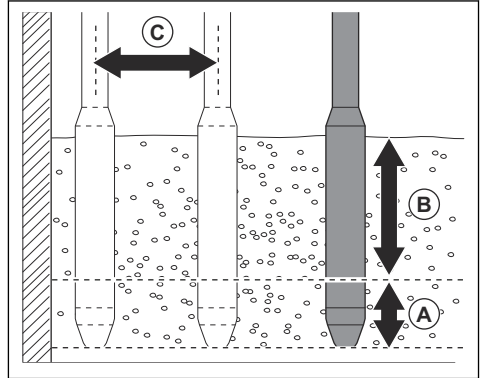


CAUTION: Do not make sharp bends or loops on the flexible shaft. Sharp bends and loops increase the wear and decrease the lifetime of the flexible shaft.

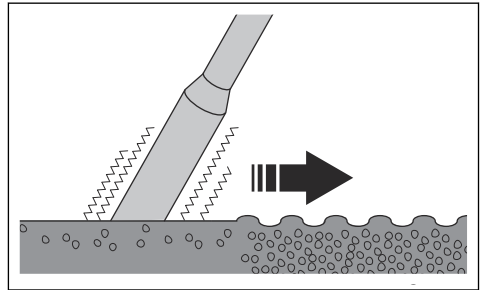


CAUTION: Do not use the product to move the concrete to the side.

1. Fill concrete in equally thick layers, 30–50 cm / 12–19 in. (B).
2. Put the vibrator head approximately 15 cm / 6 in. (A) down into the nearest lower layer of concrete. This causes the layers of concrete to mix correctly.



3. Wait approximately 10–20 seconds until the surface around the vibrator head is shiny and no air bubbles come to the surface.



4. Remove the vibrator head slowly to let the concrete fill the hole from the vibrator head.
5. Put the vibrator head down into the concrete at a distance of 30–50 cm / 12–19 in. (C) from where you put it before.
6. Do step 4 and 5 again and again. Continue until the air bubbles are fully removed from the area of concrete.

To stop the product

- Refer to the operator's manual of the drive unit for information on how to stop the product.

Maintenance

Introduction



WARNING: Read and understand the safety chapter before you do maintenance on the product.

To clean the product



CAUTION: Do not use a high-pressure washer to clean the product.

- Use running water from a hose to clean the product.
- Remove concrete from the surfaces of the product after each operation before the concrete becomes hard.
- Remove grease and oil from the product.

To do maintenance on the concrete vibrator

Maintenance is necessary after each 500 h of operation.

1. Put the vibrator head in a pipe vice.
2. Remove the end cap and the end shank.

Lubrication

Vibrator head	AA27	AA37	AA47	AA67	AA77	AZ26	AZ36	AZ46	AZ56
Grease type for the ball bearing ¹	Shell Alvania R3								
Quantity of grease for the ball bearing, cm ³	1	1.25	1.50	1.75	1.75	1	1.25	1.50	1.75
Grease type for the flexible shaft ²	Shell Gadus S2 V220AD 2								
Quantity of grease for the flexible shaft	10–15 g/m								

Note: The end cap and the end shank has a left hand thread.

3. Remove the flexible shaft from the vibrator head shaft.

Note: The flexible shaft and the vibrator head shaft has a right hand thread.

4. Remove the vibrator head shaft from the front of the vibrator head housing.
5. Replace the O-rings, the sealing sleeve and the ball bearing.
 - a) Lubricate the ball bearing before you install it.
6. Clean and lubricate the flexible shaft. Refer to *Lubrication on page 6*.
7. Assemble the vibrator head in the opposite sequence.



CAUTION: Do not lubricate the vibrator head housing, the vibrator head shaft or the end cap. These parts must be clean and dry when you assemble the vibrator head.

Storage and disposal

Storage

- Clean the product before storage.
- Keep the product in a dry and frost-free area.
- Keep the product in a locked area to prevent access for children or persons that are not approved.

- When the product no longer is used, send it to the dealer or discard it at a recycling location.

Disposal of the product

- Obey the local recycling requirements and applicable regulations.

¹ It is only necessary to lubricate when the bearing is replaced.

² Lubricate the flexible shaft after each 500 h of operation.

Technical data

	AA 27	AA 37	AA 47	AA 67	AA 77	AZ 26	AZ 36	AZ 46	AZ 56
Vibrator head diameter, mm	25	39	50	63	75	25	35	45	55
Vibrator head diameter, in.	1	1.53	1.97	2.48	2.95	1	1.4	1.77	2.16
Vibrator head length, mm	334	366	420	500	510	295	330	375	390
Vibrator head length, in.	13.15	14.40	16.53	19.68	20.07	11.60	12.99	14.76	15.35
Total weight, kg	10	19	23	25	29	9.50	11.60	16	17
Total weight, lbs	22.04	41.88	50.70	55.11	63.93	21	25.50	35.28	37.48
Length of flexible shaft, m	5.8	5.8	5.8	5.8	5.8	4.82	4.82	4.82	4.82
Length of flexible shaft, ft.	19	19	19	19	19	16	16	16	16
Max. engine speed, rpm	3000	3000	3000	3000	3000	3000	3000	3000	3000
Weighted effective acceleration, m/s ² / ft/s ² , ^{3, 4}	2.46	1.56	3.52	2.66	3.16	2.00	5.22	2.42	8.27
Sound power level L _{WA} (measured), dB (A) ⁵	-	-	-	-	-	83	86	87	93
Sound pressure level at work station, dB (A) ⁶	-	-	-	-	-	69	72	73	79

³ Weighted effective acceleration measured in water driving one poker, on the hose, at 2 m from the end of the poker (m/s²), according to EN ISO 5349-1.

⁴ Reported data for vibration level has a typical statistical dispersion (standard deviation) of 1.5 m/s².

⁵ Noise level measured in air at 1 m from the product according to EN ISO 3744 & EN ISO 11203. Uncertainty +/- 1.5dB.

⁶ Noise level measured in air at 1 m from the product according to EN ISO 3744 & EN ISO 11203. Uncertainty +/- 1.5dB.

Declaration of Conformity

EC Declaration of Conformity

We, **Husqvarna AB**, SE-561 82 Huskvarna, Sweden, tel:
+46-36-146500, declare on our sole responsibility that
the product:

Description	Concrete Vibrator Equipment
Brand	Husqvarna
Type/Model	AA / AZ + AA 27 / 37 / 47 / 67 / 77, AZ 26 / 36 / 46 / 56
Identification	Serial numbers dating from 2020 and onwards

complies fully with the following EU directives and
regulations:

Directive/Regulation	Description
2006/42/EC	"relating to machinery"
2014/30/EU	"relating to electromagnetic compatibility"

and that the following harmonized standards and/or
technical specifications are applied;

EN 12649:2008+A1:2011, EN ISO 12100:2010

Partille, 2021-10-28



Martin Huber
R&D Director, Concrete Surfaces & Floors
Husqvarna AB, Construction Division
Responsible for technical documentation

UK Declaration of Conformity

We, Husqvarna AB, SE-561 82 Huskvarna, SWEDEN,
Tel: +46 36 146500 declare on our sole responsibility
that the product:

Description	Concrete Vibrator Equipment
Brand	Husqvarna
Type/Model	AA / AZ + AA 27 / 37 / 47 / 67 / 77, AZ 26 / 36 / 46 / 56
Identification	Serial numbers dating from 2020 and onwards

complies fully with the following UK directives and regulations:

The Supply of Machinery (Safety) Regulations 2008
Electromagnetic Compatibility Regulations 2016

and that the following standards and/or technical specifications are applied;

EN 12649:2008+A1:2011, EN ISO 12100:2010

Partille, 2021-10-28



Martin Huber

R&D Director, Concrete Surfaces & Floors

Husqvarna AB, Construction Division

Responsible for technical documentation



UK Importer:

Husqvarna UK Limited

Preston Road, Aycliffe

Business Park Newton

Aycliffe, County Durham

UK DL5 6UP



www.husqvarnacp.com

Original instructions

1140439-26



2022-02-09