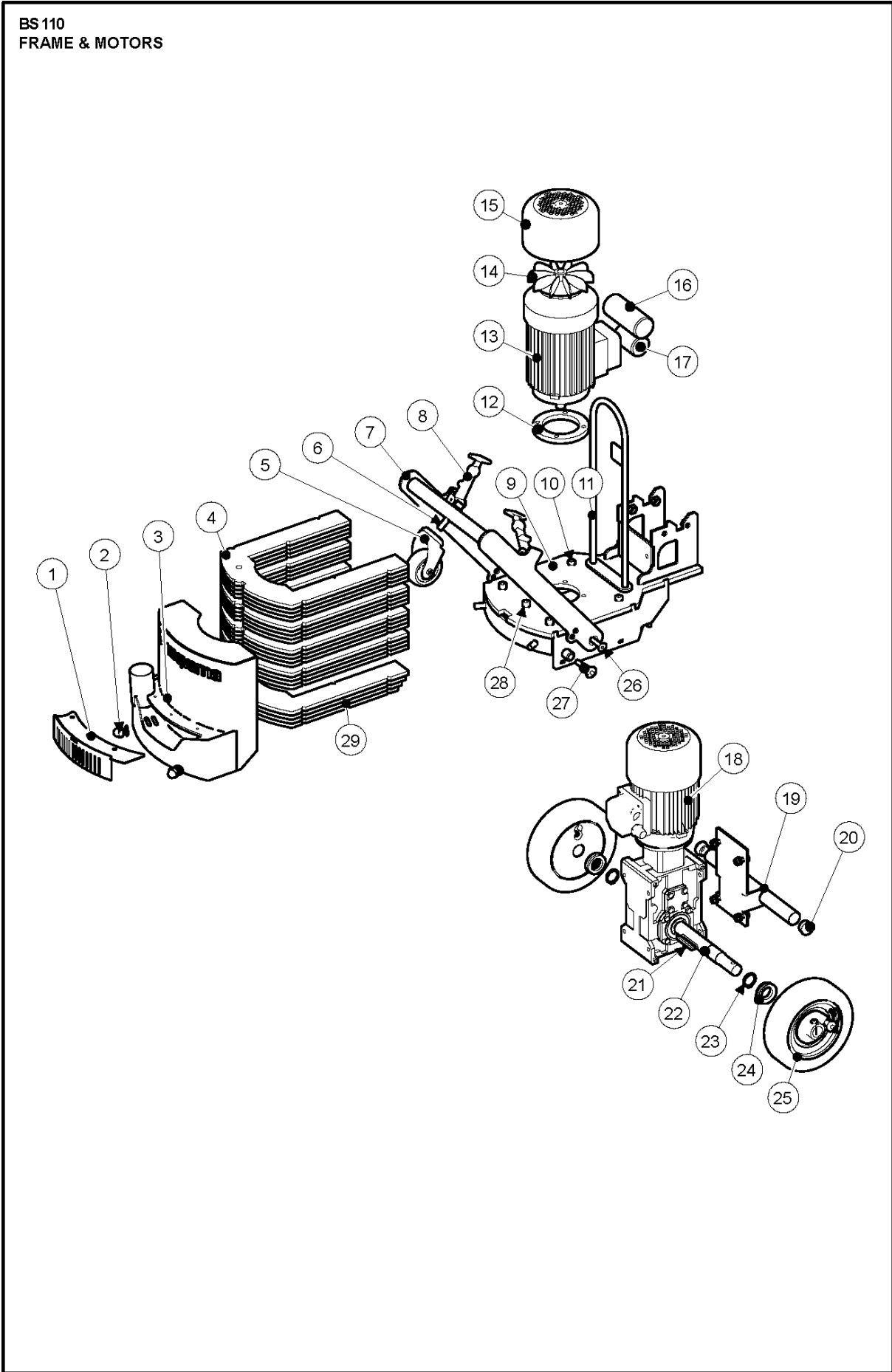




SPARE PARTS LIST

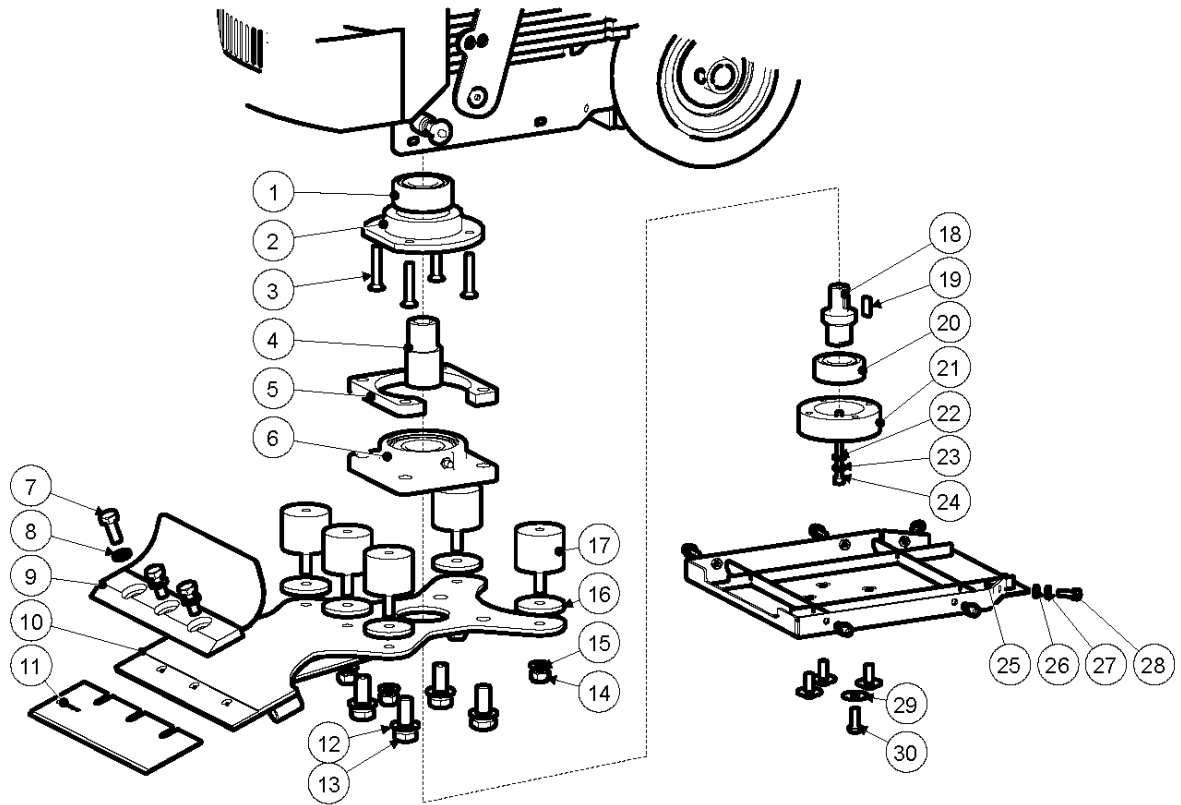
SCRAPERS

BS 110, 2022-04



Ref	Part No	Description	Remark	QTY KIT
1	534935002	TBD	WEIGHT	1
2	900 00 00-02	DUMMY PART	DUMMY PART	1
3	536939001	TBD	WEIGHT	1
4	533 27 80-01	WEIGHT	WEIGHT	4
5	533 81 55-01	SWIVEL	SWIVEL	1
6	900 00 00-02	DUMMY PART	DUMMY PART	1
7	533 43 82-01	HANDLE	HANDLE	1
8	531 47 12-01	LOCK	LOCK	2
9	533 06 90-01	FRAME	FRAME	1
10	900 00 00-02	DUMMY PART	DUMMY PART	2
11	533 20 33-01	LIFTING SYSTEM	LIFTING SYSTEM	1
12	533 23 87-01	PLATE	PLATE	1
13	533 61 43-01	MOTOR	MOTOR	1
13	535 91 30-02	MOTOR	MOTOR	1
14	534 56 71-01	FAN COVER	FAN COVER	1
15	534 41 27-01	FAN	FAN	1
16	534 32 76-01	CAPACITOR	CAPACITOR	1
16	534 85 32-01	CAPACITOR	CAPACITOR	1
17	533 21 07-01	CAPACITOR	CAPACITOR	1
17	533 21 06-01	CAPACITOR	CAPACITOR	1
18	533 20 84-01	FAN COVER	FAN COVER	1
18	533 24 13-01	FAN	FAN	1
18	535 67 88-01	PLUG	PLUG	1
18	534 89 97-02	MOTOR KIT	MOTOR KIT	1
19	535 18 05-01	UNIT	UNIT	1
20	534 77 86-01	CAP	CAP	2
21	533 51 41-01	KEY	KEY	1
22	533 42 51-01	SHAFT	SHAFT	1
23	900 00 00-02	DUMMY PART	DUMMY PART	2
24	533 21 88-01	SEAL	SEAL	2
25	533 52 92-01	WHEEL	WHEEL	2
26	900 00 00-02	DUMMY PART	DUMMY PART	2
27	533 65 37-01	PIN	PIN	2
28	900 00 00-02	DUMMY PART	DUMMY PART	3
29	533 24 46-01	WEIGHT	WEIGHT	1

BS 110
CUTTING HEAD & BEARINGS

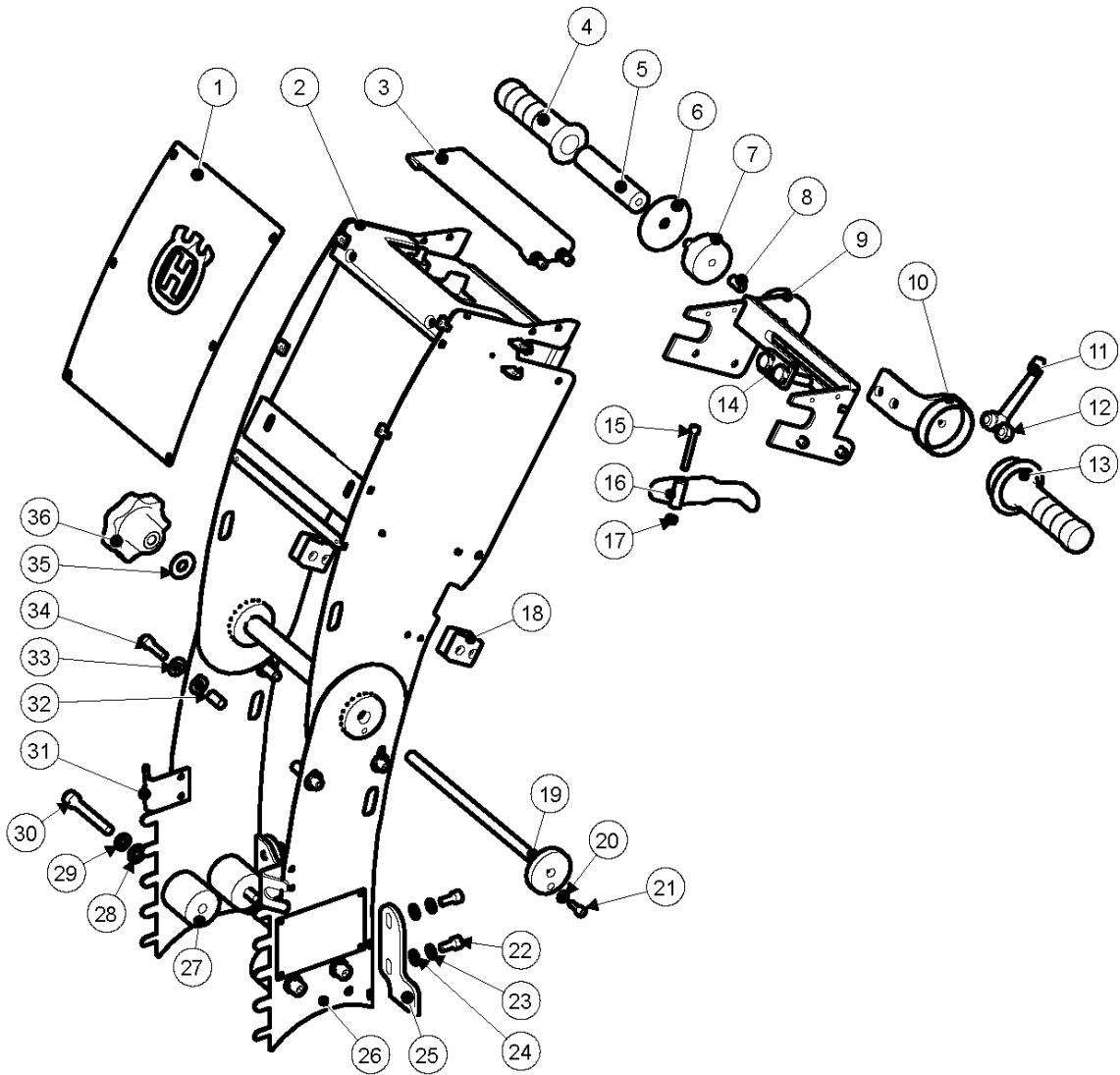


CUTTING HEAD

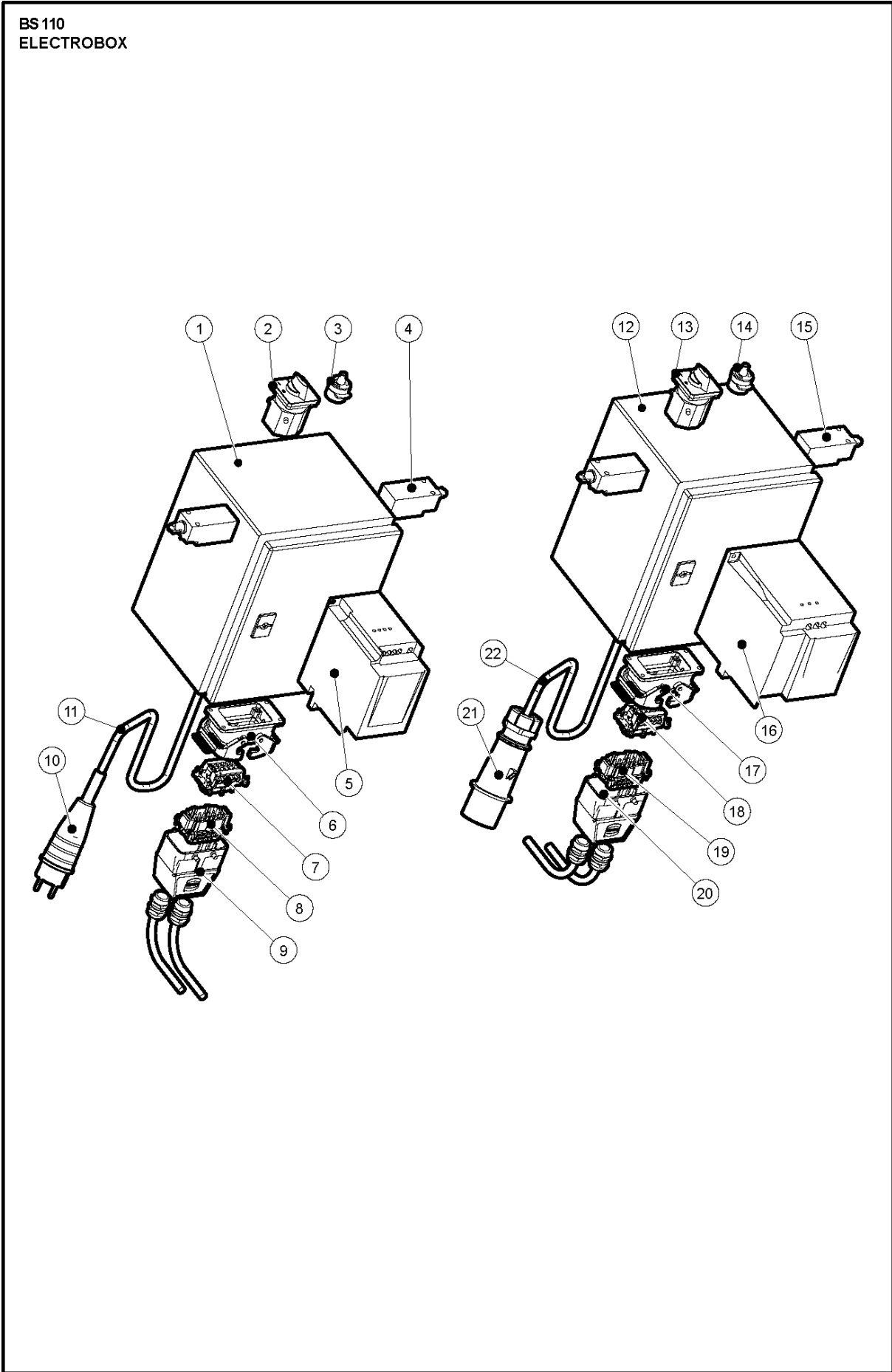
BS 110, 2022-04

Ref	Part No	Description	Remark	QTY KIT
1	533 79 44-01	BEARING	BEARING	1
2	533 67 10-01	BEARING HOUSING	BEARING HOUSING	1
3	900 00 00-02	DUMMY PART	DUMMY PART	4
4	533 26 98-01	BUSH	BUSH	1
5	533 49 61-01	BEARING PLATE	BEARING PLATE	1
6	533 43 06-01	BEARING	BEARING	1
7	900 00 00-02	DUMMY PART	DUMMY PART	3
8	900 00 00-02	DUMMY PART	DUMMY PART	3
9	534 32 87-02	COVER	COVER	1
10	533 59 69-02	HEAD	HEAD	1
11	900 00 00-02	DUMMY PART	DUMMY PART	1
12	900 00 00-02	DUMMY PART	DUMMY PART	4
13	900 00 00-02	DUMMY PART	DUMMY PART	4
14	900 00 00-02	DUMMY PART	DUMMY PART	5
15	900 00 00-02	DUMMY PART	DUMMY PART	5
16	534 57 47-01	WASHER	WASHER	5
17	533 85 19-01	ABSORBER	ABSORBER	5
18	534 87 69-01	SHAFT	SHAFT	1
19	533 48 39-01	KEY	KEY	1
20	534 31 29-01	BEARING	BEARING	1
21	536 55 47-01	SUPPORT	SUPPORT	1
22	534 69 15-01	WASHER	WASHER	1
23	533 48 19-01	WASHER	WASHER	1
24	900 00 00-02	DUMMY PART	DUMMY PART	1
25	534 36 14-01	PLATE	PLATE	1
26	533 48 19-01	WASHER	WASHER	6
27	534 69 15-01	WASHER	WASHER	6
28	900 00 00-02	DUMMY PART	DUMMY PART	6
29	900 00 00-02	DUMMY PART	DUMMY PART	4
30	900 00 00-02	DUMMY PART	DUMMY PART	4

BS 110
UPPER HANDLE

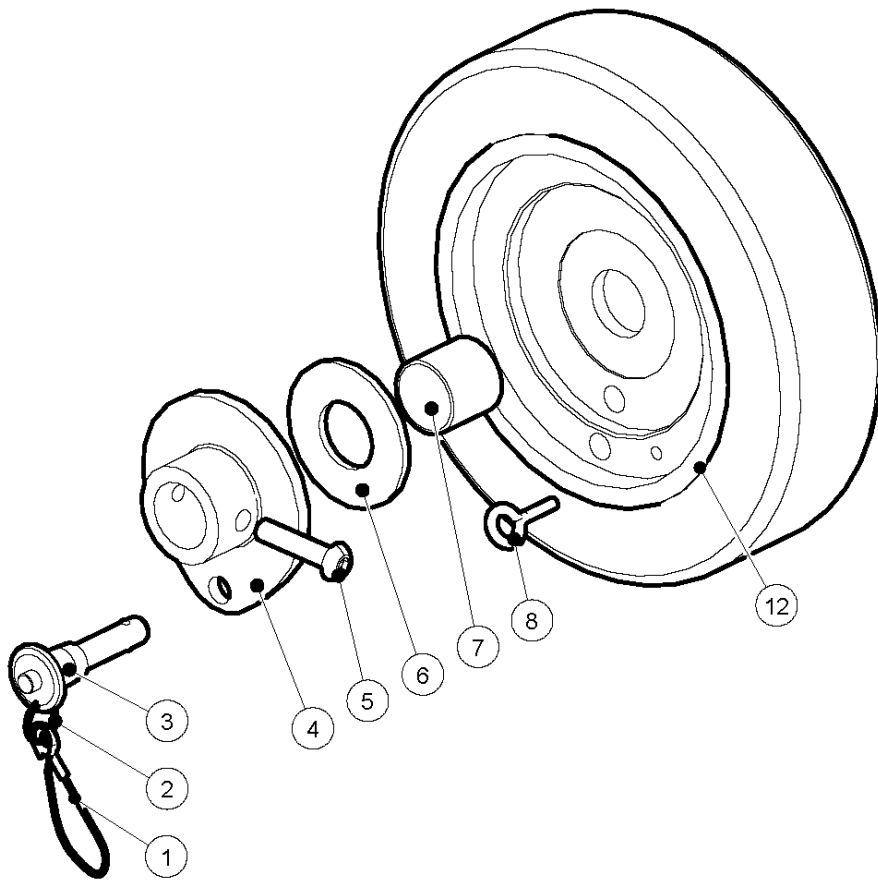


Ref	Part No	Description	Remark	QTY KIT
1	534 55 77-01	PLATE	PLATE	1
2	534 61 17-01	HANDLE	HANDLE	1
3	535 15 48-01	COVER	COVER	1
4	534 61 29-01	HANDLE	HANDLE	2
5	534 61 12-01	BAR	BAR	2
6	534 61 42-01	WASHER	WASHER	2
7	533 84 82-01	ABSORBER	ABSORBER	2
8	533 38 19-01	SCREW	SCREW	2
9	535 19 03-01	HANDLE BRACKET	HANDLE BRACKET	1
10	535 24 38-01	BRACKET	BRACKET	1
11	533 51 21-01	CLAMP	CLAMP	1
12	900 00 00-02	DUMMY PART	DUMMY PART	1
13	533 69 78-01	HANDLE	HANDLE	2
14	535 24 40-01	PLATE	PLATE	1
15	900 00 00-02	DUMMY PART	DUMMY PART	2
16	534 88 07-01	SWITCH	SWITCH	2
17	900 00 00-02	DUMMY PART	DUMMY PART	2
18	534 04 44-01	PIPE CLAMP	PIPE CLAMP	2
19	534 30 29-01	AXLE	AXLE	1
20	900 00 00-02	DUMMY PART	DUMMY PART	5
21	900 00 00-02	DUMMY PART	DUMMY PART	5
22	900 00 00-02	DUMMY PART	DUMMY PART	4
23	900 00 00-02	DUMMY PART	DUMMY PART	4
24	900 00 00-02	DUMMY PART	DUMMY PART	4
25	533 34 98-01	PLATE	PLATE	2
26	535 11 67-01	HANDLE	HANDLE	1
27	534 51 48-01	BUSH	BUSH	4
28	900 00 00-02	DUMMY PART	DUMMY PART	4
29	900 00 00-02	DUMMY PART	DUMMY PART	4
30	900 00 00-02	DUMMY PART	DUMMY PART	4
31	534 66 72-01	LATCH PLATE	LATCH PLATE	2
32	900 00 00-02	DUMMY PART	DUMMY PART	4
33	900 00 00-02	DUMMY PART	DUMMY PART	8
34	900 00 00-02	DUMMY PART	DUMMY PART	4
35	900 00 00-02	DUMMY PART	DUMMY PART	1
36	534 66 56-01	UNIT	UNIT	1



Ref	Part No	Description	Remark	QTY KIT
1	535349102	TBD	ELECTRONIC BOX	1
2	534 89 04-01	SWITCH	SWITCH	1
3	533 38 61-01	POTENTIOMETER	POTENTIOMETER	1
4	534 66 81-01	SWITCH	SWITCH	2
5	534 59 17-01	FREQUENCY INVERTER	FREQUENCY INVERTER	1
6	534 76 87-01	PLUG	PLUG	1
7	534 64 33-01	CONNECTOR	CONNECTOR	1
8	534 64 35-01	CONNECTOR	CONNECTOR	1
9	534 76 85-01	PLUG	PLUG	1
10	534 76 75-01	PLUG	PLUG	1
11	534 77 25-01	POWER UNIT	POWER UNIT	1
12	535 34 92-02	ELECTRONIC BOX	ELECTRONIC BOX	1
13	534 89 04-01	SWITCH	SWITCH	1
14	533 38 61-01	POTENTIOMETER	POTENTIOMETER	1
15	534 66 81-01	SWITCH	SWITCH	2
16	533 76 57-01	FREQUENCY INVERTER	FREQUENCY INVERTER	1
17	534 76 87-01	PLUG	PLUG	1
18	534 64 33-01	CONNECTOR	CONNECTOR	1
19	534 64 35-01	CONNECTOR	CONNECTOR	1
20	534 76 85-01	PLUG	PLUG	1
21	534 76 72-01	PLUG	PLUG	1
22	534 77 25-01	POWER UNIT	POWER UNIT	1

BS 110
DRIVE WHEEL

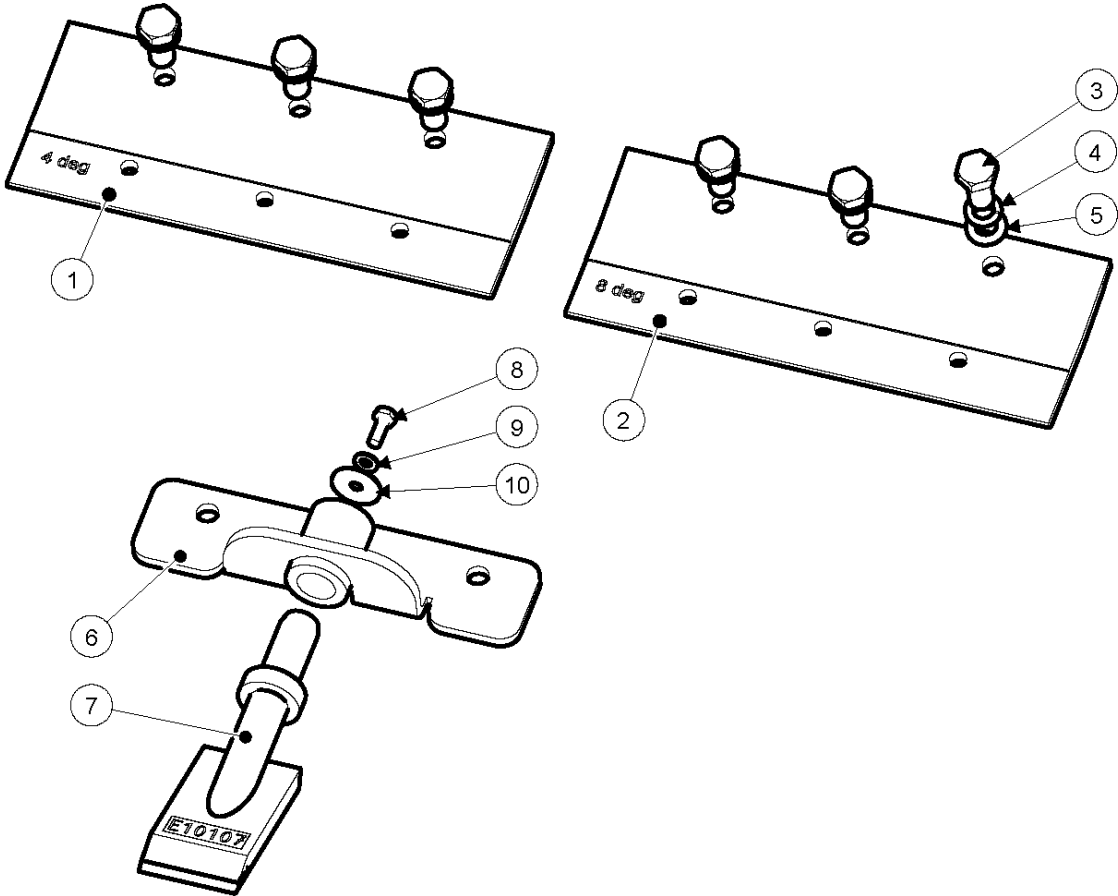


DRIVE WHEEL ASSY

BS 110, 2022-04

Ref	Part No	Description	Remark	QTY KIT
1	534 37 56-01	CABLE	CABLE	1
2	534 85 92-01	RING	RING	1
3	533 65 37-01	PIN	PIN	1
4	534 94 02-01	HUB	HUB	1
5	534 69 52-01	CAP	CAP	1
6	536 46 70-01	WASHER	WASHER	1
7	533 11 12-01	BEARING	BEARING	1
8	534 69 07-01	BOLT	BOLT	1
12	533 52 92-01	WHEEL	WHEEL	1

BS 110
ACCESSORIES



Ref	Part No	Description	Remark	QTY KIT
1	536988101	TBD	BLADE	1
2	536988102	TBD	BLADE	1
3	900 00 00-02	DUMMY PART	DUMMY PART	6
4	900 00 00-02	DUMMY PART	DUMMY PART	6
5	900 00 00-02	DUMMY PART	DUMMY PART	6
6	536988201	TBD	HOLDER	1
7	533 81 21-01	CHISEL GUIDE	CHISEL GUIDE	1
8	534 69 23-01	SCREW	SCREW	1
9	534 69 15-01	WASHER	WASHER	1
10	534 69 29-01	WASHER	WASHER	1
11	534 90 19-01	BOX	BOX	1
12	534 61 82-01	BLADE	BLADE	1
13	534 61 83-01	BLADE	BLADE	1
14	534 61 85-01	BLADE	BLADE	1
15	534 61 89-01	BLADE	BLADE	1
16	534 77 32-01	BLADE	BLADE	1
17	534 77 33-01	BLADE	BLADE	1
18	534 77 37-01	BLADE	BLADE	1
19	534 77 39-01	BLADE	BLADE	1
20	534 82 55-01	BLADE	BLADE	1
21	534 82 61-01	BLADE	BLADE	1
22	533 83 05-01	BLADE	BLADE	1