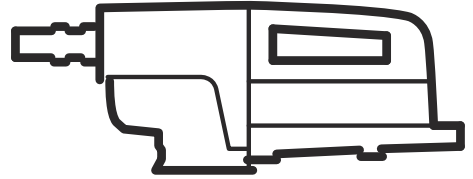




Husqvarna®



DM700

EN	Operator's manual
DE	Bedienungsanweisung
FR	Manuel d'utilisation
NL	Gebruiksaanwijzing

2-18
19-36
37-53
54-70

Contents

Introduction.....	2	Transportation and storage.....	13
Safety.....	3	Technical data.....	14
Assembly.....	7	Accessories.....	16
Operation.....	8	Service.....	16
Maintenance.....	11	Declaration of Conformity.....	17

Introduction

Product description

This drill motor is an electric core drill that is used with an approved drill stand. The power source is a power pack.

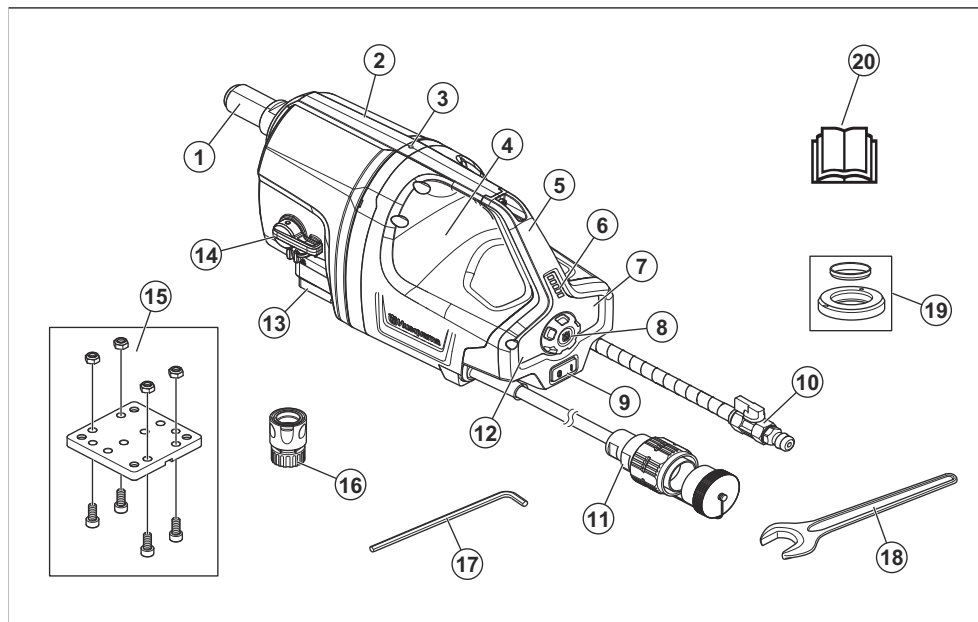
The diamond drill bit is a hollow drill that has diamond segments. Water goes through the ball valve, the hose and the diamond drill bit. The water flushes the drilled material out of the slot and decreases the temperature in the drill bit.

Intended use

The product is used to drill hard masonry, steel and other hard materials. The product is used installed on an approved drill stand. All other use is incorrect.

The product is used in industrial operations by operators with experience.

Product overview



- | | |
|------------------------|---|
| 1. Drill spindle | 7. Iron button |
| 2. Gearbox | 8. Gear selector, electronic gears |
| 3. Leak indicator | 9. ON/OFF switch |
| 4. Product body | 10. GARDENA® male coupling with water valve |
| 5. Handle | 11. Connection for power supply |
| 6. Work load indicator | 12. Selected electronic gear |

13. Quick mounting plate for Husqvarna drill stand
14. Gear selector, mechanical gears
15. Installation plate for Husqvarna drill stand
16. GARDENA® water connector
17. Hex key, 8 mm
18. Wrench
19. Friction ring
20. Operator's manual



This product complies with applicable EC directives.



Environmental mark. The product or package of the product is not domestic waste. Recycle it at an approved disposal location for electrical and electronic equipment.

Symbols on the product



WARNING! This product can be dangerous and cause serious injury or death to the operator or others. Be careful and use the product correctly.



Read the operator's manual carefully and make sure that you understand the instructions before you use this product.



Always use approved personal protective equipment. Refer to *Personal protective equipment on page 6*.

Note: Other symbols/decals on the product refer to special certification requirements for some markets.

Product liability

As referred to in the product liability laws, we are not liable for damages that our product causes if:

- the product is incorrectly repaired.
- the product is repaired with parts that are not from the manufacturer or not approved by the manufacturer.
- the product has an accessory that is not from the manufacturer or not approved by the manufacturer.
- the product is not repaired at an approved service center or by an approved authority.

Safety

Safety definitions

Warnings, cautions and notes are used to point out specially important parts of the manual.



WARNING: Used if there is a risk of injury or death for the operator or bystanders if the instructions in the manual are not obeyed.



CAUTION: Used if there is a risk of damage to the product, other materials or the adjacent area if the instructions in the manual are not obeyed.

Note: Used to give more information that is necessary in a given situation.

General power tool safety warnings



WARNING: Read all safety warnings, instructions, illustrations and specifications provided with this power tool. Failure to follow all instructions listed below may result in electric shock, fire and/or serious injury.

Note: Save all warnings and instructions for future reference. The term "power tool" in the warnings refers to your mains-operated (corded) power tool or battery-operated (cordless) power tool.

Work area safety

- **Keep work area clean and well lit.** Cluttered or dark areas invite accidents.
- **Do not operate power tools in explosive atmospheres, such as in the presence of flammable liquids, gases or dust.** Power tools create sparks which may ignite the dust or fumes.
- **Keep children and bystanders away while operating a power tool.** Distractions can cause you to lose control.

Electrical safety

- **Power tool plugs must match the outlet. Never modify the plug in any way. Do not use any adapter plugs with earthed (grounded) power tools.** Unmodified plugs and matching outlets will reduce risk of electric shock.
- **Avoid body contact with earthed or grounded surfaces, such as pipes, radiators, ranges and refrigerators.** There is an increased risk of electric shock if your body is earthed or grounded.

- **Do not expose power tools to rain or wet conditions.** Water entering a power tool will increase the risk of electric shock.
- **Do not abuse the cord. Never use the cord for carrying, pulling or unplugging the power tool. Keep cord away from heat, oil, sharp edges or moving parts.** Damaged or entangled cords increase the risk of electric shock.
- **When operating a power tool outdoors, use an extension cord suitable for outdoor use.** Use of a cord suitable for outdoor use reduces the risk of electric shock.
- **If operating a power tool in a damp location is unavoidable, use a residual current device (RCD) protected supply.** Use of a RCD reduces the risk of electric shock.

Personal safety

- **Stay alert, watch what you are doing and use common sense when operating a power tool. Do not use a power tool while you are tired or under the influence of drugs, alcohol or medication.** A moment of inattention while operating power tools may result in serious personal injury.
- **Use personal protective equipment. Always wear eye protection.** Protective equipment such as dust mask, non-skid safety shoes, hard hat or hearing protection used for appropriate conditions will reduce personal injuries.
- **Prevent unintentional starting. Ensure the switch is in the off-position before connecting to power source and/or battery pack, picking up or carrying the tool.** Carrying power tools with your finger on the switch or energising power tools that have the switch on invites accidents.
- **Remove any adjusting key or wrench before turning the power tool on.** A wrench or a key left attached to a rotating part of the power tool may result in personal injury.
- **Do not overreach. Keep proper footing and balance at all times.** This enables better control of the power tool in unexpected situations.
- **Dress properly. Do not wear loose clothing or jewellery. Keep your hair and clothing away from moving parts.** Loose clothes, jewellery or long hair can be caught in moving parts.
- **If devices are provided for the connection of dust extraction and collection facilities, ensure these are connected and properly used.** Use of dust collection can reduce dust-related hazards.
- **Do not let familiarity gained from frequent use of tools allow you to become complacent and ignore tool safety principles.** A careless action can cause severe injury within a fraction of a second.

Power tool use and care

- **Do not force the power tool. Use the correct power tool for your application.** The correct power tool will

do the job better and safer at the rate for which it was designed.

- **Do not use the power tool if the switch does not turn it on and off.** Any power tool that cannot be controlled with the switch is dangerous and must be repaired.
- **Disconnect the plug from the power source and/or remove the battery pack, if detachable, from the power tool before making any adjustments, changing accessories, or storing power tools.** Such preventive safety measures reduce the risk of starting the power tool accidentally.
- **Store idle power tools out of the reach of children and do not allow persons unfamiliar with the power tool or these instructions to operate the power tool.** Power tools are dangerous in the hands of untrained users.
- **Maintain power tools and accessories. Check for misalignment or binding of moving parts, breakage of parts and any other condition that may affect the power tool's operation. If damaged, have the power tool repaired before use.** Many accidents are caused by poorly maintained power tools.
- **Keep cutting tools sharp and clean.** Properly maintained cutting tools with sharp cutting edges are less likely to bind and are easier to control.
- **Use the power tool, accessories and tool bits etc. in accordance with these instructions, taking into account the working conditions and the work to be performed.** Use of the power tool for operations different from those intended could result in a hazardous situation.
- **Keep handles and grasping surfaces dry, clean and free from oil and grease.** Slippery handles and grasping surfaces do not allow for safe handling and control of the tool in unexpected situations.

Service

- **Have your power tool serviced by a qualified repair person using only identical replacement parts.** This will ensure that the safety of the power tool is maintained.

Diamond drill safety warnings

- **When performing drilling that requires the use of water, route the water away from the operator's work area or use a liquid collection device.** Such precautionary measures keep the operator's work area dry and reduce the risk of electrical shock.
- **Operate power tool by insulated grasping surfaces, when performing an operation where the cutting accessory may contact hidden wiring or its own cord.** Cutting accessory contacting a "live" wire may make exposed metal parts of the power tool "live" and could give the operator an electric shock.
- **Wear hearing protection when diamond drilling.** Exposure to noise can cause hearing loss.
- **When the bit is jammed, stop applying downward pressure and turn off the tool.** Investigate and take

corrective actions to eliminate the cause of the bit jamming.

- **When restarting a diamond drill in the workpiece, check that the bit rotates freely before starting.** If the bit is jammed, it may not start, may overload the tool, or may cause the diamond drill to release from the workpiece.
- **When securing the drill stand with anchors and fasteners to the workpiece, ensure that the anchoring used is capable of holding and restraining the machine during use.** If the workpiece is weak or porous, the anchor may pull out causing the drill stand to release from the workpiece.
- **When the drilling through walls or ceilings, ensure to protect persons and the work area on the other side.** The bit may extend through the hole or the core may fall out on the other side.
- **When drilling overhead, always use the liquid collection device specified in the instructions. Do not allow water to flow into the tool.** Water entering the power tool will increase the risk of electric shock.

General safety instructions



WARNING: Read the warning instructions that follow before you use the product.

- This product is a dangerous tool if you are not careful or if you use the product incorrectly. This product can cause serious injury or death to the operator or others. Before you use the product, you must read and understand the contents of this operator's manual.
- Save all warnings and instructions.
- Comply with all applicable laws and regulations.
- The operator and the employer of the operator must know and prevent the risks during operation of the product.
- Do not let a person operate the product unless they read and understand the contents of the operator's manual.
- Do not operate the product unless you receive training before use. Make sure that all operators receive training.
- Do not let a child operate the product.
- Only let approved persons operate the product.
- The operator is responsible for accidents that occur to other persons or their property.
- Do not use the product if you are tired, ill, or under the influence of alcohol, drugs or medicine.
- Always be careful and use your common sense.
- This product produces an electromagnetic field during operation. This field can under some circumstances interfere with active or passive medical implants. To decrease the risk of serious injury or death, we recommend persons with medical implants to speak to their physician and the medical implant manufacturer before operating this product.

- Keep the product clean. Make sure that you can clearly read signs and decals.
- Do not use the product if it is damaged.
- Do not make modifications to this product.
- Do not operate the product if it is possible that other persons have made modifications to the product.

Always use common sense



WARNING: Under no circumstances should you modify the original design of the machine without approval from the manufacturer. Always use original spare parts. Unauthorized modifications and/or accessories may lead to serious injury or death to the user or others.



WARNING: The use of products such as cutters, grinders, drills, that sand or form material can generate dust and vapours which may contain hazardous chemicals. Check the nature of the material you intend to process and use an appropriate breathing mask.

It is not possible to cover every conceivable situation you can face when using a drilling machine. Always exercise care and use your common sense. Avoid all situations which you consider to be beyond your capability. If you still feel uncertain about operating procedures after reading these instructions, you should consult an expert before continuing. Do not hesitate to contact your dealer or us if you have any more questions about the use of the drilling machine. We will willingly be of service and provide you with advice as well as help you to use your drilling machine both efficiently and safely.

Do not hesitate to contact your dealer if you have any more questions about the use of the machine. We will willingly be of service and provide you with advice as well as help you to use your machine both efficiently and safely.

Let your Husqvarna dealer check the drilling machine regularly and make essential adjustments and repairs.

Husqvarna Construction Products has a policy of continuous product development. Husqvarna reserves the right to modify the design and appearance of products without prior notice and without further obligation introduce design modifications.

All information and all data in the operator's manual were applicable at the time the operator's manual was sent to print.

Safety instructions for operation



WARNING: Read the warning instructions that follow before you use the product.

- Do not operate the product unless you can get aid if an accident occurs.
- Do not use the product in bad weather, such as fog, rain, strong winds, intense cold and equivalent conditions. Dangerous conditions, such as slippery surfaces, can occur because of bad weather.
- Look out for persons, objects and situations that can prevent safe operation of the product.
- When the drill points up during operation, always use an applicable container to collect the water.
- Always attach the product to an applicable drill stand before operation. Refer to *To attach the product to a drill stand on page 7*.
- Make sure that you always can stop the motor quickly in an emergency.
- Make sure that there are no pipes or electrical cables in the area where the hole will be made.
- If the product does not operate correctly, stop the motor.
- Make sure that you are in a safe and stable position during operation.
- Stay at a distance from the drill bit when the motor is on.
- Do not go away from the product when the motor is on.
- Always disconnect the power cord before you go away from the product.
- Keep all parts in good condition and make sure that all fixtures are correctly tightened.
- If vibrations occur in the product or the noise level from the product is unusually high, stop the product immediately. Examine the product for damages. Repair damages or let an approved service agent do the repair.
- Always use approved accessories. Speak to your dealer for more information.

Extension cables

- Use only approved extension cables with sufficient length.
- The rated value on the extension cable must be the same or higher than given on the rating plate of the product.
- Use grounded extension cables.
- When you operate the product outdoors, use an extension cable that is applicable for outdoor operation. This decreases the risk of electrical shock.
- Keep the connection to the extension cable dry and off the ground.

- Keep the extension cable away from heat, oil, sharp edges or moving parts. A damaged cable increases the risk of electrical shock.
- Make sure that the extension cable is in good condition and not damaged.
- Do not use the extension cable while it is wound up. This can cause the extension cable to become too hot.
- Make sure that the extension cable is behind you and the product when you use the product. This prevents damage to the extension cable.

Personal protective equipment



WARNING: Read the warning instructions that follow before you use the product.

- Always use approved personal protective equipment when you operate the product. Personal protective equipment cannot fully prevent injury but it decreases the degree of injury if an accident does occur. Let your dealer help you select the correct personal protective equipment.
- Regularly do a check of the condition of the personal protective equipment.
- Use an approved protective helmet.
- Use approved hearing protection.
- Use approved respiratory protection.
- Use approved eye protection with side protection.
- Use protective gloves.
- Use boots with steel toe-cap and non-slip sole.
- Use approved work clothing or equivalent close-fitting clothing that has long sleeves and long legs.

Fire extinguisher

- Keep a fire extinguisher near during operation.
- Use a powder fire extinguisher of "ABE" class or a carbon dioxide fire extinguisher of "BE" type.

Safety devices on the product

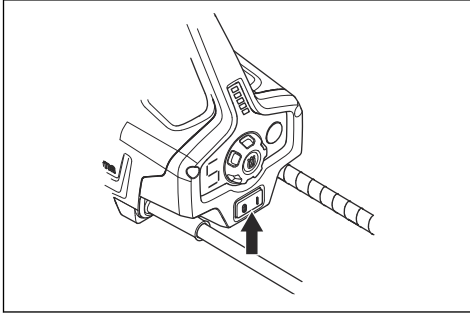


WARNING: Read the warning instructions that follow before you use the product.

- Do not use a product with defective safety devices.
- Do a check of the safety devices regularly. If the safety devices are defective, speak to your Husqvarna service agent.
- Do not make modifications to safety devices.

ON/OFF switch

The ON/OFF switch is used to start and stop the product.



To do a check of the ON/OFF switch

1. Connect the product to the power supply.
2. Set the ON/OFF switch to "1" to start the product.
3. Set the ON/OFF switch to "0" and make sure that the product stops.

Friction clutch

The friction clutch is integrated in the gearbox of the product. It prevents damage to the product if the drill bit stops during operation. If the load is too high, the friction clutch is released and stops the drill spindle but keeps the motor on for some seconds. The friction clutch engages again if the load is decreased and the

operation can continue. If the drill bit is caught in the material and fully stops, the friction clutch stops the motor immediately.



CAUTION: Make sure that the release time of the clutch is not more than 3-4 seconds, because if not wear and heat will increase quickly.

Safety instructions for maintenance



WARNING: Read the warning instructions that follow before you use the product.

- Stop the product and disconnect the power supply before you do the maintenance.
- Use personal protective equipment.
- Keep all parts in good condition and make sure that all fixtures are correctly tightened.
- Do the safety checks, maintenance and the servicing as given in this manual. All other maintenance work must be done by an approved servicing dealer.
- If it is necessary to replace the power cord or electrical connection, this must be done by an approved servicing dealer.
- Do the maintenance to make sure that the product operates correctly. Refer to *Maintenance schedule on page 11*.
- Do not use a product that is defective.

Assembly

Introduction



WARNING: Read and understand the safety chapter before you assemble the product.



WARNING: To prevent injury, disconnect the power cord and remove the drill bit before assembly.

To attach the product to a drill stand

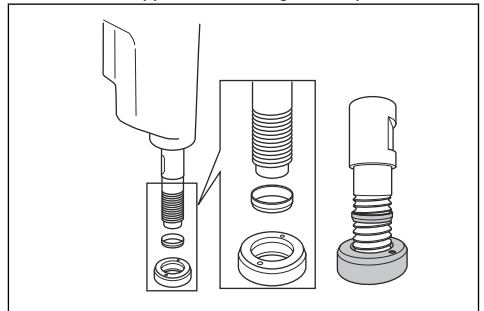


CAUTION: Read the operator's manual for the drill stand carefully.

- To attach the product to a drill stand, refer to the manual for the drill stand.
- Use only with approved Husqvarna drill stands. Refer to *Applicable drill stands on page 16*.

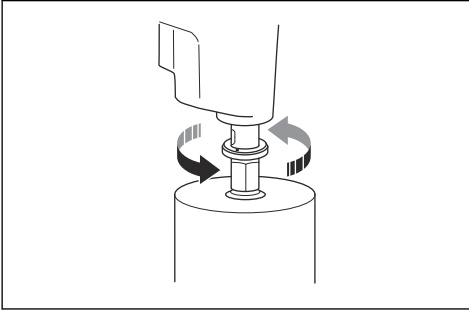
To install a drill bit

1. Install the supplied friction ring to the spindle shaft.



Note: The friction ring prevents damage to the spindle shaft and the gearbox during removal of the drill bit.

- Turn the drill bit counterclockwise to install it. Tighten fully.



Operation

To do before you operate the product

- Read the operator's manual carefully and make sure that you understand the instructions.
- Read the operator's manual for the drill stand carefully and make sure that you understand the instructions.
- Use personal protective equipment. Refer to *Personal protective equipment on page 6*.
- Do the daily maintenance. Refer to *Maintenance schedule on page 11*.
- Make sure that only approved persons are in the work area.
- Make sure that the product is assembled correctly and not damaged. The drill bit and the drill stand must be attached correctly.
- Make sure that the water system is not damaged and that it is connected to the product.

To connect and open the water supply



CAUTION: Make sure that the maximum water pressure is not too high, refer to *Technical data on page 14*.

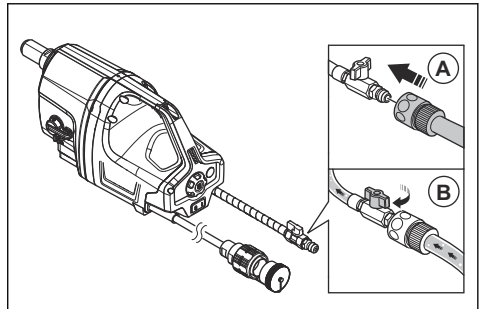


CAUTION: Use only clean water to prevent that dirt causes a blockage in the water system.



CAUTION: Use only an approved water supply coupling. Speak to your dealer for more information.

- Connect the ball valve to the water supply (A).



- Open the water system (B). Set the water pressure to remove all waste material from the drill hole.

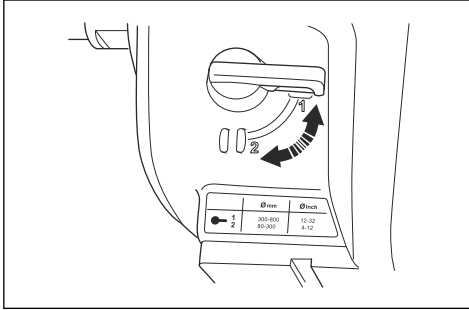
To start the product



WARNING: Make sure that the drill bit can rotate freely. It starts to rotate when the motor starts.

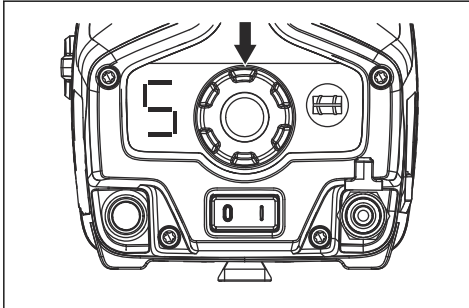
- Connect the product to an applicable power pack.
- Connect the power pack to a mains socket.

3. To set the operation speed, turn the drill spindle and at the same time move the gear selector. Set the gear selector in the correct position for the operation.

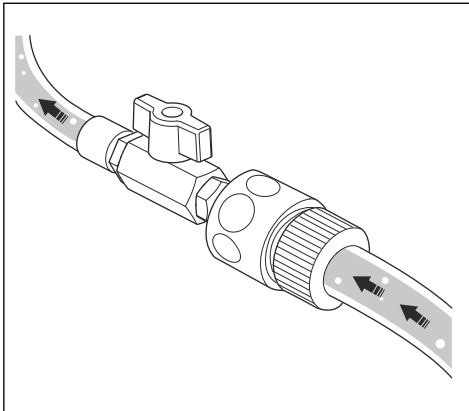


CAUTION: Do not move the mechanical gear selector when the product is on. There is a risk of damage to the gearbox.

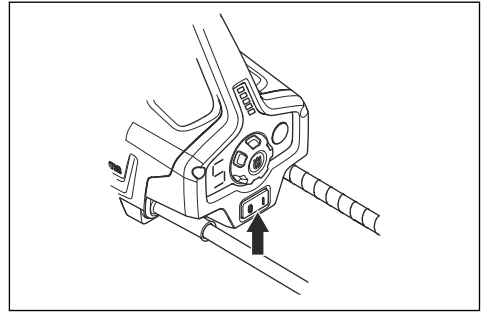
4. Turn the electronic gear selector to select an applicable speed for the operation. Refer to *Recommended drill bit diameters on page 14*.



5. Make sure that the water system is open.



6. Set the ON/OFF switch to "1".



To operate the product



WARNING: If the PRCD engages, remove the drill bit from the hole before you push "RESET".



WARNING: Dangerous accidents can occur if the concrete core stays in the drill bit when you remove the drill bit from the hole.



CAUTION: Make sure that no objects hit the drill bit.



CAUTION: Do not use more force than necessary. This only makes the operation slow and causes overload to the motor.

1. Start the motor. Refer to *To start the product on page 8*.
2. Let the motor speed increase to the maximum speed before the drill bit touches the surface.
3. Push the drill bit into the surface with the feed lever.
4. If you drill through iron reinforcements, use more initial pressure and a lower gear than if there were no iron reinforcements.
5. Use very small pressure initially to keep the drill bit in correct position.
6. During operation, make sure that the water removes all waste material from the drill hole. Adjust the water pressure if it is necessary.
7. Stop the motor. Refer to *To stop the product on page 10*.

Load indicator

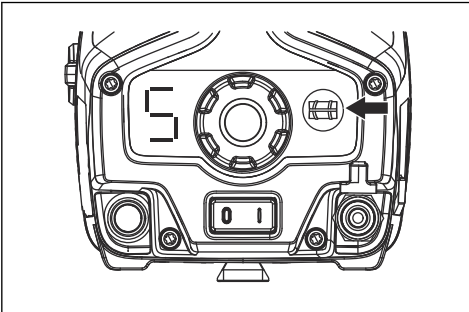


CAUTION: Do not cause overload to the product again and again as this damages the product. The load indicator shows the power output which does not

always mean the best recommendation for the operation.

LED indicators	Cause	Possible procedure
1 green LED.	The product is connected to the power pack and can be operated.	No procedure is necessary.
	Power output is less than 70% of available output during operation.	
2 green LEDs.	Power output is between 70% and 90% of available output during operation.	No procedure is necessary.
3 green LEDs.	Power output is more than 90% of available output.	No procedure is necessary.
3 green LEDs and 1 yellow LED.	Max. power output.	No procedure is necessary.
3 green LEDs, 1 yellow LED, 1 red LED.	There is a risk that the product becomes too hot.	Decrease the load or decrease the temperature of the motor and the power pack.
All LEDs are on or flashes.	The product is too hot and can suddenly stop. ¹ The max. available output is automatically decreased to prevent overheating and automatic stop of the product.	Decrease the load or decrease the temperature of the motor and the power pack.
		Increase the quantity of water or use colder water to decrease the temperature of the motor.
		To decrease the temperature of the power pack, replace the air filter or put the power pack in colder ambient temperature.

Iron button



The iron button function decreases the operation speed to make it easier to cut in hard materials, for example reinforcement bars.

The decreased speed can also be used to make it easier for the drill bit to go into the surface of other materials. For best performance, disengage the iron

button function when the drill bit is through the surface and drill the hole at regular speed.

When the indicator for the electronic gear flashes, the iron button function is engaged.

To stop the product

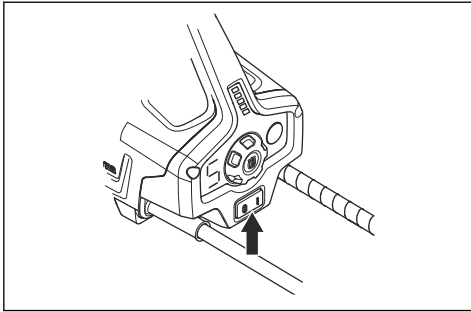


WARNING: The drill bit continues to rotate for some time after the motor stops. Do not stop the drill bit with your hands. Injuries can occur.

1. Let the product operate without work load for 2–3 minutes. The water system decreases the temperature in the motor.

¹ If the product stops because of overheating, the LEDs continue to flash until the product is cool and can be started again.

2. Set the ON/OFF switch to "0".



3. Wait until the drill bit has fully stopped.
4. Close the water supply.
5. Disconnect the product from the power supply.

To replace the drill bit



WARNING: Pull out the plug from the power outlet before you replace the drill bit.



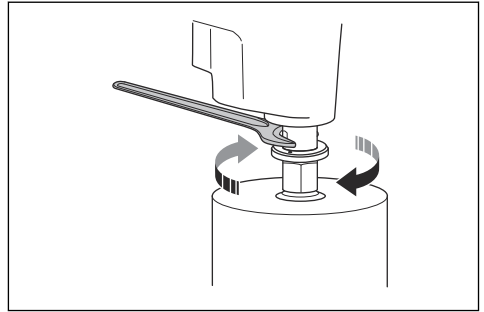
WARNING: Use protective gloves. Let the product become cool before you remove the drill bit. The drill bit and the adjacent area are very hot after operation.



WARNING: Only use diamond drill bits that are approved for your product. Speak to your Husqvarna dealer for more information.

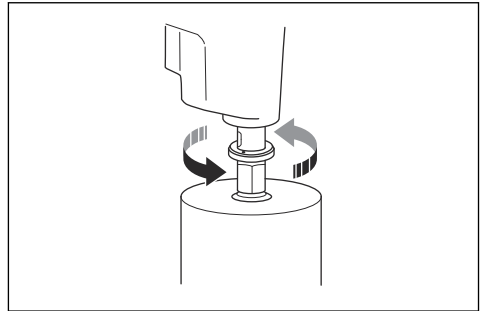
1. Make sure that you have got a new drill bit, the supplied wrench and water resistant grease.
2. Lock the spindle axle with the wrench.

3. Turn the drill bit clockwise to remove it.



CAUTION: Do not hit the product to remove the drill bit. There is a risk of damage to the gearbox and the drill stand.

4. Lubricate the spindle shaft thread with water resistant grease.
5. Turn the drill bit counterclockwise to install it. Tighten fully.



Maintenance

Introduction



WARNING: Read and understand the safety chapter before you do maintenance on the product.



WARNING: To prevent injury, disconnect the power cord before you do maintenance.

Maintenance schedule

* = General maintenance done by the operator. The instructions are not given in this operator's manual.

X = The instructions are given in this operator's manual.

Maintenance	Before each use	After each use	Each 300 h
Make sure that the nuts and screws are tight.	*		

Maintenance	Before each use	After each use	Each 300 h
Make sure that the ON/OFF switch operates correctly. Refer to <i>To do a check of the ON/OFF switch on page 7.</i>	X		
Clean the external surfaces of the product.	X	X	
Make sure that there is no grease or oil on the handle.	*	*	
Examine the power cord and the connection to the power supply for damage.	*	*	
Make sure that the moving parts operate correctly and can move freely.	*		
Make sure that the drill bit is sharp and clean.	X		
Replace the gearbox oil.			X
Examine the water connection for damage and water leakage.		X	

To clean the product



CAUTION: Make sure that no water goes into the motor or the gearbox.



CAUTION: Do not use running water to clean the product.

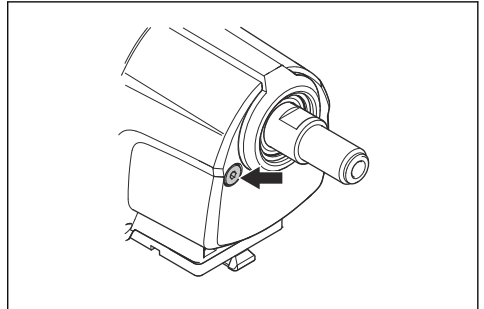
- Use a dry or moist cloth to clean the product.
- Remove blockage from all air openings. A blocked air intake decreases the performance of the product and can cause the motor to become too hot.
- Clean and lubricate the spindle shaft thread.

To do maintenance of the diamond drill bit

- Make sure that the diamond tools segments are sharp. Sharpen blunt diamond segments with a SiC grind stone.
- Make sure that there is no vibration in the drill bit. If there is vibration in the drill bit, the diamond segments can come loose.
- Make sure that the diamond segments are sufficiently larger than the inner and outer diameter of the drill bit tube.
- Lubricate the drill bit thread with water resistant grease. This makes it easy to loosen the tool.
- Make sure that the radial run out at the diamond segments of the drill bit is not more than 1 mm.

To replace the oil in the gearbox

1. Remove the oil drain plug.



2. Let the gearbox oil run out into a container.



CAUTION: Discard used oil at an applicable disposal location.

3. If it is necessary, let an approved Husqvarna service center clean the gearbox.
4. Fill with new gearbox oil. Refer to *Technical data on page 14* for correct quantity and oil type.
5. Clean the oil drain plug. The oil drain plug has a magnet that catches metal particles.
6. Install the oil drain plug.

To examine the water connection



CAUTION: If there is a leakage of water from the water connection ring, the shaft seals must be replaced immediately.

- Let an approved Husqvarna service center repair the water connection.

Transportation and storage

- Keep the product in a locked area to prevent access for children or persons that are not approved.
- Keep the product in a dry and frost free area.
- Remove the drill bit before transportation or storage of the product. This is to prevent damage to the product and the drill bits.
- Safety the product during transportation to prevent damage and accidents.

Technical data

Technical data

Motor	
Electrical motor	HF High Frequency
Max. spindle output, kW	6
Weight, kg/lb	13.6/29.9
Gearbox oil	
Type	Q8 T 65 SAE 75W-90
Capacity, l/qts	1.0/1.06
Drill bit	
Max. recommended diameter, mm/inch	600/24
Min. recommended diameter, mm/inch	100/4
Spindle thread	G 1 ¼"
Water cooling	
Min. and max. water pressure, bar/PSI	0.5–8/7.2–116
Min. recommended water flow at water temperature 15°C, l/min	0.5
Water coupling	G ¼"
Noise emission ²	
Sound power level, measured dB (A)	112
Sound power level, measured dB (A)	113
Sound pressure level at the operators ear, dB (A) ³	98
Vibration levels, a_{hv} ⁴	
Handle, m/s ²	1.0

Recommended drill bit diameters

Mechanical gear	Electronic gear	Speed, rpm	Drill bit diameter, mm/in.
1	1	125	600/24
1	2	139	500/20

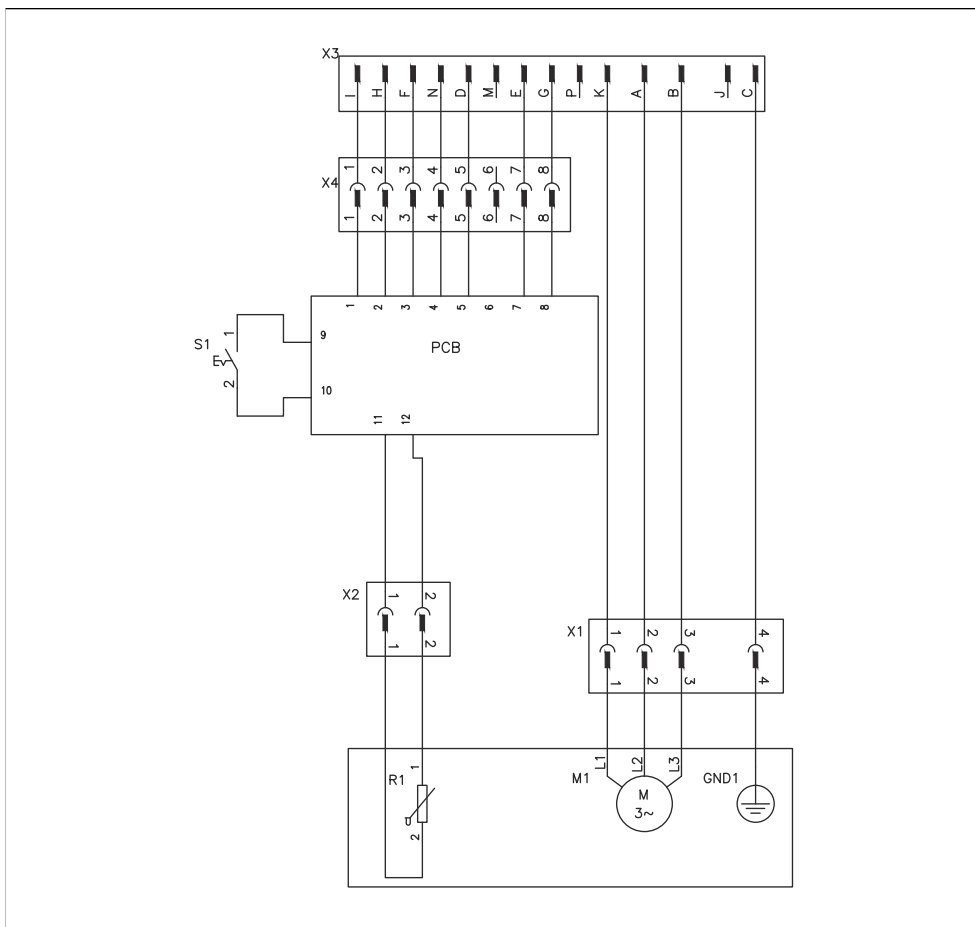
² Noise emissions in the environment measured as sound power (L_{WA}) conforming to EN 12348.

³ Noise pressure level according to EN 12348. Reported data for noise pressure level has a typical statistical dispersion (standard deviation) of 1.0 dB (A).

⁴ Vibration level according to EN 12348. Reported data for vibration level has a typical statistical dispersion (standard deviation) of 1 m/s².

Mechanical gear	Electronic gear	Speed, rpm	Drill bit diameter, mm/in.
1	3	156	450/18
1	4	175	400/16
1	5	196	350/14
1	6	220	300/12
1	7	247	250/10
1	8	278	225/9
1	9	310	200/8
2	1	270	250/10
2	2	299	225/9
2	3	336	200/8
2	4	377	176/7
2	5	423	150/6
2	6	475	125/5
2	7	534	100/4
2	8	599	90/3.5
2	9	675	80/3

Wiring diagram



Accessories

Applicable drill stands

The product is applicable with these Husqvarna drill stands:

- DS500, recommended for drill bit diameters of maximum 400 mm.
- DS900, recommended for drill bit diameters from 400 mm to 600 mm.

Service

Approved service center

To find your nearest Husqvarna Construction Products approved service center, go to the web site www.husqvarnacp.com.

Declaration of Conformity

EU Declaration of Conformity

We, **Husqvarna AB**, SE-561 82 Huskvarna, Sweden, tel: +46-36-146500, declare on our sole responsibility that the product:

Description	Transportable diamond core drill
Brand	Husqvarna
Type/Model	DM700
Identification	Serial numbers dating from 2022 and onwards

complies fully with the following EU directives and regulations:

Directive/Regulation	Description
2006/42/EC	"relating to machinery"

and that the following harmonized standards and/or technical specifications are applied;

EN ISO 12100:2010

EN 12348:2000+A1:2009

Partille, 2022-10-10



Edvard Gulis

R&D Director, Concrete Sawing & Drilling

Husqvarna AB, Construction Division

Responsible for technical documentation

UK Declaration of Conformity

We, **Husqvarna AB**, SE-561 82 Huskvarna, Sweden, tel:
+46-36-146500, declare on our sole responsibility that
the product:

Description	Transportable diamond core drill
Brand	Husqvarna
Type/Model	DM700
Identification	Serial numbers dating from 2022 and onwards

complies fully with the following UK regulations:

The Supply of Machinery (Safety) Regulations 2008
Electromagnetic Compatibility Regulations 2016
The Electrical Equipment (Safety) Regulations 2016
The Restriction of the Use of Certain Hazardous Substances in Electrical and Electronic Equipment Regulations 2012

and that the following standards and/or technical specifications are applied;

EN ISO 12100:2010

EN 12348:2000+A1:2009

Partille, 2022-10-10



Erik Silfverberg

R&D Director, Concrete Sawing & Drilling Equipment

Husqvarna AB, Construction Division

Responsible for technical documentation

**UK
CA**

UK Importer:

Husqvarna UK Ltd

Preston Road, Co. Durham

DL5 6UP

Inhalt

Einleitung.....	19	Transport und Lagerung.....	31
Sicherheit.....	20	Technische Daten.....	33
Montage.....	25	Zubehör.....	35
Betrieb.....	26	Service.....	35
Wartung.....	30	Konformitätserklärung.....	36

Einleitung

Gerätebeschreibung

Dieser Bohrmotor ist ein elektrischer Kernbohrer zur Benutzung mit einem zugelassenen Bohrständer. Als Stromquelle dient ein Antriebsaggregat.

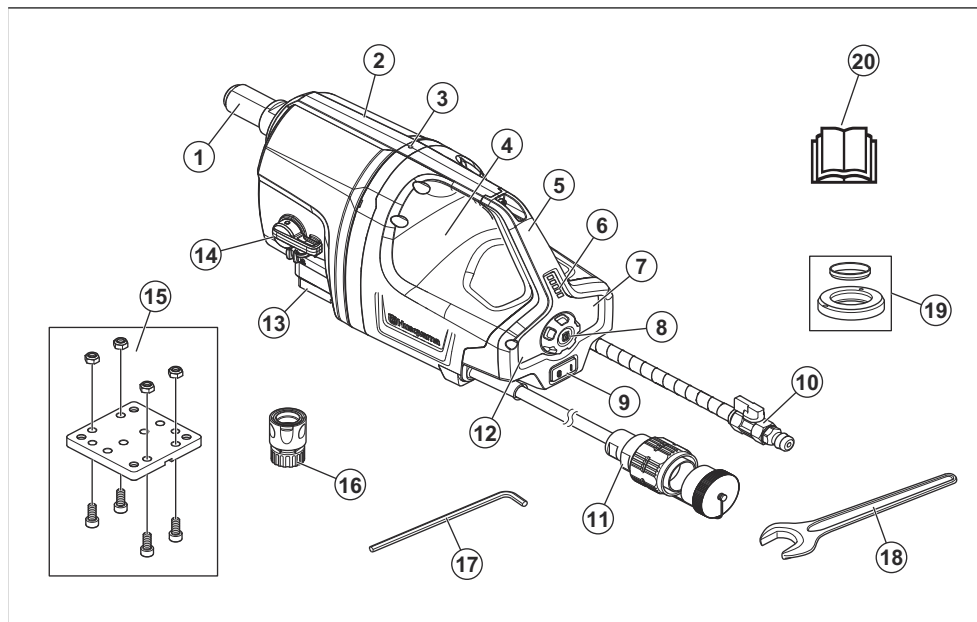
Das Diamantbohrbit ist ein Hohlbohrer mit Diamantsegmenten. Wasser fließt durch das Kugelventil, den Schlauch und das Diamantbohrbit. Das Wasser spült das Bohrklein aus dem Schlitz und senkt die Temperatur im Bohrbit.

Verwendungszweck

Das Gerät wird zum Bohren von hartem Mauerwerk, Stahl und anderen harten Materialien verwendet. Das Gerät wird in Verbindung mit der Installation auf einem zugelassenen Bohrständer verwendet. Jede andere Verwendung ist nicht korrekt.

Das Gerät wird von erfahrenen Bedienern im Industriebetrieb eingesetzt.

Geräteübersicht



- | | |
|-----------------------|---|
| 1. Bohrspindel | 7. Eisenbohrfunktionsknopf |
| 2. Getriebe | 8. Schaltung, elektronische Gänge |
| 3. Leckanzeige | 9. EIN/AUS-Schalter |
| 4. Gerätegehäuse | 10. GARDENA®-Einsteckaufsatz mit Wasserventil |
| 5. Griff | 11. Anschluss für Stromversorgung |
| 6. Arbeitslastanzeige | 12. Gewählter elektronischer Gang |

13. Schnellmontageplatte für Husqvarna-Bohrständer
14. Schaltung, mechanische Gänge
15. Installationsplatte für Husqvarna-Bohrständer
16. GARDENA®-Wasseranschluss
17. Inbusschlüssel, 8 mm
18. Zoll-Schraubenschlüssel
19. Reibungsring
20. Betriebsanleitung



Umweltkennzeichen Das Gerät und die Verpackung des Geräts dürfen nicht über den Hausmüll entsorgt werden. Recyceln Sie es an einer offiziellen Recyclingstation für elektrische und elektronische Geräte.

Hinweis: Andere Symbole/Aufkleber am Gerät beziehen sich auf spezielle Zertifizierungsanforderungen, die in bestimmten Ländern gelten.

Symbole auf dem Gerät



WARNUNG! Dieses Gerät kann gefährlich sein und schwere oder tödliche Verletzungen des Bedieners oder anderer Personen verursachen. Gehen Sie vorsichtig vor, und verwenden Sie das Gerät ordnungsgemäß.



Lesen Sie die Bedienungsanleitung, und machen Sie sich mit den Anweisungen vertraut, bevor Sie das Gerät verwenden.



Tragen Sie immer eine zugelassene persönliche Schutzausrüstung. Siehe *Persönliche Schutzausrüstung auf Seite 24*.



Dieses Gerät stimmt mit den geltenden CE-Richtlinien überein.

Produkthaftung

Im Sinne der Produkthaftungsgesetze übernehmen wir keine Haftung für Schäden, die unser Gerät verursacht, wenn...

- das Gerät nicht ordnungsgemäß repariert wird.
- das Gerät mit Teilen repariert wird, die nicht vom Hersteller stammen oder nicht vom Hersteller zugelassen sind.
- ein Zubehörteil mit dem Gerät verwendet wird, das nicht vom Hersteller stammt oder nicht vom Hersteller zugelassen ist.
- das Gerät nicht bei einem zugelassenen Service Center oder von einem zugelassenen Fachmann repariert wird.

Sicherheit

Sicherheitsdefinitionen

Warnungen, Vorsichtsmaßnahmen und Hinweise werden verwendet, um auf besonders wichtige Teile der Bedienungsanleitung hinzuweisen.



WARNUNG: Wird verwendet, wenn bei Nichtbeachtung der Anweisungen in diesem Handbuch die Gefahr von Verletzung oder Tod des Bedieners oder anderer Personen besteht.



ACHTUNG: Wird verwendet, wenn bei Nichtbeachtung der Anweisungen in diesem Handbuch die Gefahr von Schäden am Gerät, an anderen Materialien oder in der Umgebung besteht.

Hinweis: Für weitere Informationen, die in bestimmten Situationen nötig sind.

Allgemeine Sicherheitshinweise für elektrisch betriebene Werkzeuge



WARNUNG: Lesen Sie alle für dieses Elektrowerkzeug vorgesehenen Sicherheitshinweise, Anleitungen, Abbildungen und technischen Daten. Wenn Sie die unten stehenden Anweisungen nicht befolgen, kann dies zu elektrischen Schlägen, Brand und/oder schweren Verletzungen führen.

Hinweis: Bewahren Sie alle Warnhinweise und Anweisungen für spätere Referenzzwecke auf. Der Begriff „Elektrowerkzeug“ in den Warnhinweisen bezieht sich auf ein Elektrowerkzeug mit Netzbetrieb (über ein Kabel) oder mit Akkubetrieb (kabellos).

Sicherheit im Arbeitsbereich

- Sorgen Sie für einen sauberen und gut ausgeleuchteten Arbeitsbereich. Durch zugestellte

oder dunkle Arbeitsbereiche steigt die Unfallgefahr stark an.

- **Betreiben Sie Elektrowerkzeuge niemals an Orten, an denen Explosionsgefahr besteht, z. B. in der Nähe von leicht entzündlichen Flüssigkeiten, Gasen oder Staubansammlungen.** Bei der Arbeit mit Elektrowerkzeugen kann es zu Funkenbildung kommen, wodurch sich Staub oder Dämpfe entzünden können.
- **Sorgen Sie bei der Arbeit mit Elektrowerkzeugen dafür, dass sich keine Kinder oder unbefugte Personen in der Nähe befinden.** Durch Ablenkungen können Sie die Kontrolle über das Werkzeug verlieren.

Elektrische Sicherheit

- **Die Netzstecker von Elektrowerkzeugen müssen zur Steckdose passen. Der Netzstecker darf in keiner Weise verändert werden. Verwenden Sie bei Elektrowerkzeugen mit Schutzkontakt (geerdet) niemals Adapterstecker.** Nicht modifizierte Stecker und Steckdosen reduzieren das Risiko eines Elektroschocks.
- **Vermeiden Sie Körperkontakt mit geerdeten Gegenständen wie Rohrleitungen, Heizungen, Herden oder Kühlschränken.** Bei Körperkontakt mit geerdeten Gegenständen besteht ein erhöhtes Stromschlagrisiko.
- **Setzen Sie Elektrowerkzeuge niemals Regen oder sonstiger Feuchtigkeit aus.** Wenn Wasser in ein Elektrowerkzeug eindringt, erhöht sich das Stromschlagrisiko.
- **Verwenden Sie das Anschlusskabel nicht missbräuchlich. Verwenden Sie das Anschlusskabel niemals zum Tragen oder Heranziehen des Elektrowerkzeugs, und ziehen Sie den Stecker nicht am Anschlusskabel aus der Steckdose. Halten Sie das Kabel fern von Hitzequellen, Öl, scharfen Kanten und beweglichen Teilen.** Beschädigte oder verdrehte Anschlusskabel erhöhen das Stromschlagrisiko.
- **Wenn Sie ein Elektrowerkzeug im Freien benutzen, verwenden Sie ein für den Außeneinsatz geeignetes Verlängerungskabel.** Die Verwendung eines für den Außeneinsatz geeigneten Kabels verringert das Risiko eines Stromschlags.
- **Falls der Einsatz eines Elektrowerkzeugs in einer feuchten Umgebung nicht zu vermeiden ist, benutzen Sie eine Stromversorgung mit FI-Schutzschalter (RCD).** Die Verwendung einer Fehlerstrom-Schutzeinrichtung (RCD) verringert das Risiko eines elektrischen Schlags.

Persönliche Sicherheit

- **Blieben Sie aufmerksam, achten Sie auf das, was Sie tun, und setzen Sie gesunden Menschenverstand ein, wenn Sie mit Elektrowerkzeugen arbeiten. Benutzen Sie keine Elektrowerkzeuge, wenn Sie müde sind oder unter dem Einfluss von Drogen, Alkohol**

oder Medikamenten stehen. Bei der Arbeit mit Elektrowerkzeugen können bereits kurze Phasen der Unaufmerksamkeit zu schweren Verletzungen führen.

- **Tragen Sie eine persönliche Schutzausrüstung. Tragen Sie stets einen Augenschutz.** Schutzausrüstung wie Atemschutzmaske, rutschsichere Sicherheitsschuhe, Schutzhelm und Gehörschutz senkt bei angemessenem Einsatz das Verletzungsrisiko.
- **Vermeiden Sie ein versehentliches Starten. Achten Sie darauf, dass sich der Schalter in der AUS-Stellung befindet, bevor Sie das Elektrowerkzeug an die Stromversorgung und/oder den Akku anschließen oder es hochheben oder herumtragen.** Durch Herumtragen von Elektrowerkzeugen mit dem Finger am Schalter und das Einstecken des Steckers bei betätigtem Schalter steigt das Unfallrisiko stark an.
- **Entfernen Sie sämtliche Einstellschlüssel, bevor Sie das Elektrowerkzeug einschalten.** Ein an einem beweglichen Teil des Elektrowerkzeugs angebrachter Schlüssel kann zu Verletzungen führen.
- **Sorgen Sie für einen festen Stand. Achten Sie jederzeit darauf, sicher zu stehen und das Gleichgewicht zu bewahren.** Dadurch haben Sie das Elektrowerkzeug in unerwarteten Situationen besser im Griff.
- **Kleiden Sie sich richtig. Tragen Sie niemals lose sitzende Kleidung oder Schmuck. Halten Sie Haar und Kleidung von beweglichen Teilen fern.** Lose sitzende Kleidung, Schmuck oder langes Haar kann von beweglichen Teilen erfasst werden.
- **Wenn Anschlüsse für Staubabsaug- und Staubsammelvorrichtungen vorhanden sind, sorgen Sie dafür, dass diese richtig angeschlossen und eingesetzt werden.** Die Verwendung von Staubsammelvorrichtungen vermindert durch Staub verursachte Gefahren.
- **Auch wenn Sie durch häufige Verwendung bestens mit den Werkzeugen vertraut sind, dürfen Sie keinesfalls nachlässig werden und die Sicherheitsgrundsätze ignorieren.** Eine achtlose Handlung kann im Bruchteil einer Sekunde zu schweren Verletzungen führen.

Verwendung und Pflege von Elektrowerkzeugen

- **Überbeanspruchen Sie Elektrowerkzeuge nicht. Benutzen Sie das richtige Elektrowerkzeug für Ihren Einsatzzweck.** Das richtige Elektrowerkzeug erledigt seine Arbeit bei bestimmungsgemäßem Einsatz besser und sicherer.
- **Benutzen Sie das Elektrowerkzeug nicht, wenn es sich nicht am Schalter ein- und ausschalten lässt.** Jedes Elektrowerkzeug, das nicht mit dem Schalter betätigt werden kann, stellt eine Gefahr dar und muss repariert werden.

- **Trennen Sie das Elektrowerkzeug von der Stromversorgung, bzw. entfernen Sie den Akku, bevor Sie Einstellungen vornehmen, Zubehörteile austauschen oder das Elektrowerkzeug verstauen.** Solche präventiven Sicherheitsmaßnahmen verhindern den unbeabsichtigten Start des Elektrowerkzeugs.
- **Lagern Sie nicht benutzte Elektrowerkzeuge außerhalb der Reichweite von Kindern, und lassen Sie nicht zu, dass Personen das Elektrowerkzeug bedienen, die nicht mit dem Werkzeug selbst und/oder diesen Anweisungen vertraut sind.** Elektrowerkzeuge stellen in ungeschulten Händen eine Gefahr dar.
- **Warten Sie Elektrowerkzeuge und Zubehör. Prüfen Sie auf Fehlausrichtungen, sicheren Halt und Leichtgängigkeit beweglicher Teile, Beschädigungen von Teilen sowie auf jegliche andere Zustände, die sich auf den Betrieb des Elektrowerkzeugs auswirken können. Bei Beschädigungen lassen Sie das Elektrowerkzeug reparieren, bevor Sie es benutzen.** Viele Unfälle mit Elektrowerkzeugen sind auf schlechte Wartung zurückzuführen.
- **Halten Sie Schneidwerkzeuge scharf und sauber.** Ordnungsgemäß gewartete Schneidwerkzeuge mit scharfen Schneidkanten bleiben seltener hängen und sind einfacher zu bedienen.
- **Benutzen Sie Elektrowerkzeuge, Zubehör, Werkzeugeinsätze und Ähnliches in Übereinstimmung mit diesen Anweisungen und auf die für das jeweilige Elektrowerkzeug bestimmungsgemäße Weise, und beachten Sie dabei die jeweiligen Arbeitsbedingungen und die Art der auszuführenden Arbeiten.** Der Einsatz eines Elektrowerkzeugs für Zwecke, die von den hier angegebenen abweichen, kann zu Gefahrensituationen führen.
- **Halten Sie die Handgriffe und Griffflächen trocken, sauber und frei von Öl und Fett.** Wenn Handgriffe und Griffflächen rutschig sind, kann das Werkzeug in unerwarteten Situationen nicht sicher bedient und kontrolliert werden.
- **Halten Sie das Elektrowerkzeug nur an isolierten Griffflächen, wenn Sie Arbeiten durchführen, bei denen das Schneidmesser mit versteckten Netzkabeln oder dem eigenen Kabel in Berührung kommen kann.** Schneidmesser, die mit einem stromführenden Kabel in Kontakt kommen, können frei liegende Metallteile des Elektrowerkzeugs unter Strom setzen und dem Bediener einen Stromschlag versetzen.
- **Tragen Sie beim Bohren mit Diamantwerkzeugen Gehörschutz.** Lärm kann zu Hörverlust führen.
- **Wenn das Bit feststeckt, drücken Sie nicht mehr nach unten, und schalten Sie das Werkzeug aus.** Suchen Sie nach der Ursache für das Feststecken des Bits, und nehmen Sie entsprechende Maßnahmen vor, um es zu korrigieren.
- **Stellen Sie beim erneuten Anschalten eines Diamantbohrers im Werkstück vor dem Start sicher, dass sich das Bit frei dreht.** Wenn das Bit feststeckt, startet es möglicherweise nicht. Das kann das Werkzeug überlasten oder dazu führen, dass sich der Diamantbohrer aus dem Werkstück löst.
- **Wenn Sie den Bohrständler mit Verankerungen und Befestigungselementen am Werkstück befestigen, stellen Sie sicher, dass die verwendeten Verankerungen das Gerät halten und sichern können, während es läuft.** Ist das Werkstück schwach oder porös, kann die Verankerung sich herauslösen, wodurch sich der Bohrständler vom Werkstück löst.
- **Stellen Sie beim Bohren durch Wände oder Decken sicher, dass Personen und Arbeitsbereiche auf der anderen Seite geschützt sind.** Das Bit kann durch das Loch hinausragen, oder der Kern kann auf der anderen Seite herausfallen.
- **Verwenden Sie beim Überkopfbohren stets das in den Anweisungen genannte Flüssigkeitsauffängergerät. Lassen Sie kein Wasser in das Werkzeug eindringen.** Wenn Wasser in das Elektrowerkzeug eindringt, erhöht sich das Risiko von elektrischen Schlägen.

Allgemeine Sicherheitshinweise



WARNUNG: Lesen Sie die folgenden Warnhinweise, bevor Sie das Gerät verwenden.

- Dieses Gerät ist ein gefährliches Werkzeug, wenn Sie nicht aufpassen oder es unsachgemäß verwenden. Dieses Gerät kann schwere oder tödliche Verletzungen des Bedieners oder anderer Personen verursachen. Es ist sehr wichtig, dass Sie vor der Anwendung des Produkts den Inhalt dieser Bedienungsanleitung gelesen und verstanden haben.
- Bewahren Sie alle Warn- und Sicherheitshinweise auf.
- Halten Sie alle geltenden Gesetze und Vorschriften ein.

Service

- **Lassen Sie das Elektrowerkzeug von einem qualifizierten Fachmann reparieren, und bestehen Sie darauf, dass nur Originalersatzteile verwendet werden.** Auf diese Weise wird dafür gesorgt, dass die Sicherheit des Elektrowerkzeugs nicht beeinträchtigt wird.

Sicherheitshinweise für Diamantbohrer

- **Leiten Sie bei Bohrarbeiten, bei denen Wasser erforderlich ist, das Wasser vom Arbeitsbereich des Bedieners weg, oder verwenden Sie ein Gerät zum Auffangen von Flüssigkeiten.** Durch solche Vorsichtsmaßnahmen bleibt der Arbeitsbereich des Bedieners trocken und die Gefahr von elektrischen Schlägen wird verringert.

- Der Bediener und dessen Arbeitgeber müssen die mit dem Betrieb des Geräts verbundenen Gefahren kennen und vermeiden.
- Untersagen Sie allen Personen die Benutzung des Geräts, bis diese den Inhalt der Bedienungsanleitung gelesen und verstanden haben.
- Verwenden Sie das Gerät nicht, ohne vorher dafür geschult worden zu sein. Stellen Sie sicher, dass alle Bediener Schulungen erhalten.
- Lassen Sie nicht zu, dass Kinder das Gerät verwenden.
- Es dürfen nur zugelassene Personen mit dem Gerät arbeiten.
- Der Bediener ist für Unfälle verantwortlich, die anderen Personen zustoßen oder an deren Eigentum entstehen.
- Verwenden Sie das Gerät nicht, wenn Sie müde oder krank sind oder unter Einfluss von Alkohol, Drogen oder Medikamenten stehen.
- Lassen Sie immer Vorsicht walten, und arbeiten Sie mit gesundem Menschenverstand.
- Dieses Gerät erzeugt beim Betrieb ein elektromagnetisches Feld. Dieses Feld kann sich unter bestimmten Bedingungen auf die Funktionsweise aktiver oder passiver medizinischer Implantate auswirken. Um die Gefahr von Situationen, die zu schweren oder tödlichen Verletzungen führen können, zu verringern, sollten Personen mit einem medizinischen Implantat vor der Nutzung dieses Gerätes mit ihrem Arzt und dem Hersteller des Implantats sprechen.
- Halten Sie das Gerät sauber. Stellen Sie sicher, dass Symbole und Aufkleber deutlich lesbar sind.
- Verwenden Sie das Gerät nicht, wenn es beschädigt ist.
- Nehmen Sie keine Modifikationen am Gerät vor.
- Bedienen Sie das Gerät nicht, wenn die Möglichkeit besteht, dass andere Personen Modifikationen daran vorgenommen haben.

Arbeiten Sie stets mit gesundem Menschenverstand!



WARNUNG: An der Bauweise des Geräts dürfen ohne vorherige Genehmigung des Herstellers keine Veränderungen vorgenommen werden. Verwenden Sie stets Originalersatzteile. Unzulässige Änderungen und/oder Zubehör können zu schweren oder tödlichen Verletzungen des Benutzers oder anderer Personen führen.



WARNUNG: Die Verwendung von Fräsmaschinen, Schleifmaschinen und Bohrern, die Material abschleifen oder umformen, kann Staub und Ausdünstungen verursachen, die gefährliche Chemikalien

enthalten können. Überprüfen Sie die Beschaffenheit des Materials, das Sie bearbeiten wollen, und verwenden Sie einen geeigneten Atemschutz.

Es ist nicht möglich, hier alle denkbaren Situationen zu beschreiben, die beim Gebrauch eines Bohrgeräts auftreten können. Gehen Sie stets vorsichtig vor, und arbeiten Sie mit gesundem Menschenverstand. Vermeiden Sie Situationen, denen Sie sich nicht gewachsen fühlen. Wenn Sie sich nach dem Lesen dieser Anweisungen immer noch unsicher fühlen, wie Sie vorgehen sollen, bitten Sie einen Fachmann um Rat, bevor Sie fortfahren. Zögern Sie nicht, uns oder Ihren Händler anzusprechen, wenn Sie Fragen bezüglich des Gebrauchs des Bohrgeräts haben. Wir sind gerne für Sie da und helfen Ihnen beim optimalen und sicheren Einsatz Ihres Bohrgeräts.

Zögern Sie nicht, Ihren Händler anzusprechen, wenn Sie Fragen bezüglich des Gebrauchs des Geräts haben. Wir sind gerne für Sie da und helfen Ihnen beim optimalen und sicheren Einsatz Ihres Geräts.

Ihr Husqvarna-Händler sollte das Bohrgerät regelmäßig überprüfen und notwendige Einstellungen und Reparaturen vornehmen.

Husqvarna Construction Products arbeitet ständig an der Weiterentwicklung der Geräte. Husqvarna behält sich daher das Recht vor, ohne vorherige Ankündigung und ohne weitere Verpflichtungen Konstruktionsänderungen einzuführen.

Alle Informationen und Daten dieser Betriebsanleitung gelten zum Zeitpunkt der Drucklegung.

Sicherheitshinweise für den Betrieb



WARNUNG: Lesen Sie die folgenden Warnhinweise, bevor Sie das Gerät benutzen.

- Bedienen Sie das Gerät nur dann, wenn Sie bei einem Unfall Hilfe bekommen können.
- Verwenden Sie das Gerät nicht bei Nebel, Regen, starkem Wind, großer Kälte oder sonstigen Schlechtwetterbedingungen. Bei schlechtem Wetter könnten sich gefährliche Bedingungen (z. B. rutschige Bodenflächen) einstellen.
- Achten Sie auf Personen, Gegenstände und Situationen, die einen sicheren Betrieb des Geräts verhindern könnten.
- Wenn der Bohrer nach oben zeigt, während er läuft, verwenden Sie immer einen passenden Behälter, um das Wasser aufzufangen.
- Bringen Sie das Gerät vor dem Betrieb immer an einem passenden Bohrständler an. Siehe *So befestigen Sie das Gerät an einem Bohrständler auf Seite 25*.
- Stellen Sie sicher, dass Sie den Motor in einem Notfall immer schnell stoppen können.

- Stellen Sie außerdem sicher, dass sich keine Rohre oder Elektrokabel im Bohrbereich befinden.
- Wenn das Gerät nicht ordnungsgemäß funktioniert, stoppen Sie den Motor.
- Stellen Sie sicher, dass Sie während der Arbeit eine sichere und stabile Position einnehmen.
- Halten Sie stets Abstand zum Bohrbit, wenn der Motor läuft.
- Entfernen Sie sich nicht vom Gerät, wenn der Motor eingeschaltet ist.
- Trennen Sie stets das Stromkabel, bevor Sie sich vom Gerät entfernen.
- Halten Sie alle Teile in einwandfreiem Zustand, und stellen Sie sicher, dass alle Befestigungsteile korrekt festgezogen sind.
- Wenn Vibrationen im Gerät auftreten oder es ungewöhnlich laut ist, stoppen Sie es umgehend. Untersuchen Sie das Gerät auf beschädigte Teile. Reparieren Sie Schäden, oder lassen Sie eine zugelassene Servicewerkstatt die Reparatur durchführen.
- Verwenden Sie immer zugelassenes Zubehör. Ihr Händler steht Ihnen gern für weitere Informationen zur Verfügung.

Verlängerungskabel

- Verwenden Sie nur zugelassene Verlängerungskabel mit ausreichender Länge.
- Der Nennwert auf dem Verlängerungskabel muss dem auf dem Typenschild des Geräts angegebenen Wert entsprechen oder höher sein.
- Verwenden Sie Schuko-Verlängerungskabel.
- Wenn Sie das Gerät im Freien benutzen, verwenden Sie ein für den Außeneinsatz geeignetes Verlängerungskabel. Dadurch wird das Risiko von Stromschlägen verringert.
- Achten Sie darauf, dass die Verbindung mit dem Verlängerungskabel trocken ist und keinen Bodenkontakt hat.
- Halten Sie das Verlängerungskabel fern von Hitzequellen, Öl, scharfen Kanten und beweglichen Teilen. Ein beschädigtes Kabel erhöht das Risiko eines Stromschlags.
- Stellen Sie sicher, dass sich das Verlängerungskabel in einem guten Zustand befindet und unbeschädigt ist.
- Verwenden Sie das Verlängerungskabel nicht im aufgewickelten Zustand. Dies kann dazu führen, dass das Verlängerungskabel zu heiß wird.
- Vergewissern Sie sich, dass sich das Verlängerungskabel hinter Ihnen und dem Gerät befindet, wenn Sie mit dem Gerät arbeiten. Dadurch wird eine Beschädigung des Verlängerungskabels vermieden.

Persönliche Schutzausrüstung



WARNUNG: Lesen Sie die folgenden Warnhinweise, bevor Sie das Gerät verwenden.

- Verwenden Sie stets die vorgeschriebene persönliche Schutzausrüstung bei der Bedienung des Geräts. Die persönliche Schutzausrüstung kann Verletzungen nicht vollständig vermeiden, vermindert aber den Umfang der Verletzungen und Schäden bei einem Unfall. Lassen Sie sich bei der Auswahl der korrekten persönlichen Schutzausrüstung von Ihrem Händler beraten.
- Überprüfen Sie regelmäßig den Zustand der persönlichen Schutzausrüstung.
- Verwenden Sie einen zugelassenen Schutzhelm.
- Tragen Sie einen zugelassenen Gehörschutz.
- Tragen Sie einen zugelassenen Atemschutz.
- Tragen Sie einen zugelassenen Augenschutz mit seitlicher Abschirmung.
- Tragen Sie stets Schutzhandschuhe.
- Tragen Sie Stiefel mit Stahlkappe und rutschfester Sohle.
- Tragen Sie zugelassene Arbeitskleidung oder gleichwertige, eng anliegende Kleidung mit langen Ärmeln und langen Hosenbeinen.

Feuerlöscher

- Halten Sie in der Nähe des Arbeitsbereichs einen Feuerlöscher griffbereit.
- Verwenden Sie einen Pulver-Feuerlöscher der Klasse „ABE“ oder einen Kohlendioxid-Feuerlöscher des Typs „BE“.

Sicherheitsvorrichtungen am Gerät

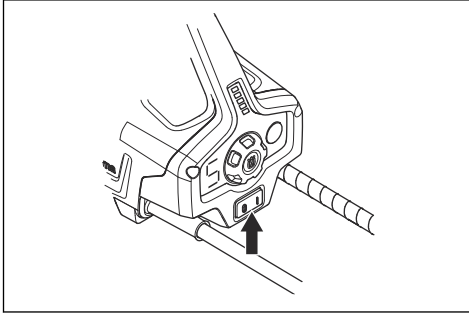


WARNUNG: Lesen Sie die folgenden Warnhinweise, bevor Sie das Gerät verwenden.

- Benutzen Sie kein Gerät mit defekten Sicherheitsvorrichtungen.
- Führen Sie regelmäßig eine Überprüfung der Sicherheitsvorrichtungen durch. Wenn die Sicherheitsvorrichtungen defekt sind, wenden Sie sich an Ihre Husqvarna-Servicewerkstatt.
- Führen Sie keine Änderungen an den Sicherheitsvorrichtungen durch.

EIN/AUS-Schalter

Der EIN-/AUS-Schalter wird zum Ein- und Ausschalten des Geräts verwendet.



So prüfen Sie den EIN-/AUS-Schalter

1. Schließen Sie das Gerät an die Stromversorgung an.
2. Stellen Sie den EIN-/AUS-Schalter auf „1“, um das Gerät zu starten.
3. Stellen Sie den EIN-/AUS-Schalter auf „0“, und vergewissern Sie sich, dass das Gerät stoppt.

Reibungskupplung

Die Reibungskupplung ist im Getriebe des Geräts integriert. Sie verhindert Schäden am Gerät, wenn das Bohrbit während des Betriebs anhält. Bei Überlastung wird die Reibungskupplung entkuppelt, wodurch die Bohrspindel angehalten wird, der Motor aber einige Sekunden weiterläuft. Die Reibungskupplung kuppelt wieder ein, wenn die Last verringert wird. Dann kann der Betrieb fortgesetzt werden. Wenn sich das Bohrbit im

Material verhakt und ganz zum Stillstand kommt, stoppt die Reibungskupplung den Motor sofort.



ACHTUNG: Stellen Sie sicher, dass die Entkuppelungszeit nicht mehr als 3 bis 4 Sekunden beträgt. Andernfalls kommt es schnell zu Verschleiß und Erhitzung.

Sicherheitshinweise für die Wartung



WARNUNG: Lesen Sie die folgenden Warnhinweise, bevor Sie das Gerät benutzen.

- Stoppen Sie das Gerät, und trennen Sie es von der Stromversorgung, bevor Sie Wartungsarbeiten durchführen.
- Tragen Sie eine persönliche Schutzausrüstung.
- Halten Sie alle Teile in einwandfreiem Zustand, und stellen Sie sicher, dass alle Befestigungen korrekt festgezogen sind.
- Führen Sie alle Sicherheitskontrollen, Wartungen und Servicemaßnahmen durch, die in dieser Bedienungsanleitung angegeben sind. Alle anderen Wartungsarbeiten müssen von einem autorisierten Servicehändler durchgeführt werden.
- Wenn das Netzkabel oder der elektrische Anschluss ausgetauscht werden muss, muss dies von einem autorisierten Servicehändler durchgeführt werden.
- Warten Sie das Gerät, um sicherzustellen, dass es ordnungsgemäß funktioniert. Siehe *Wartungsplan auf Seite 30*.
- Verwenden Sie das Gerät nicht, wenn es defekt ist.

Montage

Einleitung



WARNUNG: Lesen Sie vor der Montage des Geräts das Kapitel über Sicherheit, und machen Sie sich damit vertraut.



WARNUNG: Trennen Sie das Netzkabel, und entfernen Sie das Bohrbit vor der Montage, um Verletzungen zu vermeiden.

- Um das Gerät an einen Bohrstand anzubauen, schlagen Sie in der Betriebsanleitung für den Bohrstand nach.
- Nutzen Sie es nur mit zugelassenen Husqvarna Bohrständen. Siehe *Geeignete Bohrstände auf Seite 35*.

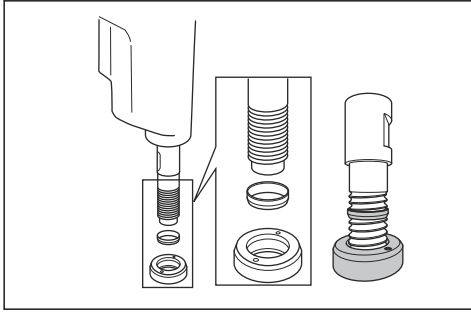
So befestigen Sie das Gerät an einem Bohrstand



ACHTUNG: Lesen Sie die Bedienungsanleitung für den Bohrstand sorgfältig durch.

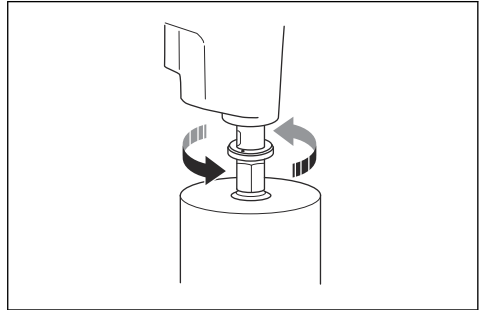
So installieren Sie ein Bohrbit

1. Installieren Sie den Reibungsring an der Spindelwelle.



Hinweis: Der Reibungsring verhindert beim Entfernen des Bohrbits eine Beschädigung der Spindelwelle und des Getriebes.

2. Drehen Sie das Bohrbit zum Installieren gegen den Uhrzeigersinn. Ziehen Sie es vollständig an.



Betrieb

Wichtige Schritte, bevor Sie mit dem Gerät arbeiten

1. Lesen Sie die Bedienungsanleitung sorgfältig durch, und vergewissern Sie sich, dass Sie die Anweisungen verstehen.
2. Lesen Sie die Bedienungsanleitung für den Bohrständer sorgfältig durch, und vergewissern Sie sich, dass Sie die Anweisungen verstanden haben.
3. Tragen Sie eine persönliche Schutzausrüstung. Siehe *Persönliche Schutzausrüstung auf Seite 24*.
4. Führen Sie die tägliche Wartung durch. Siehe *Wartungsplan auf Seite 30*.
5. Stellen Sie sicher, dass sich nur befugte Personen im Arbeitsbereich befinden.
6. Stellen Sie sicher, dass das Gerät korrekt zusammengebaut und unbeschädigt ist. Das Bohrbit und der Bohrständer müssen korrekt befestigt sein.
7. Stellen Sie sicher, dass das Wassersystem nicht beschädigt ist und dass es an das Gerät angeschlossen ist.

So schließen Sie die Wasserversorgung an und schalten sie ein



ACHTUNG: Stellen Sie sicher, dass der maximale Wasserdruck nicht zu hoch ist, siehe *Technische Daten auf Seite 33*.

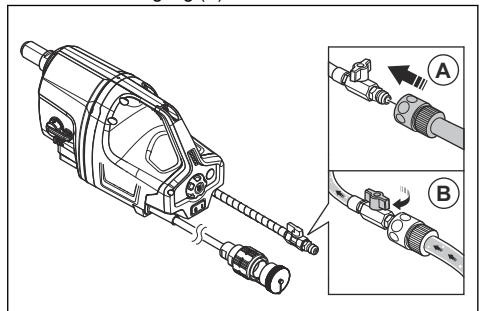


ACHTUNG: Verwenden Sie nur sauberes Wasser, damit kein Schmutz das Wassersystem verstopft.



ACHTUNG: Verwenden Sie nur zugelassene Wasserversorgungsanschlüsse. Ihr Händler steht Ihnen gern für weitere Informationen zur Verfügung.

1. Verbinden Sie das Kugelventil mit der Wasserversorgung (A).



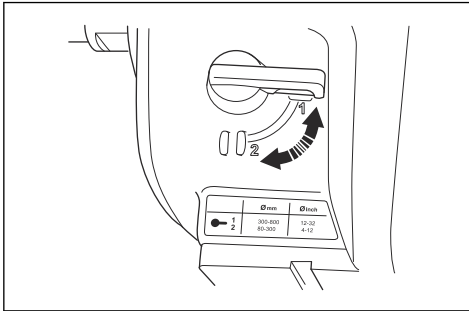
2. Geben Sie den Wasserfluss durch das Wassersystem (B) frei. Stellen Sie den Wasserdruck so ein, dass das gesamte Bohrklein aus dem Bohrloch entfernt wird.

So starten Sie das Gerät



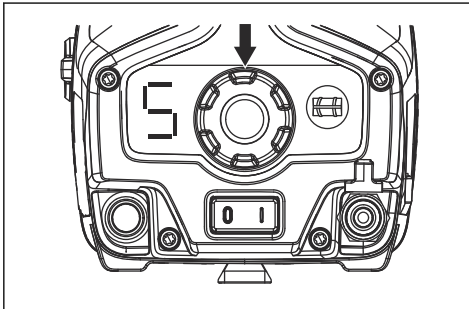
WARNUNG: Stellen Sie sicher, dass das Bohrbit sich frei drehen kann. Es dreht sich, wenn der Motor anspringt.

1. Schließen sie das Gerät an ein geeignetes Antriebsaggregat an.
2. Verbinden Sie das Antriebsaggregat mit einer Netzsteckdose.
3. Um die Betriebsdrehzahl einzustellen, drehen Sie die Bohrspindel und bewegen gleichzeitig den Gangschalter. Stellen Sie den Gangschalter in die richtige Position für den Betrieb.

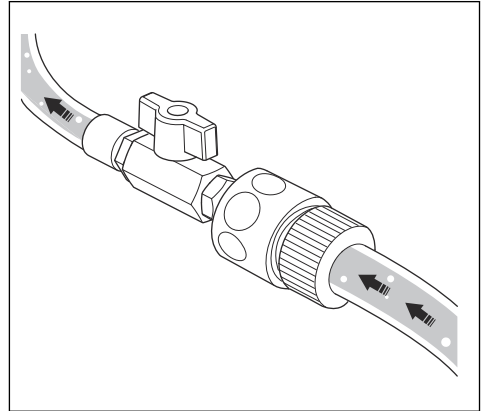


ACHTUNG: Bewegen Sie den mechanischen Gangschalter nicht, wenn das Gerät eingeschaltet ist. Andernfalls besteht die Gefahr, dass das Getriebe beschädigt wird.

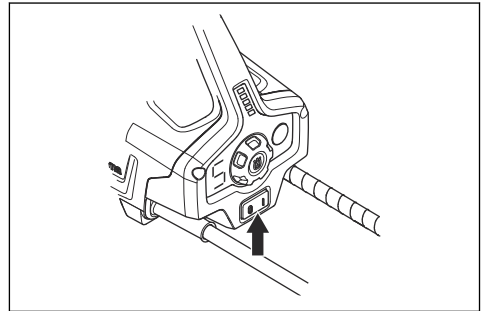
4. Drehen Sie den elektronischen Gangwähler, um eine geeignete Betriebsdrehzahl auszuwählen. Siehe *Empfohlene Bohrbitdurchmesser auf Seite 33.*



5. Stellen Sie sicher, dass das Wassersystem geöffnet ist.



6. Stellen Sie den EIN-/AUS-Schalter auf „1“.



So bedienen Sie das Gerät



WARNUNG: Wenn der PRCD-Schalter ausgelöst wird, entfernen Sie das Bohrbit aus der Bohrung, bevor Sie „RESET“ drücken.



WARNUNG: Gefährliche Unfälle können passieren, wenn der Betonbohrkern im Bohrbit bleibt, während Sie das Bohrbit aus der Bohrung entfernen.



ACHTUNG: Stellen Sie sicher, dass keine Gegenstände das Bohrbit treffen.



ACHTUNG: Wenden Sie nicht mehr Druck als notwendig an. Dadurch wird der Betrieb nur langsamer, und der Motor wird überlastet.

1. Starten Sie den Motor. Siehe *So starten Sie das Gerät auf Seite 27*.
2. Warten Sie, bis die maximale Motordrehzahl erreicht ist, bevor Sie das Bohrbit in die Oberfläche berühren lassen.
3. Drücken Sie das Bohrbit mit dem Zuführungshebel in die Oberfläche.
4. Wenn Sie durch Eisenarmierungen bohren, drücken Sie am Anfang fester auf und benutzen Sie einen niedrigeren Gang als bei Beton ohne Eisenarmierungen.
5. Drücken Sie zunächst sehr schwach. Dadurch bleibt das Bohrbit in der richtigen Stellung.
6. Stellen Sie während des Betriebs sicher, dass das Wasser das gesamte Bohrklein aus dem Bohrloch spült. Stellen Sie den Wasserdruck nach, falls dies erforderlich ist.

7. Halten Sie den Motor an. Siehe *So stoppen Sie das Gerät auf Seite 29*.

Lastanzeige

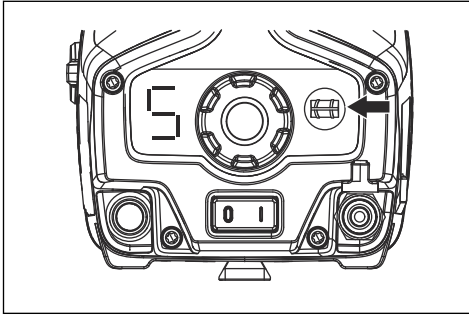


ACHTUNG: Vermeiden Sie eine dauerhafte Überlastung des Geräts, da es dadurch beschädigt wird. Die Lastanzeige zeigt die Ausgangsleistung an, was nicht immer die beste Empfehlung für den Betrieb bedeutet.

LED-Anzeigen	Ursache	Mögliches Verfahren
1 grüne LED.	Das Gerät ist an das Antriebsaggregat angeschlossen und betriebsbereit.	Kein Verfahren erforderlich.
	Die Ausgangsleistung beträgt weniger als 70 % der bei Betrieb verfügbaren Leistung.	
2 grüne LEDs.	Die Ausgangsleistung beträgt zwischen 70 % und 90 % der bei Betrieb verfügbaren Leistung.	Kein Verfahren erforderlich.
3 grüne LEDs.	Die Leistung beträgt mehr als 90 % der bei Betrieb verfügbaren Leistung.	Kein Verfahren erforderlich.
3 grüne LEDs und 1 gelbe LED.	Maximale Ausgangsleistung.	Kein Verfahren erforderlich.
3 grüne LEDs, 1 gelbe und 1 rote LED.	Es besteht die Gefahr, dass das Gerät zu heiß wird.	Die Last oder die Temperatur des Motors und des Antriebsaggregats verringern.
Alle LEDs leuchten oder blinken.	Das Gerät ist zu heiß und kann plötzlich stoppen. ⁵ Die maximal verfügbare Leistung wird automatisch verringert, um Überhitzung und einen automatischen Stopp des Geräts zu verhindern.	Die Last oder die Temperatur des Motors und des Antriebsaggregats verringern.
		Die Wassermenge erhöhen oder kälteres Wasser verwenden, um die Temperatur des Motors zu senken.
		Um die Temperatur des Antriebsaggregats zu senken, den Luftfilter ersetzen oder das Antriebsaggregat einer niedrigeren Umgebungstemperatur aussetzen.

⁵ Wenn das Gerät aufgrund einer Überhitzung stoppt, blinken die LEDs so lange, bis das Gerät abgekühlt ist und wieder gestartet werden kann.

Eisenbohrfunktionsknopf



Die Eisenbohrfunktion verringert die Betriebsdrehzahl, um das Eindringen des Bohrbits in harten Materialien, wie z. B. Bewehrungsstäben, zu erleichtern.

Die reduzierte Drehzahl kann auch verwendet werden, um das Eindringen des Bohrbits in die Oberfläche anderer Materialien zu erleichtern. Um eine optimale Leistung zu erzielen, deaktivieren Sie die Eisenbohrfunktion, wenn das Bohrbit die Oberfläche durchdrungen hat, und bohren das Loch dann mit normaler Drehzahl.

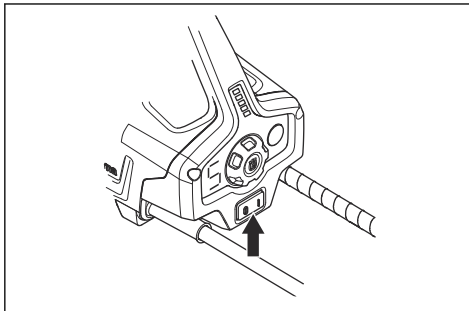
Wenn die Anzeige für den elektronischen Gang blinkt, ist die Eisenbohrfunktion aktiviert.

So stoppen Sie das Gerät



WARNUNG: Nach Ausschalten des Motors dreht sich das Bohrbit noch eine Zeit lang weiter. Stoppen Sie das Bohrbit nicht mit den Händen. Dies könnte zu Verletzungen führen.

1. Lassen Sie das Gerät 2 bis 3 Minuten im Leerlauf laufen. Das Wassersystem senkt die Temperatur im Motor.
2. Stellen Sie den EIN-/AUS-Schalter auf „0“.



3. Warten Sie, bis das Bohrbit vollständig zum Stillstand gekommen ist.
4. Schließen Sie die Wasserversorgung.
5. Trennen Sie das Gerät von der Stromversorgung.

So ersetzen Sie das Bohrbit



WARNUNG: Ziehen Sie den Stecker aus der Steckdose, bevor Sie das Bohrbit ersetzen.

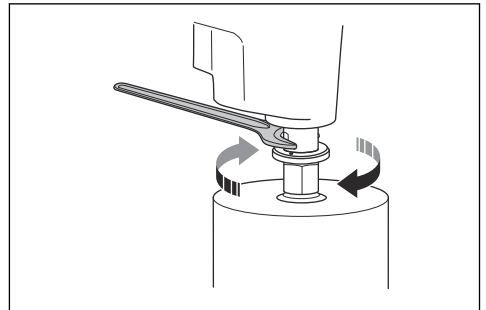


WARNUNG: Tragen Sie stets Schutzhandschuhe. Lassen Sie das Gerät abkühlen, bevor Sie das Bohrbit entfernen. Das Bohrbit und seine Umgebung sind nach dem Betrieb sehr heiß.



WARNUNG: Verwenden Sie nur für Ihr Gerät genehmigte Diamantbohrbits. Ihr Husqvarna-Händler steht Ihnen gern für weitere Informationen zur Verfügung.

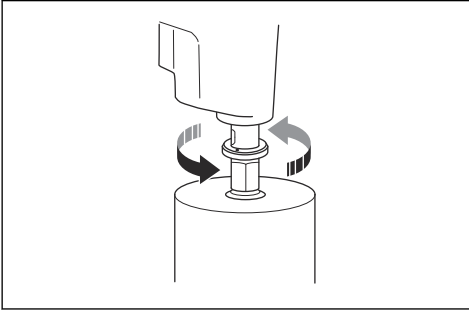
1. Stellen Sie sicher, dass Sie ein neues Bohrbit, den mitgelieferten Schraubenschlüssel und wasserfestes Schmierfett zur Hand haben.
2. Verriegeln Sie die Spindelachse mit dem Schraubenschlüssel.
3. Drehen Sie das Bohrbit zum Entfernen im Uhrzeigersinn.



ACHTUNG: Schlagen Sie nicht gegen das Gerät, um das Bohrbit zu entfernen. Es besteht die Gefahr, dass Getriebe und Bohrstände beschädigt werden.

4. Schmieren Sie das Gewinde der Spindelwelle mit wasserfestem Schmierfett.

5. Drehen Sie das Bohrbit zum Installieren gegen den Uhrzeigersinn. Ziehen Sie es vollständig an.



Wartung

Einleitung



WARNUNG: Lesen Sie vor dem Warten des Geräts das Kapitel über Sicherheit, und machen Sie sich damit vertraut.



WARNUNG: Um Verletzungen zu vermeiden, trennen Sie das Netzkabel ab, bevor Sie Wartungsarbeiten durchführen.

Wartungsplan

* = Allgemeine Wartung durch den Bediener. Die Anweisungen sind nicht in dieser Bedienungsanleitung enthalten.

X = Diese Anweisungen sind in dieser Bedienungsanleitung enthalten.

Wartung	Vor jedem Gebrauch	Nach jedem Gebrauch	Alle 300 Betriebsstunden
Vergewissern Sie sich, dass alle Muttern und Schrauben fest angezogen sind.	*		
Stellen Sie sicher, dass der EIN-/AUS-Schalter ordnungsgemäß funktioniert. Siehe <i>So prüfen Sie den EIN-/AUS-Schalter auf Seite 25</i> .	X		
Die Außenflächen des Geräts reinigen.	X	X	
Darauf achten, dass sich kein Schmierfett oder Öl auf dem Griff befindet.	*	*	
Das Netzkabel und den Anschluss zur Stromversorgung auf Schäden prüfen.	*	*	
Sicherstellen, dass die beweglichen Teile ordnungsgemäß funktionieren und sich frei bewegen können.	*		
Sicherstellen, dass das Bohrbit scharf und sauber ist.	X		
Das Getriebeöl wechseln.			X
Den Wasseranschluss auf Schäden und Wasserleckagen prüfen.		X	

So reinigen Sie das Gerät



ACHTUNG: Stellen Sie sicher, dass kein Wasser in den Motor oder das Getriebe eindringt.



ACHTUNG: Verwenden Sie zur Reinigung des Geräts kein laufendes Wasser.

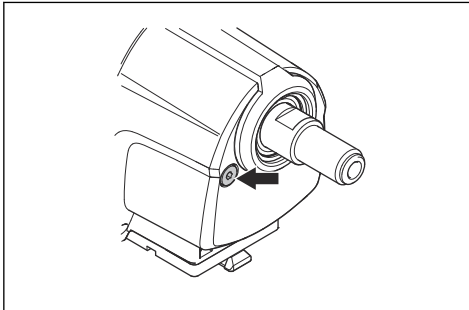
- Reinigen Sie das Gerät mit einem trockenen oder feuchten Tuch.
- Entfernen Sie Verstopfungen aus den Luftöffnungen. Ein verstopfter Lufteinlass reduziert die Leistung des Geräts und kann dazu führen, dass der Motor zu heiß wird.
- Reinigen und schmieren Sie das Gewinde der Spindelwelle.

So warten Sie das Diamantbohrbit

- Stellen Sie sicher, dass die Diamantsegmente des Werkzeugs scharf sind. Schärfen Sie stumpfe Diamantsegmente mit einem SiC-Schleifstein.
- Achten Sie darauf, dass es im Bohrbit nicht zu Vibrationen kommt. Wenn das Bohrbit vibriert, können sich die Diamantsegmente lösen.
- Stellen Sie sicher, dass die Diamantsegmente ausreichend größer als der Innen- und Außendurchmesser der Bohrbitröhre sind.
- Schmieren Sie das Gewinde des Bohrbits mit wasserabweisendem Schmierfett. Dadurch können Sie das Werkzeug einfacher lösen.
- Stellen Sie sicher, dass der Rundlauf bei den Diamantsegmenten des Bohrbits nicht mehr als 1 mm beträgt.

So wechseln Sie das Öl im Getriebe

1. Entfernen Sie den Ölablasshahn.



2. Lassen Sie das Getriebeöl in einen Behälter laufen.



ACHTUNG: Entsorgen Sie Altöl in einer geeigneten Abfallentsorgungsstelle.

3. Lassen Sie das Getriebe ggf. von einem autorisierten Husqvarna-Service Center reinigen.
4. Füllen Sie neues Getriebeöl ein. Weitere Informationen zur richtigen Ölmenge und zum richtigen Öltyp finden Sie unter *Technische Daten auf Seite 33*.
5. Reinigen Sie den Ölablasshahn. Der Ölablasshahn hat einen Magneten, der Metallpartikel auffängt.
6. Installieren Sie den Ölablasshahn.

So überprüfen Sie den Wasseranschluss



ACHTUNG: Wenn der Verbindungsring undicht ist und Wasser ausläuft, müssen die Wellendichtungen umgehend ersetzt werden.

- Lassen Sie die Reparatur des Wasseranschlusses von einem autorisierten Husqvarna-Service Center durchführen.

Transport und Lagerung

- Bewahren Sie das Gerät in einem verschlossenen Bereich auf, um einen unerlaubten Zugriff durch

Kinder oder andere nicht befugte Personen zu verhindern.

- Bewahren Sie das Gerät in einem trockenen und frostfreien Bereich auf.
- Entfernen Sie das Bohrbit vor dem Transportieren oder Einlagern des Geräts. Dadurch können Schäden am Gerät und an den Bohrbits vermieden werden.
- Sichern Sie das Gerät während des Transports, um Schäden und Unfälle zu vermeiden.

Technische Daten

Technische Daten

Motor	
Elektromotor	HF Hochfrequenz
Max. Spindelleistung, kW	6
Gewicht, kg	13,6/29,9
Getriebeöl	
Typ	Q8 T 65 SAE 75W-90
Kapazität, l/qts	1,0/1,06
Bohrbit	
Empfohlener max. Durchmesser, mm/Zoll	600/24
Empfohlener min. Durchmesser, mm/Zoll	100/4
Spindelgewinde	G 1 ¼"
Wasserkühlung	
Min. und max. Wasserdruck, bar/PSI	0,5-8/7,2-116
Empfohlener min. Wasserdurchfluss bei einer Wassertemperatur von 15 °C, l/min	0,5
Wasserkupplung	G ¼"
Geräuschemissionen ⁶	
Gemessener Schalleistungspegel dB (A)	112
Gemessener Schalleistungspegel dB (A)	113
Schalldruckpegel am Ohr des Bedieners, dB (A) ⁷	98
Vibrationspegel, a_{hw} ⁸	
Griff, m/s ²	1,0

Empfohlene Bohrbitdurchmesser

Mechanischer Gang	Elektronischer Gang	Drehzahl, U/min	Bohrbitdurchmesser, mm/ Zoll
1	1	125	600/24

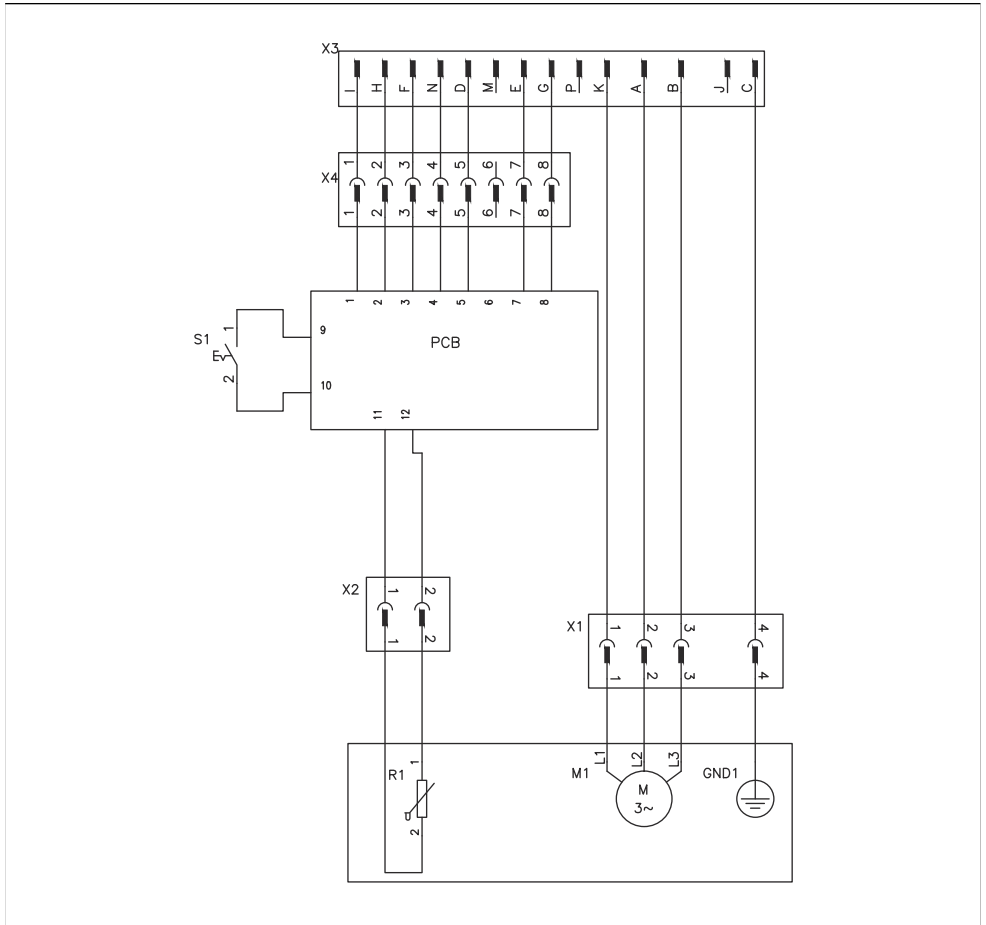
⁶ Umweltbelastende Geräuschemissionen gemessen als Schalleistung (L_{WA}) gemäß EN 12348.

⁷ Schalldruckpegel gemäß EN 12348. Berichten zufolge liegt der Schalldruckpegel normalerweise bei einer Ausbreitungsklasse (Standardabweichung) von 1,0 dB (A).

⁸ Vibrationspegel gemäß EN 12348. Berichten zufolge liegt der Vibrationspegel normalerweise bei einer Ausbreitungsklasse (Standardabweichung) von 1 m/s².

Mechanischer Gang	Elektronischer Gang	Drehzahl, U/min	Bohrbittdurchmesser, mm/ Zoll
1	2	139	500/20
1	3	156	450/18
1	4	175	400/16
1	5	196	350/14
1	6	220	300/12
1	7	247	250/10
1	8	278	225/9
1	9	310	200/8
2	1	270	250/10
2	2	299	225/9
2	3	336	200/8
2	4	377	176/7
2	5	423	150/6
2	6	475	125/5
2	7	534	100/4
2	8	599	90/3,5
2	9	675	80/3

Schaltplan



Zubehör

Geeignete Bohrstände

Das Gerät kann mit folgenden Husqvarna-Bohrständen eingesetzt werden:

- DS500, empfohlen für Bohrbits mit einem Durchmesser von max. 400 mm.
- DS900, empfohlen für Bohrbits mit einem Durchmesser von 400 bis 600 mm.

Service

Anerkanntes Service-Zentrum

Um ein anerkanntes Husqvarna Construction Products-Service-Zentrum in Ihrer Nähe zu finden, besuchen Sie die Website www.husqvarnacp.com.

Konformitätserklärung

EU-Konformitätserklärung

Die **Husqvarna AB**, SE-561 82 Huskvarna, Schweden,
Tel.: +46-36-146500, erklärt in alleiniger Verantwortung,
dass das Gerät:

Beschreibung	Transportabler Diamantkernbohrer
Marke	Husqvarna
Typ/Modell	DM700
Identifizierung	Seriennummern ab 2022

die folgenden EU-Richtlinien und -Vorschriften erfüllt:

Richtlinie/Vorschrift	Beschreibung
2006/42/EC	„Maschinenrichtlinie“

und dass die folgenden harmonisierten Normen und/
oder technischen Daten angewendet werden;

EN ISO 12100:2010

EN 12348:2000+A1:2009

Partille, 2022-10-10



Edvard Gulis

Leiter F&E-Abteilung, Sägen und Bohren von Beton

Husqvarna AB, Construction Division

Verantwortlich für die technische Dokumentation

Sommaire

Introduction.....	37	Transport et stockage.....	48
Sécurité.....	38	Caractéristiques techniques.....	50
Montage.....	43	Accessoires.....	52
Utilisation.....	43	Entretien.....	52
Entretien.....	47	Déclaration de conformité.....	53

Introduction

Description du produit

Ce moteur de forage est une foreuse électrique utilisée avec un support de forage homologué. La source d'alimentation est un bloc d'alimentation.

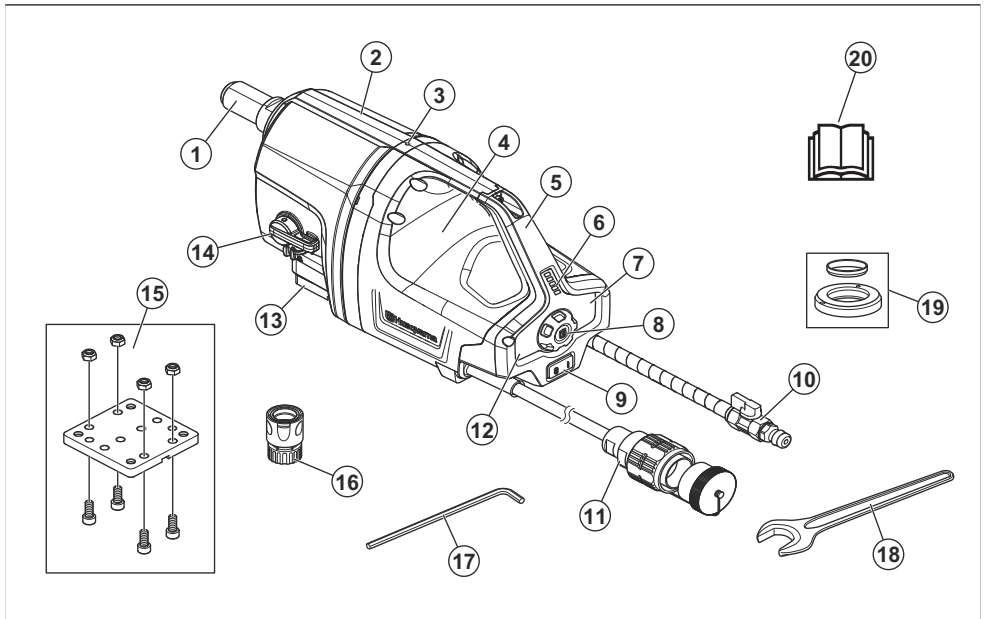
Le foret diamanté est un foret creux pourvu de segments en diamant. L'eau traverse la soupape à bille, le tuyau et le foret diamanté. L'eau chasse les débris des fentes et fait baisser la température à l'intérieur du foret.

Utilisation prévue

Le produit est utilisé pour percer la maçonnerie dure, l'acier et d'autres matériaux durs. Le produit est installé sur un support de forage homologué. Il n'est destiné à aucune autre utilisation.

Le produit est utilisé dans des applications industrielles par des opérateurs expérimentés.

Aperçu du produit



- | | |
|------------------------------------|---|
| 1. Broche de forage | 7. Bouton en fer |
| 2. Boîte de vitesses | 8. Sélecteur de vitesse, vitesses électroniques |
| 3. Indicateur de fuite | 9. Interrupteur de marche/arrêt |
| 4. Corps du produit | 10. Raccord mâle GARDENA® avec valve d'eau |
| 5. Poignée | 11. Connexion de l'alimentation électrique |
| 6. Indicateur de charge de travail | 12. Vitesse électronique sélectionnée |

13. Plaque de fixation rapide pour support de forage Husqvarna
14. Sélecteur de vitesse, vitesses mécaniques
15. Plaque d'installation pour support de forage Husqvarna
16. Raccord d'eau GARDENA®
17. Clé hexagonale, 8 mm
18. Clé
19. Anneau de friction
20. Manuel de l'opérateur



Ce produit est conforme aux directives CE en vigueur.



Marquage environnemental. Le produit ou son emballage ne font pas partie des ordures ménagères. Déposez-le dans une déchetterie agréée pour équipements électriques et électroniques.

Symboles concernant le produit



AVERTISSEMENT ! ce produit peut être dangereux et causer des blessures graves, voire mortelles, à l'opérateur ou à d'autres personnes. Soyez prudent et utilisez le produit correctement.



Lisez le manuel d'utilisation et assurez-vous de bien comprendre les instructions avant d'utiliser ce produit.



Portez toujours un équipement de protection individuel homologué. Reportez-vous à la section *Équipement de protection individuel* à la page 42.

Remarque: les autres symboles/autocollants présents sur le produit concernent des exigences de certification spécifiques à certains marchés.

Responsabilité

Conformément à la loi sur la responsabilité du fait des produits, nous déclinons toute responsabilité pour tout dommage causé par notre produit si :

- le produit n'est pas correctement réparé ;
- le produit est réparé avec des pièces qui ne proviennent pas du fabricant ou qui ne sont pas homologuées par le fabricant ;
- le produit est équipé d'un accessoire qui ne provient pas du fabricant ou qui n'est pas homologué par le fabricant ;
- le produit n'est pas réparé par un centre d'entretien agréé ou par une autorité homologuée.

Sécurité

Définitions de sécurité

Des avertissements, des recommandations et des remarques sont utilisés pour souligner des parties spécialement importantes du manuel.



AVERTISSEMENT: Symbole utilisé en cas de risque de blessures ou de mort pour l'opérateur ou les personnes à proximité si les instructions du manuel ne sont pas respectées.



REMARQUE: Symbole utilisé en cas de risque de dommages pour le produit, d'autres matériaux ou les environs si les instructions du manuel ne sont pas respectées.

Consignes générales de sécurité relatives à l'outil à moteur



AVERTISSEMENT: Lisez l'ensemble des avertissements de sécurité, des consignes, des illustrations et des spécifications fournies avec cet outil électrique. Le non-respect des consignes énumérées ci-dessous peut être à l'origine d'un choc électrique, d'un incendie et/ou de blessures graves.

Remarque: Conservez toutes ces consignes et instructions pour toute consultation ultérieure. Le terme « outil électrique » utilisé dans les avertissements fait référence à l'outil branché sur secteur (fil) ou à l'outil alimenté par batterie (sans fil).

Remarque: Symbole utilisé pour donner des informations supplémentaires pour une situation donnée.

Sécurité dans l'espace de travail

- **Maintenez un espace de travail propre et bien éclairé.** Les espaces encombrés ou sombres exposent à des accidents.
- **N'utilisez pas de machines à usiner dans des atmosphères explosives, en présence de liquides, de gaz ou de poussières inflammables par exemple.**

Les machines à usiner provoquent des étincelles qui peuvent enflammer la poussière ou les vapeurs.

- **Tenez les enfants et les spectateurs à distance lorsque la machine à usiner est en marche.** Un moment d'inattention peut vous faire perdre le contrôle.

Sécurité électrique

- **Les fiches des machines à usiner doivent être adaptées à la prise. N'apportez jamais de modifications à la fiche. Ne pas utiliser de fiches d'adaptation avec des machines mises à la terre.** Des fiches non modifiées et des prises compatibles réduisent le risque de choc électrique.
- **Évitez tout contact physique avec les surfaces mises à la terre telles que les tuyaux, les radiateurs, les cuisinières et les réfrigérateurs.** Le risque d'électrocution est plus important si le corps est relié à la terre.
- **Ne pas exposer les outils électriques à la pluie ou à l'humidité.** L'infiltration d'eau dans une machine à usiner augmente le risque d'électrocution.
- **Ne malmenez pas le cordon. N'utilisez jamais le cordon pour porter, tirer ou débrancher la machine. Maintenez le cordon d'alimentation à l'écart de la chaleur, de bords tranchants ou de pièces en mouvement.** Les fils endommagés ou emmêlés augmentent le risque de choc électrique.
- **Lorsque vous utilisez un outil électrique à l'extérieur, utilisez une rallonge électrique adaptée à l'usage extérieur.** L'utilisation d'un cordon d'alimentation pour usage extérieur réduit le risque d'électrocution.
- **Si vous n'avez d'autre choix que d'utiliser un outil électrique dans un endroit humide, utilisez une alimentation protégée par un dispositif de courant résiduel (RCD).** L'utilisation d'un RCD réduit le risque de choc électrique.

Sécurité du personnel

- **Restez attentif, regardez ce que vous faites et ayez recours à votre bon sens lorsque vous utilisez un outil électrique. N'utilisez pas d'outil électrique si vous êtes fatigué ou si vous êtes sous l'emprise de drogues, d'alcool ou de médicaments.** Un moment d'inattention pendant l'utilisation des machines à usiner peut entraîner des blessures corporelles graves.
- **Utilisez un équipement de protection personnelle. Travaillez toujours avec des lunettes de protection.** Les équipements de protection tels que le masque anti-poussière, les chaussures de sécurité antidérapantes, le casque ou le protège-oreilles utilisés dans des conditions appropriées réduisent les blessures corporelles.
- **Évitez tout démarrage intempestif. Vérifiez que l'interrupteur est en position d'arrêt avant de brancher l'outil sur l'alimentation et/ou la batterie, de le ramasser ou de le transporter.** Le fait de garder le doigt sur l'interrupteur pendant le transport des

outils ou le branchement des machines alors que l'interrupteur est en position ON expose à des accidents.

- **Retirez toute clé ou clavette de calage avant de mettre la machine à usiner sous tension.** Une clé ou une clavette reliée à une pièce mobile de la machine à usiner peut entraîner des blessures corporelles.
- **Ne vous éloignez pas trop. Restez toujours en équilibre et sur vos appuis.** Cela favorise le contrôle de la machine à usiner dans les situations inattendues.
- **Habilitez-vous correctement. Ne portez jamais de vêtements amples ou de bijoux. Éloignez vos cheveux et vos vêtements des pièces mobiles.** Les vêtements amples, les bijoux et les cheveux longs peuvent rester coincés dans les pièces mobiles.
- **Si des dispositifs sont fournis pour raccorder des systèmes de collecte et d'extraction de la poussière, vérifiez qu'ils sont correctement branchés et utilisés.** L'utilisation de systèmes de collecte de poussière peut réduire les risques associés à la poussière.
- **La connaissance des outils, acquise par l'usage fréquent de ces derniers, ne doit pas vous dispenser d'être prudent et d'appliquer les principes de sécurité.** Une action inconsidérée peut provoquer de graves blessures en une fraction de seconde.

Utilisation et entretien de la machine à usiner

- **Ne forcez pas sur la machine à usiner. Utilisez la machine à usiner qui convient à l'application.** La machine qui convient réalisera mieux son travail et de façon plus sûre, à la vitesse pour laquelle elle a été conçue.
- **N'utilisez pas la machine à usiner si l'interrupteur ne permet pas la mise sous tension ou l'arrêt.** Toute machine à usiner impossible à commander avec l'interrupteur est dangereuse et doit être réparée.
- **Débranchez la fiche de l'alimentation et/ou retirez la batterie, si celle-ci est amovible, avant de procéder aux réglages, de changer les accessoires ou de stocker un outil électrique.** Ces mesures de sécurité préventive réduisent le risque de mise sous tension accidentelle de la machine à usiner.
- **Rangez les machines à usiner hors de la portée des enfants et ne pas laisser des personnes qui ne connaissent pas la machine ou ces consignes utiliser l'appareil.** Les machines à usiner sont dangereuses si elles sont entre les mains d'utilisateurs non formés.
- **Entretenez les accessoires et outils électriques. Vérifier le mauvais alignement ou la fixation des pièces mobiles, l'éventuelle rupture des pièces ou toute autre condition susceptible d'altérer le fonctionnement de la machine. Si elle est endommagée, la machine à usiner doit être réparée avant toute réutilisation.** De nombreux accidents sont dus à des machines mal entretenues.

- **Maintenez les outils tranchants aiguisés et propres.** Des outils tranchants correctement entretenus avec des bords aiguisés sont moins susceptibles de se coincer et sont plus faciles à contrôler.
- **Utiliser la machine à usiner, les accessoires, les grains, etc. en suivant ces consignes et en tenant compte des conditions de travail et de la tâche à réaliser.** Il est dangereux d'utiliser l'outil électrique pour tout autre usage que celui prévu.
- **Les poignées et les surfaces de maintien doivent toujours être propres, sèches et sans traces d'huile ni de graisse.** Les poignées et les surfaces de maintien glissantes ne permettent pas une manipulation et un contrôle sûrs de l'outil dans des situations inattendues.

Entretien

- **Confiez l'entretien de votre outil électrique à un mécanicien qualifié qui utilisera uniquement des pièces de rechange identiques.** Cela permet de garantir la sécurité de la machine.

Consignes de sécurité relatives au foret diamanté

- **Si vous effectuez un forage qui nécessite l'utilisation d'eau, évacuez l'eau de la zone de travail de l'opérateur ou utilisez un dispositif collecteur de liquide.** Ces mesures de précaution permettent de garder la zone de travail de l'opérateur sèche et de réduire le risque d'électrocution.
- **Saisissez l'outil électrique par les surfaces de maintien isolées lors d'une opération où l'accessoire de coupe risque de rentrer en contact avec du câblage dissimulé ou son propre cordon.** Si l'accessoire de coupe entre en contact avec un câble sous tension, il risque de mettre sous tension les parties métalliques exposées de l'outil électrique, ce qui pourrait envoyer un choc électrique à l'utilisateur.
- **Portez des protège-oreilles lorsque vous effectuez un forage au diamant.** L'exposition au bruit peut engendrer une perte auditive.
- **Lorsque le foret est coincé, cessez d'exercer une pression vers le bas et arrêtez l'outil.** Identifiez et corrigez la cause du coincement du foret.
- **Lorsque vous redémarrez un foret diamanté dans la pièce, vérifiez que le foret tourne librement avant de commencer.** Un foret coincé peut ne pas démarrer, peut surcharger l'outil ou provoquer le détachement du foret diamanté de la pièce.
- **Lorsque vous fixez le support de forage à la pièce avec des ancrages et attachez, assurez-vous que l'ancrage utilisé est capable de maintenir et de retenir la machine pendant son utilisation.** Si la pièce est peu solide ou poreuse, l'ancrage peut sortir de la pièce, provoquant ainsi le détachement du support de forage.
- **Dans le cas d'un forage dans les murs et plafonds, assurez-vous de protéger le personnel et la zone de**

travail de l'autre côté. Le foret peut dépasser du trou ou la carotte peut tomber de l'autre côté.

- **Lorsque vous effectuez un forage au plafond, utilisez toujours le dispositif collecteur de liquide spécifié dans les instructions. Ne laissez pas l'eau s'écouler dans l'outil.** L'infiltration d'eau dans l'outil électrique augmente le risque d'électrocution.

Instructions générales de sécurité



AVERTISSEMENT: Lisez les instructions qui suivent avant d'utiliser le produit.

- Ce produit est un outil dangereux si vous ne faites pas attention ou si vous l'utilisez de manière incorrecte. Ce produit peut causer des blessures graves, voire mortelles, à l'opérateur ou à d'autres personnes. Avant d'utiliser le produit, il convient de lire attentivement et de bien comprendre les instructions contenues dans ce manuel de l'opérateur.
- Conservez tous les avertissements de sécurité et toutes les instructions.
- Respectez l'ensemble des lois et réglementations applicables.
- L'opérateur et son employeur doivent connaître et éviter tout risque au cours de l'utilisation du produit.
- Ne laissez personne utiliser le produit avant d'avoir lu et compris le contenu du manuel de l'opérateur.
- N'utilisez pas le produit sauf si vous bénéficiez d'une formation préalable. Assurez-vous que tous les opérateurs suivent une formation.
- Ne laissez pas un enfant utiliser le produit.
- Seules les personnes autorisées peuvent utiliser le produit.
- L'utilisateur est tenu responsable des accidents auxquels il expose autrui ou ses biens.
- N'utilisez jamais l'appareil si vous êtes fatigué ou malade, ou si vous êtes sous l'emprise d'alcool, de drogues ou de médicaments.
- Soyez toujours prudent et utilisez votre bon sens.
- Ce produit génère un champ électromagnétique durant son fonctionnement. Ce champ peut dans certaines circonstances perturber le fonctionnement d'implants médicaux actifs ou passifs. Pour réduire le risque de blessures graves ou mortelles, nous recommandons aux personnes portant des implants médicaux de consulter leur médecin et le fabricant de leur implant avant d'utiliser cet appareil.
- Maintenez le produit propre. Assurez-vous que vous pouvez lire clairement les avertissements et les autocollants.
- N'utilisez pas le produit si celui-ci est endommagé.
- Ne modifiez pas ce produit.
- N'utilisez pas le produit s'il est susceptible d'avoir été modifié par d'autres personnes.

Utilisez toujours votre bon sens



AVERTISSEMENT: Vous ne devez en aucun cas modifier la conception d'origine de la machine sans l'approbation du fabricant. Utilisez toujours les pièces de rechange d'origine. Les modifications et accessoires non autorisés peuvent entraîner des blessures graves, voire mortelles à l'utilisateur ou aux autres personnes présentes.



AVERTISSEMENT: L'utilisation de produits tels que les fraises, les meuleuses ou les foreuses pour poncer ou découper un matériau peut produire de la poussière et des vapeurs susceptibles de contenir des substances chimiques dangereuses. Vérifiez la nature du matériau que vous souhaitez travailler et utilisez un masque respiratoire approprié.

Il est impossible de prévoir toutes les situations que vous pouvez rencontrer lorsque vous utilisez une foreuse. Soyez toujours prudent et utilisez votre bon sens. Évitez les situations que vous n'êtes pas sûr de maîtriser. Si, après avoir lu ces instructions, vous n'êtes toujours pas sûr de la procédure à suivre, demandez conseil à un expert avant de poursuivre. N'hésitez pas à prendre contact avec votre revendeur ou avec nous si vous avez des questions sur l'utilisation de la foreuse. Nous sommes à votre disposition et vous conseillerons avec plaisir pour vous aider à utiliser votre foreuse en toute sécurité et de façon efficace.

N'hésitez pas à prendre contact avec votre revendeur si vous avez des questions sur l'utilisation de la machine. Nous sommes à votre disposition et vous conseillerons avec plaisir pour vous aider à utiliser votre machine en toute sécurité et de façon efficace.

Laissez à votre revendeur Husqvarna le soin de contrôler régulièrement la foreuse et d'effectuer les réglages et les réparations nécessaires.

Husqvarna Construction Products travaille continuellement au développement de ses produits. Husqvarna se réserve le droit d'en modifier la conception et l'aspect sans préavis et sans autres engagements.

Toutes les informations et toutes les données indiquées dans ce manuel d'utilisation étaient valables à la date à laquelle ce manuel a été porté à l'impression.

Instructions de sécurité pour le fonctionnement



AVERTISSEMENT: Lisez les instructions qui suivent avant d'utiliser le produit.

- N'utilisez pas le produit si vous ne pouvez pas être secouru en cas d'accident.
- N'utilisez pas le produit par mauvais temps, par exemple en cas de brouillard, pluie, vents violents, froid intense ou autres conditions climatiques équivalentes. Le mauvais temps peut créer des conditions de travail dangereuses, telles que des surfaces glissantes.
- Identifiez les éventuels personnes, objets et situations susceptibles de nuire à la sécurité du fonctionnement du produit.
- Lorsque le foret pointe vers le haut pendant le fonctionnement, utilisez toujours un récipient adapté pour recueillir l'eau.
- Fixez toujours le produit sur un support de forage adapté avant toute utilisation. Reportez-vous à la section *Pour fixer le produit à un support de forage à la page 43*.
- Assurez-vous de toujours pouvoir couper le moteur rapidement en cas d'urgence.
- Assurez-vous qu'aucun tuyau ou câble électrique ne se trouve dans la zone dans laquelle le trou doit être percé.
- Si la machine ne fonctionne pas correctement, arrêtez le moteur.
- Veillez à vous tenir dans une position stable et sûre pendant l'utilisation du produit.
- Tenez-vous à distance du foret lorsque le moteur est allumé.
- Ne vous éloignez pas du produit lorsque le moteur est allumé.
- Débranchez toujours le cordon d'alimentation avant de vous éloigner du produit.
- Assurez-vous que toutes les pièces sont en bon état et que toutes les fixations sont correctement serrées.
- Si des vibrations se produisent dans le produit ou si le niveau sonore du produit est anormalement élevé, arrêtez immédiatement le produit. Vérifiez que le produit n'est pas endommagé. Réparez les éventuels dommages ou demandez à un atelier spécialisé agréé de procéder aux réparations.
- Utilisez uniquement des accessoires homologués. Pour davantage d'informations, contactez votre revendeur.

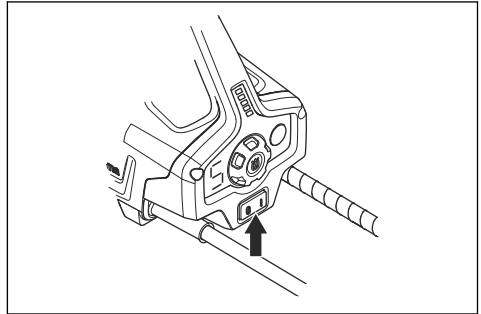
Rallonges

- Utilisez uniquement des rallonges homologuées d'une longueur suffisante.
- La valeur nominale sur la rallonge doit être identique ou supérieure à celle indiquée sur la plaque signalétique du produit.
- Utilisez des câbles de rallonge mis à la terre.
- Lorsque vous utilisez l'outil à l'extérieur, utilisez une rallonge adaptée à un usage extérieur. Cela réduit le risque de choc électrique.
- Maintenez la connexion de la rallonge au sec et au-dessus du sol.

- Maintenez la rallonge à l'écart de la chaleur, d'huile, de bords tranchants ou de pièces en mouvement. Un câble endommagé augmente le risque de choc électrique.
- Assurez-vous que la rallonge est en bon état et non endommagée.
- N'utilisez pas la rallonge lorsqu'elle est enroulée. Cela peut entraîner une surchauffe de la rallonge.
- Assurez-vous que la rallonge est derrière vous et derrière le produit lorsque vous utilisez le produit. Cela empêche toute dégradation de la rallonge.

Interrupteur de marche/arrêt

L'interrupteur marche/arrêt permet de faire démarrer et d'arrêter le produit.



Équipement de protection individuel



AVERTISSEMENT: Lisez les instructions qui suivent avant d'utiliser le produit.

- Portez toujours un équipement de protection individuel homologué lorsque vous utilisez le produit. L'équipement de protection individuel ne protège pas complètement des blessures, mais il diminue la gravité des blessures en cas d'accident. Faites appel à votre revendeur pour vous aider à sélectionner l'équipement de protection individuel adéquat.
- Vérifiez régulièrement l'état de votre équipement de protection individuel.
- Utilisez un casque de protection homologué.
- Utilisez des protège-oreilles agréés.
- Portez une protection respiratoire homologuée.
- Utilisez des protections pour les yeux homologuées avec protections latérales.
- Utilisez des gants de protection.
- Utilisez des bottes avec embouts en acier et semelle antidérapante.
- Utilisez des vêtements de travail homologués ou des vêtements près du corps équivalents dotés de manches longues et d'un pantalon.

Pour contrôler l'interrupteur marche/arrêt

1. Branchez le produit à l'alimentation électrique.
2. Placez l'interrupteur de marche/arrêt sur « 1 » pour faire démarrer le produit.
3. Placez l'interrupteur marche/arrêt sur « 0 » et assurez-vous que le produit s'arrête.

Embrayage à friction

L'embrayage à friction est intégré à la boîte de vitesses du produit. Il évite d'endommager le produit si le foret s'arrête pendant l'opération. Si la charge est trop élevée, l'embrayage à friction est relâché et immobilise la tige de forage mais maintient le moteur en marche pendant quelques secondes. L'embrayage à friction s'engage à nouveau si la charge diminue et que l'opération peut se poursuivre. Si le foret est coincé dans le matériau et s'arrête complètement, l'embrayage à friction arrête immédiatement le moteur.



REMARQUE: Assurez-vous que le temps de relâchement de l'embrayage ne dépasse pas 3-4 secondes, pour éviter que la chaleur n'augmente trop rapidement.

Extincteur

- Gardez un extincteur à proximité lors de l'utilisation du produit.
- Utilisez un extincteur à poudre de classe « ABE » ou un extincteur à gaz carbonique de type « BE ».

Dispositifs de sécurité sur le produit



AVERTISSEMENT: Lisez les instructions qui suivent avant d'utiliser le produit.

- N'utilisez pas un produit avec des dispositifs de sécurité défectueux.
- Contrôlez les dispositifs de sécurité régulièrement. Si les dispositifs de sécurité sont défectueux, parlez-en à votre agent d'entretien Husqvarna.
- N'apportez pas de modifications aux dispositifs de sécurité.

Consignes de sécurité pour l'entretien



AVERTISSEMENT: Lisez les instructions qui suivent avant d'utiliser le produit.

- Avant tout travail d'entretien, arrêtez le produit et débranchez l'alimentation électrique.
- Utilisez un équipement de protection personnelle.
- Assurez-vous que toutes les pièces sont en bon état et que toutes les fixations sont correctement serrées.
- Effectuez les contrôles de sécurité, de maintenance et d'entretien indiqués dans ce manuel. Toutes les autres tâches d'entretien doivent être effectuées par un atelier d'entretien agréé.

- S'il est nécessaire de remplacer le cordon d'alimentation ou la connexion électrique, cette opération doit être effectuée par un atelier d'entretien agréé.
- Effectuez l'entretien pour vous assurer que le produit fonctionne correctement. Reportez-vous à la section *Schéma d'entretien à la page 47*.
- N'utilisez pas un produit défectueux.

Montage

Introduction



AVERTISSEMENT: Assurez-vous de lire et de comprendre le chapitre dédié à la sécurité avant de monter l'appareil.



AVERTISSEMENT: Pour éviter toute blessure, débranchez le cordon d'alimentation et retirez le foret avant le montage.

Pour fixer le produit à un support de forage

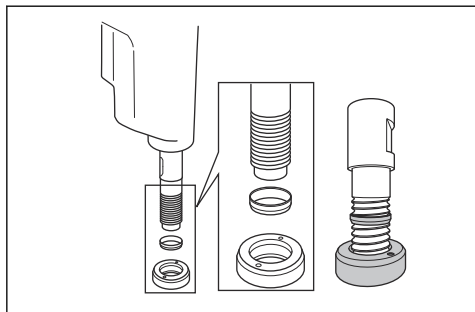


REMARQUE: Lisez attentivement le manuel d'utilisation du support de forage.

- Pour fixer le produit à un support de forage, reportez-vous au manuel du support de forage.
- Utilisez-le uniquement avec un support de forage Husqvarnahomologué. Reportez-vous à la section *Supports de forage appropriés à la page 52*.

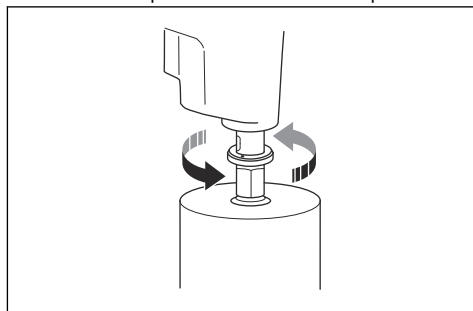
Pour installer un foret

1. Installez l'anneau de friction fourni sur l'arbre à broche.



Remarque: La bague de friction protège l'arbre à broche et la boîte de vitesses lors de la dépose du foret.

2. Tournez le foret dans le sens contraire des aiguilles d'une montre pour l'installer. Serrez complètement.



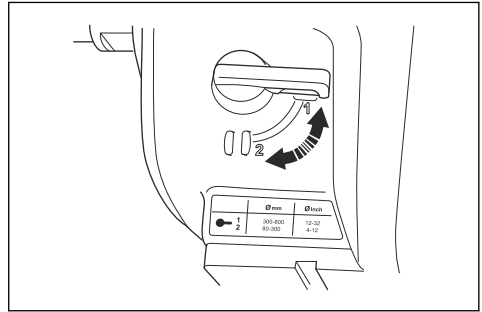
Utilisation

À faire avant de démarrer le produit

1. Lisez attentivement le manuel d'utilisation et assurez-vous de bien comprendre les instructions.
2. Lisez attentivement la section correspondant au support de forage dans le manuel d'utilisation et assurez-vous de bien comprendre les instructions.
3. Utilisez un équipement de protection personnelle. Reportez-vous à la section *Équipement de protection individuel à la page 42*.

- Effectuez l'entretien quotidien. Reportez-vous à la section *Schéma d'entretien à la page 47*.
- Assurez-vous que seules les personnes autorisées se trouvent dans la zone de travail.
- Assurez-vous que le produit est correctement monté et qu'il n'est pas endommagé. Le foret et le support de forage doivent être fixés correctement.
- Assurez-vous que le système d'eau est en bon état et qu'il est raccordé au produit.

- Pour régler la vitesse de fonctionnement, tournez la tige du foret en tournant simultanément le sélecteur de vitesse. Réglez le sélecteur de vitesse dans la position adaptée à l'opération.



Pour raccorder et ouvrir l'arrivée d'eau



REMARQUE: Assurez-vous que la pression d'eau maximale n'est pas trop élevée, en vous reportant à *Caractéristiques techniques à la page 50*.

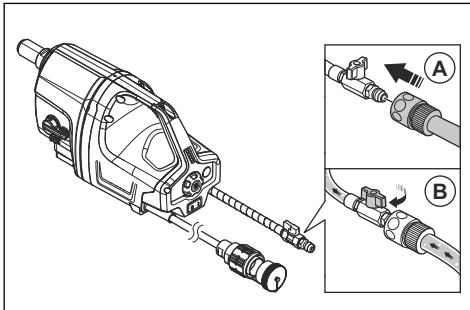


REMARQUE: Utilisez uniquement de l'eau propre pour éviter que la saleté provoque une obstruction dans le système d'eau.



REMARQUE: Utilisez uniquement un raccord d'alimentation en eau approuvé. Pour davantage d'informations, contactez votre revendeur.

- Raccordez la soupape à bille à l'arrivée d'eau (A).



- Ouvrez le système d'eau (B). Réglez la pression d'eau pour retirer tous les déchets du trou de forage.

Pour démarrer le produit



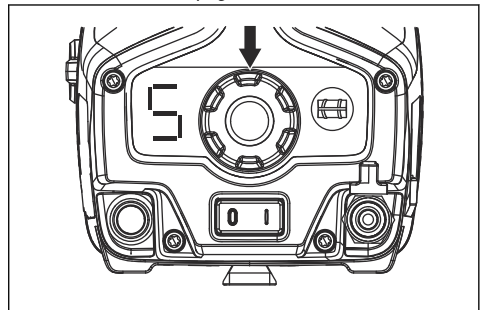
AVERTISSEMENT: Vérifiez que le foret peut tourner librement. Il commence à tourner lorsque le moteur démarre.

- Branchez le produit à un bloc d'alimentation approprié.
- Branchez le bloc d'alimentation à une prise de courant.

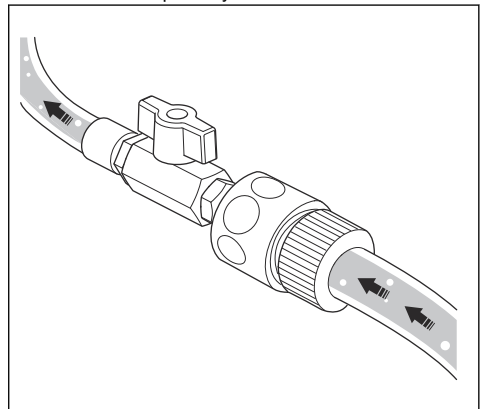


REMARQUE: Ne déplacez pas le sélecteur de vitesse mécanique lorsque le moteur tourne. La boîte de vitesses risque d'être endommagée.

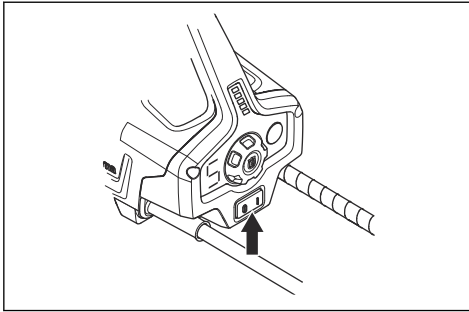
- Tournez le sélecteur de vitesse électronique pour sélectionner une vitesse appropriée pour l'opération. Reportez-vous à la section *Diamètres de foret recommandés à la page 50*.



- Assurez-vous que le système d'eau est ouvert.



6. Placez l'interrupteur de marche/arrêt sur « 1 ».



fonctionnement du produit et de provoquer une surcharge du moteur.

1. Démarrer le moteur. Reportez-vous à la section *Pour démarrer le produit à la page 44*.
2. Laissez le moteur atteindre sa vitesse maximale avant de toucher la surface avec le foret.
3. Poussez le foret dans la surface avec le levier d'alimentation.
4. Si vous percez des renforts en fer, utilisez une pression initiale plus élevée et un rapport inférieur à celui que vous utiliseriez s'il n'y avait pas de renforts en fer.
5. Appliquez une très faible pression au départ afin de maintenir le foret dans la position adéquate.
6. Pendant l'opération, assurez-vous que l'eau élimine tous les déchets du trou de forage. Réglez la pression d'eau si nécessaire.
7. Arrêtez le moteur. Reportez-vous à la section *Pour arrêter le produit à la page 46*.

Pour utiliser le produit



AVERTISSEMENT: Si le PRCD s'engage, retirez le foret du trou avant d'appuyer sur « RÉINITIALISER ».



AVERTISSEMENT: Des accidents dangereux peuvent se produire si le noyau en béton reste dans le foret lorsque vous retirez le foret du trou.



REMARQUE: Assurez-vous qu'aucun objet ne heurte le foret.



REMARQUE: Ne forcez pas plus que nécessaire. Vous risqueriez de ralentir le

Indicateur de charge

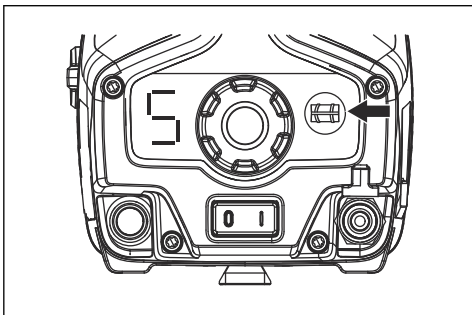


REMARQUE: N'exposez pas le produit à une surcharge à plusieurs reprises, car cela pourrait l'endommager. L'indicateur de charge indique la puissance de sortie et ne représente pas toujours les meilleures recommandations pour l'opération.

Indicateurs LED	Cause	Procédure possible
1 LED verte.	Le produit est branché au bloc d'alimentation et peut être utilisé. La puissance de sortie représente moins de 70 % de la sortie disponible au cours de l'utilisation.	Aucune procédure n'est nécessaire.
2 LED vertes.	La puissance de sortie est comprise entre 70 et 90 % de la sortie disponible au cours de l'utilisation.	Aucune procédure n'est nécessaire.
3 LED vertes.	La puissance de sortie représente plus de 90 % de la sortie disponible.	Aucune procédure n'est nécessaire.
3 LED vertes et 1 LED jaune.	Puissance de sortie maximale.	Aucune procédure n'est nécessaire.
3 LED vertes, 1 LED jaune, 1 LED rouge.	Le produit risquerait de devenir trop chaud.	Réduisez la charge ou la température du moteur et du bloc d'alimentation.

Indicateurs LED	Cause	Procédure possible
Toutes les LED sont allumées ou clignotent.	Le produit est trop chaud et peut s'arrêter brusquement. ⁹	Réduisez la charge ou la température du moteur et du bloc d'alimentation.
	La puissance maximale disponible est automatiquement réduite pour éviter la surchauffe et l'arrêt automatique du produit.	Augmentez la quantité d'eau ou utilisez de l'eau plus froide pour réduire la température du moteur.
		Pour réduire la température du bloc d'alimentation, remplacez le filtre à air ou placez le bloc d'alimentation à une température ambiante plus froide.

Bouton en fer



La fonction du bouton en fer réduit la vitesse de fonctionnement pour faciliter la coupe des matériaux durs, par exemple les barres d'armature.

La vitesse réduite peut également servir à faciliter le passage du foret dans la surface d'autres matériaux. Pour des performances optimales, désactivez la fonction du bouton en fer lorsque le foret traverse la surface et percez le trou à une vitesse normale.

Lorsque l'indicateur de vitesse électronique clignote, la fonction du bouton en fer est activée.

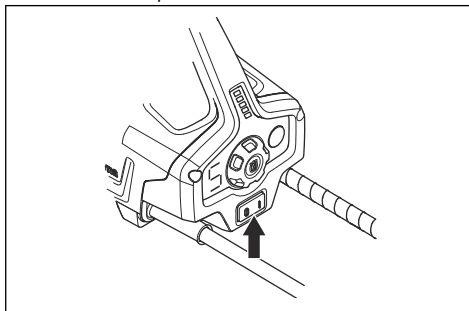
Pour arrêter le produit



AVERTISSEMENT: Le foret continue de tourner quelque instants après l'arrêt du moteur. N'arrêtez pas le foret avec les mains. Vous pourriez vous blesser.

1. Laissez le produit fonctionner sans charge de travail pendant 2 à 3 minutes. Le système d'eau permet de faire baisser la température du moteur.

2. Placez l'interrupteur de marche/arrêt sur « 0 ».



3. Patientez jusqu'à ce que le foret soit complètement arrêté.
4. Fermez l'alimentation en eau.
5. Débranchez le produit de l'alimentation électrique.

Pour remplacer le foret



AVERTISSEMENT: retirez la fiche de la prise de courant avant de remplacer le foret.



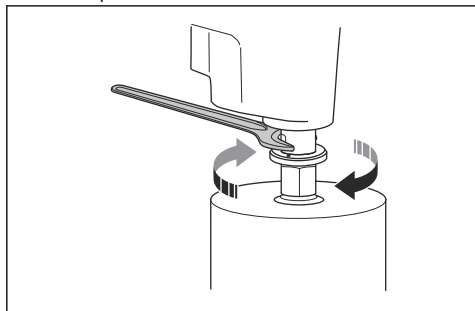
AVERTISSEMENT: utilisez des gants de protection. Laissez le produit refroidir avant de retirer le foret. Le foret et sa zone adjacente sont brûlants après utilisation.



AVERTISSEMENT: utilisez uniquement des forets diamantés homologués pour votre produit. Pour plus d'informations, contactez votre revendeur Husqvarna.

⁹ Si le produit s'arrête à cause d'une surchauffe, les LED continuent de clignoter jusqu'à ce que le produit soit refroidi et puisse être redémarré.

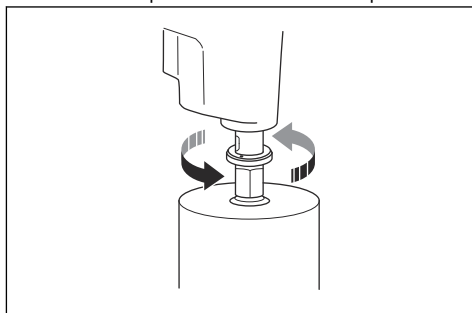
1. Assurez-vous que vous disposez d'un foret neuf, de la clé fournie et d'une graisse hydrofuge.
2. Fixez l'arbre de la tige à l'aide de la clé.
3. Tournez le foret dans le sens des aiguilles d'une montre pour le retirer.



REMARQUE: ne tapez pas sur le produit pour retirer le foret. La boîte de

vitesses et le bâti de forage risquent d'être endommagés.

4. Lubrifiez le filetage de l'arbre à broche avec de la graisse hydrofuge.
5. Tournez le foret dans le sens contraire des aiguilles d'une montre pour l'installer. Serrez complètement.



Entretien

Introduction

d'alimentation avant de procéder à l'entretien.



AVERTISSEMENT: assurez-vous de lire et de comprendre le chapitre sur la sécurité avant de procéder à l'entretien du produit.

Schéma d'entretien

* = Entretien général effectué par l'opérateur. Les instructions ne sont pas mentionnées dans ce manuel d'utilisation.

X = Les instructions sont mentionnées dans ce manuel d'utilisation.



AVERTISSEMENT: Pour éviter les blessures, débranchez le cordon

Entretien	Avant chaque utilisation	Après chaque utilisation	Toutes les 300 heures
Assurez-vous que les écrous et les vis sont serrés.	*		
Assurez-vous que l'interrupteur de marche/arrêt fonctionne correctement. Reportez-vous à la section <i>Pour contrôler l'interrupteur marche/arrêt à la page 42.</i>	X		
Nettoyez les surfaces extérieures du produit.	X	X	
Vérifiez qu'il n'y a pas de graisse ou d'huile sur la poignée.	*	*	
Vérifiez que le cordon d'alimentation et le branchement au bloc d'alimentation ne sont pas endommagés.	*	*	
Assurez-vous que les pièces mobiles fonctionnent correctement et peuvent être déplacées librement.	*		
Assurez-vous que le foret est affûté et propre.	X		
Remplacez l'huile de la boîte de vitesses.			X

Entretien	Avant chaque utilisation	Après chaque utilisation	Toutes les 300 heures
Vérifiez que les raccords d'eau ne sont pas endommagés et ne présentent pas de fuite d'eau.		X	

Nettoyage du produit



REMARQUE: Assurez-vous que de l'eau ne s'infiltre pas dans le moteur ou la boîte de vitesses.



REMARQUE: N'utilisez pas d'eau courante pour nettoyer le produit.

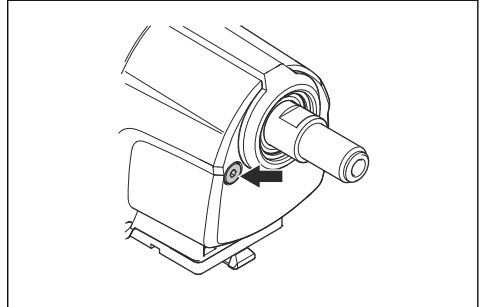
- Utilisez un chiffon sec ou humide pour nettoyer le produit.
- Éliminez toute obstruction de toutes les prises d'air. Une prise d'air obstruée réduit les performances du produit et peut provoquer une surchauffe du moteur.
- Nettoyez et lubrifiez le filetage de l'arbre à broche.

Pour effectuer l'entretien du foret diamanté

- Assurez-vous que les segments d'outils diamantés sont affûtés. Affûtez les segments en diamant émoussés à l'aide d'une pierre d'affûtage SiC.
- Assurez-vous qu'il n'y a pas de vibrations dans le foret. En cas de vibrations dans le foret, les segments diamantés peuvent se desserrer.
- Assurez-vous que la taille des segments en diamant soit suffisamment supérieure aux diamètres intérieur et extérieur du tube de foret.
- Lubrifiez le filetage du foret avec de la graisse hydrofuge. Cela permet de desserrer l'outil plus facilement.
- Assurez-vous que la tolérance d'excentricité radiale au niveau des segments en diamant du foret ne dépasse pas 1 mm.

Remplacement de l'huile dans la boîte de vitesses

1. Ôtez le bouchon de vidange d'huile.



2. Laissez l'huile de la boîte de vitesses s'écouler dans un récipient.



REMARQUE: Mettez l'huile usagée au rebut dans une déchetterie appropriée.

3. Si nécessaire, faites nettoyer la boîte de vitesses par un centre d'entretien Husqvarna agréé.
4. Faites le plein d'huile de boîte de vitesses neuve. Reportez-vous à la section *Caractéristiques techniques à la page 50* pour connaître le type d'huile et la quantité corrects.
5. Nettoyez le bouchon de vidange d'huile. Le bouchon de vidange d'huile est doté d'un aimant qui capture les particules de métal.
6. Installez le bouchon de vidange d'huile.

Pour examiner le raccord d'eau



REMARQUE: En cas de fuite d'eau au niveau de la bague du raccord d'eau, les joints d'arbre doivent être remplacés immédiatement.

- Faites réparer le raccord d'eau par un centre d'entretien Husqvarna agréé.

Transport et stockage

- Conservez le produit dans un endroit verrouillé afin que des enfants ou personnes qui ne sont pas autorisées à l'utiliser ne puissent pas y avoir accès.
- Conservez le produit dans un endroit sec et à l'abri du gel.

- Retirez le foret avant de transporter ou de remiser le produit. Cette précaution permet d'éviter d'endommager votre produit et les forêts.
- Sécurisez le produit lors de son transport pour éviter tout dommage ou accident.

Caractéristiques techniques

Caractéristiques techniques

Moteur	
Moteur électrique	HF Haute fréquence
Puissance maximale à la broche, kW	6
Poids, kg/lb	13,6/29,9
Huile de boîte de vitesses	
Type	Q8 T 65 SAE 75W-90
Capacité, l/quarts	1,0/1,06
Foret	
Diamètre maximal recommandé, mm/pouces	600/24
Diamètre minimal recommandé, mm/pouce	100/4
Filetage axe	G 1 ¼"
Refroidissement par eau	
Pression d'eau minimale et maximale, bar/PSI	0,5-8/7,2-116
Débit d'eau minimal recommandé à une température d'eau de 15 °C, l/min	0,5
Raccord d'eau	G ¼"
Émissions sonores ¹⁰	
Niveau de puissance sonore mesuré dB(A)	112
Niveau de puissance sonore, mesuré dB(A)	113
Niveau de pression sonore à l'oreille de l'utilisateur, dB(A) ¹¹	98
Niveaux de vibration, a_{hv} ¹²	
Poignée, m/s ²	1.0

Diamètres de foret recommandés

Boîte de vitesses mécanique	Vitesse électronique	Vitesse, tr/min.	Diamètre du foret, mm/po.
1	1	125	600/24

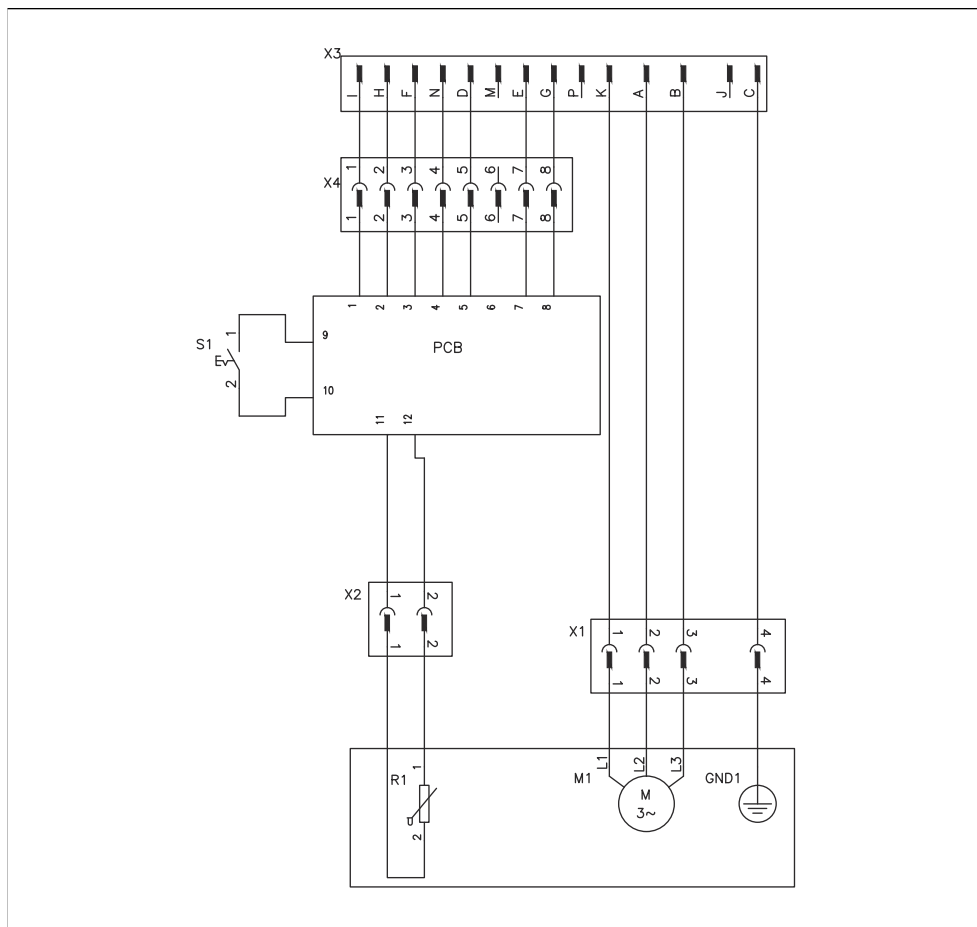
¹⁰ Émissions sonores dans l'environnement mesurées en tant que puissance acoustique (L_{WA}) conformément à EN 12348.

¹¹ Niveau de pression sonore conformément à EN 12348. Les données reportées pour le niveau de pression sonore montrent une dispersion statistique typique (déviations standard) de 1,0 dB(A).

¹² Niveau de vibrations conformément à EN 12348. Les données reportées pour le niveau de vibrations montrent une dispersion statistique typique (déviations standard) de 1 m/s².

Boîte de vitesses mécanique	Vitesse électronique	Vitesse, tr/min.	Diamètre du foret, mm/po.
1	2	139	500/20
1	3	156	450/18
1	4	175	400/16
1	5	196	350/14
1	6	220	300/12
1	7	247	250/10
1	8	278	225/9
1	9	310	200/8
2	1	270	250/10
2	2	299	225/9
2	3	336	200/8
2	4	377	176/7
2	5	423	150/6
2	6	475	125/5
2	7	534	100/4
2	8	599	90/3,5
2	9	675	80/3

Schéma de câblage



Accessoires

Supports de forage appropriés

Le produit est compatible avec les supports de forage Husqvarna suivants :

- DS500, recommandé pour les forets de 400 mm de diamètre maximum.
- DS900, recommandé pour les forets allant de 400 mm à 600 mm de diamètre.

Entretien

Atelier d'entretien agréé

Pour trouver l'atelier d'entretien Husqvarna Construction Products agréé le plus proche, rendez-vous sur le site Web www.husqvarnacp.com.

Déclaration de conformité

Déclaration de conformité UE

Nous, **Husqvarna AB**, SE-561 82 Huskvarna, Suède,
tél : +46-36-146500, déclarons sous notre entière
responsabilité que le produit :

Description	Foreuse diamantée transportable
Marque	Husqvarna
Type/Modèle	DM700
Identification	Numéros de série à partir de 2022 et ultérieurs

est entièrement conforme à la réglementation et aux
directives de l'UE suivantes :

Directive/Réglementation	Description
2006/42/EC	« relative aux machines »

et que les normes harmonisées et/ou les spécifications
techniques suivantes sont appliquées :

EN ISO 12100:2010

EN 12348:2000+A1:2009

Partille, 2022-10-10



Edvard Gulis

Directeur R&D, découpe et forage de béton

Husqvarna AB, division Construction

Responsable de la documentation technique

Inhoud

Inleiding.....	54	Transport en opslag.....	66
Veiligheid.....	55	Technische gegevens.....	67
Montage.....	60	Accessoires.....	69
Werking.....	61	Service.....	69
Onderhoud.....	64	Verklaring van overeenstemming.....	70

Inleiding

Productbeschrijving

Deze boormotor is een elektrische kernboor die moet worden gebruikt met een goedgekeurde boorstandaard. De stroombron is een krachtbron.

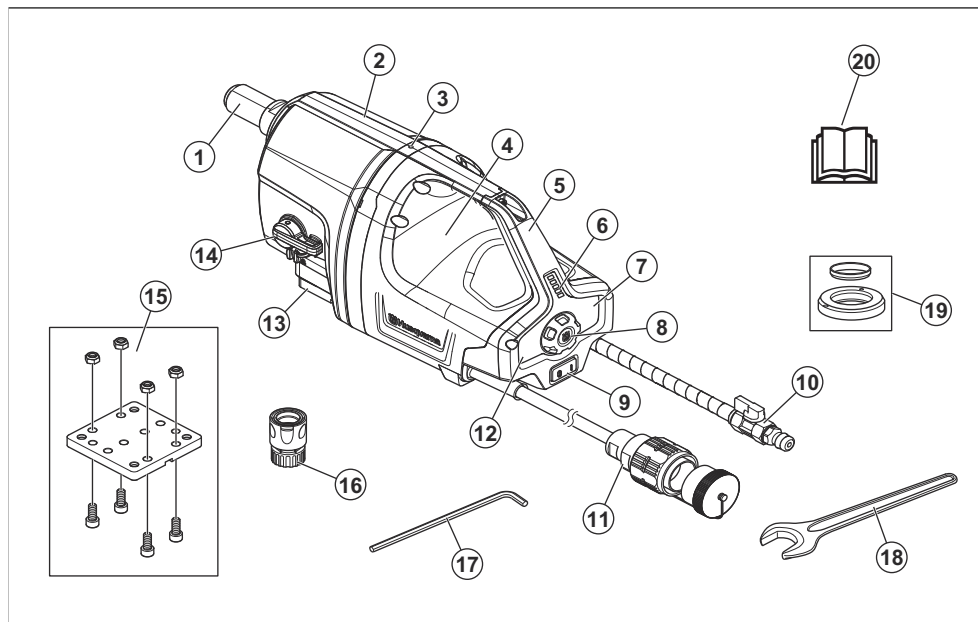
De diamantboor is een holle boor met diamantsegmenten. Water stroomt door het kogelventiel, de slang en de diamantboorbit. Het water spoelt het uitgeboorde materiaal uit de sleuf en verlaagt de temperatuur in de boorbit.

Gebruik

Het product wordt gebruikt voor het boren van hard metselwerk, staal en andere harde materialen. Het product wordt geïnstalleerd op een goedgekeurde boorstandaard. Elk ander gebruik is niet geschikt.

Het product wordt door ervaren gebruikers toegepast in industriële processen.

Productoverzicht



- | | |
|-------------------------------|---|
| 1. Boorspil | 7. IJzer-knop |
| 2. Versnellingsbak | 8. Versnellingschakelaar, elektronische versnellingen |
| 3. Lekindicator | 9. AAN/UIT-schakelaar |
| 4. Behuizing van het product | 10. GARDENA® mannelijke koppeling met waterventiel |
| 5. Hendel | 11. Aansluiting voor voeding |
| 6. Indicator voor de werklast | 12. Geselecteerde elektronische versnelling |

13. Snelbevestigingsplaat voor Husqvarna boorstandaard
14. Versnellingschakelaar, mechanische versnellingen
15. Montageplaat voor Husqvarna boorstandaard
16. GARDENA® wateraansluiting
17. Inbussleutel, 8 mm
18. Sleutel
19. Glijring
20. Husqvarna Automower® 420/430X/440



Milieumarkering. Het product of de verpakking ervan is geen huishoudelijk afval. Lever het in bij een erkende verwijderingslocatie voor elektrische en elektronische apparatuur.

Symbolen op het product



WAARSCHUWING! Dit product kan gevaarlijk zijn en ernstig of fataal letsel toebrengen aan de gebruiker of anderen. Wees voorzichtig en gebruik het product op de juiste manier.



Lees de bedieningshandleiding goed door en zorg dat u de instructies hebt begrepen voordat u dit product gaat gebruiken.



Gebruik altijd een goedgekeurde persoonlijke beschermingsuitrusting. Zie *Persoonlijke beschermingsuitrusting op pagina 59.*



Dit product voldoet aan de geldende EG-richtlijnen.

Productaansprakelijkheid

Zoals uiteengezet in de wet voor productaansprakelijkheid zijn wij niet aansprakelijk voor schade die door ons product wordt veroorzaakt, indien:

- het product niet goed is gerepareerd.
- het product is gerepareerd met onderdelen die niet van de fabrikant afkomstig zijn, of onderdelen die niet zijn goedgekeurd door de fabrikant.
- het product een accessoire bevat dat niet afkomstig is van de fabrikant of niet is goedgekeurd door de fabrikant.
- het product niet is gerepareerd door een erkend servicepunt of door een erkende autoriteit.

Veiligheid

Veiligheidsdefinities

Waarschuwingen, voorzorgsmaatregelen en opmerkingen worden gebruikt om te wijzen op belangrijke delen van de handleiding.



WAARSCHUWING: Wordt gebruikt om te wijzen op de kans op ernstig of fataal letsel voor de gebruiker of omstanders wanneer de instructies in de handleiding niet worden gevolgd.



OPGELET: Wordt gebruikt indien er een risico bestaat op schade aan het product en andere eigendommen of aan de omgeving wanneer de instructies in de handleiding niet worden gevolgd.

Let op: Geven verdere informatie die nodig is in een bepaalde situatie.

Algemene veiligheidswaarschuwingen voor elektrisch gereedschap



WAARSCHUWING: Lees alle veiligheidswaarschuwingen, instructies, illustraties en specificaties die worden meegeleverd met dit elektrisch gereedschap. Het niet opvolgen van ieder van de onderstaande instructies kan leiden tot elektrische schokken, brand en/of ernstig letsel.

Let op: Bewaar alle waarschuwingen en instructies voor later gebruik. De term "elektrisch gereedschap" in de waarschuwingen verwijst zowel naar gereedschappen die op het lichtnet (met snoer) werken als gereedschappen die met een accu (snoerloos) werken.

Veiligheid van het werkgebied

- **Zorg ervoor dat de werkplek schoon en goed verlicht is.** In rommelige of donkere gebieden gebeuren eerder ongelukken.
- **Gebruik elektrisch gereedschap niet in een omgeving waar ontploffingsgevaar bestaat, zoals in de buurt van brandbare vloeistoffen, gassen of stof.** Elektrische apparaten creëren vonken waardoor het stof of de dampen kunnen ontbranden.
- **Houd kinderen en omstanders op afstand wanneer u elektrisch gereedschap gebruikt.** U kunt de controle over het apparaat verliezen als u afgeleid wordt.

Elektrische veiligheid

- **Elektrisch gereedschap moet geschikt zijn voor het betreffende stopcontact. Wijzig nooit de stekker. Gebruik nooit een adapterstekker in combinatie met geaarde elektrische gereedschappen.** Ongewijzigde stekkers en overeenkomende stopcontacten verkleinen het risico op elektrische schokken.
- **Vermijd lichamelijk contact met geaarde oppervlakken, zoals buizen, radiatoren, fornuizen en koelkasten.** Er is een verhoogd risico op elektrische schokken als uw lichaam geaard is.
- **Stel elektrische gereedschappen niet bloot aan regen of vochtige omstandigheden.** Water dat in elektrisch gereedschap binnendringt, verhoogt het risico op elektrische schokken.
- **Gebruik de kabel niet voor oneigenlijke doeleinden. Gebruik de kabel nooit om het elektrische apparaat te dragen, het mee te slepen of om de stekker uit het stopcontact te trekken. Houd de kabel uit de buurt van warme, olie, scherpe randen en bewegende onderdelen.** Beschadigde of in de knoop geraakte kabels verhogen het risico op elektrische schokken.
- **Gebruik een verlengkabel die geschikt is voor gebruik buitenshuis wanneer u buiten werkt met elektrisch gereedschap.** Het gebruik van een kabel die geschikt is voor gebruik buitenshuis, vermindert het risico op elektrische schokken.
- **Als gebruik van een elektrisch apparaat in een vochtige omgeving onvermijdelijk is, gebruik dan een netvoeding met reststroombescherming (RCD).** Het gebruik van een aardlekschakelaar vermindert het risico op elektrische schokken.

Persoonlijke veiligheid

- **Wees altijd alert, kijk wat u doet en gebruik uw gezonde verstand wanneer u elektrisch gereedschap gebruikt. Gebruik elektrisch gereedschap niet als u moe bent of onder invloed bent van drugs, alcohol of medicijnen.** Een moment van onoplettendheid tijdens het gebruik van elektrische apparaten kan leiden tot ernstig persoonlijk letsel.
- **Maak altijd gebruik van persoonlijke beschermingsmiddelen. Draag altijd oogbescherming.** Beschermingsmiddelen zoals een stofmasker, veiligheidsschoenen met antislipprofiel,

een veiligheidshelm of gehoorbescherming in relevante werkomstandigheden beperken letsel.

- **Voorkom een onbedoelde start. Zorg ervoor dat de schakelaar in de stand Off staat voordat u het gereedschap aansluit op een spanningsbron en/of accupack, oppakt of draagt.** Het dragen van elektrische apparaten met uw vinger op de schakelaar of het onder spanning zetten van elektrische apparaten waarvan de schakelaar op aan staat, kan makkelijk leiden tot ongelukken.
- **Verwijder eventuele (instel) sleutels voordat u het elektrisch gereedschap inschakelt.** Een sleutel die is bevestigd aan een draaiend onderdeel van het elektrische gereedschap kan persoonlijk letsel tot gevolg hebben.
- **Voorkom overstrekken. Zorg dat u te allen tijde stevig en in balans staat.** Hierdoor heeft u een betere controle over het apparaat in onverwachte situaties.
- **Draag geschikte kleding. Draag geen losse kleding of sieraden. Houd uw haar en kleding uit de buurt van bewegende onderdelen.** Losse kleding, sieraden of lang haar kunnen verstrikt raken in bewegende onderdelen.
- **Als de mogelijkheid bestaat voor het opvangen van stof moet u ervoor zorgen dat deze is aangesloten en op de juiste wijze wordt gebruikt.** Het gebruik van stofopvang kan stofgerelateerde gevaren beperken.
- **Laat de vertrouwdheid met de deur u gebruiken apparaten door het frequente gebruik ervan niet toe leiden dat u de veiligheidsprincipes negeert.** Een onzorgvuldige handeling kan binnen een fractie van een seconde leiden tot ernstig letsel.

Gebruik en verzorging van elektrische apparaten

- **Gebruik elektrische gereedschap niet voor taken waarvoor het niet geschikt is. Gebruik het juiste elektrische apparaat voor uw toepassing.** Met het juiste elektrische apparaat kunt u de taak beter en veiliger uitvoeren met de snelheid waarvoor het is ontworpen.
- **Gebruik het elektrisch gereedschap niet als de aan/uitschakelaar niet werkt.** Elektrische apparaten die niet bediend kunnen worden met de schakelaar zijn gevaarlijk en moeten gerepareerd worden.
- **Haal de stekker uit het stopcontact en/of verwijder het accupack (indien verwijderbaar) van het elektrische gereedschap voordat u aanpassingen maakt, accessoires verwisselt of het elektrische gereedschap opbergt.** Deze voorzorgsmaatregelen verkleinen het risico op het per ongeluk starten van het elektrische apparaat.
- **Berg elektrische gereedschap dat u niet nodig hebt op buiten het bereik van kinderen en laat personen die onbekend zijn met het elektrisch gereedschap of deze instructies niet werken met het elektrisch gereedschap.** Elektrische apparaten zijn gevaarlijk in handen van ongetrainde gebruikers.

- **Zorg voor een deugdelijk onderhoud van elektrische gereedschappen en accessoires. Controleer op onjuiste montage of vastlopen van bewegende delen, gebroken onderdelen en andere condities die de werking van het elektrische gereedschap kunnen beïnvloeden. Als het elektrische apparaat beschadigd is, moet u het laten repareren voordat u het gebruikt.** Veel ongelukken worden veroorzaakt door slecht onderhouden elektrische apparaten.
- **Houd snijgereedschappen scherp en schoon.** Goed onderhouden snijgereedschappen met scherpe snijranden zullen minder gauw vastlopen en zijn eenvoudiger onder controle te houden.
- **Gebruik het elektrisch gereedschap, de accessoires, gereedschapsbits en dergelijke in overeenstemming met deze instructies en houd hierbij rekening met de werkomstandigheden en het type kuis dat moet worden uitgevoerd.** Als u het elektrische apparaat voor andere toepassingen gebruikt dan waarvoor het is bedoeld, kan er een gevaarlijke situatie ontstaan.
- **Houd de handgrepen en grijppoppervlakken droog, schoon en vrij van olie en vet.** Als handgrepen en grijppoppervlakken glad zijn, kan dit ervoor zorgen dat het gereedschap in onverwachte situaties niet veilig kan worden gehanteerd en bediend.

Service

- **Laat uw elektrische apparaat repareren door een gekwalificeerde monteur en gebruik uitsluitend identieke vervangingsonderdelen.** Dit zorgt ervoor dat de veiligheid van het elektrisch gereedschap wordt gehandhaafd.

Veiligheidswaarschuwingen voor diamantboor

- **Wanneer u boorwerkzaamheden uitvoert waarbij water moet worden gebruikt, moet u het water uit de werkomgeving van de gebruiker leiden of een vloeistofopvangsysteem gebruiken.** Dergelijke voorzorgsmaatregelen houden de werkomgeving van de gebruiker droog en beperken het risico op elektrische schokken.
- **Bedien het gereedschap via de geïsoleerde handgrepen tijdens het uitvoeren van werkzaamheden waarbij het snijtoebehoren in aanraking kan komen met verborgen bedrading of de eigen voedingskabel.** Als het snijtoebehoren een onder stroom staande draad aanraakt, kan dit ervoor zorgen dat niet-geïsoleerde delen van het gereedschap ook onder stroom komen, waardoor de gebruiker een elektrische schok kan krijgen.
- **Draag gehoorbescherming bij diamantboren.** Blootstelling aan lawaai kan leiden tot gehoorverlies.
- **Oefen wanneer het bit is vastgelopen geen neerwaartse druk uit en schakel het gereedschap uit.** Onderzoek de oorzaak van het vastzittende bit en neem maatregelen om het probleem te verhelpen.
- **Bij het opnieuw starten van een diamantboor in het werkstuk moet worden gecontroleerd of het**

bit vrij kan draaien voordat u begint. Als het bit is vastgelopen, kan het gereedschap mogelijk niet starten, overbelast raken of kan de diamantboor van het werkstuk loskomen.

- **Zorg er wanneer u de boorstandaard met ankers en overige bevestigingen aan het werkstuk vastzet voor dat de gebruikte verankering de machine tijdens gebruik kan vast- en tegenhouden.** Als het werkstuk zwak of poreus is, kan het anker naar buiten worden getrokken, waardoor de boorstandaard loskomt van het werkstuk.
- **Wanneer u door muren of plafonds boort, dient u ervoor te zorgen dat personen en het werkgebied aan de andere kant worden beschermd.** Het bit kan door het gat steken of de kern kan aan de andere kant naar buiten vallen.
- **Gebruik bij bovenhoofds boren altijd het vloeistofopvangsysteem dat in de instructies wordt vermeld. Zorg ervoor dat er geen water in het gereedschap terechtkomt.** Water dat in het elektrische gereedschap binnendringt, verhoogt het risico op elektrische schokken.

Algemene veiligheidsinstructies



WAARSCHUWING: Lees de volgende waarschuwingen voordat u het product gaat gebruiken.

- Dit product kan bij onvoorzichtig of onjuist gebruik een gevaarlijk gereedschap zijn. Dit product kan ernstig of fataal letsel toebrengen aan de gebruiker of anderen. Het is erg belangrijk dat u deze gebruiksaanwijzing leest en begrijpt voordat u dit product gaat gebruiken.
- Bewaar alle waarschuwingen en instructies.
- U dient alle toepasselijke wet- en regelgeving in acht te nemen.
- De gebruiker en de werkgever van de gebruiker dienen op te hoogte te zijn van de risico's tijdens het gebruik van het product en moeten deze voorkomen.
- Zorg ervoor dat dit product alleen wordt gebruikt door personen die de inhoud van de gebruikershandleiding hebben gelezen en begrepen.
- Gebruik het product alleen als u voorafgaand aan gebruik training hebt ontvangen. Zorg ervoor dat alle gebruikers getraind worden.
- Laat het product niet door een kind bedienen.
- Het product mag alleen worden gebruikt door goedgekeurde personen.
- De gebruiker is verantwoordelijk indien ongelukken gebeuren met andere mensen of hun eigendommen.
- Gebruik het product nooit als u moe of ziek bent, of onder invloed van alcohol, drugs of medicijnen verkeert.
- Wees altijd voorzichtig en gebruik uw gezond verstand.
- Dit product produceert tijdens bedrijf een elektromagnetisch veld. Dit veld kan onder bepaalde

omstandigheden de werking van actieve of passieve medische implantaten verstoren. Om het risico op ernstig of fataal letsel te verminderen, raden we personen met een medisch implantaat aan om contact op te nemen met hun arts en de fabrikant van het medische implantaat voordat ze dit product gebruiken.

- Houd het product schoon. Zorg ervoor dat u de aanduidingen en stickers duidelijk kunt lezen.
- Gebruik het product niet als het beschadigd is.
- Breng geen wijzigingen aan dit product aan.
- Gebruik het product niet als de mogelijkheid bestaat dat andere personen wijzigingen aan het product hebben aangebracht.

Gebruik altijd uw gezond verstand



WAARSCHUWING: Onder geen beding mag u wijzigingen aanbrengen in het oorspronkelijke ontwerp van de machine zonder toestemming van de fabrikant. Gebruik altijd originele reserveonderdelen. Ongeautoriseerde wijzigingen en/of accessoires kunnen ernstig of dodelijk letsel aan de gebruiker of anderen toebrengen.



WAARSCHUWING: Het gebruik van producten zoals doorslijpmachines, slijpparameters en boren om materiaal te schuren of te vormen, kan stof en dampen veroorzaken die gevaarlijke chemicaliën kunnen bevatten. Controleer de aard van het materiaal dat u wilt bewerken en draag een geschikt ademmasker.

Het is niet mogelijk om elke situatie die zich kan voordoen tijdens het gebruik van een boormachine te vermelden. Wees altijd voorzichtig en gebruik uw gezond verstand. Vermijd situaties die uw capaciteiten te boven gaan. Als u na het lezen van deze instructies nog vragen hebt over de bedieningsprocedures dient u een expert te raadplegen voordat u verder gaat. Aarzel niet om contact op te nemen met uw dealer of ons als u nog meer vragen hebt over het gebruik van deze boormachine. We zijn graag bereid om u te adviseren of u te helpen uw boormachine op een efficiënte en veilige manier te gebruiken.

Aarzel niet om contact op te nemen met uw leverancier als u nog meer vragen hebt over het gebruik van deze machine. We zijn graag bereid om u te adviseren of u te helpen uw machine op een efficiënte en veilige manier te gebruiken.

Laat uw Husqvarna-dealer de boormachine regelmatig controleren en de noodzakelijke aanpassingen en reparaties uitvoeren.

Husqvarna Construction Products werkt voortdurend aan het verder ontwikkelen van zijn producten. Husqvarna behoudt zich het recht voor om zonder

aankondiging vooraf wijzigingen in vorm en uiterlijk door te voeren en zonder enige verplichting het ontwerp te wijzigen.

Alle informatie en gegevens in deze bedieningshandleiding waren van toepassing op de datum dat deze gebruiksaanwijzing ter perse ging.

Veiligheidsinstructies voor bediening



WAARSCHUWING: Lees de volgende waarschuwingen voordat u het product gaat gebruiken.

- Gebruik het product alleen als u weet dat u hulp kunt krijgen indien zich een ongeval voordoet.
- Gebruik het product niet bij ongunstige weersomstandigheden, zoals mist, regen, sterke wind, hevige koude of andere ongunstige omstandigheden. Bij slecht weer kunnen gevaarlijke omstandigheden, zoals gladde oppervlakken, ontstaan.
- Kijk uit voor personen, objecten en situaties die een veilig gebruik van het product kunnen verhinderen.
- Wanneer de boor tijdens bedrijf omhoog wijst, moet u altijd een geschikte bak gebruiken om het water op te vangen.
- Bevestig het product altijd aan een geschikte boorstandaard voordat u het gebruikt. Zie *Het product bevestigen op een boorstandaard op pagina 60*.
- Zorg er altijd voor dat u de motor in een noodsituatie snel kunt stoppen.
- Controleer of er geen leidingen of elektrische kabels lopen op de plek waar u het gat gaat boren.
- Zet de motor onmiddellijk stop als het product niet correct werkt.
- Zorg ervoor dat u stabiel en veilig staat tijdens het gebruik.
- Blijf op afstand van de boorbit wanneer de motor draait.
- Blijf in de buurt van het product wanneer de motor is ingeschakeld.
- Haal altijd de stekker uit het stopcontact voordat u apparaat onbeheerd achterlaat.
- Zorg ervoor dat alle onderdelen in een goede staat blijven en controleer of alle fittingen goed vastzitten.
- Als er trillingen optreden in het product of als het geluidsniveau van het product ongewoon hoog is, dient u het product onmiddellijk te stoppen. Controleer het product op schade. Repareer schade of laat een erkende servicewerkplaats de reparatie uitvoeren.
- Gebruik altijd goedgekeurde accessoires. Neem voor meer informatie contact op met uw dealer.

Verlengkabels

- Gebruik alleen goedgekeurde verlengkabels met voldoende lengte.

- De markering op de verlengkabel moet gelijk zijn aan of hoger zijn dan de waarde op het productplaatje van het product.
- Gebruik geaarde verlengkabels.
- Gebruik een verlengkabel die geschikt is voor gebruik buitenshuis wanneer u buiten werkt met het product. Dit vermindert de kans op een elektrische schok.
- Houd de aansluiting op de verlengkabel droog en zorg dat deze de grond niet raakt.
- Houd de verlengkabel uit de buurt van hitte, olie, scherpe randen en bewegende delen. Een beschadigde kabel verhoogt het risico op elektrische schokken.
- Controleer of de verlengkabel in goede staat verkeert en niet beschadigd is.
- Gebruik de verlengkabel niet in opgerolde toestand. Daardoor kan de kabel oververhit raken.
- Zorg ervoor dat de verlengkabel achter u en het product ligt wanneer u het product gebruikt. Zo voorkomt u dat de verlengkabel beschadigd raakt.

Persoonlijke beschermingsuitrusting



WAARSCHUWING: Lees de volgende waarschuwingen voordat u het product gaat gebruiken.

- Draag tijdens het gebruik van het product altijd goedgekeurde persoonlijke beschermingsuitrusting. Persoonlijke beschermingsuitrusting kunnen niet alle risico's uitsluiten maar kunnen de ernst van eventueel letsel helpen beperken. Vraag uw dealer u te helpen bij het kiezen van de juiste beschermingsuitrusting.
- Controleer regelmatig de toestand van uw persoonlijke beschermingsmiddelen.
- Draag een goedgekeurde veiligheidshelm.
- Gebruik goedgekeurde gehoorbescherming.
- Gebruik goedgekeurde ademhalingsbescherming.
- Gebruik goedgekeurde oogbescherming met zijbescherming.
- Draag veiligheidshandschoenen.
- Gebruik laarzen met stalen neus en antislipzool.
- Gebruik goedgekeurde werkkleding of gelijkwaardige nauwsluitende kleding met lange mouwen en lange broekspijpen.

Brandblusser

- Zorg dat er een brandblusser in de buurt is tijdens het gebruik van dit product.
- Gebruik een poederblusser van de klasse "ABE" of een kooldioxidebrandblusser van het type "BE".

Veiligheidsvoorzieningen op het product

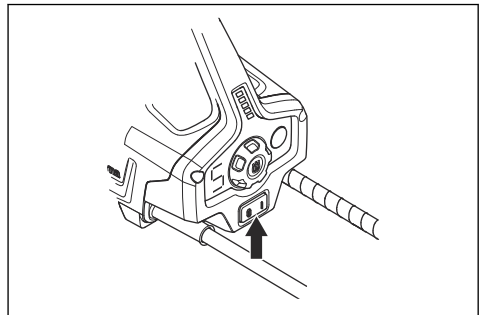


WAARSCHUWING: Lees de volgende waarschuwingen voordat u het product gaat gebruiken.

- Gebruik het product nooit wanneer de veiligheidsvoorzieningen defect zijn.
- Controleer de veiligheidsvoorzieningen regelmatig op een juiste werking. Als de veiligheidsvoorzieningen defect zijn, neem dan contact op met uw Husqvarna servicewerkplaats.
- Voer geen veranderingen uit aan veiligheidsvoorzieningen.

AAN/UIT-schakelaar

De AAN/UIT-schakelaar wordt gebruikt om het product te starten en te stoppen.



De AAN/UIT-schakelaar controleren

1. Sluit het product aan op de voeding.
2. Zet de AAN/UIT-schakelaar op 1 om het product te starten.
3. Zet de AAN/UIT-schakelaar op "0" en zorg ervoor dat het product stopt.

Frictiekoppeling

De frictiekoppeling is geïntegreerd in de tandwielkast van het product. Deze voorkomt schade aan het product als de boor tijdens bedrijf stopt. Als de belasting te hoog is, wordt de frictiekoppeling losgelaten en stopt de boorspil, maar blijft de motor enkele seconden ingeschakeld. De frictiekoppeling wordt weer ingeschakeld als de belasting wordt verlaagd en de bewerking kan worden voortgezet. Als de boorbit vast komt te zitten in het materiaal en volledig stopt, stopt de frictiekoppeling de motor onmiddellijk.



OPGELET: Zorg ervoor dat de vrijgavetijd van de koppeling niet meer dan 3-4 seconden bedraagt, omdat anders slijtage en warmte snel zullen toenemen.

Veiligheidsinstructies voor onderhoud



WAARSCHUWING: Lees de volgende waarschuwingen voordat u het product gaat gebruiken.

- Stop het product en ontkoppel de voeding voordat u onderhoud uitvoert.
- Maak altijd gebruik van persoonlijke beschermingsmiddelen.
- Zorg ervoor dat alle onderdelen in een goede staat blijven en controleer of alle fittingen goed vastzitten.

- Voer de in deze handleiding beschreven veiligheidscontroles en onderhouds- en servicetaken uit. Alle overige onderhoudswerkzaamheden moeten worden uitgevoerd door een erkende servicedealer.
- Als het netsnoer of de elektrische aansluiting moet worden vervangen, moet dit worden uitgevoerd door een erkende servicedealer.
- Controleer het product regelmatig om een goede werking te waarborgen. Zie *Onderhoudsschema op pagina 64*.
- Gebruik geen product dat defect is.

Montage

Inleiding



WAARSCHUWING: Zorg dat u het hoofdstuk over veiligheid hebt gelezen en begrepen voordat u het apparaat monteert.



WAARSCHUWING: Koppel alvorens te monteren de voedingskabel los en verwijder het boorbit om letsel te voorkomen.

Het product bevestigen op een boorstandaard

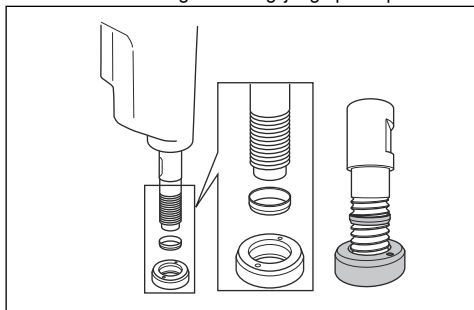


OPGELET: Lees de bedieningshandleiding voor de boorstandaard zorgvuldig door.

- Raadpleeg de handleiding van de boorstandaard om het product aan een boorstandaard te bevestigen.
- Gebruik uitsluitend met door Husqvarna goedgekeurde boorstandaarden. Zie *Geschikte boorstandaards op pagina 69*.

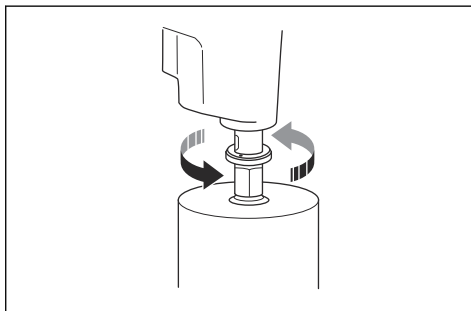
Een boorbit installeren

1. Installeer de meegeleverde glijring op de spilas.



Let op: De glijring voorkomt schade aan de spilas en de tandwielkast bij het verwijderen van de boorbit.

2. Draai de boorbit linksom om deze te installeren. Draai de bit helemaal vast.



Werking

Voordat u het product gebruikt

1. Lees de gebruikershandleiding zorgvuldig door en zorg dat u de instructies hebt begrepen.
2. Lees de bedieningshandleiding van de boorstandaard zorgvuldig door en zorg dat u de instructies hebt begrepen.
3. Maak altijd gebruik van persoonlijke beschermingsmiddelen. Zie *Persoonlijke beschermingsuitrusting op pagina 59*.
4. Voer dagelijks onderhoud uit. Zie *Onderhoudsschema op pagina 64*.
5. Zorg ervoor dat er alleen goedgekeurde personen in het werkgebied zijn.
6. Controleer of het product goed gemonteerd en niet beschadigd is. De boorbit en boorstandaard moeten correct worden bevestigd.
7. Controleer of het watersysteem niet beschadigd is en op het product is aangesloten.

De watertoevoer aansluiten en openen



OPGELET: Controleer of de maximale waterdruk niet te hoog is, zie *Technische gegevens op pagina 67*.

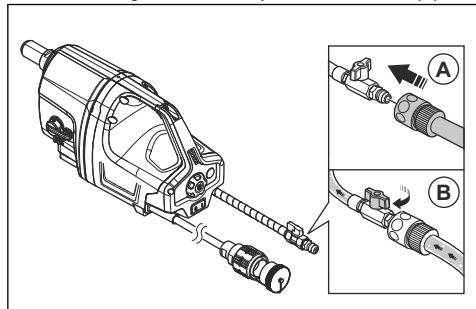


OPGELET: Gebruik alleen schoon water om te voorkomen dat vuil een verstopping in het watersysteem veroorzaakt.



OPGELET: Gebruik uitsluitend een goedgekeurde watertoevoerkoppeling. Neem voor meer informatie contact op met uw dealer.

1. Sluit het kogelventiel aan op de watertoevoer (A).



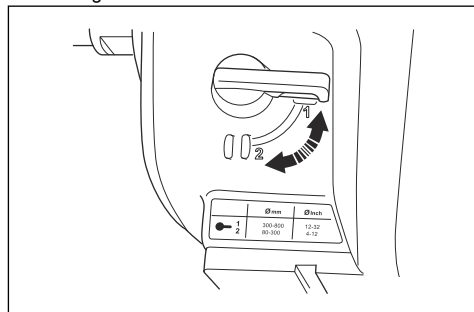
2. Open het watersysteem (B). Stel de waterdruk in om al het afvalmateriaal uit het boorgat te verwijderen.

Product starten



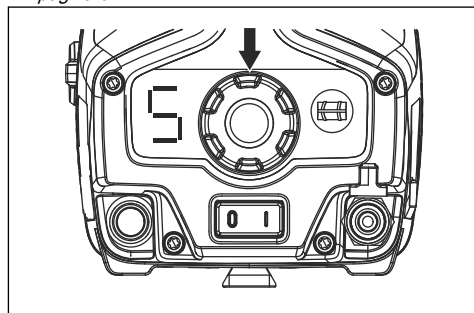
WAARSCHUWING: Zorg ervoor dat de boorbit vrij kan draaien. Dit begint te draaien wanneer de motor start.

1. Sluit het product aan op een geschikte krachtbron.
2. Sluit de krachtbron aan op een stopcontact.
3. Om de werksnelheid in te stellen, draait u aan de boorspil en beweegt u tegelijkertijd de versnellingschakelaar. Zet de versnellingschakelaar in de juiste stand voor de werking.

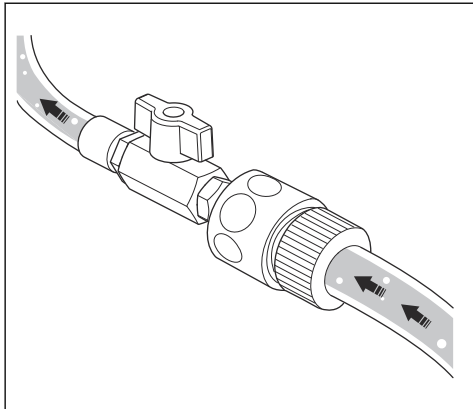


OPGELET: Beweeg de mechanische versnellingschakelaar niet als het product is ingeschakeld. Er bestaat risico op beschadiging van de tandwielkast.

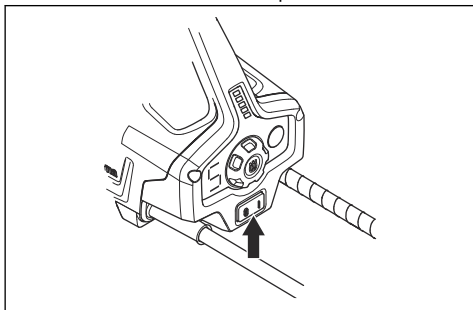
4. Draai aan de elektronische versnellingschakelaar om een geschikte snelheid voor de werkzaamheden te selecteren. Zie *Aanbevolen boorbitdiameters op pagina 67*.



5. Zorg ervoor dat het watersysteem openstaat.



6. Zet de AAN/UIT-schakelaar op 1.



Het product gebruiken



WAARSCHUWING: Als de PRCD wordt geactiveerd, verwijdert u de boorbit uit het gat voordat u op RESET drukt.



WAARSCHUWING: Er kunnen gevaarlijke ongelukken gebeuren indien de

betonkern in de boorbit blijft zitten wanneer u de boorbit uit het gat verwijdert.



OPGELET: Zorg ervoor dat geen voorwerpen in contact komen met de boorbit.



OPGELET: Gebruik niet meer kracht dan nodig is. Hierdoor wordt de werking alleen maar langzamer en raakt de motor overbelast.

1. Start de motor. Zie *Product starten op pagina 61*.
2. Laat het motortoerental oplopen naar het maximale toerental voordat de boorbit contact maakt met het oppervlak.
3. Druk de boorbit met gebruik van de toevoerhendel in het oppervlak.
4. Als u door wapeningsijzer boort, gebruik dan meer begindruk en een lagere versnelling dan wanneer er geen wapeningsijzer zou zijn.
5. Oefen om te beginnen een zeer geringe druk uit om de boorbit in de juiste positie te houden.
6. Zorg er tijdens bedrijf voor dat het water al het afvalmateriaal uit het boorgat verwijdert. Pas de waterdruk indien nodig aan.
7. Stop de motor. Zie *Product stoppen op pagina 63*.

Indicatielampje belasting

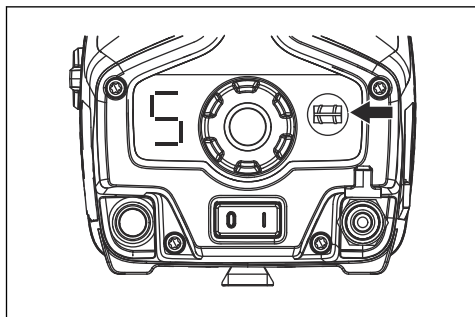


OPGELET: Zorg dat het product niet steeds opnieuw wordt overbelast, omdat het product hierdoor beschadigd raakt. De belastingsindicator geeft het uitgangsvermogen aan, wat niet altijd de beste aanbeveling voor het werk betekent.

Led-indicators	Oorzaak	Mogelijke procedure
Eén groene led.	Het product is verbonden met de krachtbron en is klaar voor gebruik.	Geen procedure vereist.
	Het uitgangsvermogen is minder dan 70% van het beschikbare vermogen tijdens bedrijf.	
Drie groene leds.	Het uitgangsvermogen ligt tussen 70% en 90% van het beschikbare vermogen tijdens bedrijf.	Geen procedure vereist.
Drie groene leds.	Het uitgangsvermogen is meer dan 90% van het beschikbare vermogen.	Geen procedure vereist.

Led-indicators	Oorzaak	Mogelijke procedure
Drie groene leds en één gele led.	Max. uitgangsvermogen.	Geen procedure vereist.
Drie groene leds, één gele led, één rode led.	Het risico bestaat dat het product oververhit raakt.	Verlaag de belasting of verlaag de temperatuur van de motor en de krachtbron.
Alle leds branden of knipperen.	Het product is oververhit en kan plotseling stoppen. ¹³ Het max. beschikbare uitgangsvermogen wordt automatisch verlaagd om oververhitting en automatisch stoppen van het product te voorkomen.	Verlaag de belasting of verlaag de temperatuur van de motor en de krachtbron.
		Verhoog de hoeveelheid water of gebruik kouder water om de temperatuur van de motor te verlagen.
		Vervang het luchtfilter of zet de krachtbron in een koelere omgevingstemperatuur om de temperatuur van de krachtbron te verlagen.

IJzer-knop



De knopfunctie "ijzer" verlaagt de bedrijfssnelheid om het snijden in harde materialen, zoals verstevigingsbalken, te vergemakkelijken.

De verminderde snelheid is ook geschikt om de boorbit gemakkelijker in het oppervlak van andere materialen te laten doordringen. Schakel voor optimale prestaties de knopfunctie "ijzer" uit wanneer de boorbit door het harde oppervlak is gedrongen en boor het gat met normale snelheid.

Wanneer de indicator voor de elektronische versnelling knippert, is de knopfunctie "ijzer" ingeschakeld.

Product stoppen

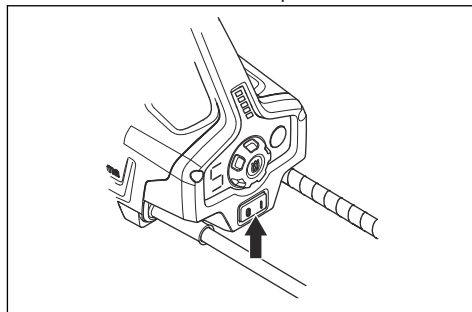


WAARSCHUWING: De boorbit blijft nog even draaien nadat de motor is gestopt. Stop de boorbit niet met uw handen. Er kan letsel optreden.

1. Laat het product 2–3 minuten onbelast werken. Het watersysteem verlaagt de temperatuur in de motor.

¹³ Als het product stopt vanwege oververhitting, blijven de leds knipperen totdat het product is afgekoeld en opnieuw kan worden gestart.

2. Zet de AAN/UIT-schakelaar op 0.



3. Wacht tot de boorbit volledig tot stilstand is gekomen.
4. Sluit de watertoevoer af.
5. Ontkoppel het product van de voeding.

De boorbit vervangen



WAARSCHUWING: Trek de stekker uit het stopcontact voordat u de boorbit vervangt.



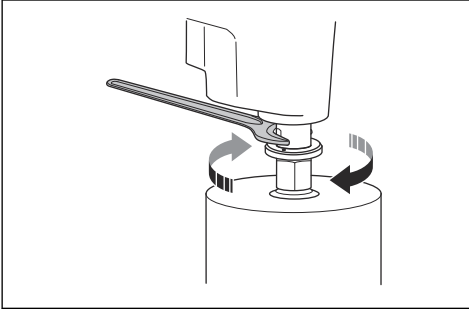
WAARSCHUWING: Draag veiligheidshandschoenen. Laat het product afkoelen voordat u de boorbit verwijdt. De boorbit en het aangrenzende gebied zijn zeer heet na gebruik.



WAARSCHUWING: Gebruik alleen diamantboorbits die zijn goedgekeurd voor

uw product. Neem voor meer informatie contact op met uw Husqvarna-dealer.

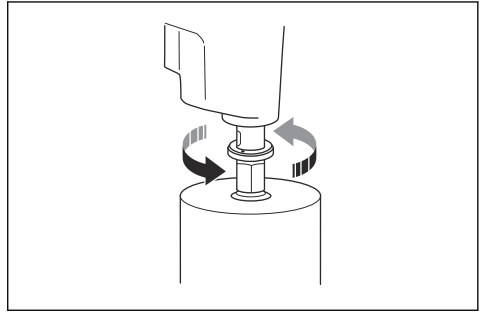
1. Zorg ervoor dat u een nieuwe boorbit, de meegeleverde sleutel en waterbestendig vet ter beschikking hebt.
2. Vergrendel de spilas met de sleutel.
3. Draai de boorbit rechtsom om deze te verwijderen.



OPGELET: Sla niet op het product om de boorbit te verwijderen. Er

bestaat risico op beschadiging van de tandwielkast en de boorstandaard.

4. Smeer de schroefdraad van de spilas in met waterbestendig vet.
5. Draai de boorbit linksom om deze te installeren. Draai de bit helemaal vast.



Onderhoud

Inleiding



WAARSCHUWING: Zorg dat u het hoofdstuk over veiligheid hebt gelezen en begrepen voordat u onderhoud aan het product gaat uitvoeren.



WAARSCHUWING: Koppel de voedingskabel los voordat u onderhoud uitvoert om letsel te voorkomen.

Onderhoudsschema

* = Algemeen onderhoud uit te voeren door de gebruiker. De instructies zijn niet opgenomen in deze gebruikershandleiding.

X = De instructies zijn opgenomen in deze gebruikershandleiding.

Onderhoud	Voor elk gebruik	Na elk gebruik	Elke 300 uur
Controleer of de moeren en schroeven goed zijn vastgedraaid.	*		
Controleer of de AAN/UIT-schakelaar goed werkt. Zie <i>De AAN/UIT-schakelaar controleren op pagina 59</i> .	X		
Reinig de buitenkant van het product.	X	X	
Zorg ervoor dat er geen vet of olie op de handgreep zit.	*	*	
Controleer het netsnoer en de aansluiting naar de voeding op beschadiging.	*	*	
Zorg ervoor dat de bewegende delen correct werken en vrij kunnen bewegen.	*		
Zorg ervoor dat de boorbit scherp en schoon is.	X		

Onderhoud	Voor elk gebruik	Na elk gebruik	Elke 300 uur
Vervang de tandwielkastolie.			X
Controleer de wateraansluiting op beschadiging en waterlekage.		X	

Product reinigen



OPGELET: Zorg ervoor dat er geen water in de motor of de tandwielkast terecht komt.



OPGELET: Gebruik geen stromend water om het product te reinigen.

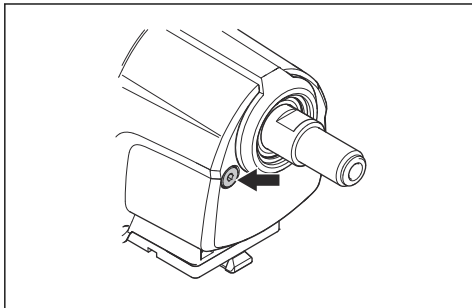
- Gebruik een droge of vochtige doek om het product te reinigen.
- Verwijder blokkades van alle luchtopeningen. Een geblokkeerde luchtinlaat leidt tot verminderde prestaties van het product en kan leiden tot oververhitting van de motor.
- Reinig en smeer de schroefdraad van de spilas.

Onderhoud van de diamantboorbit

- Zorg ervoor dat de segmenten van de diamantgereedschappen scherp zijn. Slijp botte diamantsegmenten met een SiC-slijpsteen.
- Zorg ervoor dat er geen trilling in de boorbit is. Als er trillingen in de boorbit zijn, kunnen de diamantsegmenten losraken.
- Zorg ervoor dat de diamantsegmenten in voldoende mate groter zijn dan de binnen- en buitendiameter van de boorbitbuis.
- Smeer de schroefdraad van de boorbit in met waterbestendig vet. Dit maakt het eenvoudiger om het gereedschap los te maken.
- Zorg ervoor dat de radiale uitloop bij de diamantsegmenten van de boorbit niet meer dan 1 mm bedraagt.

De olie in de tandwielkast verversen

1. Verwijder de olieaftapplug.



2. Laat de tandwielkastolie in een container lopen.



OPGELET: Dank de afgewerkte olie af via een geschikte inzamelingslocatie.

3. Laat indien nodig een erkend Husqvarna servicecentrum de tandwielkast reinigen.
4. Vul de tandwielkast met verse olie. Zie *Technische gegevens op pagina 67* voor de juiste hoeveelheid en het juiste type olie.
5. Reinig de olieaftapplug. De olieaftapplug heeft een magneet die metaaldeeltjes opvangt.
6. Monteer de olieaftapplug.

De wateraansluiting controleren



OPGELET: Als er water uit de ring van de wateraansluiting lekt, moeten de asafdichtingen onmiddellijk worden vervangen.

- Laat een erkend Husqvarna-servicecentrum de wateraansluiting repareren.

Transport en opslag

- Bewaar het product in een afgesloten ruimte om toegang door kinderen of onbevoegde personen te verhinderen.
- Bewaar het product in een droge en vorstvrije ruimte.
- Verwijder het boorbit voordat u het product vervoert of opslaat. Hiermee voorkomt u schade aan het product en de boorbits.
- Zet het product tijdens het vervoer veilig vast om schade en ongevallen te voorkomen.

Technische gegevens

Technische gegevens

Motor	
Elektromotor	HF hoge frequentie
Max. spilvermogen, kW	6
Gewicht, kg/lb	13,6/29,9
Tandwielkastolie	
Type	Q8 T 65 SAE 75W-90
Capaciteit, l/qts	1,0/1,06
Boorbit	
Max. aanbevolen diameter, mm/inch	600/24
Min. aanbevolen diameter, mm/inch	100/4
Schroefdraad	G 1 ¼"
Waterkoeling	
Min. en max. waterdruk, bar/PSI	0,5-8/7,2-116
Min. aanbevolen waterstroom bij een watertemperatuur van 15 °C, l/min	0,5
Wateraansluiting	G ¼"
Geluidsemisatie ¹⁴	
Geluidsvermogensniveau, gemeten dB(A)	112
Geluidsvermogensniveau, gemeten dB(A)	113
Geluidsdruk niveau bij het oor van de gebruiker, dB(A) ¹⁵	98
Trillingsniveau, a_{hv} ¹⁶	
Handgreep, m/s ²	1.0

Aanbevolen boorbitdiameters

Mechanische versnelling	Elektronische versnelling	Toerental, tpm	Boorbitdiameter, mm/inch
1	1	125	600/24
1	2	139	500/20

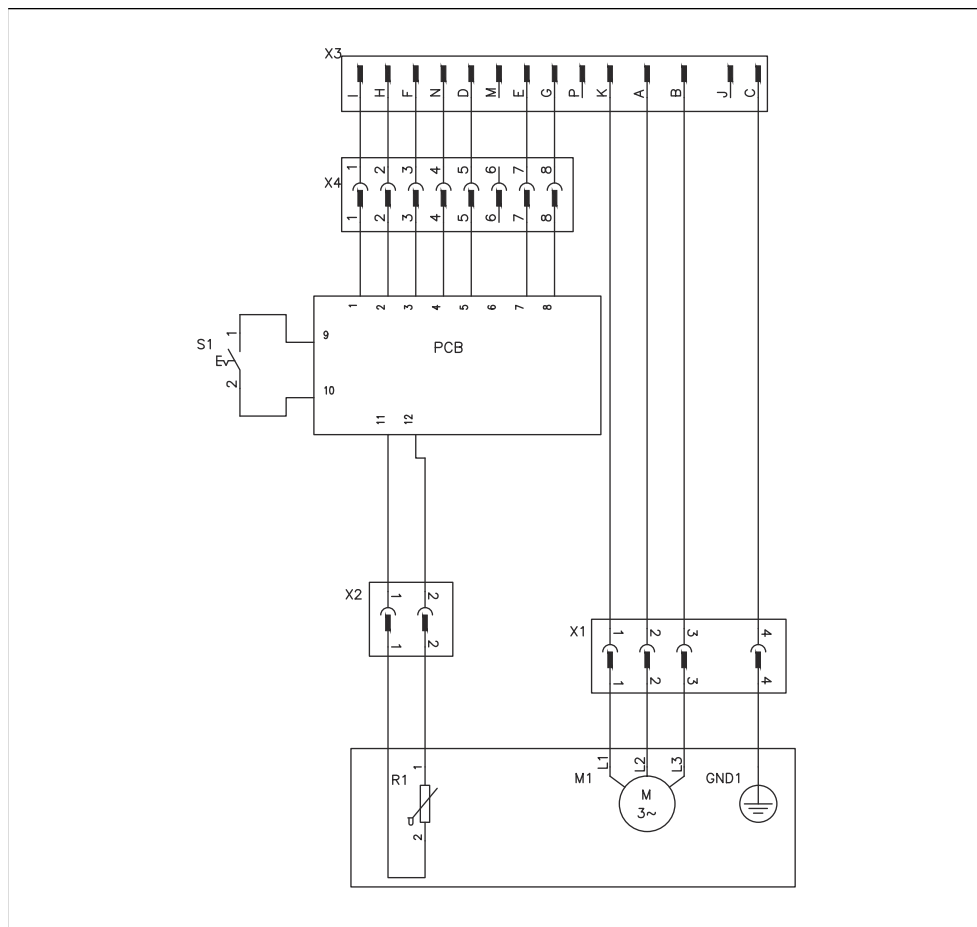
¹⁴ Geluidsemisatie naar de omgeving gemeten als geluidsvermogen (L_{WA}) volgens EN 12348.

¹⁵ Geluidsdruk niveau volgens EN 12348. De gerapporteerde gegevens voor het geluidsdruk niveau vertonen een typische statistische spreiding (standaardafwijking) van 1,0 dB (A).

¹⁶ Trillingsniveau volgens EN 12348. De gerapporteerde gegevens voor een trillingsniveau vertonen een typische statistische spreiding (standaardafwijking) van 1 m/s².

Mechanische versnelling	Elektronische versnelling	Toerental, tpm	Boorbitdiameter, mm/inch
1	3	156	450/18
1	4	175	400/16
1	5	196	350/14
1	6	220	300/12
1	7	247	250/10
1	8	278	225/9
1	9	310	200/8
2	1	270	250/10
2	2	299	225/9
2	3	336	200/8
2	4	377	176/7
2	5	423	150/6
2	6	475	125/5
2	7	534	100/4
2	8	599	90/3,5
2	9	675	80/3

Bedradingschema



Accessoires

Geschikte boorstandaards

Het product kan worden gebruikt met deze Husqvarna boorstandaards:

- DS500, aanbevolen voor boorbitdiameters tot max.400 mm.
- DS900, aanbevolen voor boorbitdiameters van 400 mm tot 600 mm.

Service

Goedgekeurd servicecentrum

Ga naar de website www.husqvarnacp.com om het dichtstbijzijnde erkende servicecentrum van Husqvarna Construction Products te vinden.

Verklaring van overeenstemming

EU-verklaring van overeenstemming

Wij, **Husqvarna AB**, SE-561 82 Huskvarna,
Zweden, tel: +46-36-146500, verklaren onder onze
alleenverantwoordelijkheid dat het product:

Beschrijving	Draagbare diamantkernboor
Merk	Husqvarna
Type/model	DM700
Identificatie	Serienummers vanaf 2022 en verder

volledig voldoet aan de volgende EU-richtlijnen en
-regelgeving:

Richtlijn/Verordening	Beschrijving
2006/42/EC	"betreffende machines"

en dat de volgende geharmoniseerde normen en/of
technische specificaties zijn toegepast:

EN ISO 12100:2010

EN 12348:2000+A1:2009

Partille, 2022-10-10



Edvard Gulis

Directeur R&D, Betonzagen en -boren

Husqvarna AB, Construction-divisie

Verantwoordelijk voor technische documentatie



FR

Cet appareil,
ses cordons,
et batterie
se recyclent

À DÉPOSER
EN MAGASIN



OU

À DÉPOSER
EN DÉCHÈTERIE



Points de collecte sur www.quefairedemesdechets.fr
Privilégiez la réparation ou le don de votre appareil !

Husqvarna®

www.husqvarnaconstruction.com

Original instructions
Originalanweisungen
Instructions d'origine
Originele instructies

1142110-20

Rev. 2



FR



2022-12-19