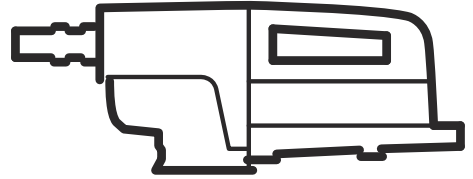




Husqvarna®



DM700

EN Operator's manual
ES-MX Manual del usuario
FR-CA Manuel d'utilisation

2-16
17-32
33-48

Contents

Introduction.....	2	Transportation and storage.....	13
Safety.....	4	Technical data.....	14
Assembly.....	8	Accessories.....	16
Operation.....	8	Service.....	16
Maintenance.....	12		

Introduction

Owner responsibility



WARNING: Processing of concrete and stone by methods such as cutting, grinding or drilling, especially during dry operation, generates dust that comes from the material being processed, which frequently contains silica. Silica is a basic component of sand, quartz, brick clay, granite and numerous other minerals and rocks. Exposure to excessive amount of such dust can cause:

Respiratory disease (affecting your ability to breathe), including chronic bronchitis, silicosis and pulmonary fibrosis from exposure to silica. These diseases may be fatal;

Skin irritation and rash.

Cancer according to NTP* and IARC* **/ National Toxicology Program, International Agency for Research on Cancer.

Take precautionary steps:

Avoid inhalation of and skin contact with dust, mist and fumes.

Wear and ensure that all bystanders wear appropriate respiratory protection such as dust masks designed to filter out microscopic particles. (See OSHA 29 CFR Part 1926.1153)

To minimize dust emissions, use water to bind the dust, when feasible.

It is the owner's/employer's responsibility that the operator has sufficient knowledge about how to use the product safely. Supervisors and operators must have read and understood the Operator's Manual. They must be aware of:

- The product's safety instructions.
- The product's range of applications and limitations.
- How the product is to be used and maintained.

Product description

This drill motor is an electric core drill that is used with an approved drill stand. The power source is a power pack.

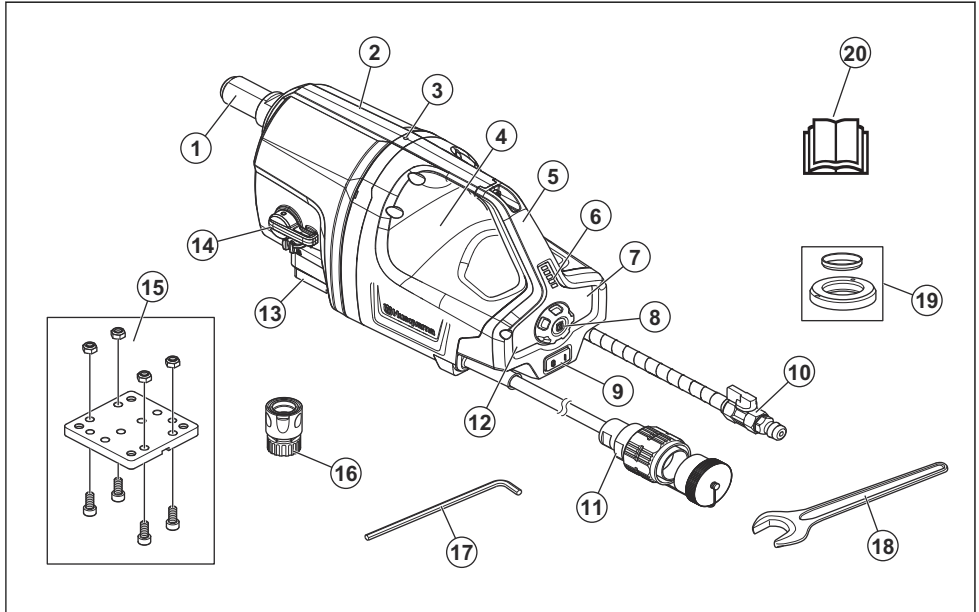
The diamond drill bit is a hollow drill that has diamond segments. Water goes through the ball valve, the hose and the diamond drill bit. The water flushes the drilled material out off the slot and decreases the temperature in the drill bit.

Intended use

The product is used to drill hard masonry, steel and other hard materials. The product is used installed on an approved drill stand. All other use is incorrect.

The product is used in industrial operations by operators with experience.

Product overview



1. Drill spindle
2. Gearbox
3. Leak indicator
4. Product body
5. Handle
6. Work load indicator
7. Iron button
8. Gear selector, electronic gears
9. ON/OFF switch
10. GARDENA® male coupling with water valve
11. Connection for power supply
12. Selected electronic gear
13. Quick mounting plate for Husqvarna drill stand
14. Gear selector, mechanical gears
15. Installation plate for Husqvarna drill stand
16. GARDENA® water connector
17. Hex key, 8 mm
18. Wrench
19. Friction ring
20. Operator's manual

Symbols on the product



WARNING! This product can be dangerous and cause serious injury or death to the operator or others. Be careful and use the product correctly.



Read the operator's manual carefully and make sure that you understand the instructions before you use this product.



Always use approved personal protective equipment. Refer to *Personal protective equipment* on page 7.



Environmental mark. The product or package of the product is not domestic waste. Recycle it at an approved disposal location for electrical and electronic equipment.

Note: Other symbols/decals on the product refer to special certification requirements for some markets.

Product liability

As referred to in the product liability laws, we are not liable for damages that our product causes if:

- the product is incorrectly repaired.
- the product is repaired with parts that are not from the manufacturer or not approved by the manufacturer.
- the product has an accessory that is not from the manufacturer or not approved by the manufacturer.

- the product is not repaired at an approved service center or by an approved authority.

Safety

Safety definitions

Warnings, cautions and notes are used to point out specially important parts of the manual.



WARNING: Used if there is a risk of injury or death for the operator or bystanders if the instructions in the manual are not obeyed.



CAUTION: Used if there is a risk of damage to the product, other materials or the adjacent area if the instructions in the manual are not obeyed.

Note: Used to give more information that is necessary in a given situation.

General power tool safety warnings



WARNING: Read all safety warnings, instructions, illustrations and specifications provided with this power tool. Failure to follow all instructions listed below may result in electric shock, fire and/or serious injury.

Note: Save all warnings and instructions for future reference. The term "power tool" in the warnings refers to your mains-operated (corded) power tool or battery-operated (cordless) power tool.

Work area safety

- **Keep work area clean and well lit.** Cluttered or dark areas invite accidents.
- **Do not operate power tools in explosive atmospheres, such as in the presence of flammable liquids, gases or dust.** Power tools create sparks which may ignite the dust or fumes.
- **Keep children and bystanders away while operating a power tool.** Distractions can cause you to lose control.

Electrical safety

- **Power tool plugs must match the outlet. Never modify the plug in any way. Do not use any adapter plugs with earthed (grounded) power tools.** Unmodified plugs and matching outlets will reduce risk of electric shock.
- **Avoid body contact with earthed or grounded surfaces, such as pipes, radiators, ranges and refrigerators.** There is an increased risk of electric shock if your body is earthed or grounded.

- **Do not expose power tools to rain or wet conditions.** Water entering a power tool will increase the risk of electric shock.
- **Do not abuse the cord. Never use the cord for carrying, pulling or unplugging the power tool. Keep cord away from heat, oil, sharp edges or moving parts.** Damaged or entangled cords increase the risk of electric shock.
- **When operating a power tool outdoors, use an extension cord suitable for outdoor use.** Use of a cord suitable for outdoor use reduces the risk of electric shock.
- **If operating a power tool in a damp location is unavoidable, use a residual current device (RCD) protected supply.** Use of a RCD reduces the risk of electric shock.

Personal safety

- **Stay alert, watch what you are doing and use common sense when operating a power tool. Do not use a power tool while you are tired or under the influence of drugs, alcohol or medication.** A moment of inattention while operating power tools may result in serious personal injury.
- **Use personal protective equipment. Always wear eye protection.** Protective equipment such as dust mask, non-skid safety shoes, hard hat or hearing protection used for appropriate conditions will reduce personal injuries.
- **Prevent unintentional starting. Ensure the switch is in the off-position before connecting to power source and/or battery pack, picking up or carrying the tool.** Carrying power tools with your finger on the switch or energising power tools that have the switch on invites accidents.
- **Remove any adjusting key or wrench before turning the power tool on.** A wrench or a key left attached to a rotating part of the power tool may result in personal injury.
- **Do not overreach. Keep proper footing and balance at all times.** This enables better control of the power tool in unexpected situations.
- **Dress properly. Do not wear loose clothing or jewellery. Keep your hair and clothing away from moving parts.** Loose clothes, jewellery or long hair can be caught in moving parts.
- **If devices are provided for the connection of dust extraction and collection facilities, ensure these are connected and properly used.** Use of dust collection can reduce dust-related hazards.
- **Do not let familiarity gained from frequent use of tools allow you to become complacent and ignore tool safety principles.** A careless action can cause severe injury within a fraction of a second.

Power tool use and care

- **Do not force the power tool. Use the correct power tool for your application.** The correct power tool will do the job better and safer at the rate for which it was designed.
- **Do not use the power tool if the switch does not turn it on and off.** Any power tool that cannot be controlled with the switch is dangerous and must be repaired.
- **Disconnect the plug from the power source and/or remove the battery pack, if detachable, from the power tool before making any adjustments, changing accessories, or storing power tools.** Such preventive safety measures reduce the risk of starting the power tool accidentally.
- **Store idle power tools out of the reach of children and do not allow persons unfamiliar with the power tool or these instructions to operate the power tool.** Power tools are dangerous in the hands of untrained users.
- **Maintain power tools and accessories. Check for misalignment or binding of moving parts, breakage of parts and any other condition that may affect the power tool's operation. If damaged, have the power tool repaired before use.** Many accidents are caused by poorly maintained power tools.
- **Keep cutting tools sharp and clean.** Properly maintained cutting tools with sharp cutting edges are less likely to bind and are easier to control.
- **Use the power tool, accessories and tool bits etc. in accordance with these instructions, taking into account the working conditions and the work to be performed.** Use of the power tool for operations different from those intended could result in a hazardous situation.
- **Keep handles and grasping surfaces dry, clean and free from oil and grease.** Slippery handles and grasping surfaces do not allow for safe handling and control of the tool in unexpected situations.

Service

- **Have your power tool serviced by a qualified repair person using only identical replacement parts.** This will ensure that the safety of the power tool is maintained.

Diamond drill safety warnings

- **When performing drilling that requires the use of water, route the water away from the operator's work area or use a liquid collection device.** Such precautionary measures keep the operator's work area dry and reduce the risk of electrical shock.
- **Operate power tool by insulated grasping surfaces, when performing an operation where the cutting accessory may contact hidden wiring or its own cord.** Cutting accessory contacting a "live" wire may make exposed metal parts of the power tool "live" and could give the operator an electric shock.

- **Wear hearing protection when diamond drilling.** Exposure to noise can cause hearing loss.
- **When the bit is jammed, stop applying downward pressure and turn off the tool.** Investigate and take corrective actions to eliminate the cause of the bit jamming.
- **When restarting a diamond drill in the workpiece, check that the bit rotates freely before starting.** If the bit is jammed, it may not start, may overload the tool, or may cause the diamond drill to release from the workpiece.
- **When securing the drill stand with ancors and fasteners to the workpiece, ensure that the anchoring used is capable of holding and restraining the machine during use.** If the workpiece is weak or porous, the anchor may pull out causing the drill stand to release from the workpiece.
- **When the drilling through walls or ceilings, ensure to protect persons and the work area on the other side.** The bit may extend through the hole or the core may fall out on the other side.
- **When drilling overhead, always use the liquid collection device specified in the instructions. Do not allow water to flow into the tool.** Water entering the power tool will increase the risk of electric shock.

General safety instructions



WARNING: Read the warning instructions that follow before you use the product.

- This product is a dangerous tool if you are not careful or if you use the product incorrectly. This product can cause serious injury or death to the operator or others. Before you use the product, you must read and understand the contents of this operator's manual.
- Save all warnings and instructions.
- Comply with all applicable laws and regulations.
- The operator and the employer of the operator must know and prevent the risks during operation of the product.
- Do not let a person operate the product unless they read and understand the contents of the operator's manual.
- Do not operate the product unless you receive training before use. Make sure that all operators receive training.
- Do not let a child operate the product.
- Only let approved persons operate the product.
- The operator is responsible for accidents that occur to other persons or their property.
- Do not use the product if you are tired, ill, or under the influence of alcohol, drugs or medicine.
- Always be careful and use your common sense.
- This product produces an electromagnetic field during operation. This field can under some circumstances interfere with active or passive

medical implants. To decrease the risk of serious injury or death, we recommend persons with medical implants to speak to their physician and the medical implant manufacturer before operating this product.

- Keep the product clean. Make sure that you can clearly read signs and decals.
- Do not use the product if it is defective.
- Do not do modifications to this product.
- Do not operate the product if it is possible that other persons have done modifications to the product.

Always use common sense



WARNING: Under no circumstances should you modify the original design of the machine without approval from the manufacturer. Always use original spare parts. Unauthorized modifications and/or accessories may lead to serious injury or death to the user or others.



WARNING: The use of products such as cutters, grinders, drills, that sand or form material can generate dust and vapours which may contain hazardous chemicals. Check the nature of the material you intend to process and use an appropriate breathing mask.

It is not possible to cover every conceivable situation you can face when using a drilling machine. Always exercise care and use your common sense. Avoid all situations which you consider to be beyond your capability. If you still feel uncertain about operating procedures after reading these instructions, you should consult an expert before continuing. Do not hesitate to contact your dealer or us if you have any more questions about the use of the drilling machine. We will willingly be of service and provide you with advice as well as help you to use your drilling machine both efficiently and safely.

Do not hesitate to contact your dealer if you have any more questions about the use of the machine. We will willingly be of service and provide you with advice as well as help you to use your machine both efficiently and safely.

Let your Husqvarna dealer check the drilling machine regularly and make essential adjustments and repairs.

Husqvarna Construction Products has a policy of continuous product development. Husqvarna reserves the right to modify the design and appearance of products without prior notice and without further obligation introduce design modifications.

All information and all data in the operator's manual were applicable at the time the operator's manual was sent to print.

Safety instructions for operation



WARNING: Read the warning instructions that follow before you use the product.

- Do not operate the product unless you can get aid if an accident occurs.
- Do not use the product in bad weather, such as fog, rain, strong winds, intense cold and equivalent conditions. Dangerous conditions, such as slippery surfaces, can occur because of bad weather.
- Look out for persons, objects and situations that can prevent safe operation of the product.
- When the drill points up during operation, always use an applicable container to collect the water.
- Always attach the product to an applicable drill stand before operation. Refer to *To attach the product to a drill stand on page 8*.
- Make sure that you always can stop the motor quickly in an emergency.
- Make sure that there are no pipes or electrical cables in the area where the hole will be made.
- If the product does not operate correctly, stop the motor.
- Make sure that you are in a safe and stable position during operation.
- Stay at a distance from the drill bit when the motor is on.
- Do not go away from the product when the motor is on.
- Always disconnect the power cord before you go away from the product.
- Keep all parts in good condition and make sure that all fixtures are correctly tightened.
- If vibrations occur in the product or the noise level from the product is unusually high, stop the product immediately. Examine the product for damages. Repair damages or let an approved service agent do the repair.
- Always use approved accessories. Speak to your dealer for more information.

Extension cables

- Use only approved extension cables with sufficient length.
- The rated value on the extension cable must be the same or higher than given on the rating plate of the product.
- Use grounded extension cables.
- When you operate the product outdoors, use an extension cable that is applicable for outdoor operation. This decreases the risk of electrical shock.
- Keep the connection to the extension cable dry and off the ground.

- Keep the extension cable away from heat, oil, sharp edges or moving parts. A damaged cable increases the risk of electrical shock.
- Make sure that the extension cable is in good condition and not damaged.
- Do not use the extension cable while it is wound up. This can cause the extension cable to become too hot.
- Make sure that the extension cable is behind you and the product when you use the product. This prevents damage to the extension cable.

Personal protective equipment



WARNING: Read the warning instructions that follow before you use the product.

- Always use approved personal protective equipment when you operate the product. Personal protective equipment cannot fully prevent injury but it decreases the degree of injury if an accident does occur. Let your dealer help you select the correct personal protective equipment.
- Regularly do a check of the condition of the personal protective equipment.
- Use an approved protective helmet.
- Use approved hearing protection.
- Use approved respiratory protection.
- Use approved eye protection with side protection.
- Use protective gloves.
- Use boots with steel toe-cap and non-slip sole.
- Use approved work clothing or equivalent close-fitting clothing that has long sleeves and long legs.

Fire extinguisher

- Keep a fire extinguisher near during operation.
- Use a powder fire extinguisher of "ABE" class or a carbon dioxide fire extinguisher of "BE" type.

Safety devices on the product

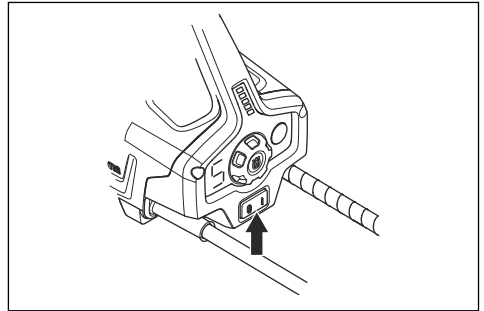


WARNING: Read the warning instructions that follow before you use the product.

- Do not use a product with defective safety devices.
- Do a check of the safety devices regularly. If the safety devices are defective, speak to your Husqvarna service agent.

ON/OFF switch

The ON/OFF switch is used to start and stop the product.



To do a check of the ON/OFF switch

1. Connect the product to the power supply.
2. Set the ON/OFF switch to "1" to start the product.
3. Set the ON/OFF switch to "0" and make sure that the product stops.

Friction clutch

The friction clutch is integrated in the gearbox of the product. It prevents damage to the product if the drill bit stops during operation. If the load is too high, the friction clutch is released and stops the drill spindle but keeps the motor on for some seconds. The friction clutch engages again if the load is decreased and the operation can continue. If the drill bit is caught in the material and fully stops, the friction clutch stops the motor immediately.



CAUTION: Make sure that the release time of the clutch is not more than 3-4 seconds, because if not wear and heat will increase quickly.

Safety instructions for maintenance



WARNING: Read the warning instructions that follow before you use the product.

- Stop the product and disconnect the power supply before you do the maintenance.
- Use personal protective equipment.
- Keep all parts in good condition and make sure that all fixtures are correctly tightened.
- Do the safety checks, maintenance and the servicing as given in this manual. All other maintenance work must be done by an approved servicing dealer.
- If it is necessary to replace the power cord or electrical connection, this must be done by an approved servicing dealer.

- Do the maintenance to make sure that the product operates correctly. Refer to *Maintenance schedule on page 12*.
- Do not use a product that is defective.

Assembly

Introduction



WARNING: Read and understand the safety chapter before you assemble the product.



WARNING: To prevent injury, disconnect the power cord and remove the drill bit before assembly.

To attach the product to a drill stand

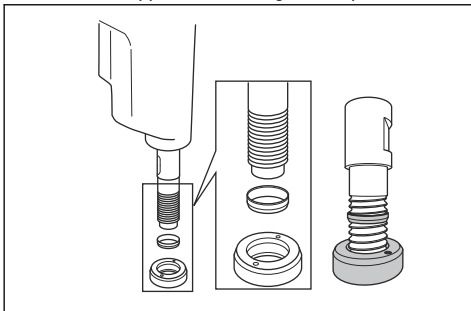


CAUTION: Read the operator's manual for the drill stand carefully.

- To attach the product to a drill stand, refer to the manual for the drill stand.
- Use only with approved Husqvarna drill stands. Refer to *Applicable drill stands on page 16*.

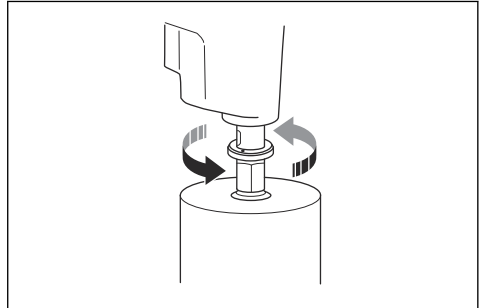
To install a drill bit

1. Install the supplied friction ring to the spindle shaft.



Note: The friction ring prevents damage to the spindle shaft and the gearbox during removal of the drill bit.

2. Turn the drill bit counterclockwise to install it. Tighten fully.



Operation

To do before you operate the product

1. Read the operator's manual carefully and make sure that you understand the instructions.
2. Read the operator's manual for the drill stand carefully and make sure that you understand the instructions.
3. Use personal protective equipment. Refer to *Personal protective equipment on page 7*.
4. Do the daily maintenance. Refer to *Maintenance schedule on page 12*.
5. Make sure that only approved persons are in the work area.
6. Make sure that the product is assembled correctly and not damaged. The drill bit and the drill stand must be attached correctly.
7. Make sure that the water system is not damaged and that it is connected to the product.

To connect and open the water supply



CAUTION: Make sure that the maximum water pressure is not too high, refer to #.

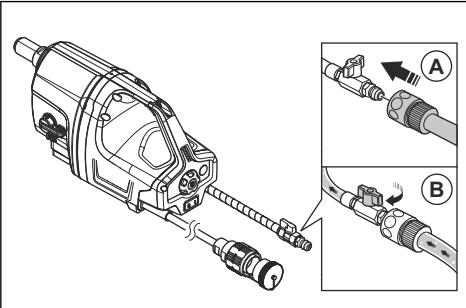


CAUTION: Use only clean water to prevent that dirt causes a blockage in the water system.



CAUTION: Use only an approved water supply coupling. Speak to your dealer for more information.

1. Connect the ball valve to the water supply (A).



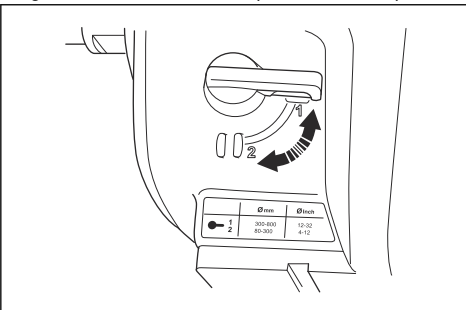
2. Open the water system (B). Set the water pressure to remove all waste material from the drill hole.

To start the product



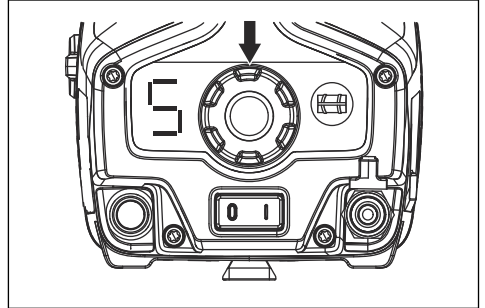
WARNING: Make sure that the drill bit can rotate freely. It starts to rotate when the motor starts.

1. Connect the product to an applicable power pack.
2. Connect the power pack to a mains socket.
3. To set the operation speed, turn the drill spindle and at the same time move the gear selector. Set the gear selector in the correct position for the operation.

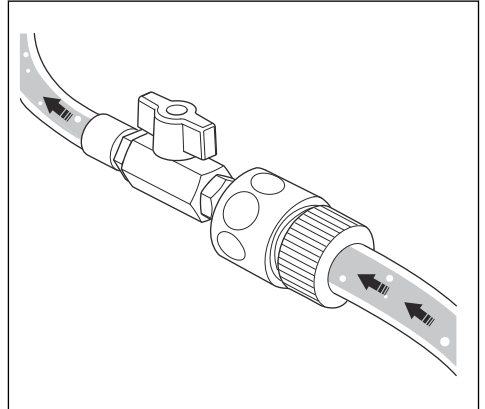


CAUTION: Do not move the mechanical gear selector when the product is on. There is a risk of damage to the gearbox.

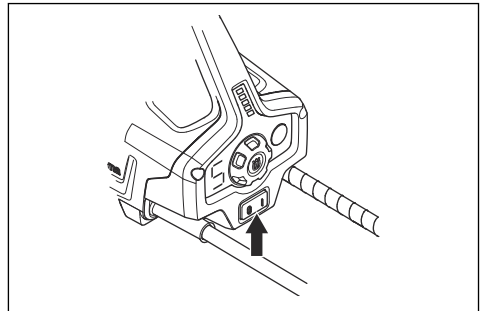
4. Turn the electronic gear selector to select an applicable speed for the operation. Refer to *Recommended drill bit diameters on page 14*.



5. Make sure that the water system is open.



6. Set the ON/OFF switch to "1".



To operate the product



WARNING: If the PRCD engages, remove the drill bit from the hole before you push "RESET".



WARNING: Dangerous accidents can occur if the concrete core stays in the drill bit when you remove the drill bit from the hole.



CAUTION: Make sure that no objects hit the drill bit.



CAUTION: Do not use more force than necessary. This only makes the operation slow and causes overload to the motor.

1. Start the motor. Refer to *To start the product on page 9*.

2. Let the motor speed increase to the maximum speed before the drill bit touches the surface.
3. Push the drill bit into the surface with the feed lever.
4. If you drill through iron reinforcements, use more initial pressure and a lower gear than if there were no iron reinforcements.
5. Use very small pressure initially to keep the drill bit in correct position.
6. During operation, make sure that the water removes all waste material from the drill hole. Adjust the water pressure if it is necessary.
7. Stop the motor. Refer to *To stop the product on page 11*.

Load indicator

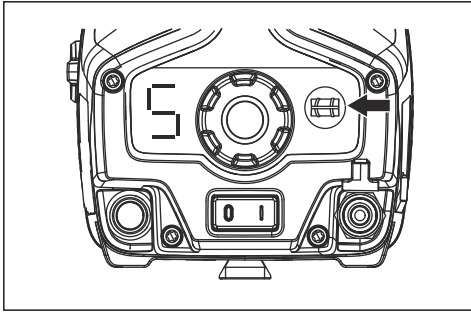


CAUTION: Do not cause overload to the product again and again as this damages the product. The load indicator shows the power output which does not always mean the best recommendation for the operation.

LED indicators	Cause	Possible procedure
1 green LED.	The product is connected to the power pack and can be operated.	No procedure is necessary.
	Power output is less than 70% of available output during operation.	
2 green LEDs.	Power output is between 70% and 90% of available output during operation.	No procedure is necessary.
3 green LEDs.	Power output is more than 90% of available output.	No procedure is necessary.
3 green LEDs and 1 yellow LED.	Max. power output.	No procedure is necessary.
3 green LEDs, 1 yellow LED, 1 red LED.	There is a risk that the product becomes too hot.	Decrease the load or decrease the temperature of the motor and the power pack.
All LEDs are on or flashes.	The product is too hot and can suddenly stop. ¹ The max. available output is automatically decreased to prevent overheating and automatic stop of the product.	Decrease the load or decrease the temperature of the motor and the power pack.
		Increase the quantity of water or use colder water to decrease the temperature of the motor.
		To decrease the temperature of the power pack, replace the air filter or put the power pack in colder ambient temperature.

¹ If the product stops because of overheating, the LEDs continue to flash until the product is cool and can be started again.

Iron button



The iron button function decreases the operation speed to make it easier to cut in hard materials, for example reinforcement bars.

The decreased speed can also be used to make it easier for the drill bit to go into the surface of other materials. For best performance, disengage the iron button function when the drill bit is through the surface and drill the hole at regular speed.

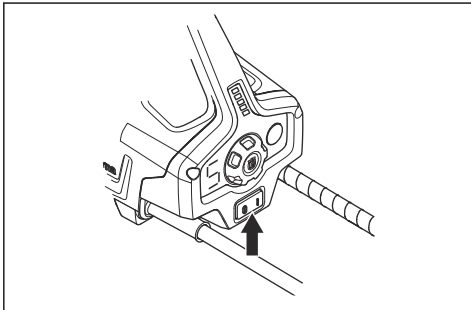
When the indicator for the electronic gear flashes, the iron button function is engaged.

To stop the product



WARNING: The drill bit continues to rotate for some time after the motor stops. Do not stop the drill bit with your hands. Injuries can occur.

1. Let the product operate without work load for 2–3 minutes. The water system decreases the temperature in the motor.
2. Set the ON/OFF switch to "0".



3. Wait until the drill bit has fully stopped.
4. Close the water supply.
5. Disconnect the product from the power supply.

To replace the drill bit



WARNING: Pull out the plug from the mains socket before you replace the drill bit.

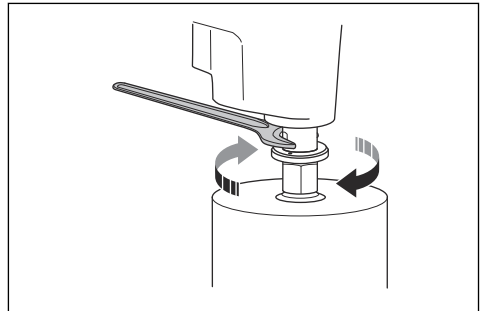


WARNING: Use protective gloves. Let the product become cool before you remove the drill bit. The drill bit and the adjacent area are very hot after operation.



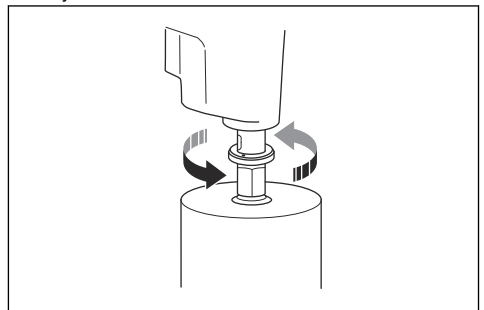
WARNING: Only use diamond drill bits that are approved for your product. Speak to your Husqvarna dealer for more information.

1. Make sure that you have got a new drill bit, the supplied wrench and water resistant grease.
2. Lock the spindle axle with the wrench.
3. Turn the drill bit clockwise to remove it.



CAUTION: Do not hit the product to remove the drill bit. There is a risk of damage to the gearbox and the drill stand.

4. Lubricate the spindle shaft thread with water resistant grease.
5. Turn the drill bit counterclockwise to install it. Tighten fully.



Maintenance

Introduction



WARNING: Read and understand the safety chapter before you do maintenance on the product.



WARNING: To prevent injury, disconnect the power cord before you do maintenance.

Maintenance schedule

* = General maintenance done by the operator. The instructions are not given in this operator's manual.

X = The instructions are given in this operator's manual.

Maintenance	Before each use	After each use	Each 300 h
Make sure that the nuts and screws are tight.	*		
Make sure that the ON/OFF switch operates correctly. Refer to <i>To do a check of the ON/OFF switch on page 7.</i>	X		
Clean the external surfaces of the product.	X	X	
Make sure that there is no grease or oil on the handle.	*	*	
Examine the power cord and the connection to the power supply for damage.	*	*	
Make sure that the moving parts operate correctly and can move freely.	*		
Make sure that the drill bit is sharp and clean.	X		
Replace the gearbox oil.			X
Examine the water connection for damage and water leakage.		X	

To clean the product



CAUTION: Make sure that no water goes into the motor or the gearbox.



CAUTION: Do not use running water to clean the product.

- Use a dry or moist cloth to clean the product.
- Remove blockage from all air openings. A blocked air intake decreases the performance of the product and can cause the motor to become too hot.
- Clean and lubricate the spindle shaft thread.

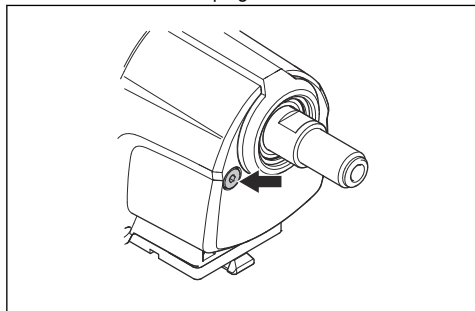
To do maintenance of the diamond drill bit

- Make sure that the diamond tools segments are sharp. Sharpen blunt diamond segments with a SiC grind stone.

- Make sure that there is no vibration in the drill bit. If there is vibration in the drill bit, the diamond segments can come loose.
- Make sure that the diamond segments are sufficiently larger than the inner and outer diameter of the drill bit tube.
- Lubricate the drill bit thread with water resistant grease. This makes it easy to loosen the tool.
- Make sure that the radial run out at the diamond segments of the drill bit is not more than 1 mm.

To replace the oil in the gearbox

1. Remove the oil drain plug.



2. Let the gearbox oil run out into a container.



CAUTION: Discard used oil at an applicable disposal location.

3. If it is necessary, let an approved Husqvarna service center clean the gearbox.
4. Fill with new gearbox oil. Refer to # for correct quantity and oil type.
5. Clean the oil drain plug. The oil drain plug has a magnet that catches metal particles.
6. Install the oil drain plug.

To examine the water connection



CAUTION: If there is a leakage of water from the water connection ring, the shaft seals must be replaced immediately.

- Let an approved Husqvarna service center repair the water connection.

Transportation and storage

- Keep the product in a locked area to prevent access for children or persons that are not approved.
- Keep the product in a dry and frost free area.
- Remove the drill bit before transportation or storage of the product. This is to prevent damage to the product and the drill bits.
- Safety the product during transportation to prevent damage and accidents.

Technical data

Technical data

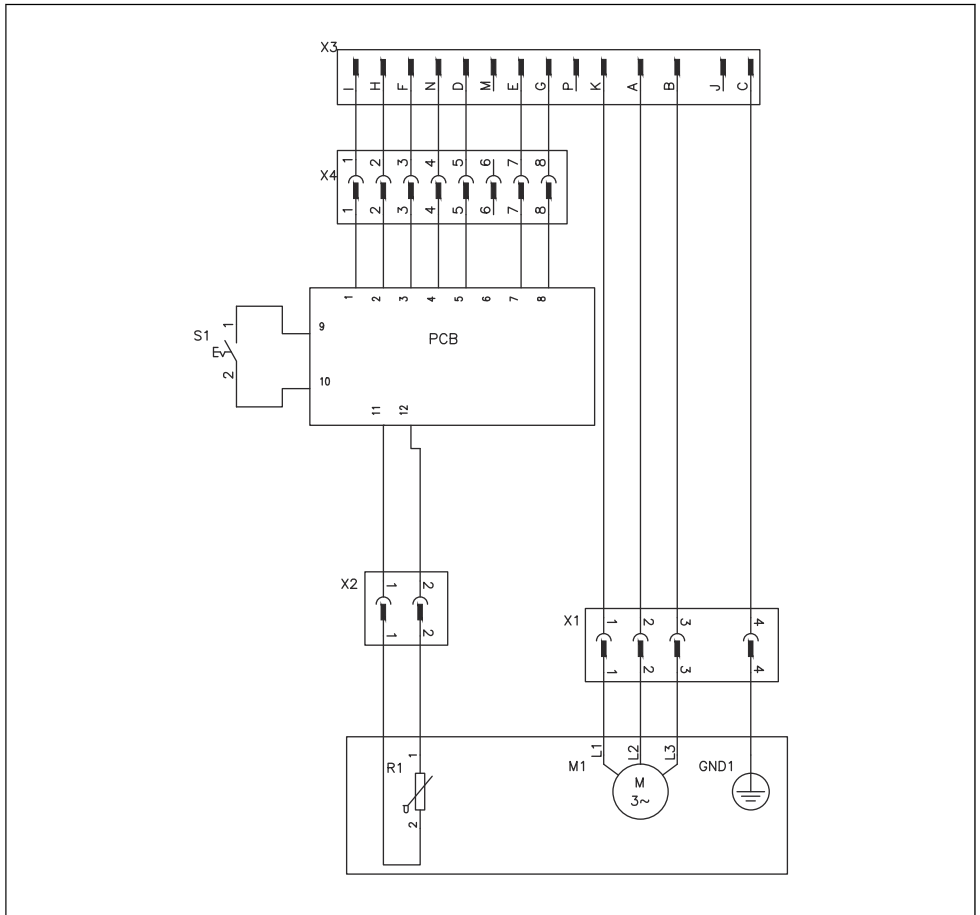
Motor	
Electrical motor	HF High Frequency
Max. spindle output, kW	6
Weight, kg/lb	13.6/29.9
Gearbox oil	
Type	Q8 T 65 SAE 75W-90
Capacity, l/qts	1.0/1.06
Drill bit	
Max. recommended diameter, mm/inch	600/24
Min. recommended diameter, mm/inch	100/4
Spindle thread	G 1 ¼"
Water cooling	
Min. and max. water pressure, bar/PSI	0.5–8/7.2–116
Min. recommended water flow at water temperature 15°C, l/min	0.5
Water coupling	G ¼"

Recommended drill bit diameters

Mechanical gear	Electronic gear	Speed, rpm	Drill bit diameter, mm/in.
1	1	125	600/24
1	2	139	500/20
1	3	156	450/18
1	4	175	400/16
1	5	196	350/14
1	6	220	300/12
1	7	247	250/10
1	8	278	225/9
1	9	310	200/8
2	1	270	250/10
2	2	299	225/9

Mechanical gear	Electronic gear	Speed, rpm	Drill bit diameter, mm/in.
2	3	336	200/8
2	4	377	176/7
2	5	423	150/6
2	6	475	125/5
2	7	534	100/4
2	8	599	90/3.5
2	9	675	80/3

Wiring diagram



Accessories

Applicable drill stands

The product is applicable with these Husqvarna drill stands:

- DS500, recommended for drill bit diameters of maximum 400 mm.
- DS900, recommended for drill bit diameters from 400 mm to 600 mm.

Service

Approved service center

To find your nearest Husqvarna Construction Products approved service center, go to the web site www.husqvarnacp.com.

Contenido

Introducción.....	17	Transporte y almacenamiento.....	29
Seguridad.....	19	Datos técnicos.....	30
Montaje.....	23	Accesorios.....	32
Funcionamiento.....	24	Servicio.....	32
Mantenimiento.....	27		

Introducción

Responsabilidad del propietario



ADVERTENCIA: El procesamiento de hormigón y piedra mediante métodos como corte, amolado o perforación, especialmente en operaciones en seco, genera polvo que proviene del material procesado y a menudo contiene sílice. La sílice es un componente básico de la arena, el cuarzo, la arcilla de los ladrillos, el granito y otros numerosos minerales y rocas. La exposición a una cantidad excesiva de ese polvo puede causar:

Producto de la exposición a la sílice se pueden ocasionar enfermedades respiratorias (que afectan la capacidad de respirar) como la bronquitis crónica, la silicosis y la fibrosis pulmonar. Estas enfermedades pueden ser mortales.

Irritación cutánea y sarpullido.

Cáncer, según el NTP* y la IARC* */National Toxicology Program (Programa Nacional de Toxicología) y Centro Internacional de Investigaciones sobre el Cáncer.

Tome medidas preventivas:

Evite inhalar y que su piel entre en contacto con el polvo, el vaho y los gases.

Utilice artículos apropiados para la protección respiratoria como máscaras contra polvo diseñadas para filtrar partículas microscópicas, y asegúrese de que todas las personas que se encuentren cerca también lo hagan. (Consulte la normativa OSHA 29 CFR Parte 1926.1153)

Para reducir al mínimo las emisiones de polvo, utilice agua para aglomerar el polvo cuando sea posible.

Es responsabilidad del propietario o empleador que el usuario tenga los conocimientos necesarios sobre cómo utilizar el producto de forma segura. Los supervisores y usuarios deben haber leído y comprendido el manual de usuario. Deben tener conocimiento de lo siguiente:

- Las instrucciones de seguridad del producto.
- La gama de aplicaciones y limitaciones del producto.
- Cómo el producto se va a utilizar y mantener.

Descripción del producto

Este motor de perforadora es un taladro de perforación de cilindros eléctrico que se utiliza con un soporte de taladro aprobado. La fuente de alimentación es una unidad de alimentación.

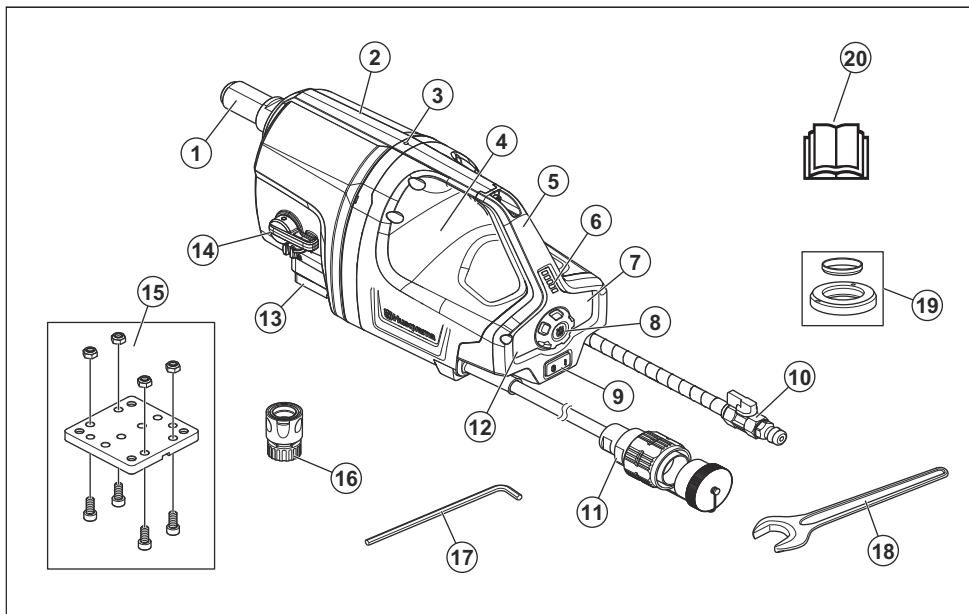
La broca de diamante es un taladro hueco que tiene segmentos de diamante. El agua pasa por la válvula de bola, la manguera y la broca de diamante. El agua retira el material taladrado de la ranura y disminuye la temperatura de la broca.

Uso previsto

El producto se utiliza para taladrar mampostería dura, acero y otros materiales duros. El producto se utiliza instalado en un soporte de taladro aprobado. No se debe usar para ningún otro propósito.

El producto lo deben utilizar operadores experimentados en tareas industriales.

Descripción general del producto



1. Eje de perforación
2. Caja de cambios
3. Indicador de fugas
4. Carcasa del producto
5. Manilla
6. Indicador de carga de trabajo
7. Botón de hierro
8. Selector de marchas, marchas electrónicas
9. Interruptor encender/apagar
10. Acoplamiento macho GARDENA® con válvula de agua
11. Conexión de la fuente de alimentación
12. Marcha electrónica seleccionada
13. Placa de montaje rápida para el soporte de taladro Husqvarna
14. Selector de marchas, marchas mecánicas
15. Placa de montaje para el soporte de taladro Husqvarna
16. Conector de agua GARDENA®
17. Llave hexagonal, 8 mm
18. Llave
19. Anillo de fricción
20. Manual del usuario

Símbolos en la máquina



ADVERTENCIA: Este producto puede ser peligroso y provocar daños graves o fatales al operador o a otras personas. Tenga cuidado y utilice el producto correctamente.



Lea atentamente el manual de instrucciones y asegúrese de que entiende las instrucciones antes de usar este producto.



Siempre use equipo de protección personal aprobado. Consulte *Equipo de protección personal en la página 22*.



Marca medioambiental. El producto o paquete del producto no es residuo doméstico. Recíclelo en un sitio de reciclaje aprobado para equipos eléctricos y electrónicos.

Tenga en cuenta: Otros símbolos o etiquetas en el producto hacen referencia a requisitos de certificación especiales para algunos mercados.

Responsabilidad del fabricante

Como se menciona en las leyes de responsabilidad del fabricante, no nos hacemos responsables de los daños que cause nuestro producto si:

- el producto se repara incorrectamente

- el producto se repara con piezas que no son del fabricante o que este no autoriza
- el producto tiene un accesorio que no es del fabricante o que este no autoriza
- el producto no se repara en un centro de servicio autorizado o por una autoridad aprobada.

Seguridad

Definiciones de seguridad

Las advertencias, precauciones y notas se utilizan para señalar las piezas particularmente importantes del manual.



ADVERTENCIA: Se utilizan para señalar el riesgo de lesiones graves o mortales para el operador o para aquellos que se encuentren cerca si no se siguen las instrucciones del manual.



AVISO: Se utilizan para señalar el riesgo de dañar la máquina, otros materiales o el área adyacente si no se siguen las instrucciones del manual.

Tenga en cuenta: Se utilizan para entregar más información necesaria en situaciones particulares.

Advertencias de seguridad generales de la herramienta eléctrica



ADVERTENCIA: Lea todas las advertencias de seguridad, las instrucciones, las ilustraciones y las especificaciones que se suministran con esta herramienta eléctrica. En caso de no seguir todas las instrucciones que se entregan a continuación, se pueden producir sacudidas eléctricas, incendios o daños graves.

Tenga en cuenta: Guarde todas las advertencias e instrucciones para futuras referencias. El término "herramienta eléctrica" que se indica en las advertencias hace referencia a la herramienta eléctrica (con cable) operada con corriente o a la herramienta eléctrica operada con baterías (inalámbrica).

Seguridad en el área de trabajo

- **Mantenga el área de trabajo limpia y bien iluminada.** Las áreas desordenadas u oscuras pueden generar accidentes.
- **No opere herramientas eléctricas en atmósferas explosivas, como ante presencia de gases, polvo o líquidos inflamables.** Las herramientas eléctricas generan chispas que pueden encender el polvo o humos.

- **Mantenga alejados a niños y transeúntes mientras opera una herramienta eléctrica.** Las distracciones pueden hacerle perder el control.

Seguridad eléctrica

- **Los enchufes de la herramienta eléctrica deben coincidir con la toma de corriente. Nunca modifique el enchufe de ninguna forma. No utilice enchufes con adaptador con herramientas eléctricas conectadas a tierra.** Los enchufes sin modificaciones y las tomas correspondientes reducen el riesgo de sacudida eléctrica.
- **Evite el contacto corporal con superficies conectadas a tierra, como tuberías, radiadores, estufas y refrigeradores.** Existe un mayor riesgo de sacudida eléctrica si su cuerpo está conectado a tierra.
- **No exponga las herramientas eléctricas a la lluvia o a la humedad.** Si entra agua en una herramienta eléctrica, aumenta el riesgo de sacudida eléctrica.
- **No haga mal uso del cable. Nunca utilice el cable para transportar, tirar o desconectar la herramienta eléctrica. Mantenga el cable alejado del calor, el aceite, los bordes afilados o las piezas en movimiento.** Cables dañados o enredados aumentan el riesgo de sacudida eléctrica.
- **Al operar una herramienta eléctrica en exteriores, utilice un cable de extensión apto para su uso al aire libre.** La utilización de un cable apto para el uso al aire libre reduce el riesgo de sacudida eléctrica.
- **Si no se puede evitar el uso de una herramienta eléctrica en un lugar húmedo, utilice un suministro de corriente residual (RCD, por sus siglas en inglés) protegido.** El uso de un RCD reduce el riesgo de que se produzcan sacudidas eléctricas.

Seguridad personal

- **Permanezca alerta, vea lo que está haciendo y use el sentido común cuando opere una herramienta eléctrica.** No utilice una herramienta eléctrica si está cansado o bajo la influencia de drogas, alcohol o medicamentos. Un momento de distracción a la hora de operar una herramienta eléctrica puede generar daños personales graves.
- **Utilice equipo de protección personal. Siempre utilice protección ocular.** El equipo de protección (como máscara contra polvo, calzado de seguridad antideslizante, casco o protectores auriculares) que se utiliza en condiciones pertinentes reducirá los daños personales.

- **Evite el arranque accidental.** Asegúrese de que el interruptor esté en la posición de apagado antes de conectarse a una fuente de energía o insertar una unidad de batería, así como cuando recoge o transporta la herramienta. Al transportar herramientas eléctricas con su dedo en el interruptor o al suministrarles corriente con el interruptor en la posición de encendido, se pueden provocar accidentes.
- **Quite cualquier llave de ajuste antes de encender la herramienta eléctrica.** Una llave conectada a una pieza giratoria de la herramienta eléctrica puede causar daños personales.
- **No se estire demasiado.** Mantenga una posición y un equilibrio adecuados en todo momento. Esto permite un mejor control de la herramienta eléctrica en situaciones inesperadas.
- **Vístase adecuadamente. No use ropa suelta ni joyas. Mantenga el pelo y la ropa lejos de las piezas en movimiento.** La ropa suelta, las joyas o el cabello largo pueden quedar atrapados en las partes que se mueven.
- **Si se proporcionan dispositivos para la conexión de instalaciones de recolección y extracción de polvo, asegúrese de que estos se conecten y utilicen de manera pertinente.** El uso de recolectores de polvo puede reducir los peligros relacionados con el polvo.
- **No se confíe de los conocimientos obtenidos a partir del uso frecuente de las herramientas ni pase por alto los principios de seguridad de uso de las herramientas.** Una acción negligente puede causar una lesión grave en una fracción de segundo.

Uso y cuidado de la herramienta eléctrica

- **No fuerce la herramienta eléctrica. Utilice la herramienta eléctrica correcta según su aplicación.** Con la herramienta eléctrica correcta, hará el trabajo mejor y de manera más segura a razón del propósito para la cual fue diseñada.
- **No utilice la herramienta eléctrica si no se puede encender o apagar con el interruptor.** Cualquier herramienta eléctrica que no se puede controlar con el interruptor conlleva peligros y se debe reparar.
- **Desconecte el enchufe de la fuente de energía o retire la unidad de batería, si es desmontable, de la herramienta eléctrica antes de hacer ajustes, cambiar accesorios o almacenar la herramienta eléctrica.** Tales medidas de seguridad preventivas reducen el riesgo de arranque accidental de la herramienta eléctrica.
- **Almacene las herramientas eléctricas inactivas fuera del alcance de los niños y no permita que personas que no estén familiarizadas con la herramienta eléctrica o con estas instrucciones operen la herramienta eléctrica.** Las herramientas eléctricas conllevan peligros en manos de usuarios inexpertos.
- **Realice mantenimiento en las herramientas eléctricas y los accesorios. Revise en busca de**

atascamiento o desalineación de las piezas móviles, rotura de piezas o cualquier otra condición que pueda afectar el funcionamiento de la herramienta eléctrica. Si se daña, repare la herramienta eléctrica antes de su uso. Muchos de los accidentes se deben a herramientas eléctricas con un mal mantenimiento.

- **Mantenga las herramientas de corte afiladas y limpias.** Las herramientas de corte con un mantenimiento correcto y bordes cortantes afilados son menos propensas a atascamientos y más fáciles de controlar.
- **Utilice la herramienta eléctrica, los accesorios, las barrenas, etc. de acuerdo con estas instrucciones, conforme a las condiciones de trabajo y la tarea que se debe realizar.** El uso de la herramienta eléctrica en operaciones distintas de las previstas podría generar una situación peligrosa.
- **Mantenga los mangos y las superficies de agarre secos, limpios y sin grasa ni aceite.** Los mangos y las superficies de agarre resbaladizas no permiten un manejo seguro ni el control de la herramienta en situaciones imprevistas.

Servicio

- **Asegúrese de que un experto calificado realice la reparación de la herramienta eléctrica solo con piezas de repuesto idénticas.** Esto garantizará que se mantenga la seguridad de la herramienta eléctrica.

Advertencias de seguridad sobre el taladro de diamante

- **Cuando realice perforaciones que requieran el uso de agua, dirija el agua lejos del área de trabajo del operador o utilice un dispositivo de recolección de líquidos.** Estas medidas cautelares mantienen seca el área de trabajo del operador y reducen el riesgo de sufrir sacudidas eléctricas.
- **Utilice la herramienta eléctrica desde las superficies de agarre aisladas, cuando realice una tarea en la cual el accesorio de corte pueda entrar en contacto con cableado oculto o con el propio cable de alimentación.** Si el accesorio de corte entra en contacto con un cable con corriente, es posible que las piezas metálicas expuestas de la herramienta eléctrica reciban tensión y que el operador reciba una sacudida eléctrica.
- **Utilice protectores auriculares cuando haga perforaciones con diamante.** La exposición al ruido puede causar pérdida de audición.
- **Cuando la broca se atasque, deje de aplicar presión hacia abajo y apague la herramienta.** Investigue y tome medidas correctivas para eliminar la causa de la obstrucción de la broca.
- **Cuando se vuelva a arrancar un taladro de diamante sobre la pieza de trabajo, compruebe que la broca gira libremente antes de comenzar.** Si la broca está atascada, es posible que no arranque, lo que puede

sobrecargar la herramienta o causar que el taladro de diamante se salga de la pieza de trabajo.

- **Cuando fije el soporte de taladro con anclas y sujetadores a la pieza de trabajo, asegúrese de que el anclaje utilizado pueda mantener y sujetar la máquina durante su uso.** Si la pieza de trabajo es débil o porosa, el anclaje puede salirse y causar que el soporte de taladro se suelte.
- **Cuando realice perforaciones a través de paredes o techos, asegúrese de proteger a las personas y al área de trabajo del otro lado.** La broca se puede salir a través del orificio o el núcleo podría salir para el otro lado.
- **Si taladra en áreas sobre la cabeza, use siempre el dispositivo de recolección de líquido especificado en las instrucciones. No permita que el agua fluya hacia el interior de la herramienta.** Si entra agua en una herramienta eléctrica, aumenta el riesgo de sacudida eléctrica.

Instrucciones generales de seguridad



ADVERTENCIA: Lea atentamente las instrucciones de advertencia siguientes antes de usar el producto.

- Este producto puede ser una herramienta peligrosa si no se maneja con cuidado o si utiliza el producto de forma incorrecta. Este producto puede causar daños graves o fatales al operador o a otras personas. Antes de utilizar el producto, es muy importante que lea y comprenda el contenido de este manual de usuario.
- Guarde todas las advertencias y las instrucciones.
- Cumpla todas las leyes y reglamentos vigentes.
- El operador y el empleador del operador deben conocer y evitar los riesgos durante la operación del producto.
- No permita que nadie que no haya leído y comprendido el contenido del manual de usuario utilice el producto.
- No utilice el producto si no ha recibido capacitación antes de su uso. Asegúrese de que todos los usuarios reciban capacitación.
- No deje que un niño utilice el producto.
- Restrinja el uso del producto solo a personas autorizadas.
- El operador es responsable de los accidentes que puedan ocurrirles a otras personas o a sus propiedades.
- No utilice el producto si está cansado, enfermo o bajo la influencia de alcohol, drogas o medicamentos.
- Sea siempre cuidadoso y use el sentido común.
- En este producto se genera un campo electromagnético durante su funcionamiento. Este campo puede, en determinadas circunstancias, interferir en implantes médicos activos o pasivos. Para reducir el riesgo de daños graves o mortales,

se recomienda que las personas con implantes médicos consulten a su médico y al fabricante del implante médico antes de utilizar este producto.

- Mantenga la máquina limpia. Asegúrese de que puede leer señales y etiquetas claramente.
- No utilice el producto si se encuentra defectuoso.
- No modifique este producto.
- No utilice el producto si es posible que otras personas hayan realizado modificaciones en el mismo.

Utilice siempre el sentido común



ADVERTENCIA: Bajo ninguna circunstancia debe modificar el diseño original de la máquina sin la aprobación del fabricante. Utilice siempre piezas de repuesto originales. Las modificaciones o los accesorios no autorizados pueden provocar graves lesiones o incluso la muerte al usuario u otras personas.



ADVERTENCIA: El uso de máquinas tales como cortadoras, amoladoras, taladros, que liján o dan forma a materiales, puede generar polvo y vapores que pueden contener productos químicos peligrosos. Compruebe el origen del material que va a procesar y utilice una máscara respiratoria adecuada.

No es posible abordar todas las situaciones posibles que puede afrontar cuando usa una perforadora. Siempre tenga cuidado y use su sentido común. Evite todas las situaciones que considere que están más allá de su capacidad. Si todavía se siente inseguro acerca de los procedimientos operativos después de leer estas instrucciones, debería consultar a un experto antes de continuar. No dude en comunicarse con su distribuidor o con nosotros si tiene alguna pregunta sobre el uso del taladro. Estaremos encantados de brindarle consejos y asesoría, además de prestarle ayuda con el uso del taladro de forma eficiente y segura.

No dude en comunicarse con su distribuidor si tiene alguna pregunta sobre el uso de la máquina. Estaremos encantados de brindarle consejos y asesoría, además de prestarle ayuda con el uso de la máquina de forma eficiente y segura.

Permita que su distribuidor de Husqvarna revise regularmente la perforadora y realice los ajustes y las reparaciones necesarios.

Husqvarna Construction Products tiene una política de desarrollo continuo de productos. Husqvarna se reserva el derecho de modificar el diseño y el aspecto de los productos sin previo aviso y de presentar modificaciones al diseño sin compromisos ulteriores.

Toda la información y todos los datos en el manual del usuario estaban vigentes en el momento en que el manual del usuario se envió a impresión.

Instrucciones de seguridad para el funcionamiento



ADVERTENCIA: Lea atentamente las instrucciones de advertencia siguientes antes de usar el producto.

- No utilice el producto si no puede recibir ayuda en caso de que ocurra un accidente.
- No utilice el producto en malas condiciones climáticas, tales como niebla, lluvia, vientos fuertes, frío intenso u otras condiciones similares. En estos climas adversos se pueden producir condiciones peligrosas, como superficies resbaladizas.
- Tenga cuidado con personas, objetos y situaciones que puedan impedir el funcionamiento seguro del producto.
- Cuando el taladro apunte hacia arriba durante el funcionamiento, utilice siempre un recipiente adecuado para recoger el agua.
- Siempre conecte el producto a un soporte de taladro adecuado antes de operar el equipo. Consulte *Para fijar el producto a un soporte de taladro en la página 23*.
- Asegúrese de que siempre se pueda detener el motor rápidamente en caso de emergencia.
- Asegúrese de que no haya tuberías ni cables eléctricos en la zona de trabajo donde se perforará el orificio.
- Si el producto no funciona correctamente, detenga el motor.
- Asegúrese de encontrarse en una posición segura y estable durante la operación.
- Manténgase a una buena distancia de la broca cuando el motor esté funcionando.
- No se aleje del producto cuando el motor esté en marcha.
- Siempre desconecte el cable de alimentación antes de alejarse del producto.
- Mantenga todas las piezas en buen estado y asegúrese de que todos los componentes fijos estén ajustados correctamente.
- Si el producto vibra o el nivel de ruido del producto es inusualmente alto, deténgalo de inmediato. Examine el producto en busca de daños. Repare los daños o solicite a un taller de servicio autorizado que realice la reparación.
- Siempre utilice accesorios homologados. Póngase en contacto con su concesionario para obtener más información.

Cables de extensión

- Utilice solamente cables de extensión aprobados que tengan la longitud suficiente.

- El valor nominal del cable de extensión debe ser el mismo o superior al valor que se establece en la placa de características del producto.
- Utilice cables de extensión con conexión a tierra.
- Cuando opere el producto en exteriores, utilice un cable de extensión apto para el uso en exteriores. Esto disminuye el riesgo de sacudida eléctrica.
- Mantenga la conexión al cable de extensión seca y no la deje en el suelo.
- Mantenga el cable de extensión alejado del calor, el aceite, los bordes afilados o de las piezas móviles. Los cables dañados aumentan el riesgo de sacudidas eléctricas.
- Asegúrese de que el cable de extensión esté intacto y en buenas condiciones.
- No utilice el cable de extensión mientras está enrollado. Esto puede provocar que el cable de extensión se caliente demasiado.
- Asegúrese de que el cable de extensión esté detrás de usted cuando utilice el producto. Esto evita que el cable de extensión sufra daños.

Equipo de protección personal



ADVERTENCIA: Lea atentamente las instrucciones de advertencia siguientes antes de usar el producto.

- Utilice siempre el equipo de protección personal aprobado cuando utilice el producto. El equipo de protección personal no puede impedir el riesgo de lesiones, pero disminuirá el grado de lesión si ocurre un accidente. Solicite a su concesionario que lo ayude a seleccionar el equipo de protección personal correcto.
- Realice periódicamente una comprobación del estado del equipo de protección personal.
- Utilice un casco protector aprobado.
- Use protección auricular aprobada.
- Utilice protección respiratoria aprobada.
- Utilice protección ocular aprobada con protección lateral.
- Use guantes protectores.
- Utilice botas con punta de acero y suela antideslizante.
- Utilice ropa de trabajo aprobada o ropa equivalente de ajuste ceñido, que cubra por completo los brazos y las piernas.

Extintor de incendios

- Mantenga un extintor de incendios a mano durante la operación.
- Utilice un extintor de incendios de polvo de clase "ABE" o un extintor de dióxido de carbono de tipo "BE".

Dispositivos de seguridad en el producto

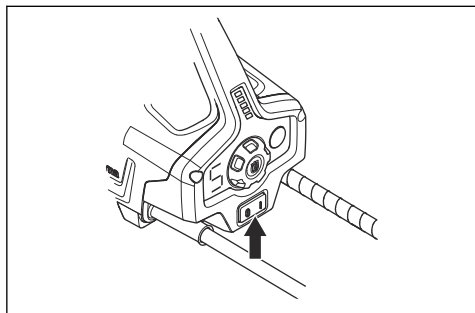


ADVERTENCIA: Lea atentamente las instrucciones de advertencia siguientes antes de usar el producto.

- No utilice un producto con dispositivos de seguridad defectuosos.
- Revise los dispositivos de seguridad de forma regular. Si los dispositivos de seguridad están defectuosos, comuníquese con su taller de servicio Husqvarna.

Interruptor encender/apagar

El interruptor encender/apagar (ON/OFF) se usa para arrancar y detener el producto.



Para comprobar el interruptor encender/apagar

1. Conecte el producto a la fuente de alimentación.
2. Coloque el interruptor ENCENDER/APAGAR en la posición "1" para poner en marcha el producto.
3. Coloque el interruptor ENCENDER/APAGAR en la posición "0" y asegúrese de que el producto se detenga.

Embrague de fricción

El embrague de fricción está integrado en la caja de cambios del producto. Evita daños al producto si la

broca de perforación se detiene durante el funcionamiento. Si la carga es demasiado alta, el embrague de fricción se libera y detiene el eje del taladro, pero mantiene el motor encendido durante algunos segundos. El embrague de fricción se conecta nuevamente si la carga disminuye y la operación puede continuar. Si la broca queda atrapada en el material y se detiene por completo, el embrague de fricción detiene el motor inmediatamente.



AVISO: Asegúrese de que el tiempo de liberación del embrague no sea superior a 3 o 4 segundos, ya que, de lo contrario, el desgaste y el calor aumentarán rápidamente.

Instrucciones de seguridad para el mantenimiento



ADVERTENCIA: Lea atentamente las instrucciones de advertencia siguientes antes de usar el producto.

- Detenga el producto y desconecte la fuente de alimentación antes de realizarle mantenimiento.
- Utilice el equipo de protección personal.
- Mantenga todas las piezas en buen estado y asegúrese de que todos los componentes fijos estén ajustados correctamente.
- Realice los controles de seguridad y de mantenimiento como se describe en este manual. Todas las demás tareas de mantenimiento se deben realizar en un taller de servicio aprobado.
- Si es necesario reemplazar el cable de alimentación o la conexión eléctrica, esto debe realizarlo un taller de servicio aprobado.
- Realice mantenimiento para asegurarse de que el producto funcione correctamente. Consulte *Programa de mantenimiento en la página 28*.
- No utilice un producto que esté defectuoso.

Montaje

Introducción



ADVERTENCIA: Asegúrese de leer y comprender el capítulo de seguridad antes de montar el producto.



ADVERTENCIA: Para evitar lesiones personales, desconecte el cable de alimentación y retire la broca antes del montaje.

Para fijar el producto a un soporte de taladro



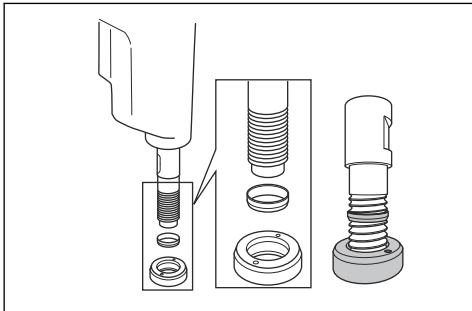
AVISO: Lea el manual de usuario del soporte de taladro cuidadosamente.

- Para conectar el producto a un soporte de taladro, consulte el manual del soporte de taladro.

- Solo se deben utilizar soportes de taladro Husqvarna aprobados. Consulte *Soportes de taladro correspondientes en la página 32*.

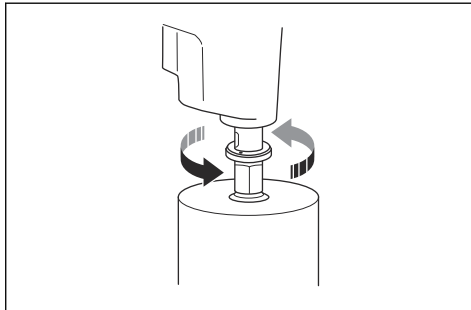
Para instalar una broca

1. Instale el anillo de fricción suministrado en el eje del husillo.



Tenga en cuenta: El anillo de fricción evita que el eje del husillo y la caja de cambios sufran daños durante la extracción de la broca.

2. Gire la broca hacia la izquierda para instalarla. Apriete completamente.



Funcionamiento

Haga lo siguiente antes de usar el producto

1. Lea atentamente el manual del usuario y asegúrese de entender las instrucciones.
2. Lea el manual de usuario del soporte de taladro cuidadosamente y asegúrese de entender las instrucciones.
3. Utilice equipo de protección personal. Consulte *Equipo de protección personal en la página 22*.
4. Realice el mantenimiento diario. Consulte *Programa de mantenimiento en la página 28*.
5. Asegúrese de que solo personas autorizadas estén en la zona de trabajo.
6. Asegúrese de que el producto esté montado correctamente y que no esté dañado. La broca y el soporte de taladro deben fijarse correctamente.
7. Asegúrese de que el sistema de agua no esté dañado y de que esté conectado al producto.

Para conectar y abrir el suministro de agua



AVISO: Asegúrese de que la presión del agua máxima no sea demasiado alta, consulte #.

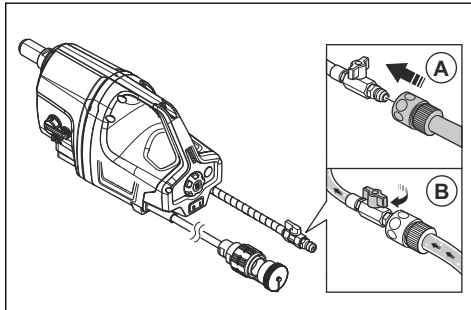


AVISO: Utilice solo agua limpia para evitar que la suciedad obstruya el sistema de agua.



AVISO: Utilice solo un acoplamiento de suministro de agua aprobado. Comuníquese con su concesionario para obtener más información.

1. Conecte la válvula de bola al suministro de agua (A).



2. Abra el sistema de agua (B). Ajuste la presión del agua para quitar todo el material de desecho del orificio taladrado.

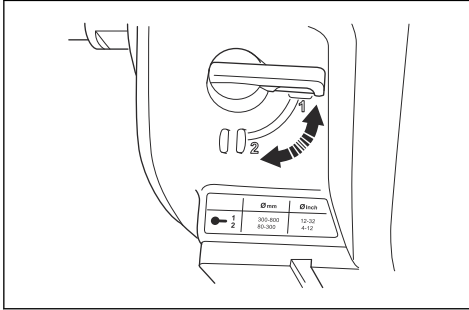
Para poner en marcha el producto



ADVERTENCIA: Asegúrese de que la broca pueda girar libremente. Comienza a girar cuando el motor arranca.

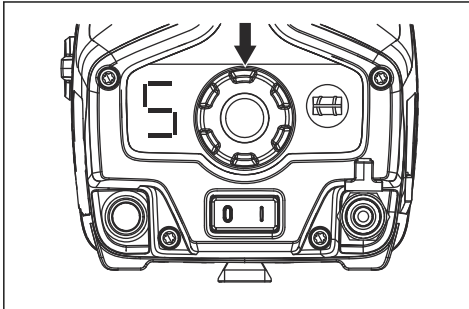
1. Conecte el producto a una unidad de alimentación adecuada.
2. Conecte la unidad de alimentación a una toma de corriente.

3. Para ajustar la velocidad de funcionamiento, gire el eje del taladro y, al mismo tiempo, mueva el selector de marchas. Coloque el selector de marchas en la posición correcta para el funcionamiento.

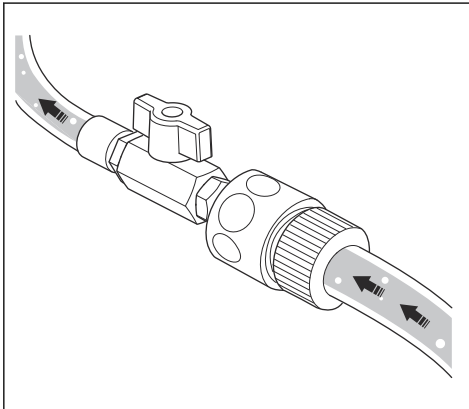


AVISO: No mueva el selector de marchas mecánicas cuando el producto esté encendido. Esto puede dañar la caja de cambios.

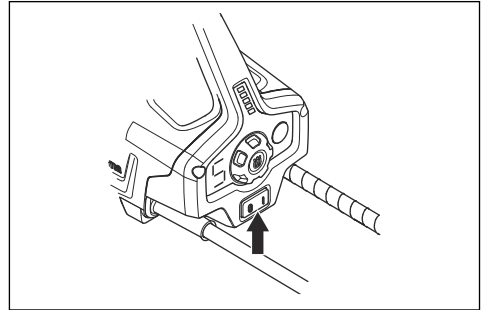
4. Gire el selector de marchas electrónicas para seleccionar una velocidad adecuada para el funcionamiento. Consulte *Diámetros recomendados para brocas en la página 30*.



5. Asegúrese de que el sistema de agua esté abierto.



6. Coloque el interruptor ENCENDER/APAGAR en la posición "1".



Para hacer funcionar el producto



ADVERTENCIA: Si se activa el PRCD, retire la broca del orificio antes de presionar "RESET" (Reinicio).



ADVERTENCIA: Pueden ocurrir accidentes peligrosos si el cilindro de hormigón extraído se queda en la broca cuando la retira del orificio.



AVISO: Asegúrese de que ningún objeto golpee la broca.



AVISO: No use más fuerza de la que sea necesaria. Esto solo ralentiza la operación y sobrecarga el motor.

1. Arranque el motor. Consulte *Para poner en marcha el producto en la página 24*.
2. Deje que la velocidad del motor aumente al régimen máximo antes de que la broca entre en contacto con la superficie.
3. Empuje la broca contra la superficie con la palanca de alimentación.
4. Si perfora a través de refuerzos de hierro, utilice más presión inicial y una marcha más baja que si no hubiera refuerzos de hierro.
5. Utilice una presión muy baja inicialmente, con el fin de mantener la broca en la posición correcta.
6. Durante el funcionamiento, asegúrese de que el agua quite todo el material de desecho del orificio taladrado. Ajuste la presión del agua si es necesario.
7. Detenga el motor. Consulte *Para detener la máquina en la página 27*.

Indicador de carga

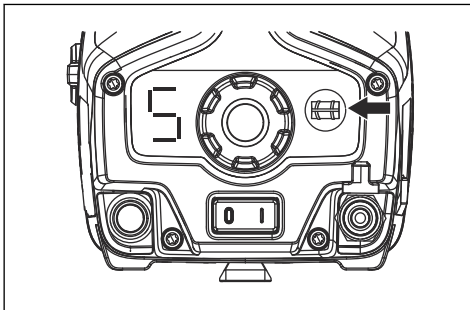
indicador de carga muestra la salida de potencia, que no siempre corresponde a lo más recomendado para el funcionamiento.



AVISO: No sobrecargue el producto de manera constante, ya que podría dañarlo. El

Indicadores LED	Causa	Procedimiento posible
1 LED verde.	El producto está conectado a la unidad de alimentación y se puede utilizar.	No es necesario realizar ningún procedimiento.
	La salida de potencia es inferior al 70 % de la salida disponible durante el funcionamiento.	
2 LED verdes.	La salida de potencia está entre el 70 % y el 90 % de la salida disponible durante el funcionamiento.	No es necesario realizar ningún procedimiento.
3 LED verdes.	La salida de potencia es superior al 90 % de la salida disponible.	No es necesario realizar ningún procedimiento.
3 LED verdes y 1 LED amarillo.	Potencia de salida máxima.	No es necesario realizar ningún procedimiento.
3 LED verdes, 1 LED amarillo, 1 LED rojo.	Existe el riesgo de que el producto se caliente demasiado.	Disminuya la carga o la temperatura del motor y de la unidad de alimentación.
Todos los LED están encendidos o parpadean.	El producto está demasiado caliente y puede detenerse repentinamente. ² La salida máxima disponible se reduce automáticamente para evitar el sobrecalentamiento y la detención automática del producto.	Disminuya la carga o la temperatura del motor y de la unidad de alimentación.
		Aumente la cantidad de agua o utilice agua más fría para disminuir la temperatura del motor.
		Para disminuir la temperatura de la unidad de alimentación, reemplace el filtro de aire o coloque la unidad de alimentación a una temperatura ambiente más baja.

Botón de hierro



La función del botón de hierro disminuye la velocidad de funcionamiento para facilitar el corte de materiales duros, por ejemplo, barras de refuerzo.

La disminución de la velocidad también se puede utilizar para que la broca penetre más fácilmente la superficie de otros materiales. Para obtener un mejor rendimiento, una vez que la broca atraviese la superficie, desactive la función del botón de hierro y perfore el orificio a velocidad regular.

Cuando el indicador de la marcha electrónica parpadea, la función del botón de hierro está activada.

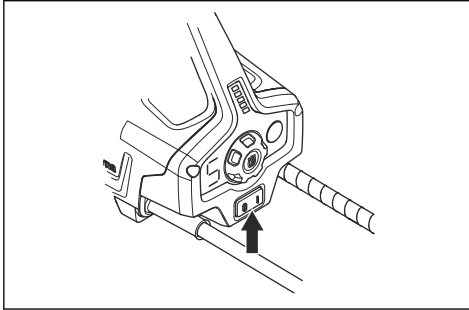
² Si el producto se detiene debido al sobrecalentamiento, los LED continúan parpadeando hasta que el producto se enfríe y se puede volver a arrancar.

Para detener la máquina



ADVERTENCIA: La broca sigue girando durante algún tiempo antes de que el motor se detenga. Nunca detenga la broca con las manos. Podría ocasionarle lesiones.

1. Deje que el producto funcione sin carga de trabajo de 2 a 3 minutos. El sistema de agua disminuye la temperatura del motor.
2. Coloque el interruptor ENCENDER/APAGAR en la posición "0".



3. Espere hasta que la broca se haya detenido completamente.
4. Cierre el suministro de agua.
5. Desconecte el producto de la fuente de alimentación.

Para reemplazar la broca



ADVERTENCIA: Desconecte el producto de la toma de corriente antes de reemplazar la broca.



ADVERTENCIA: Use guantes protectores. Deje que el producto se enfríe antes de quitar la broca. La broca y el área adyacente quedan muy calientes después del funcionamiento.



ADVERTENCIA: Use solamente brocas de diamante aprobadas para el producto.

Mantenimiento

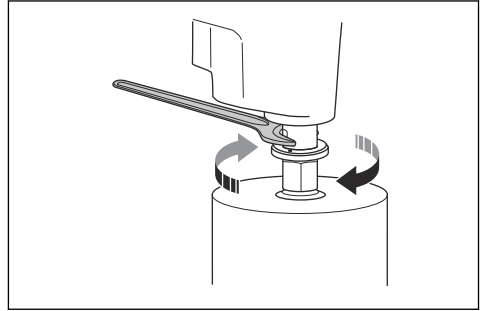
Introducción



ADVERTENCIA: Lea detenidamente el capítulo de seguridad antes de realizar mantenimiento en el producto.

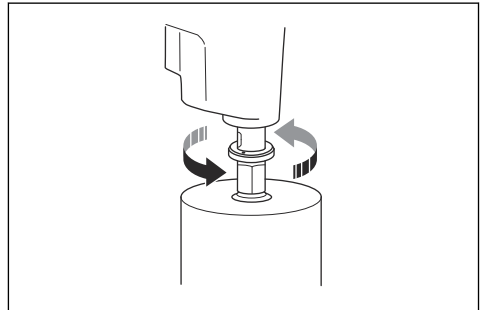
Comuníquese con su concesionario Husqvarna para obtener más información.

1. Asegúrese de contar con una broca nueva, la llave proporcionada y grasa resistente al agua.
2. Bloquee el eje del husillo con la llave.
3. Gire la broca hacia la derecha para quitarla.



AVISO: No golpee el producto para quitar la broca. Esto puede dañar la caja de cambios y el soporte de taladro.

4. Lubrique el eje del husillo con grasa resistente al agua.
5. Gire la broca hacia la izquierda para instalarla. Apriete completamente.



ADVERTENCIA: Para evitar lesiones personales, desconecte el cable de alimentación antes de realizar tareas de mantenimiento.

Programa de mantenimiento

* = Mantenimiento general por parte del operador. Las instrucciones no se proporcionan en este manual de usuario.

X = Las instrucciones se proporcionan en este manual de usuario.

Mantenimiento	Antes de cada uso	Después de cada uso	Cada 300 h
Asegúrese de que las tuercas y los tornillos estén apretados.	*		
Asegúrese de que el interruptor ENCENDER/APAGAR funcione correctamente. Consulte <i>Para comprobar el interruptor encender/apagar en la página 23.</i>	X		
Limpie las superficies exteriores del producto.	X	X	
Asegúrese de que no haya grasa ni aceite en el mango.	*	*	
Revise si hay daños en el cable de alimentación y en la conexión a la fuente de alimentación.	*	*	
Asegúrese de que las piezas móviles funcionen de manera correcta y se puedan mover libremente.	*		
Asegúrese de que la broca esté afilada y limpia.	X		
Reemplace el aceite de la caja de cambios.			X
Revise si hay daños o fugas de agua en la conexión de agua.		X	

Para limpiar el producto



AVISO: Asegúrese de que no entre agua en el motor ni en la caja de cambios.



AVISO: No utilice agua corriente para limpiar el producto.

- Utilice un paño seco o húmedo para limpiar el producto.
- Elimine los bloqueos en todas las tomas de aire. Una toma de aire bloqueada disminuye el rendimiento del producto y puede provocar que el motor se caliente demasiado.
- Limpie y lubrique la rosca del eje del husillo.

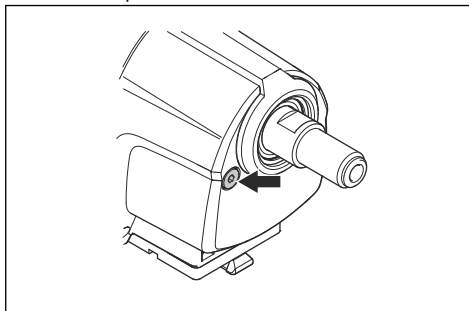
Para realizar el mantenimiento de la broca de diamante

- Asegúrese de que los segmentos de las herramientas de diamante estén afilados. Afíle los segmentos de diamantes desafilados con una piedra de afilar SiC.
- Asegúrese de que la broca no vibre. Si hay vibración en la broca, los segmentos de diamante pueden aflojarse.
- Asegúrese de que los segmentos de diamante tengan un tamaño suficientemente mayor que el diámetro interior y exterior del tubo de la broca.

- Lubrique la rosca de la broca con grasa resistente al agua. Esto facilita aflojar la herramienta.
- Asegúrese de que el descentrado radial en los segmentos de diamante de la broca no sea superior a 1 mm.

Para reemplazar el aceite de la caja de cambios

1. Retire el tapón de vaciado de aceite.



2. Deje que el aceite de la caja de cambios se vierta a un recipiente.



AVISO: Deseche el combustible utilizado en un lugar adecuado para tal propósito.

3. Si es necesario, solicite a un centro de servicio de Husqvarna autorizado la limpieza de la caja de cambios.
4. Llene con aceite nuevo de caja de cambios. Consulte # para conocer el tipo y la cantidad de aceite adecuados.
5. Quite el tapón de vaciado de aceite. El tapón de vaciado de aceite tiene un imán que atrapa las partículas metálicas.

6. Instale el tapón de vaciado de aceite.

Para examinar la conexión de agua



AVISO: Si hay una fuga de agua del anillo de conexión de agua, los sellos del eje se deben reemplazar inmediatamente.

- Solicite a un centro de servicio de Husqvarna autorizado que repare la conexión de agua.

Transporte y almacenamiento

- Mantenga el producto en un área cerrada para evitar que los niños u otras personas sin autorización puedan acceder a él.
- Mantenga el producto en un lugar seco y sin escarcha.
- Quite la broca antes de almacenar o transportar el producto. Esto se hace para evitar daños en el producto y en las brocas.
- Asegure bien el producto durante el transporte para evitar daños y accidentes.

Datos técnicos

Datos técnicos

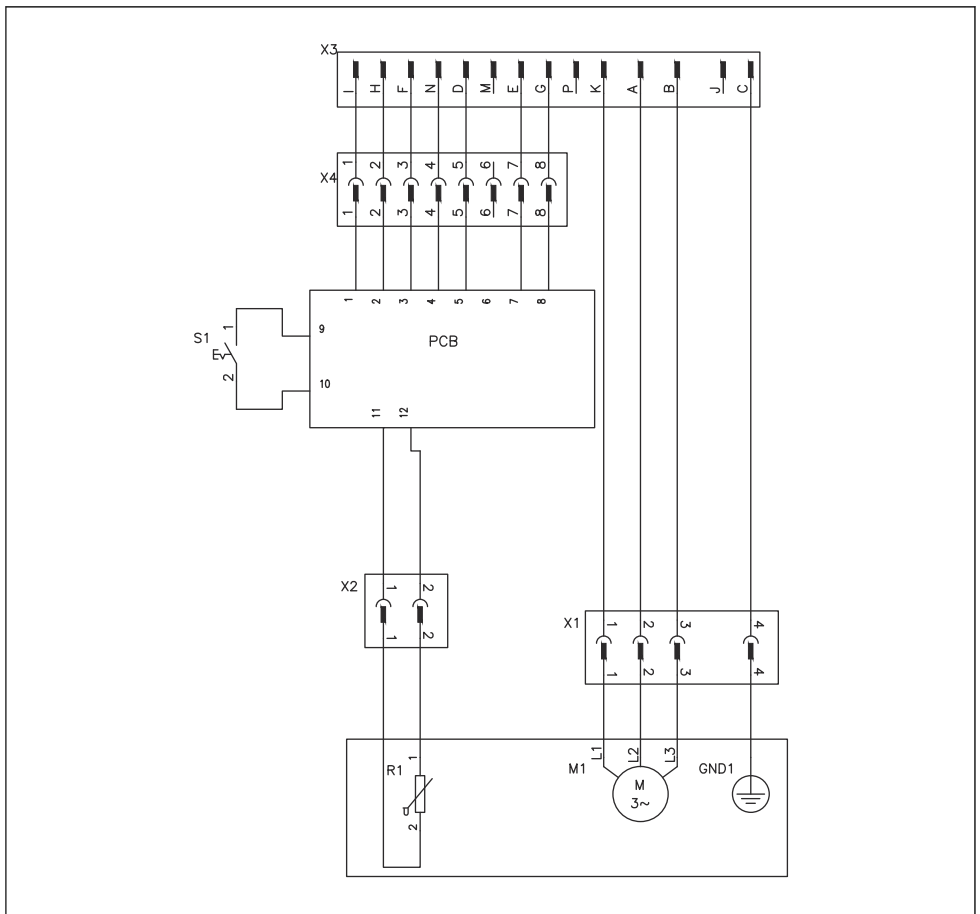
Motor	
Motor eléctrico	HF Alta frecuencia
Salida máxima del eje, kW	6
Peso, kg/lb	13,6/29,9
Aceite de la caja de cambios	
Tipo	Q8 T 65 SAE 75W-90
Capacidad, l/cuartos de galón	1,0/1,06
Broca	
Diámetro máximo recomendado, mm/pulg.	600/24
Diámetro mínimo recomendado, mm/pulg.	100/4
Rosca del eje	G 1 ¼"
Refrigeración por agua	
Presión del agua mínima y máxima, bar/PSI	0,5-8/7,2-116
Flujo de agua mínimo recomendado a una temperatura del agua de 15 °C, l/min	0,5
Acoplamiento de agua	G ¼"

Diámetros recomendados para brocas

Marcha mecánica	Marcha electrónica	Velocidad, rpm	Diámetro de la broca, mm/pulg.
1	1	125	600/24
1	2	139	500/20
1	3	156	450/18
1	4	175	400/16
1	5	196	350/14
1	6	220	300/12
1	7	247	250/10
1	8	278	225/9
1	9	310	200/8
2	1	270	250/10
2	2	299	225/9

Marcha mecánica	Marcha electrónica	Velocidad, rpm	Diámetro de la broca, mm/ pulg.
2	3	336	200/8
2	4	377	176/7
2	5	423	150/6
2	6	475	125/5
2	7	534	100/4
2	8	599	90/3,5
2	9	675	80/3

Esquema eléctrico



Accesorios

Soportes de taladro correspondientes

El producto corresponde a los siguientes soportes de taladro Husqvarna:

- DS500, recomendado para diámetros de broca de 400 mm como máximo.
- DS900, recomendado para diámetros de broca de 400 mm a 600 mm.

Servicio

Centro de servicio autorizado

Para encontrar el centro de servicio autorizado por Husqvarna Construction Products más cercano, dirijase al sitio web de www.husqvarnacp.com.

Table des matières

Introduction.....	33	Transport et entreposage.....	45
Sécurité.....	35	Données techniques.....	46
Montage.....	39	Accessoires.....	48
Fonctionnement.....	40	Service.....	48
Entretien.....	43		

Introduction

Responsabilité du propriétaire



AVERTISSEMENT: Des opérations de coupe, de surfacage ou de perçage du béton ou de la pierre, particulièrement lorsque les conditions sont sèches, génèrent de la poussière qui contient souvent de la silice. La silice est un composant de base du sable, du quartz, de la brique d'argile, du granit et de nombreux autres pierres et minéraux. L'exposition à une quantité excessive de ces poussières peut entraîner :

une maladie respiratoire (réduisant la capacité à respirer), notamment la bronchite chronique, la silicose et la fibrose pulmonaire causée par l'exposition à la silice. Ces maladies peuvent être fatales;

Des irritations et éruptions cutanées.

Le cancer, selon le NTP (National Toxicology Program) et le CIRC (Centre international de Recherche sur le Cancer).

Prendre les précautions suivantes :

Éviter l'inhalation et le contact cutané avec les poussières, brouillards et fumées.

Porter et veiller à ce que les personnes à proximité portent un dispositif de protection respiratoire approprié, tel un masque antipoussière filtrant les particules microscopiques. (Voir OSHA 29 CFR Part 1926.1153)

Pour réduire les émissions de poussières, utilisez de l'eau pour agglomérer, lorsque cela est possible.

Il est de la responsabilité du propriétaire ou de l'employeur de s'assurer que l'utilisateur possède les connaissances nécessaires pour manipuler le produit en toute sécurité. Les superviseurs et les utilisateurs doivent avoir lu et compris le manuel d'utilisation. Ils doivent être conscients des éléments suivants :

- Les consignes de sécurité relatives au produit.
- L'éventail d'applications du produit et ses limites.
- La manière dont le produit doit être utilisé et entretenu.

Description du produit

Ce moteur de foret est une caroteuse diamant à utiliser avec un support de forage approuvé. L'alimentation est assurée par bloc d'alimentation.

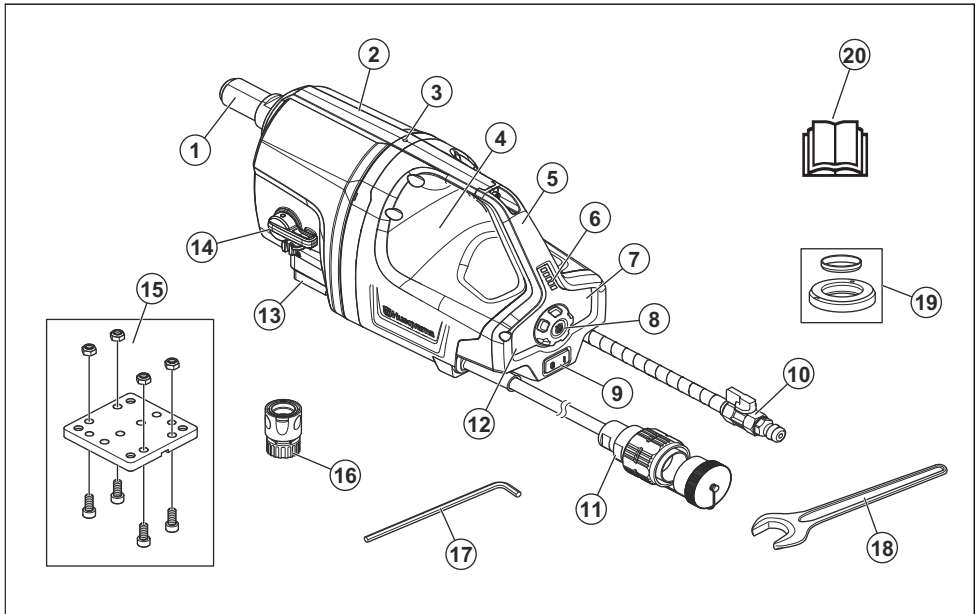
Le foret à diamant est un foret creux à segments en diamant. L'eau passe par le robinet à bille, le flexible et le foret à diamant. L'eau évacue le matériau percé hors de la fente et diminue la température dans le foret.

Utilisation prévue

Le produit est utilisé pour percer dans la maçonnerie dure, l'acier et d'autres matériaux durs. Le produit s'utilise quand il est installé sur un support de forage approuvé. Toute autre utilisation est inappropriée.

Le produit est conçu pour des opérations industrielles et destiné à des opérateurs expérimentés.

Présentation du produit



1. Broche de perçage
2. Boîte d'engrenages
3. Indicateur de fuites
4. Boîtier du produit
5. Poignée
6. Indicateur de charge de travail
7. Bouton pour le fer
8. Sélecteur de vitesse, rapports électroniques
9. Interrupteur ON/OFF (Marche-Arrêt)
10. Raccord mâle GARDENA® avec valve d'eau
11. Branchement de la source d'alimentation
12. Rapport électronique sélectionné
13. Plaque de montage rapide pour support de forage Husqvarna
14. Sélecteur de vitesse, rapports mécaniques
15. Plaque d'installation pour support de forage Husqvarna
16. Raccord d'eau GARDENA®
17. Clé hexagonale de 8 mm
18. Clé
19. Bague de friction
20. Manuel d'utilisation

Symboles figurant sur l'appareil



AVERTISSEMENT! Ce produit peut être dangereux et causer des blessures très graves, ou même mortelles, à l'utilisateur et à d'autres personnes. Faire attention et utiliser le produit correctement.



Lire soigneusement le manuel d'instructions et veiller à bien comprendre les directives avant d'utiliser cette machine.



Toujours utiliser un équipement de protection personnelle homologué. Se reporter à la section *Équipement de protection personnelle* à la page 38.



Marque relative à l'environnement. Le produit ou l'emballage du produit n'est pas un déchet domestique. Il faut l'envoyer dans un centre de recyclage pour équipements électriques et électroniques.

Remarque : Les autres symboles et autocollants apposés sur le produit se rapportent aux exigences en matière de certification pour certains marchés.

Responsabilité concernant le produit

Comme indiqué dans les lois en vigueur sur la responsabilité concernant les produits, nous ne serons pas tenus responsables des dommages que notre produit causerait dans les situations suivantes :

- Le produit n'est pas réparé de façon adéquate.

- Le produit est réparé avec des pièces qui ne sont pas fournies ou homologuées par le fabricant.
- Le produit comprend un accessoire qui n'est pas fourni ou homologué par le fabricant.
- Le produit n'est pas réparé par un centre de service après-vente agréé ou par une autorité homologuée.

Sécurité

Définitions relatives à la sécurité

Les avertissements, recommandations et remarques soulignent des points du manuel qui revêtent une importance particulière.



AVERTISSEMENT: Indique la présence d'un risque de blessure ou de décès de l'utilisateur ou de personnes à proximité si les instructions du manuel ne sont pas suivies.



MISE EN GARDE : Indique la présence d'un risque de dommages au produit, à d'autres appareils ou à la zone adjacente si les instructions du manuel ne sont pas suivies.

Remarque : Utilisé pour donner des renseignements plus détaillés qui sont nécessaires dans une situation donnée.

Consignes générales de sécurité relatives aux outils électriques



AVERTISSEMENT: Consulter l'ensemble des avertissements relatifs à la sécurité, des instructions, des illustrations et des spécifications transmis avec cet outil électrique. Le non-respect des instructions indiquées ci-dessous peut provoquer une décharge, un incendie ou des blessures graves.

Remarque : Conserver ces instructions et consignes pour consultation ultérieure. Dans les avertissements, le terme « outil électrique » fait référence à votre appareil électrique branché sur le secteur ou alimenté par batterie (sans fil).

Sécurité de l'aire de travail

- **Maintenir l'aire de travail propre et bien éclairée.** Les endroits sombres ou encombrés sont propices aux accidents.
- **Ne pas utiliser des outils électriques dans des atmosphères explosives, notamment en présence de liquides, gaz ou poussières inflammables.** Les outils

électriques produisent des étincelles qui peuvent enflammer les poussières et les vapeurs.

- **Tenir les enfants et les spectateurs à distance lorsque l'outil électrique est en marche.** Un moment d'inattention pourrait vous en faire perdre le contrôle.

Sécurité électrique

- **La fiche d'un outil électrique doit être adaptée à la prise. Ne jamais modifier la fiche. Ne jamais utiliser une fiche d'adaptation avec un outil électrique mis à la terre.** Les fiches non modifiées et les prises adaptées à la fiche permettent de réduire les risques d'électrocution.
- **Éviter d'entrer en contact avec les surfaces mises à la terre (tuyaux, radiateurs, cuisinières, réfrigérateurs, etc.).** Le risque d'électrocution est plus important si le corps est mis à terre.
- **Ne pas exposer les outils électriques à la pluie ou à l'humidité.** L'infiltration d'eau dans un outil électrique augmente le risque d'électrocution.
- **Toujours manipuler le cordon avec soin. Ne jamais utiliser le cordon pour porter, tirer ou débrancher l'outil électrique.** Tenir le cordon à l'écart de la chaleur, de l'huile, des bords tranchants et des pièces mobiles. Les cordons endommagés ou emmêlés augmentent le risque d'électrocution.
- **Pour le travail à l'extérieur, utiliser une rallonge adaptée à l'usage extérieur.** L'utilisation d'une telle rallonge réduit le risque d'électrocution.
- **S'il est impossible d'éviter de faire fonctionner la machine électrique dans un endroit humide, utiliser une alimentation avec dispositif de protection par courant résiduel résiduel (RCD).** Les disjoncteurs de courant résiduel réduisent le risque d'électrocution.

Sécurité personnelle

- **Lors de l'utilisation d'un outil électrique, toujours demeurer attentif et faire preuve de bon sens. Ne pas utiliser l'outil électrique si vous êtes fatigué ou sous l'emprise de drogues, de l'alcool ou de médicaments.** Tout moment d'inattention pendant l'utilisation d'un outil électrique peut causer de graves blessures.
- **Utiliser de l'équipement de protection individuelle. Toujours porter des lunettes de protection.** En utilisant l'équipement de protection (masque antipoussière, chaussures de sécurité antidérapantes, casque, dispositif de protection pour

les oreilles, etc.) qui convient aux conditions, on réduit les risques de blessure.

- **Prévenir les démarrages accidentels. Vérifier que l'interrupteur est à la position d'arrêt avant de brancher l'outil dans la prise ou le bloc d'alimentation, de le saisir ou de le transporter.** Le transport des outils électriques en maintenant le doigt sur l'interrupteur d'alimentation et le branchement d'outils alors que l'interrupteur est à la position de marche expose à des accidents.
- **Retirer toute clé ou clavette de réglage avant de mettre l'outil sous tension.** Une clé ou une clavette reliée à une pièce mobile de l'outil électrique peut causer une blessure.
- **Ne pas trop se pencher vers l'avant. Toujours se tenir bien campé et en équilibre.** Cela permet de mieux contrôler l'outil électrique lors d'un imprévu.
- **S'habiller de façon appropriée. Ne jamais porter des vêtements amples ou des bijoux. Garder les cheveux et les vêtements loin des pièces mobiles.** Les vêtements amples, bijoux et cheveux longs peuvent se prendre dans les pièces en mouvement.
- **Si des dispositifs sont fournis pour raccorder des systèmes de collecte et d'extraction de la poussière, s'assurer que ceux-ci sont utilisés et correctement branchés.** L'utilisation de dépoussiéreurs peut réduire les risques associés à la poussière.
- **Ne pas laisser la parfaite connaissance de l'outil acquise en raison de l'utilisation fréquente de ce dernier engendrer la complaisance et le non respect des principes de sécurité relatifs à l'outil.** Une négligence peut provoquer de graves blessures en une fraction de seconde.

Utilisation et entretien des outils électriques

- **Ne pas forcer sur l'outil électrique. Utiliser l'outil électrique qui convient au travail à effectuer.** De cette façon, le résultat sera meilleur et le travail sera effectué de façon plus sécuritaire et au régime pour lequel l'outil électrique a été conçu.
- **Ne pas utiliser l'outil électrique si l'interrupteur ne permet pas la mise sous tension et l'arrêt de l'outil.** Tout outil électrique dont l'interrupteur est défectueux représente un danger et doit être réparé.
- **Débrancher la fiche de la source d'alimentation ou retirer le bloc de batteries de l'outil électrique avant de procéder aux réglages, de changer les accessoires ou de ranger l'outil.** Ces mesures de sécurité réduisent le risque de mise sous tension accidentelle.
- **Ranger les outils électriques hors de la portée des enfants et ne pas laisser des personnes qui ne connaissent pas l'outil ou les présentes consignes utiliser celui-ci.** Les outils électriques représentent un danger lorsqu'ils sont entre les mains d'utilisateurs non formés.
- **Entretien les outils électriques et les accessoires. Vérifier l'outil à la recherche de pièces brisées, de**

mauvais alignement ou de blocage des pièces mobiles et de toute autre situation pouvant nuire au bon fonctionnement de l'outil. Si l'outil est endommagé, il faut le réparer avant de l'utiliser. De nombreux accidents sont causés par des outils mal entretenus.

- **Maintenir les outils tranchants aiguisés et propres.** Les outils tranchants correctement entretenus dont les bords de coupe sont bien affûtés sont moins susceptibles de se coincer et plus faciles à contrôler.
- **Utiliser l'outil électrique, les accessoires, les forets, etc., conformément aux présentes instructions et en tenant compte des conditions de travail et de la tâche à réaliser.** L'utilisation de l'outil électrique pour des opérations autres que celles pour lesquelles il est prévu peut entraîner des dangers.
- **Garder les poignées et les surfaces de préhension sèches, propres et exemptes d'huile et de graisse.** Les poignées et les surfaces de préhension glissantes ne permettent pas de manipuler l'outil de manière sécuritaire, ni d'en conserver le contrôle lorsqu'une situation inattendue se présente.

Réparations

- **Faire entretenir votre outil électrique par un technicien qualifié et utiliser uniquement des pièces de rechange identiques aux pièces d'origine.** L'entretien adéquat de l'outil permet une utilisation plus sécuritaire.

Avertissements de sécurité relatifs perçage au diamant

- **Lors de travaux de forage nécessitant l'utilisation d'eau, éloigner l'eau de la zone de travail de l'opérateur ou utiliser un dispositif de récupération des liquides.** Ces mesures de précaution permettent de maintenir la zone de travail de l'opérateur sèche et de réduire le risque d'électrocution.
- **Tenir l'outil électrique par les surfaces de préhension isolées, lors de l'exécution d'une opération où l'accessoire de coupe risque d'entrer en contact avec un câblage caché ou son propre cordon.** Si l'accessoire de coupe entre en contact avec un câble sous tension, les parties métalliques non isolées de l'outil électrique pourraient agir comme conducteur et électrocuter l'utilisateur.
- **Porter une protection auditive lors du forage au diamant.** L'exposition au bruit peut provoquer une perte d'audition.
- **Lorsque le foret est bloqué, arrêter d'exercer une pression vers le bas et éteindre l'outil.** Vérifier et prendre des mesures correctives pour éliminer la cause du blocage du foret.
- **Lors du redémarrage d'un foret diamanté dans la pièce à usiner, vérifier que le foret tourne librement avant de démarrer.** Si le foret est coincé, il risque de ne pas démarrer, de surcharger l'outil ou de provoquer le dégagement de la perceuse au diamant de la pièce.

- **Lors de l'assujettissement du support de forage à la pièce à usiner à l'aide d'ancrages et de fixations, s'assurer que le mode d'ancrage utilisé est capable de maintenir et de retenir la machine pendant son utilisation.** Si la pièce à usiner est faible ou poreuse, l'ancrage peut se dégager et entraîner le détachement du support de la pièce à usiner.
- **Lors du perçage de murs ou de plafonds, s'assurer de protéger les personnes et la zone de travail de l'autre côté.** Le foret peut traverser le trou ou le noyau peut tomber de l'autre côté.
- **Lors du forage en hauteur, toujours utiliser le dispositif de récupération des liquides prescrit dans les instructions. Ne pas laisser l'eau s'écouler dans l'outil.** L'infiltration d'eau dans un outil électrique augmente le risque d'électrocution.

Consignes générales de sécurité



AVERTISSEMENT: Lire les messages d'avertissement qui suivent avant d'utiliser l'outil.

- Ce produit est un outil dangereux s'il est utilisé de façon insouciant ou inappropriée. Cet outil peut causer des blessures graves, ou même mortelles, à l'utilisateur et à d'autres personnes. Il est obligatoire de lire et de comprendre le contenu de ce manuel d'utilisation avant d'utiliser l'outil.
- Conserver tous les avertissements et toutes les instructions.
- Se conformer à toutes les lois et réglementations en vigueur.
- L'utilisateur et l'employeur de l'utilisateur doivent connaître et prévenir les risques liés à l'utilisation du produit.
- Ne pas laisser une personne utiliser le produit à moins qu'elle a lu et compris le contenu de ce manuel d'utilisation.
- Ne pas faire fonctionner le produit sans avoir reçu une formation relative à son fonctionnement. S'assurer que tous les utilisateurs reçoivent une formation.
- Ne pas laisser un enfant utiliser l'outil.
- Seules les personnes autorisées peuvent utiliser le produit.
- L'utilisateur est responsable des accidents survenus à d'autres personnes ou à leurs biens.
- Ne pas utiliser le produit en cas de fatigue ou sous l'emprise de l'alcool, de drogues ou de médicaments.
- Toujours rester prudent et faire preuve de bon sens.
- Ce produit génère un champ électromagnétique pendant le fonctionnement. Ce champ magnétique peut, dans certains cas, nuire aux implants médicaux actifs ou passifs. Pour réduire le risque de blessures graves ou mortelles, il est recommandé aux personnes ayant des implants médicaux de

consulter leur médecin et le fabricant de l'implant médical avant d'utiliser le produit.

- Toujours garder le produit propre. S'assurer de pouvoir lire clairement les signes et les autocollants.
- Ne pas utiliser le produit s'il est défectueux.
- Ne pas modifier ce produit.
- Ne pas utiliser le produit s'il est possible que d'autres personnes aient apporté des modifications à celui-ci.

Toujours faire preuve de bon sens.



AVERTISSEMENT: Il ne faut en aucun cas modifier la conception originale de la machine sans l'approbation du fabricant. Toujours utiliser des pièces de rechange d'origine. Les modifications et/ou les accessoires non autorisés peuvent entraîner des blessures graves ou la mort de l'utilisateur ou d'autres personnes.



AVERTISSEMENT: Les outils servant à poncer ou former des matériaux (couteaux, meules, perceuses, etc.) peuvent produire de la poussière et des vapeurs contenant des produits chimiques dangereux. Vérifier le type de matériau avec lequel vous devez travailler et utiliser un masque filtrant approprié.

Il n'est pas possible de couvrir toutes les situations imaginables auxquelles vous pourriez faire face quand vous utilisez une machine de forage. Toujours faire preuve d'attention et de bon sens. Éviter toutes les situations qui vous semblent difficiles. En cas d'incertitude au sujet des procédures d'utilisation après avoir lu ces instructions, consulter un expert avant de continuer. N'hésitez pas à communiquer avec votre concessionnaire ou nous si vous avez des questions supplémentaires sur l'utilisation de la machine de forage. Nous sommes à votre disposition et nous vous fournirons des conseils et de l'aide sur l'utilisation efficace et sécuritaire de votre machine de forage.

N'hésitez pas à communiquer avec votre concessionnaire si vous avez des questions supplémentaires sur l'utilisation de la machine. Nous sommes à votre disposition et nous vous fournirons des conseils et de l'aide sur l'utilisation efficace et sécuritaire de votre machine.

Demander à son concessionnaire Husqvarna de vérifier régulièrement la machine de forage et d'y apporter les réglages et les réparations nécessaires.

Husqvarna Construction Products a mis en place une politique de perfectionnement continu des produits. Husqvarna se réserve le droit de modifier la conception et l'apparence des produits sans préavis et sans obligation supplémentaire d'apporter des modifications à la conception.

Tous les renseignements et toutes les données contenus dans le manuel d'utilisation étaient pertinents au moment où celui-ci a été envoyé à l'impression.

Consignes de sécurité pour l'utilisation



AVERTISSEMENT: Lire les messages d'avertissement qui suivent avant d'utiliser l'appareil.

- Ne pas utiliser l'outil s'il n'est pas possible d'obtenir de l'aide en cas d'accident.
- Ne pas utiliser l'outil par mauvais temps (brouillard, pluie, vents violents, froid intense autres conditions semblables). Les conditions de travail peuvent devenir dangereuses (par ex. surfaces glissantes) à cause des intempéries.
- Rester à l'affût des personnes, des objets et des situations susceptibles d'entraver l'utilisation sécuritaire du produit.
- Lorsque le foret est orienté vers le haut pendant l'utilisation, toujours utiliser un récipient adapté pour recueillir l'eau.
- Toujours fixer le produit sur un support de forage adéquat avant l'utilisation. Se reporter à la section *Montage du produit sur un support de forage à la page 39*.
- S'assurer de toujours être en mesure d'arrêter rapidement le moteur en cas d'urgence.
- S'assurer qu'aucun tuyau ou câble électrique ne se trouve dans la zone où le trou sera percé.
- Si le produit ne fonctionne pas correctement, arrêter le moteur.
- S'assurer d'être dans une position stable et sécuritaire au cours du travail.
- Se tenir à l'écart du foret quand le moteur tourne.
- Ne pas s'éloigner du produit lorsque le moteur est sous tension.
- Toujours débrancher le cordon d'alimentation avant de s'éloigner du produit.
- Garder toutes les pièces en bon état d'utilisation et s'assurer que toutes les fixations sont correctement serrées.
- Si le produit se met à vibrer ou si son niveau sonore est anormalement élevé, arrêter immédiatement le produit. Examiner le produit pour détecter d'éventuels dommages. Réparer les dommages ou laisser un atelier spécialisé faire la réparation.
- Toujours utiliser des accessoires approuvés. Pour obtenir de plus amples renseignements, communiquer avec votre concessionnaire.

Rallonges

- Utiliser uniquement des rallonges approuvées d'une longueur suffisante.
- La valeur nominale inscrite sur la rallonge doit être identique ou supérieure à celle indiquée sur la plaque signalétique du produit.
- Utiliser des rallonges mises à la terre.

- Quand le produit est utilisé à l'extérieur, se servir d'une rallonge qui convient à un fonctionnement à l'extérieur. Cela réduit le risque de choc électrique.
- Maintenir la connexion à la rallonge au sec et éloignée du sol.
- Tenir la rallonge à l'écart de la chaleur, de l'huile, des bords tranchants et des pièces mobiles. Un câble endommagé augmente le risque de choc électrique.
- S'assurer que la rallonge est en bon état et qu'elle n'est pas endommagée.
- Ne pas utiliser la rallonge quand elle est enroulée. Elle pourrait surchauffer.
- Pendant l'utilisation, s'assurer que la rallonge se trouve derrière l'utilisateur et le produit. Cela évite d'endommager la rallonge.

Équipement de protection personnelle



AVERTISSEMENT: Lire les messages d'avertissement qui suivent avant d'utiliser l'appareil.

- Toujours utiliser un équipement de protection personnelle homologué lors de l'utilisation de l'outil. Cet équipement de protection personnelle n'élimine pas complètement les risques de blessures, mais il peut en réduire la gravité en cas d'accident. Le revendeur aidera l'utilisateur à sélectionner l'équipement adéquat.
- Vérifier régulièrement l'état de l'équipement de protection personnelle.
- Porter un casque de protection approuvé.
- Porter un dispositif de protection homologué pour les oreilles.
- Utiliser un dispositif de protection respiratoire homologué.
- Porter un dispositif de protection pour les yeux homologué avec écrans latéraux.
- Porter des gants de protection.
- Utiliser des bottes à embout en acier et semelles antidérapantes.
- Porter des vêtements de travail homologués ou des vêtements ajustés équivalents avec des manches longues et des pantalons.

Extincteur

- Garder un extincteur à proximité pendant le sciage.
- Utiliser un extincteur à poudre de classe « ABE » ou un extincteur au dioxyde de carbone de type « BE ».

Dispositifs de sécurité sur l'outil



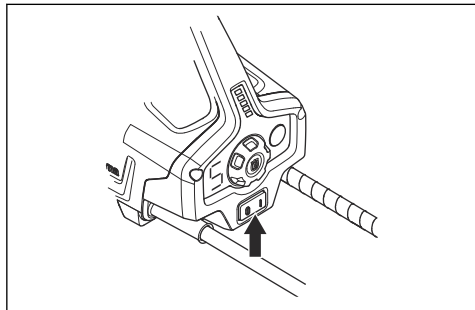
AVERTISSEMENT: Lire les messages d'avertissement qui suivent avant d'utiliser l'outil.

- Ne pas utiliser un outil dont les dispositifs de protection sont défectueux.

- Vérifier régulièrement les dispositifs de sécurité. Si les dispositifs de sécurité sont défectueux, parler à votre agent d'entretien Husqvarna.

Interrupteur ON/OFF (Marche-Arrêt)

L'interrupteur ON/OFF (Marche-Arrêt) sert à démarrer et à arrêter le produit.



Vérification de l'interrupteur ON/OFF (Marche-Arrêt)

1. Brancher le produit à la source d'alimentation.
2. Régler l'interrupteur de marche/arrêt à la position « 1 » pour démarrer le produit.
3. Régler l'interrupteur de marche/arrêt à la position « 0 » et s'assurer que le produit s'arrête.

Embrayage à friction

L'embrayage à friction est intégré à la boîte de vitesses du produit. Il évite d'endommager le produit si le foret s'arrête pendant le fonctionnement. Si la charge est trop élevée, l'embrayage à friction est relâché et arrête la tige de forage, mais le moteur continue de tourner pendant

quelques secondes. L'embrayage à friction s'engage à nouveau si la charge diminue, et l'utilisation peut se poursuivre. Si le foret est coincé dans le matériau et s'arrête complètement, l'embrayage à friction arrête immédiatement le moteur.



MISE EN GARDE : S'assurer que le temps de relâchement de l'embrayage n'est pas supérieur à 3 ou 4 secondes; autrement, la chaleur augmente rapidement.

Consignes de sécurité pour la maintenance



AVERTISSEMENT : Lire les messages d'avertissement qui suivent avant d'utiliser l'outil.

- Arrêter le produit et débrancher la source d'alimentation avant de procéder à l'entretien.
- Utiliser de l'équipement de protection individuelle.
- Garder toutes les pièces en bon état d'utilisation et s'assurer que toutes les fixations sont correctement serrées.
- Effectuer les vérifications de sécurité, de maintenance et d'entretien conformément aux instructions fournies dans ce manuel. Tous les autres travaux d'entretien doivent être effectués par un agent d'entretien agréé.
- S'il est nécessaire de remplacer la rallonge ou le branchement électrique, ce remplacement doit être effectué par un atelier d'entretien agréé.
- Effectuer la maintenance pour s'assurer que le produit fonctionne de façon adéquate. Se reporter à la section *Calendrier d'entretien à la page 43*.
- Ne pas utiliser un produit endommagé.

Montage

Introduction



AVERTISSEMENT : Lire et comprendre le chapitre sur la sécurité avant d'assembler le produit.



AVERTISSEMENT : Pour éviter tout risque de blessure, débrancher le cordon d'alimentation et retirer le foret avant le montage.

Montage du produit sur un support de forage

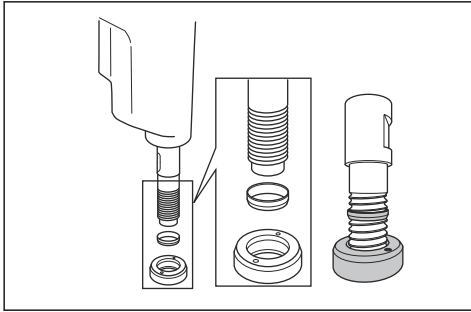


MISE EN GARDE : Lire attentivement le manuel d'utilisation du support de forage.

- Pour monter le produit sur un support de forage, se reporter au manuel de ce dernier.
- Utiliser uniquement avec des supports de forage Husqvarna approuvés. Se reporter à la section *Supports de forage convenables à la page 48*.

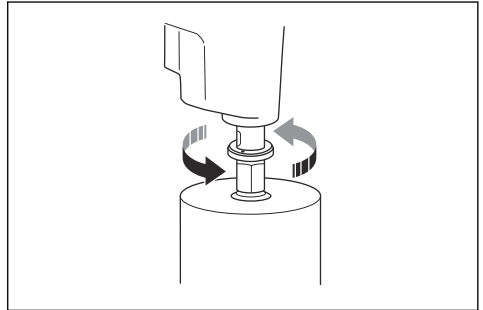
Installation d'un foret

1. Installer la bague de friction fournie sur l'arbre de tige.



Remarque : La bague de friction empêche d'endommager l'arbre de tige et la boîte de vitesses lors du retrait du foret.

2. Faire tourner le foret dans le sens inverse des aiguilles d'une montre pour l'installer. Le serrer complètement.



Fonctionnement

Avant d'utiliser le produit

1. Lire attentivement le manuel d'utilisation et veiller à bien comprendre les directives.
2. Lire attentivement le manuel d'utilisation du support de forage et veiller à bien comprendre les directives.
3. Utiliser de l'équipement de protection individuelle. Se reporter à la section *Équipement de protection personnelle à la page 38*.
4. Effectuer l'entretien quotidien. Se reporter à la section *Calendrier d'entretien à la page 43*.
5. S'assurer que seules les personnes autorisées se trouvent dans la zone de travail.
6. S'assurer que le produit est correctement monté et qu'il n'est pas endommagé. Le foret et le support de forage doivent être correctement fixés.
7. S'assurer que le circuit d'eau n'est pas endommagé et qu'il est raccordé au produit.

Raccordement et ouverture de l'alimentation en eau



MISE EN GARDE : S'assurer que la pression d'eau maximale n'est pas trop élevée. Se reporter à #.

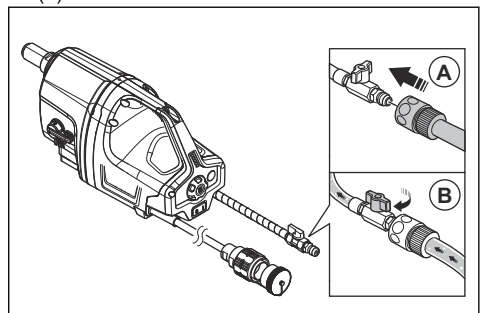


MISE EN GARDE : Utiliser uniquement de l'eau propre pour éviter que de la saleté provoque un blocage dans le circuit d'eau.



MISE EN GARDE : Utiliser uniquement un raccord d'alimentation en eau approuvé. Pour obtenir de plus amples renseignements, communiquer avec votre concessionnaire.

1. Raccorder le robinet à bille à l'alimentation en eau (A).



2. Ouvrir le circuit d'eau (B). Régler la pression d'eau pour retirer tous les déchets du trou de forage.

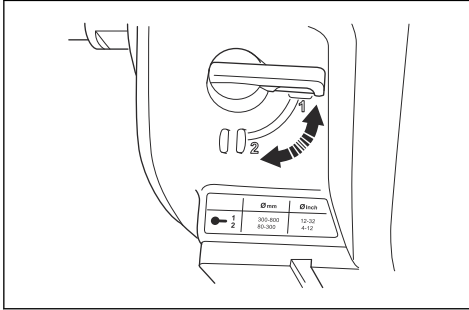
Mise sous tension de l'appareil



AVERTISSEMENT: S'assurer que le foret tourne librement. Il commence à tourner lorsque le moteur démarre.

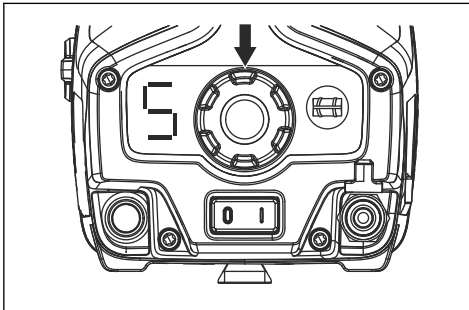
1. Brancher le produit à un bloc d'alimentation adéquat.
2. Brancher le bloc d'alimentation dans une prise secteur.

- Pour régler la vitesse de fonctionnement, tourner la tige de forage et déplacer simultanément le sélecteur de vitesse. Régler le sélecteur de vitesse à la position correcte pour l'utilisation prévue.

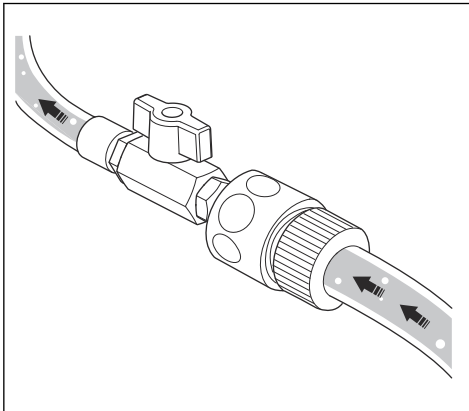


MISE EN GARDE : Ne pas déplacer le sélecteur de rapports mécaniques lorsque le produit est en marche. La boîte de vitesses risque d'être endommagée.

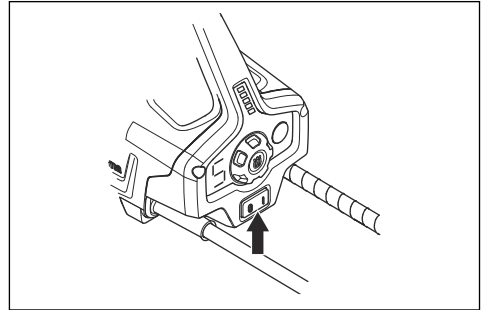
- Tourner le sélecteur de rapports électroniques pour sélectionner la vitesse applicable à l'opération. Se reporter à *Diamètres de foret recommandés à la page 46*.



- S'assurer que le circuit d'eau n'est pas bouché.



- Régler l'interrupteur de marche/arrêt à la position « 1 ».



Utilisation du produit



AVERTISSEMENT : Si le DDFT s'engage, retirer le foret du trou avant d'appuyer sur « RESET » (réinitialisation).



AVERTISSEMENT : Des accidents dangereux peuvent survenir si le noyau de béton reste coincé dans le foret lorsqu'on retire celui-ci du trou.



MISE EN GARDE : S'assurer qu'aucun objet ne touche le foret.



MISE EN GARDE : Ne pas utiliser plus de force que nécessaire. Cela ralentit le fonctionnement et provoque une surcharge du moteur.

- Démarrer le moteur. Se reporter à la section *Mise sous tension de l'appareil à la page 40*.
- Laisser la vitesse du moteur augmenter jusqu'à la vitesse maximale avant que le foret ne touche à la surface.
- Pousser le foret dans la surface à l'aide du levier d'alimentation.
- En cas de forage dans une armature de fer, utiliser une pression initiale plus élevée et une vitesse inférieure par rapport à un forage sans armature de fer.
- Exercer une très faible pression au départ afin de maintenir le foret dans la position correcte.
- Pendant le perçage, s'assurer que l'eau élimine tous les déchets du trou de perçage. Au besoin, régler la pression d'eau.
- Couper le moteur. Se reporter à la section *Arrêt de la machine à la page 42*.

Indicateur de charge

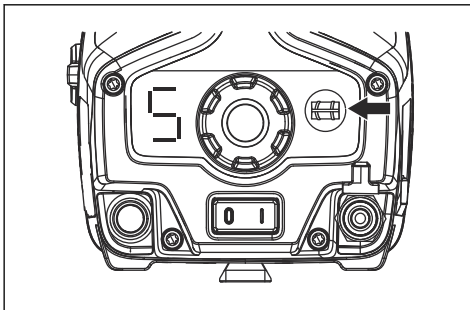


MISE EN GARDE : Ne pas surcharger le produit à plusieurs reprises, car cela pourrait

l'endommager. L'indicateur de charge indique la puissance de sortie, ce qui ne correspond pas toujours à la meilleure recommandation d'utilisation.

Témoins à DEL	Causes	Procédure possible
1 DEL verte.	Le produit est branché au bloc d'alimentation et peut être utilisé. La puissance de sortie est inférieure à 70 % de la puissance disponible pendant le fonctionnement.	Aucune procédure n'est nécessaire.
2 DEL vertes.	La puissance de sortie se situe entre 70 % et 90 % de la puissance disponible pendant le fonctionnement.	
3 DEL vertes.	La puissance de sortie est supérieure à 90 % de la puissance disponible.	Aucune procédure n'est nécessaire.
3 DEL vertes et 1 DEL jaune.	Puissance de sortie max.	Aucune procédure n'est nécessaire.
3 DEL vertes, 1 DEL jaune, 1 DEL rouge.	Le produit risque de surchauffer.	Réduire la charge ou la température du moteur et du bloc d'alimentation.
Toutes les DEL sont allumées ou clignotent.	Le produit est trop chaud et peut s'arrêter brusquement. ³ La puissance maximale disponible est automatiquement réduite pour éviter la surchauffe et l'arrêt automatique du produit.	Réduire la charge ou la température du moteur et du bloc d'alimentation.
		Augmenter la quantité d'eau ou utiliser de l'eau plus froide pour réduire la température du moteur.
		Pour réduire la température du bloc d'alimentation, remplacer le filtre à air ou placer le bloc d'alimentation dans une température ambiante plus basse.

Bouton pour le fer



La fonction du bouton pour le fer réduit la vitesse de fonctionnement pour faciliter la coupe de matériaux durs, par exemple les barres d'armature.

La vitesse réduite peut également servir à faciliter le passage du foret dans la surface d'autres matériaux. Pour un rendement optimal, désactiver la fonction du bouton pour le fer lorsque le foret a traversé la surface et percer le trou à vitesse normale.

Lorsque le voyant du rapport électronique clignote, la fonction du bouton pour le fer est activée.

Arrêt de la machine

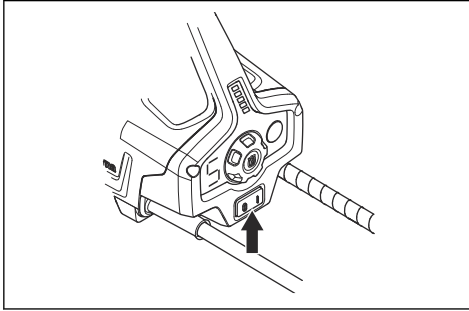


AVERTISSEMENT: Le foret continue de tourner pendant un moment après l'arrêt du moteur. Ne pas arrêter le foret avec les mains. Des blessures peuvent survenir.

1. Laisser le produit fonctionner sans charge pendant 2 à 3 minutes. Le circuit d'eau diminue la température du moteur.

³ Si le produit s'arrête en raison d'une surchauffe, les DEL continuent de clignoter jusqu'à ce que le produit ait refroidi et qu'il puisse être redémarré.

- Régler l'interrupteur de marche/arrêt à la position « 0 ».



- Attendre que le foret s'arrête complètement.
- Fermer l'alimentation en eau.
- Débrancher le produit de la source d'alimentation.

Remplacement du foret



AVERTISSEMENT: Débrancher la fiche de la prise secteur avant de remplacer le foret.



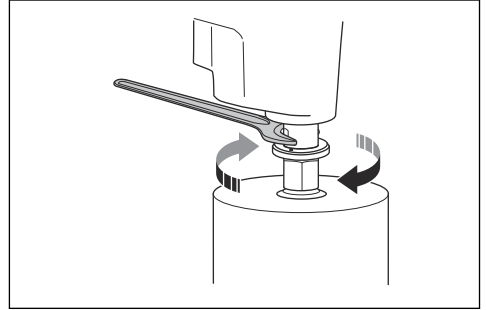
AVERTISSEMENT: Porter des gants de protection. Laisser le produit refroidir avant de retirer le foret. Le foret et la zone adjacente sont très chauds après l'utilisation.



AVERTISSEMENT: Utiliser uniquement des forets diamantés approuvés pour le produit. Pour obtenir de plus amples renseignements, communiquer avec son détaillant Husqvarna.

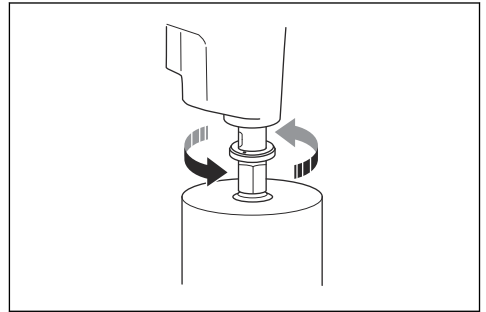
- S'assurer d'avoir un foret neuf, la clé fournie et de la graisse imperméable.

- Bloquer l'arbre de tige à l'aide de la clé.
- Faire tourner le foret dans le sens des aiguilles d'une montre pour le retirer.



MISE EN GARDE : Ne pas frapper le produit pour retirer le foret. Il existe un risque d'endommager la boîte de vitesses et le support de forage.

- Lubrifier les filets de l'arbre de tige avec de la graisse imperméable.
- Faire tourner le foret dans le sens inverse des aiguilles d'une montre pour l'installer. Le serrer complètement.



Entretien

Introduction



AVERTISSEMENT: Lire et comprendre le chapitre sur la sécurité avant de faire l'entretien du produit.



AVERTISSEMENT: Pour éviter tout risque de blessure, débrancher le cordon

d'alimentation avant de procéder à l'entretien.

Calendrier d'entretien

* = Entretien général effectué par l'opérateur. Les instructions ne sont pas décrites dans ce manuel de l'opérateur.

X = Les indications sont décrites dans ce manuel de l'opérateur.

Entretien	Avant chaque usage	Après chaque usage	Toutes les 300 h
S'assurer que les vis et écrous sont bien serrés.	*		

Entretien	Avant chaque usage	Après chaque usage	Toutes les 300 h
S'assurer que l'interrupteur de marche/arrêt fonctionne correctement. Se reporter à la section <i>Vérification de l'interrupteur ON/OFF (Marche-Arrêt) à la page 39.</i>	X		
Nettoyer les surfaces externes du produit.	X	X	
S'assurer qu'il n'y a pas de graisse ou d'huile sur la poignée.	*	*	
Vérifier que le cordon d'alimentation et le branchement au bloc d'alimentation ne sont pas endommagés.	*	*	
S'assurer que les pièces mobiles fonctionnent correctement et peuvent se déplacer librement.	*		
S'assurer que le foret est bien affûté et propre.	X		
Vidanger l'huile de la boîte de vitesses.			X
Examiner le raccord d'eau pour détecter des dommages ou des fuites d'eau.		X	

Nettoyage du produit



MISE EN GARDE : S'assurer que l'eau ne pénètre pas dans le moteur ou la boîte de vitesses.



MISE EN GARDE : Ne pas utiliser d'eau courante pour nettoyer le produit.

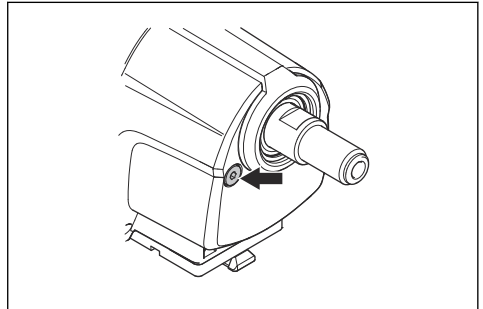
- Utiliser un chiffon sec ou humide pour nettoyer le produit.
- Enlever l'obstruction de toutes les ouvertures. L'obstruction de l'admission d'air réduit les performances du produit et peut entraîner la surchauffe du moteur.
- Nettoyer et lubrifier les filets de l'arbre de tige.

Entretien du foret diamanté

- S'assurer que les segments en diamant sont bien affûtés. Affûter les segments en diamant émoussés avec une pierre à affûter SiC.
- S'assurer que le foret ne vibre pas. Si le foret vibre, les segments en diamant peuvent se desserrer.
- S'assurer que les segments en diamant sont suffisamment plus grands que le diamètre intérieur et extérieur du tube de foret.
- Lubrifier les filets du foret avec de la graisse résistante à l'eau. Cela facilite le desserrage de l'outil.
- S'assurer que le voile radial au niveau des segments en diamant du foret n'est pas supérieur à 1 mm.

Vidanger l'huile de boîte de vitesses.

1. Retirer le bouchon de vidange d'huile.



2. Laisser l'huile de la boîte de vitesses s'écouler dans un récipient.



MISE EN GARDE : Mettre au rebut l'huile usée à un emplacement adéquat.

3. Si nécessaire, laisser un centre de service Husqvarna agréé nettoyer la boîte de vitesses.
4. Remplir la boîte de vitesses avec de l'huile neuve. Se reporter à la section # pour connaître la quantité et le type d'huile appropriés.
5. Nettoyer le bouchon de vidange d'huile. Le bouchon de vidange d'huile est doté d'un aimant qui retient les particules métalliques.
6. Installer le bouchon de vidange d'huile.

Vérification du raccord d'eau

les joints d'étanchéité d'arbre doivent être remplacés immédiatement.



MISE EN GARDE : En cas de fuite d'eau au niveau de la bague de raccordement d'eau,

- Laisser un centre de service Husqvarna agréé réparer le raccord d'eau.
-

Transport et entreposage

- Garder le produit dans un endroit verrouillé hors de portée des enfants et des personnes non autorisées.
- Conserver le produit dans un endroit sec à l'abri du gel.
- Retirer le foret avant de transporter ou d'entreposer le produit. Cela permet d'éviter d'endommager le produit et les forêts.
- Immobiliser le produit en sécurité pendant le transport pour éviter tout dommage ou accident.

Données techniques

Données techniques

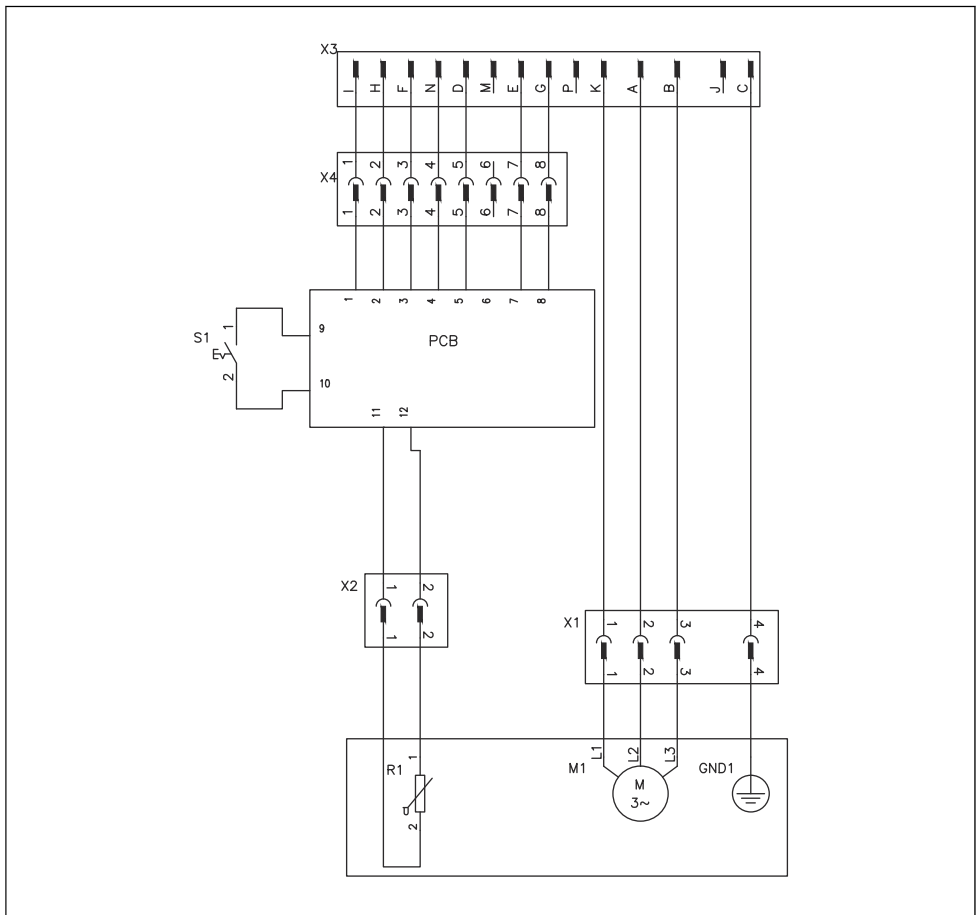
Moteur	
Moteur électrique	Haute fréquence (HF)
Puissance max. à la tige, kW	6
Poids, kg/lb	13,6/29,9
Huile pour boîte de vitesses	
Type	Q8 T 65 SAE 75W-90
Capacité, l/pintes	1,0/1,06
Foret	
Diamètre max. recommandé, mm/pouces	600/24
Diamètre min. recommandé, mm/pouces	100/4
Filets de la tige	G 1 ¼ po
Refroidissement à l'eau	
Pression d'eau min. et max., bar / lb/po ²	0,5-8/7,2-116
Débit d'eau min. recommandé à une température d'eau de 15 °C, l/min	0,5
Raccord d'eau	G ¼ po

Diamètres de foret recommandés

Rapport mécanique	Rapport électronique	Vitesse, tr/min	Diamètre de foret, mm/po.
1	1	125	600/24
1	2	139	500/20
1	3	156	450/18
1	4	175	400/16
1	5	196	350/14
1	6	220	300/12
1	7	247	250/10
1	8	278	225/9
1	9	310	200/8
2	1	270	250/10
2	2	299	225/9

Rapport mécanique	Rapport électronique	Vitesse, tr/min	Diamètre de foret, mm/po.
2	3	336	200/8
2	4	377	176/7
2	5	423	150/6
2	6	475	125/5
2	7	534	100/4
2	8	599	90/3,5
2	9	675	80/3

Schéma de câblage



Accessoires

Supports de forage convenables

Le produit convient à ces supports de forage Husqvarna suivants :

- DS500, recommandé pour les forets d'un diamètre maximal de 400 mm.
- DS900, recommandé pour les forets d'un diamètre de 400 à 600 mm.

Service

Centre de service agréé

Pour trouver le centre de service approuvé Husqvarna Construction Products le plus près, consulter le site Web www.husqvarnacp.com.



www.husqvarnacp.com

Original instructions
Instrucciones originales
Instructions d'origine

1142110-49



2019-10-21