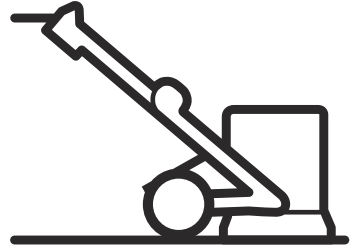




Husqvarna®



PG 510

EN	Operator's manual
DE	Bedienungsanweisung
FR	Manuel d'utilisation
NL	Gebruiksaanwijzing

2-21
22-40
41-59
60-78

Contents

Introduction.....	2	Troubleshooting.....	15
Safety.....	4	Transportation and storage.....	16
Operation.....	8	Technical data.....	18
Maintenance.....	14	Declaration of Conformity.....	20

Introduction

Product description

The product is a power grinder for concrete surfaces of different hardness. The grind range is from rough surfaces through to smoother finish.

For example, the product has these functions:

- A frame that can be folded for easier transport.
- A grinding head cover that adjusts the movement to the surface layer.
- The grinding head has 3 grinding discs. Full set is with 6 segments on each grinding disc.
- Resin holder, a holder for plastic bonded diamond tools.

- Available in 1- or 3-phase.
- A grind width of 515 mm.

Intended use

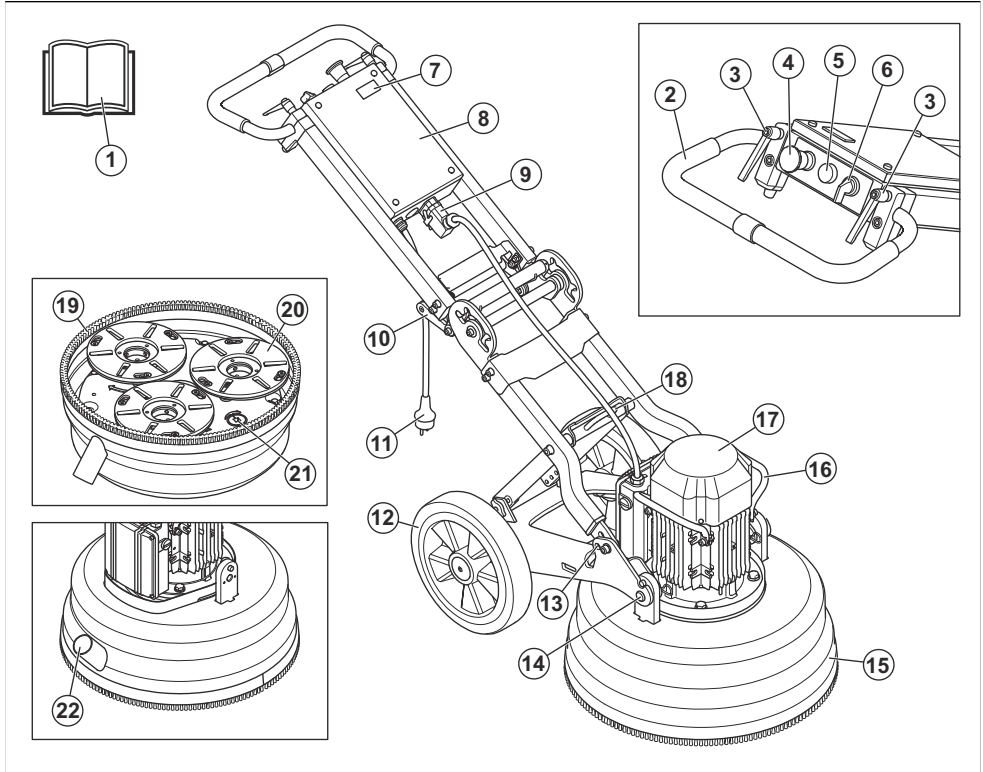
Use the product to grind concrete surfaces with different hardness such as terazzo and stone tiles.

The product is used for light commercial operations at private properties and small commercial spaces.



WARNING: Do not use the product for other tasks.

Product overview



- 1. Operator's manual
- 2. Handle/Handlebar
- 3. Lock knobs for handlebar adjustment
- 4. Emergency stop
- 5. Overload lamp
- 6. ON/OFF switch
- 7. Hour meter
- 8. Electrical enclosure
- 9. Connection for motor cable
- 10. Angle joint handle
- 11. Power plug
- 12. Rubber wheels
- 13. Lock function
- 14. Lock bolt to attach the motor/grinding head
- 15. Grinding head cover
- 16. Lift handle, motor
- 17. Electric motor
- 18. Lifting eye
- 19. Brush strip
- 20. Tool plate - 3 grinding discs

- 21. Bottom/lower plate - grinding head
- 22. Connection, vacuum hose

Symbols on the product



WARNING: Not careful or incorrect use can result in injury or death to the operator or others.



Read the manual carefully and make sure that you understand the instructions before you use the product.



Always put on hearing protection, eye protection and breathing protection.



WARNING! The dust can cause breathing problems. Use breathing protection. Do

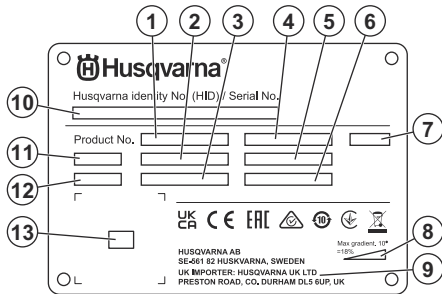
not breathe exhaust fumes. Always make sure that there is good airflow.



This product is in compliance with applicable EC directives.

Note: Other symbols/decals on the product refer to special certification requirements for some markets.

Rating plate



1. Product number

2. Product weight
3. Rated power
4. Rated voltage
5. Rated current
6. Frequency
7. Enclosure
8. Maximum slope angle
9. Manufacturer/Importer
10. Serial number
11. Model
12. Production year
13. Scannable code

Product liability

As referred to in the product liability laws, we are not liable for damages that our product causes if:

- the product is incorrectly repaired.
- the product is repaired with parts that are not from the manufacturer or not approved by the manufacturer.
- the product has an accessory that is not from the manufacturer or not approved by the manufacturer.
- the product is not repaired at an approved service center or by an approved authority.

Safety

Safety definitions

Warnings, cautions and notes are used to point out specially important parts of the manual.



WARNING: Used if there is a risk of injury or death for the operator or bystanders if the instructions in the manual are not obeyed.



CAUTION: Used if there is a risk of damage to the product, other materials or the adjacent area if the instructions in the manual are not obeyed.

Note: Used to give more information that is necessary in a given situation.

General safety instructions



WARNING: Read the warning instructions that follow before you use the product. Save all warnings and instructions. Refer to the warnings and instructions for future work, if it is necessary.

- The safety section gives basic directions on how to use the product correctly. This information is not an alternative for professional knowledge and experience. If you are in a situation where you do not feel safe, stop and get professional support. Speak to your dealer, service agent or an operator with experience. Do not try a task where you do not feel sure.
- Keep work area clean and bright, this will decrease the risk of accidents.

Safety instructions for operation



WARNING: Read the warning instructions that follow before you use the product. Save all warnings and instructions for future operations.



WARNING: Overexposure to vibration can cause circulatory damage or nerve damage to persons with decreased blood circulation. Get medical aid if you have symptoms of overexposure to vibration. These symptoms include numbness, loss of feeling, tingling, pricking, pain, loss of strength, changes in skin color or condition. These symptoms usually show in the fingers, hands or wrists.

- Only use the product for operations that are given in this manual. Refer to *Intended use on page 2*.
- Use personal protective equipment. Refer to *Personal protective equipment on page 5*.
- Do not go away from the product when the motor is on.
- Connect the motor cable to the electrical enclosure before you connect the plug.
- Do not let other operators use the product if they have not read and understood the contents of this operators manual.
- Only start the product with the brush strip attached. Brush strip must seal tightly to the surface, especially during dry surface operations.
- Make sure that the brush strip is not damaged and is clean. Replace damaged brush strip.
- Keep the motor on until the fan comes to a complete stop.
- Lift the grinding head if a check of the start procedure is necessary.
- Only start the product when the grinding head is put on the surface.
- Make sure that only approved persons are in the work area.
- Do not use the product in areas where fire or explosions can occur.
- Always disassemble the diamond tool after each operation.
- Make sure that the tool plate does not rotate if you lift up the product. The tool plate continues to rotate for a while after the motor stops.
- When you remove diamond tools, let the product become cool and use protective gloves. Diamond tools are very hot after use.
- Make sure to connect the product to a dust extractor for removal of the dust.
- Make sure that the product is assembled correctly.
- To lift the product always use the lifting eye of the product.
- Do not use the product if there are signs of damage.
- Only start the product when the grinding head touches the surface, unless you do a check of the ON/OFF switch.
- Only operate the product from behind with your 2 hands on the handle.
- Do not operate the product unless you receive training before use. Make sure that all operators receive training.
- Make sure that only approved persons are in the work area, because there is a risk of serious injury.
- Make sure that clothing, long hair and jewelry do not get caught in moving parts.
- Make sure that you are in a safe and stable position during operation.
- Sudden appearance of persons and animals can prevent safe operation of the product. Always

operate the product carefully and be prepared to stop the product if it is necessary.

- Do not let children use or come near the product.
- Make sure that there is always one more person near when you use the product. If an accident occurs, you can receive help when it is necessary.
- Do not operate this product when you are tired, ill, or if you use alcohol, drugs or medicine. This can decrease your vision, your judgment or your coordination.
- Do not use a product that has been changed from its factory specification.
- Always use approved accessories. Speak to your dealer for more information.

Personal protective equipment



WARNING: Read the warning instructions that follow before you use the product.

- Always use correct personal protective equipment when you operate the product. The personal protective equipment does not erase the risk of injury. The personal protective equipment decreases the grade of injury if an accident occurs. Let your dealer help you select the right equipment.
- Use approved eye protection while you operate the product.
- Do not use loose, heavy and not applicable clothing. Use clothes that let you move freely.
- Use approved protective gloves that enables a solid hold.
- Use rubber protective gloves that prevents skin irritation from wet concrete.
- Use an approved protective helmet.
- Always use approved hearing protection while you operate the product. Noise for a long period can cause noise-induced hearing loss.
- The product makes dust and fumes that contain dangerous chemicals. Use an approved breathing protection.
- Use boots with steel toe-caps and non-slip soles.
- Make sure that you have a first aid kit near.
- Sparks can occur when you operate the product. Make sure that you have a fire extinguisher near.

Electrical safety



WARNING: There is always a risk of shocks from electrical products. Do not use the product in bad weather conditions. Do not touch lightning conductors and metal objects. Always use the product as given in this operator's manual to prevent injury.



CAUTION: The product obeys the requirements in EN61000-3-11 and is a subject for conditional connection to the power mains. Speak with the supply authority for instructions on how to connect the product.

Only connect the product to the power mains with resistance lower than 0.28 Ω. Get the interface point of the system resistance from the supply authority.

If the power mains has higher system resistance, short voltage drop can occur when the product is started. This can influence the operation of other products, for example flicker on the lights.

- Make sure that the power, fuse and mains voltage are the same as the voltage shown on the rating plate of the product.
- Always stop the product before you disconnect the power plug.
- Do not use the product if the cord or plug is damaged. Hand it in to an approved service center for repair. A damaged cable can cause serious injury and death.
- Use the cord correctly. Do not use the cord to move, pull or disconnect the product. Hold the plug to disconnect the power cord.
- Do not operate the product in water depths where the equipment of the product gets wet. The equipment can be damaged and the product can become live and cause injury.
- Do not get more moisture into the product than that is supplied by the water system. Prevent rain to come in touch with the product. Water that enters a power tool increases the risk of electrical shock.
- Always have the power cord disconnected when you connect or disconnect the connection for the motor cable and the electrical enclosure.

Grounded product instructions



WARNING: Incorrect connection can result in electrical shock. Speak to an approved electrician if you are not sure if your mains outlet is correctly grounded.

Do not do modifications to the power plug from its factory specification. If the power plug or power cord is damaged or must be replaced, speak to your Husqvarna service agent. Obey local regulations and laws.

If you do not fully understand the instructions about the grounded product, speak to an approved electrician.

Use only grounded outdoor extension cables with grounding plugs and grounding outlet that accepts the product power plug.

The product has a grounded power cord and power plug. Always connect the product to a grounded mains outlet. This decreases the risk of electrical shock if there is a malfunction.

Do not use electrical adapters with the product.

Extension cables

- Use only approved extension cables with sufficient length.
- The rated value on the extension cable must be the same or higher than given on the rating plate of the product.
- Use grounded extension cables.
- When you operate the product outdoors, use an extension cable that is applicable for outdoor operation. This decreases the risk of electrical shock.
- Keep the connection to the extension cable dry and off the ground.
- Keep the extension cable away from heat, oil, sharp edges or moving parts. A damaged cable increases the risk of electrical shock.
- Make sure that the extension cable is in good condition and not damaged.
- Do not use the extension cable while it is wound up. This can cause the extension cable to become too hot.
- Make sure that the extension cable is behind you and the product when you use the product. This prevents damage to the extension cable.

Safety devices on the product

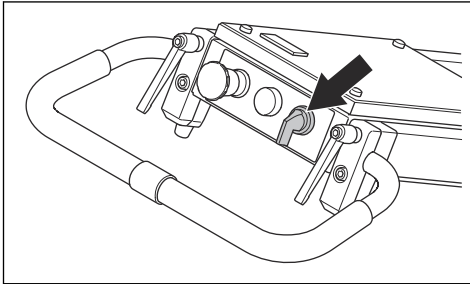


WARNING: Read the warning instructions that follow before you use the product.

- Do not use a product with defective safety devices.
- Do a check of the safety devices regularly, refer to *Daily maintenance on page 14*. If the safety devices are defective, speak to your Husqvarna approved service agent.
- Do not change the safety devices.

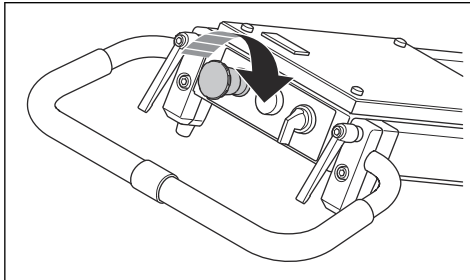
ON/OFF switch

The ON/OFF switch is used to start and stop the product.

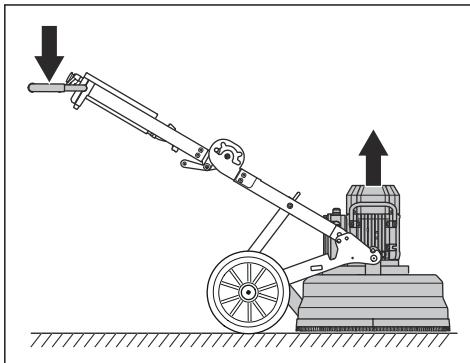


To do a check of the ON/OFF switch

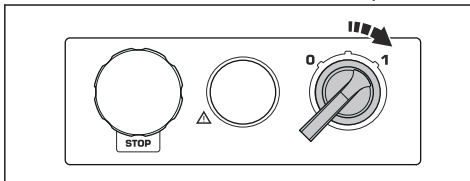
1. Turn the emergency stop button clockwise to make sure that emergency stop button is disengaged.



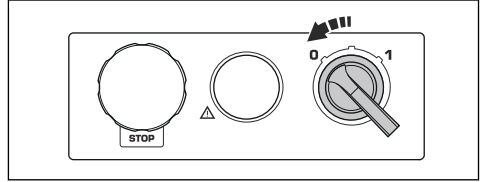
2. Push down the handle to lift the grinding head from the floor.



3. Turn the ON/OFF switch to 1 to start the product.

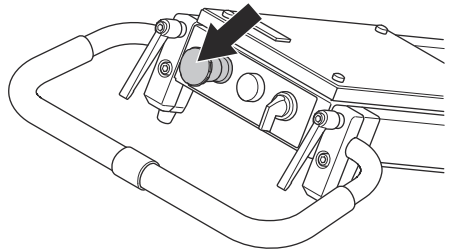


4. Wait for 5 seconds, this is to let the product operate at the idle speed.
5. Turn the ON/OFF switch to 0 to stop the product.



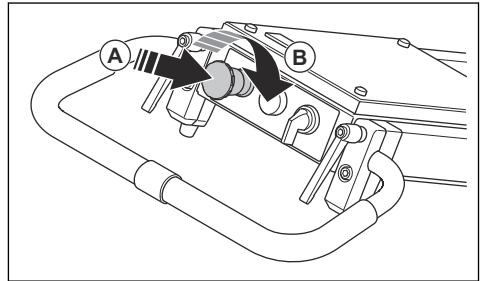
Emergency stop

The emergency stop is used to quickly stop the motor. The emergency stop at the product breaks the mains power supply.



To do a check of the emergency stop

1. Push the emergency stop button (A) and make sure that the motor stops.



2. Turn the emergency stop button clockwise (B) to disengage.

Safety instructions for maintenance

- Keep all parts in good condition and make sure that all fixtures are correctly tightened.
- Do not use a product that is defective. Do the safety checks, maintenance and the servicing as given in this manual. All other maintenance work must be done by an approved service agent.
- Stop the motor and disconnect the power plug when you replace the diamond tools.

- Do the inspection and/or maintenance with the motor stopped and the power plug disconnected.

- Do the maintenance to make sure that the product operates correctly. Refer to *Daily maintenance on page 14.*

Operation

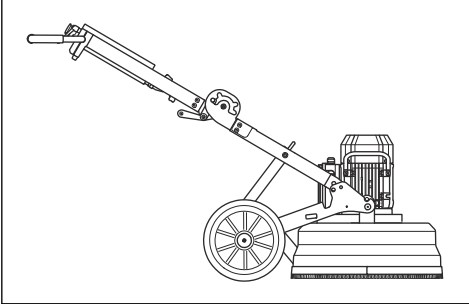
Introduction



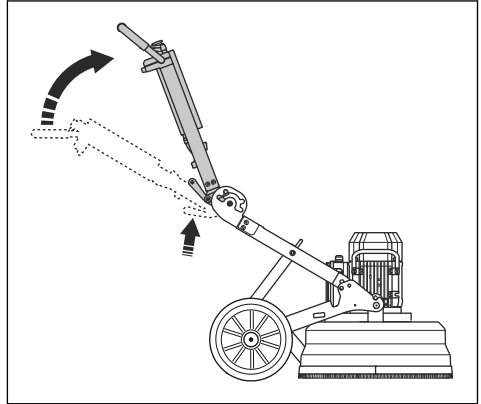
WARNING: Before you operate the product, you must read and understand the safety chapter.

Product positions

Operation position

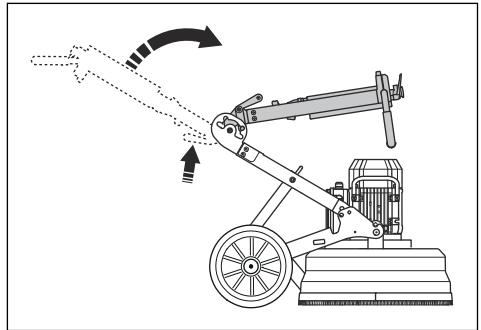


Tilted transport position



Lift transport position

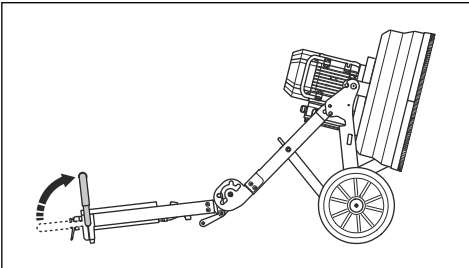
Put a protection between the motor and the electrical enclosure to prevent damage to the product.



Servicing position



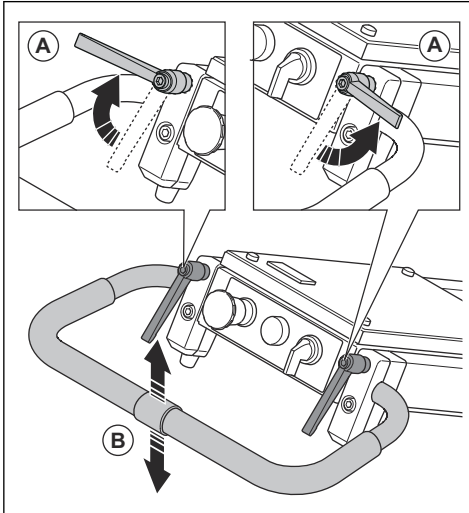
CAUTION: Only put the product in the servicing position on a horizontal surface.



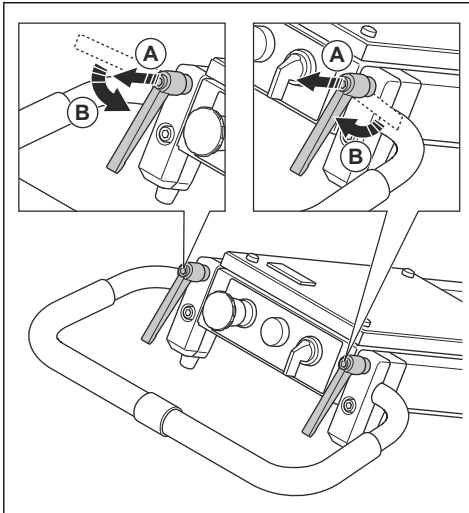
To adjust the handlebar

The handle lock knobs are operated clockwise, counterclockwise or put in idle position.

1. Loosen the lock knobs (A) and adjust the handle (B) to idle position.



2. Tighten the lock knobs to set the position.
3. When the handle position is set, pull the handle lock knobs up (A) and put them into idle position (B).

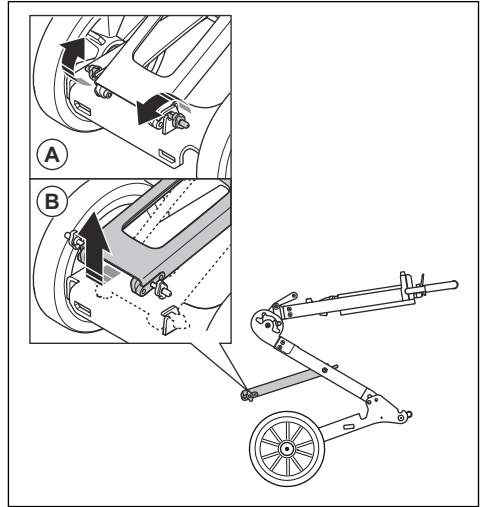


To adjust the frame height

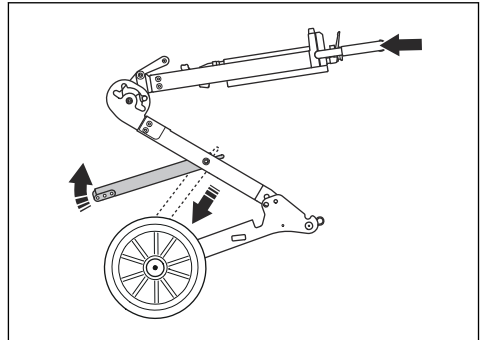
The angle of the frame can be changed to divide the weight of the chassis. This is to decrease or increase the grinding pressure against the surface.

Adjust the angle to set up a good work position for different operators.

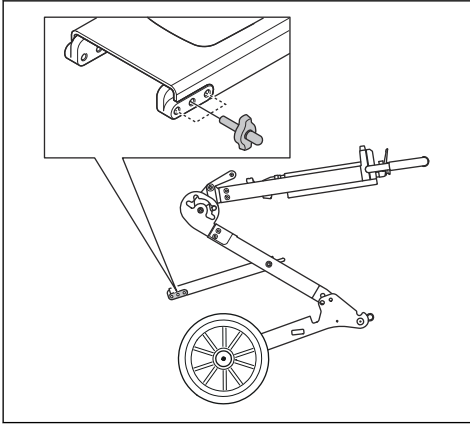
1. Remove the lock knobs (A) to loosen the support foot (B).



2. Hold the handlebar to keep the frame stable and lift the support foot out and up.



3. Select the applicable position for the operation and tighten the lock knob. The bottom hole increases the grinding pressure and the height of the handlebar. The top hole decreases the grinding pressure and the handlebar.



Handle heights

Hole position	Handle height, mm
Top	765
Center	870
Lower	960

Diamond tools

There are many types of diamond tools for the product. Speak to your approved service center or go to www.husqvarnacp.com to select correct diamond tool.

Installation of the diamond tools

The installation of the diamond tools on the tool plate has effect on the performance of the product. The diamond tool type together with the number of segments on the diamond tool is important.

Use metal bond diamond tools with 2 segments for usual grind operations, to make the surface level or light removal.

Use metal bond diamond tools with 1 diamond segment to increase the diamond tool pressure. This installation is for heavy removal with much force.

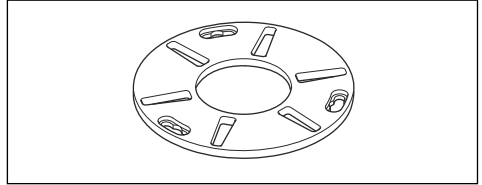
For the heaviest removal, we recommend to use tools that only run in one direction with PCD diamond tops.

Note: Piranha™ tools are made to run only in one direction.

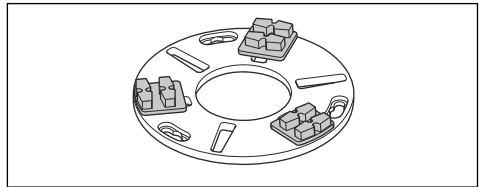
Metal bond diamond tools

Note: We recommend 3 tools with 1 segment on each Redi Lock® holder disc when you remove surface or usual concrete.

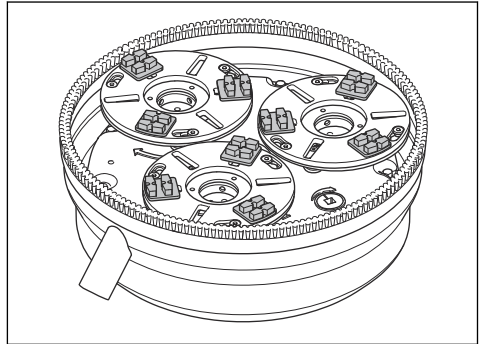
- Use Redi Lock® holder disc to attach metal bonded diamond tools.



- A Redi Lock® holder disc with half set.

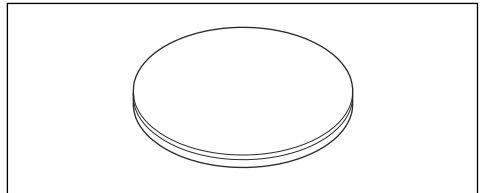


- Grinding head with half set on the 3 grinding discs.

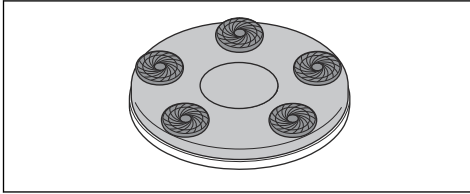


Resin bond diamond tools

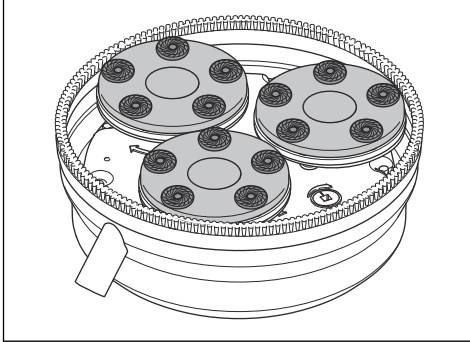
- Use resin holder disc to attach plastic bonded diamond tools.



- Plastic bonded tool attached to resin holder disc.



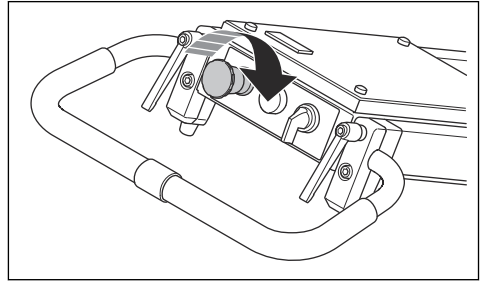
- Grinding head with 3 resin holder discs and tools



To do before you operate the product

1. Read the operator's manual carefully and make sure that you understand the instructions.
2. Do daily maintenance. Refer to *Maintenance on page 14*.
3. Make sure that the product is assembled correctly and is not damaged.
4. Put the product on the work area.
5. Make sure that there are diamond tools on the tool plate and that they are tightly attached.
6. Connect the dust extractor to the product. Refer to *To connect a dust extractor on page 13*
7. Adjust the handlebar to set the necessary work height.
8. Make sure that the motor cable is connected to the electrical enclosure before the product is connected to an electric socket.
9. Connect the power plug of the product into the mains outlet.

10. Turn the emergency stop button clockwise to make sure that the emergency stop is disengaged.



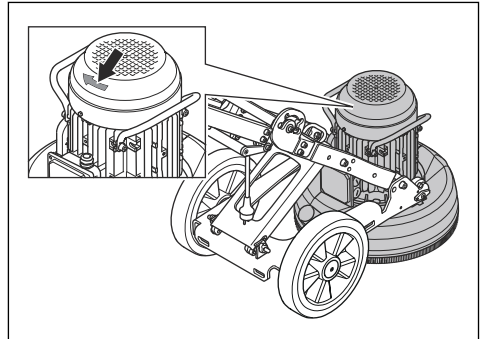
11. Make sure that you know in which direction the motor rotates.

To change in which direction the motor rotates

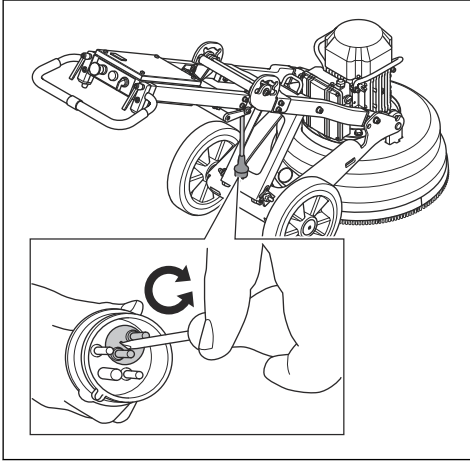


CAUTION: The Piranha tools are made to rotate in only one direction.

1. Look at the arrow to see in which direction the motor rotates.

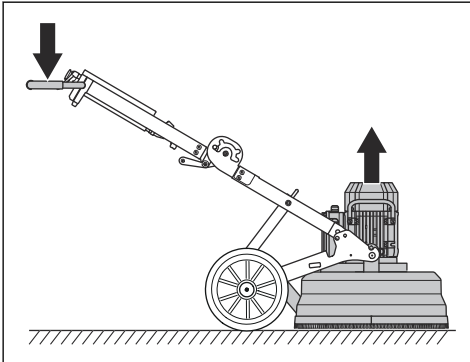


- Turn the 2 pins in the power plug in the opposite direction to change in which direction the motor rotates. This is only applicable for 3-phase.

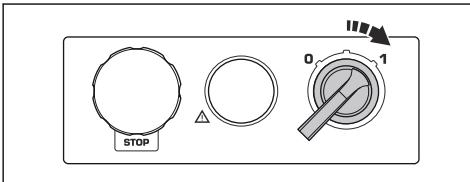


To start the product

- Push down the handle lightly to lift the grinding head from the surface, approximately 1 mm. This decreases the pressure against the surface. Do not lift the grinding head fully from the surface.



- Turn the ON/OFF switch to 1 to start the product. In less than 5 seconds the product operates at the idle speed.



To stop the product

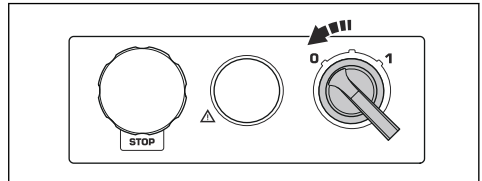


CAUTION: Do not lift the tool plate from the surface when you stop the motor. The tool plate rotates for a while after the motor stops. Much off the dust can blow off in to the air and the surface can be damaged.



CAUTION: If you grind adhesive asphalt, paint or equivalent material, lift up the front of the product slightly when the tool plate stops. The product can attach to the adhesive surface if not lifted.

- Turn the ON/OFF switch to 0 to stop the motor.



- Keep the tool plate against the surface. Make sure that the tool plate does not rotate before you lift up the front.
- Pull out the power plug.

To replace the diamond tools

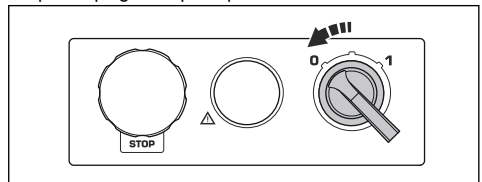


WARNING: Disconnect the power plug.

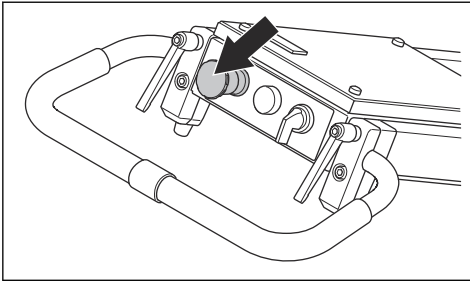


WARNING: Use protective gloves, as diamond tools can become very hot.

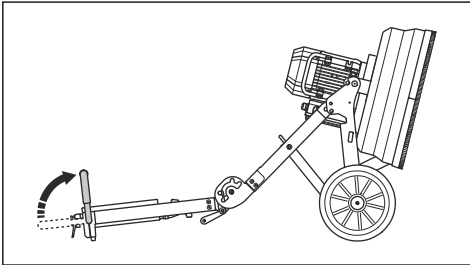
- Turn the ON/OFF switch to 0 and disconnect the power plug to stop the product.



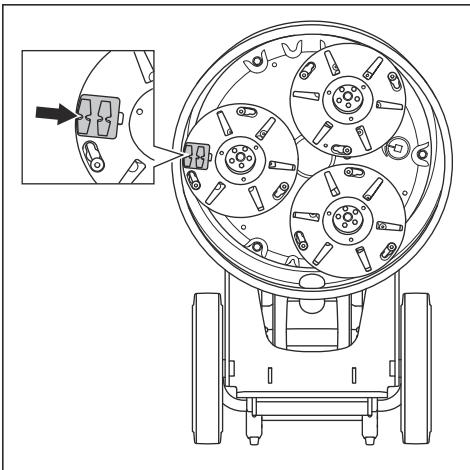
2. Push the emergency stop.



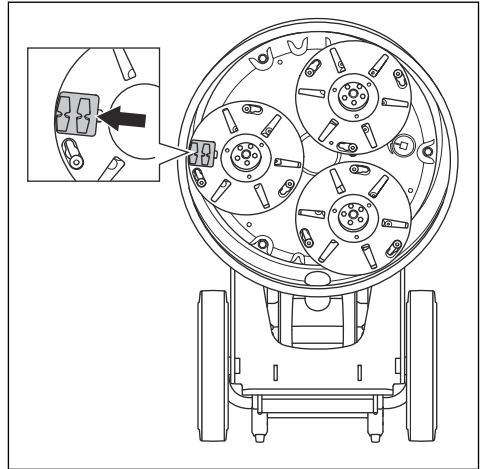
3. Put the product into servicing position.



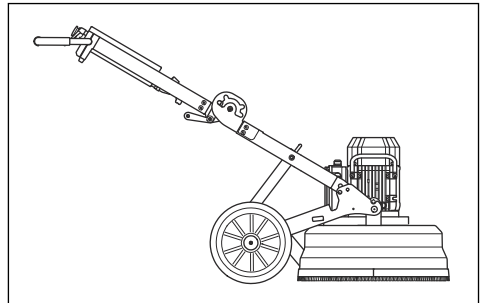
4. Use a hammer to remove the diamond tools.



5. Attach new diamond tools on the tool plate.



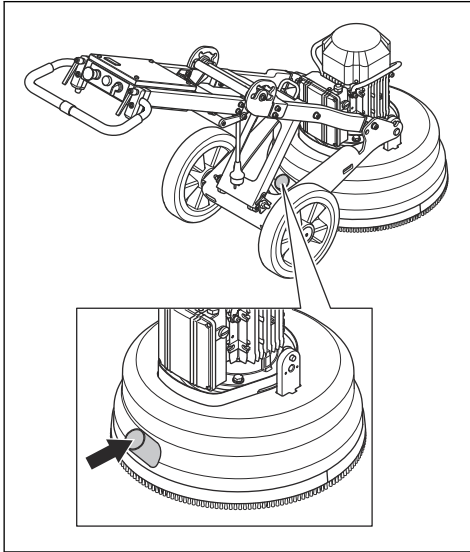
6. When the diamond tools are replaced, put the product into operation position.



To connect a dust extractor

Use a Husqvarna dust extractor system.

1. Connect the dust extractor to the product. Use a 50 mm (2 inch) hose.



2. Make sure that the filters in the dust extractor are clean and not damaged. Monitor the dust during the operation.

Maintenance

Introduction



WARNING: Before you do maintenance, you must read and understand the safety chapter.

For all servicing and repair work on the product, special training is necessary. We guarantee the availability of professional repairs and servicing. If your dealer is not a service agent, speak to them for information about the nearest service agent.

For more detailed information, refer to .

Daily maintenance

Daily maintenance means that you clean the product. Also that you do a check of the electrical supply, the brush strip and the grind holder.

To clean the product



CAUTION: A blocked air intake decreases the performance of the product and can cause the motor to become too hot.

- Always pull out the plug from the mains outlet before you clean, do maintenance or assemble the product.
- Always clean all the equipment at the end of the work day. Do not use a high pressure washer to clean the product.

- Remove blockage from all air openings. The product must always have sufficiently cool temperature.

To do a check of the electrical supply



WARNING: Do not use damaged cables. A damaged cable can cause serious injury or death.

- Make sure that the power cord and extension cable are not damaged and in good condition.
- Do not use the product if the power cord is damaged. Let an approved service center repair the product.

To do a check of the brush strip

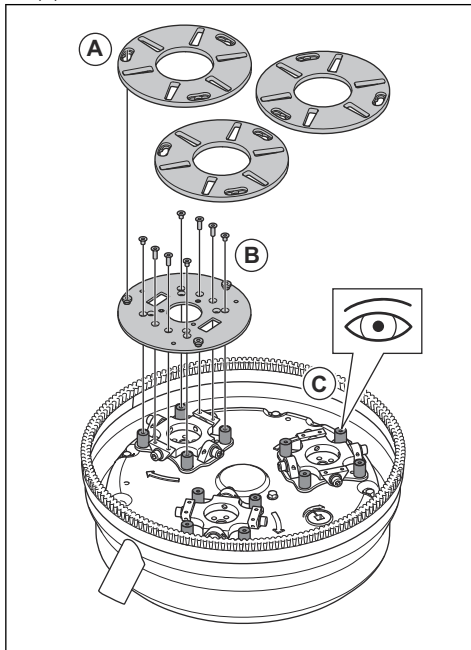
- Make sure that the brush strip is full.
- Make sure that the brush strip touches the surface.

To do a check of the grind holder



CAUTION: The condition of the grind holder is important for the performance and the safety.

1. Remove the grinding discs (A) and the tool plates (B).



2. Examine the grind holder for damages and the wear of the rubber cylinders (C).
3. Replace the rubber cylinders if it is necessary.

Troubleshooting

The product does not start

- Make sure that the power supply and the power cords are not damaged.
- Examine the emergency stop button, turn the button clockwise to release the emergency stop.
- Examine the overload lamp. If the overload lamp is on, let the motor cool down for some minutes until the product is automatically reset.

The product is not easy to hold on to

- Too small number of diamond tools are installed on the product.
- The selected type of diamond tool is not correct for the surface.
- High current is used by the motor for the operation.
- Use the number of diamond tools that is recommended to decrease the force on the product and the operator. Refer to *Diamond tools* on page 10.

The product has sudden movements

- Make sure that all diamond tools are installed correctly and that all have the same height.

The product stops after only a while

- If the product overloads, the overload protection engages and stops the motor.
- Decrease the load. The lower hole is for a higher handlebar and increased grind pressure. The top hole is for a lower handlebar and decreased grind pressure.
- The product restarts after approximately a minute, when the temperature of the motor is decreased to usual level.
- Make sure that the extension cables are not too short.

The product stops during startup

Correct voltage supply is necessary for a good motor performance. Too long extension cables and/or a too small gauge decreases the power of the motor during operation.

- If the motor overloads, the overload lamp comes on. Wait 2 minutes and try again. When this does not help, speak to an approved service workshop.
- Make sure that the extension cables are not too short.

Transportation and storage

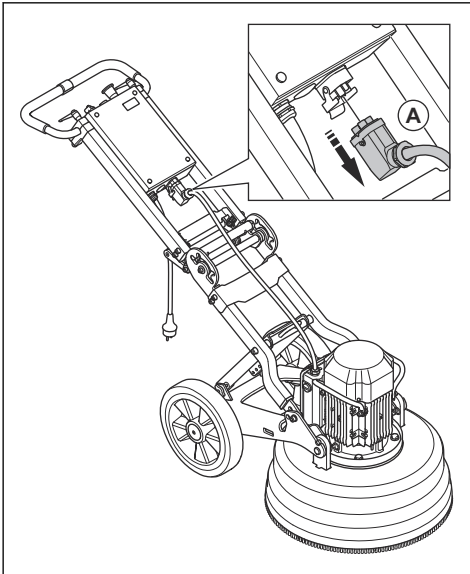
To set the product in transport position

Put some type of protection on the product during transportation. The protection keeps natural elements such as rain and snow away from the product.

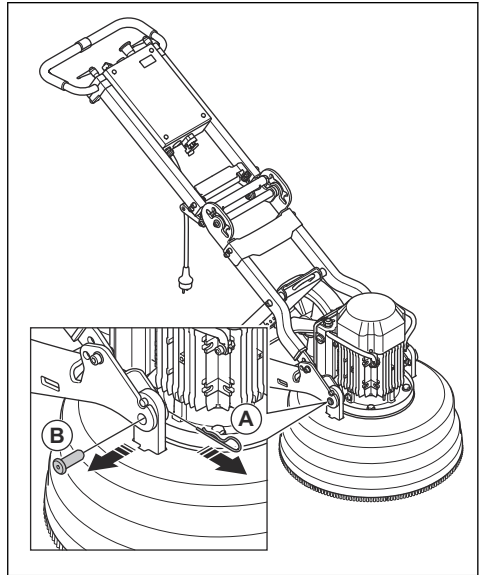
The product can be divided into 2 components. This makes the transportation easier.

Always move the product with the lifting eye and the handlebar.

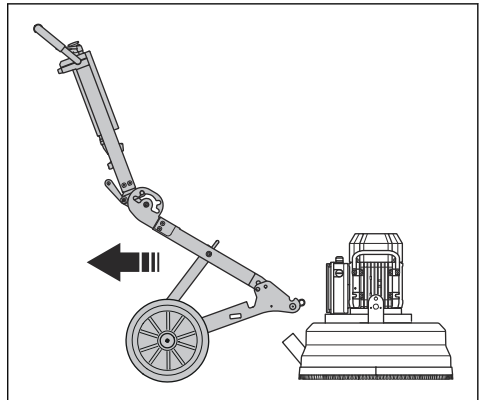
1. Disconnect the motor cable from the electric enclosure (A).



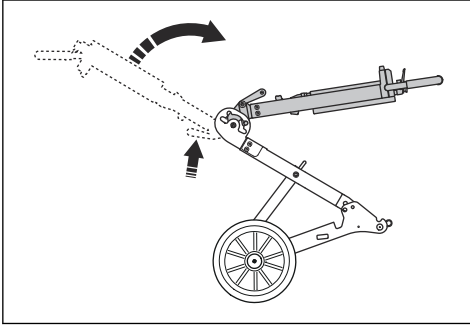
2. Pull out the lock pins (A) and remove the lock bolts (B) on each side of the grinding head.



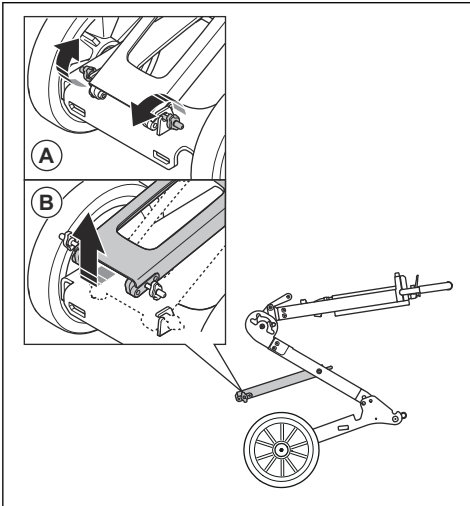
3. Remove the wheel chassis from the grinding head.



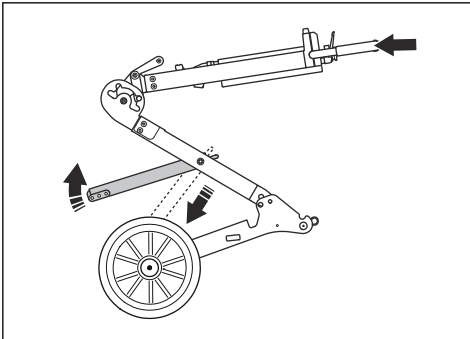
4. Push the handle on the central hinge and at the same time fold the top frame forward. The product is in the lift position.



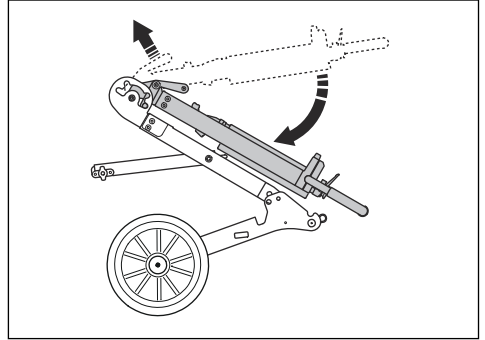
5. Remove the lock knobs (A) to loosen the support foot (B).



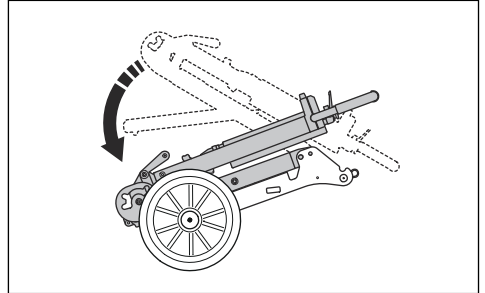
6. Hold the handlebar to keep the frame stable and lift the support foot out and up.



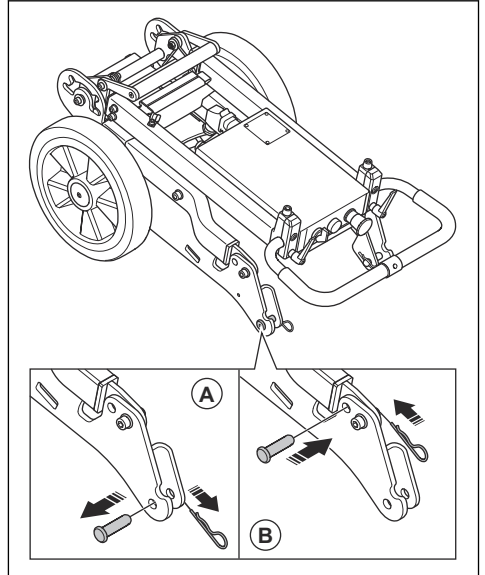
7. Hold the handlebar with one hand and push the handle on the central hinge. This folds the product into the folded position.

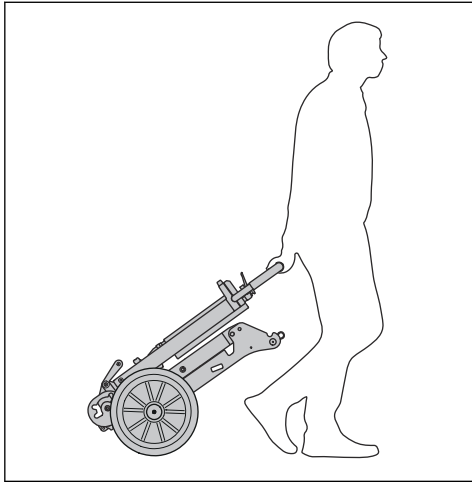


8. Fold the product carefully.



9. Move the lock pin and lock bolt from position (A) to position (B) to lock the product.





Storage of the product

- Keep the product in a locked area to prevent access for children or persons that are not approved.
- Keep the product in a dry and frost free area.

Technical data

Technical data

	Three-phase, 380-420V	Three-phase, 440-480V	Three-phase, 220-240V	Single-phase, 220-240V	
Motor frequency, Hz	50	60	60	50	60
Motor power, kW/hp	4.0/5.4	4.0/5.4	4.0/5.4	2.2/3.0	3.0/4.0
Rated current, A	9	7	15	13	18
Rated voltage, V	380-420	440-480	220-240	220-240	220-240
Weight, kg/lbs	133/293	133/293	133/293	120/265	133/293
Grinding width, mm/in.	515/20.3	515/20.3	515/20.3	515/20.3	515/20.3
Grinding disc diameter, mm/in.	230/9	230/9	230/9	230/9	230/9
Grinding pressure, kg/lbs	79/174	79/174	79/174	66/145	80/176
Rotation speed - grinding discs, rpm	560	670	670	540	440

Sound levels

	Three-phase, 380-420V	Three-phase, 440-480V	Three-phase, 220-240V	Single-phase, 220-240V
Noise emissions¹ dB(A)				

¹ Noise emission in the environment measured as sound power according to EN 60335-2-72. Expected measurement uncertainty 2,5 dB(A).

	Three-phase, 380-420V	Three-phase, 440-480V	Three-phase, 220-240V	Single-phase, 220-240V	
Sound power level L_{WA} (measured)	96	96	96	96	96
Sound levels ² dB(A)					
Sound pressure level at the operators ear	81	81	81	81	81
Vibration levels ³ m/s²					
Right handle	1.3	1.3	1.3	1.3	1.3
Left handle	1.2	1.2	1.2	1.2	1.2

² Sound pressure level according to EN 60335-2-72. Expected measurement uncertainty 4 dB(A).

³ Vibration level according to EN 60335-2-72. Reported data for vibration level has a typical statistical dispersion (standard deviation) of 1 m/s²

Declaration of Conformity

EC Declaration of Conformity

We, Husqvarna AB, SE-561 82 Huskvarna, Sweden, tel:
+46- 36-146500, declare on our sole responsibility that
the product:

Description	Polish & Grind Equipment
Brand	Husqvarna
Type/Model	PG 510
Identification	Serial numbers dating from 2022 and onwards

complies fully with the following EU directives and
regulations:

Directive/Regulation	Description
2006/42/EC	"relating to machinery"
2014/30/EU	"relating to electromagnetic compatibility"
2011/65EU	"relating to restriction of hazardous substances"

and that the following standards and/or technical
specifications are applied;

EN ISO 12100:2010

EN 55014-1:2017

EN 55014-1:2021

EN 60335-1:2012/A11:2014/A13:2017

EN 60335-2-72:2012

EN IEC 63000:2018

Partille, 2022-10-11



Martin Huber

Global R&D Director

Responsible for technical documentation

UK Declaration of Conformity

We Husqvarna AB, SE-561 82 Huskvarna, Sweden, tel:
+46- 36-146500, declares on our sole responsibility that
the product:

Description	Polish & Grind Equipment
Brand	Husqvarna
Type/Model	PG 510
Identification	Serial numbers dating from 2022 and onwards

complies fully with the following UK regulations:

The Supply of Machinery (Safety) Regulations 2008
Electromagnetic Compability Regulations 2016
The Restriction of the Use of Certain Hazardous Substances in Electrical and Electronic Equipment Regulations 2012

and that the following standards and/or technical specifications are applied;

EN ISO 12100:2010

EN 55014-1:2017

EN 55014-1:2021

EN 60335-1:2012/A11:2014/A13:2017

EN 60335-2-72:2012

EN IEC 63000:2018

Partille, 2022-10-11

UK Importer:
Husqvarna UK Ltd
Preston Road, Co. Durham
DL5 6UP



Martin Huber

R&D Director, Concrete Surface & Floors

Husqvarna AB, Construction Division

Responsible for technical documentation

**UK
CA**

Inhalt

Einleitung.....	22	Fehlerbehebung.....	36
Sicherheit.....	24	Transport und Lagerung.....	36
Betrieb.....	28	Technische Angaben.....	39
Wartung.....	35	Konformitätserklärung.....	40

Einleitung

Gerätebeschreibung

Das Gerät ist eine Hochleistungsschleifmaschine für Betonoberflächen unterschiedlicher Härte. Der Schleifbereich reicht von rauen bis hin zu glatteren Oberflächen.

Das Gerät bietet unter anderem folgende Funktionen:

- Einen Rahmen, der zum leichteren Transport zusammengeklappt werden kann.
- Eine Schleifkopfabdeckung, die Bewegungen der Oberflächenschicht anpasst.
- Der Schleifkopf ist mit drei Schleifscheiben ausgestattet. Ein vollständiger Satz besteht aus sechs Segmenten pro Schleifscheibe.
- Harzgebundener Halter, ein Halter für kunststoffgebundene Diamantwerkzeuge.

- Erhältlich als Ein- oder Dreiphasenausführung.
- Schleifbreite von 515 mm.

Verwendungszweck

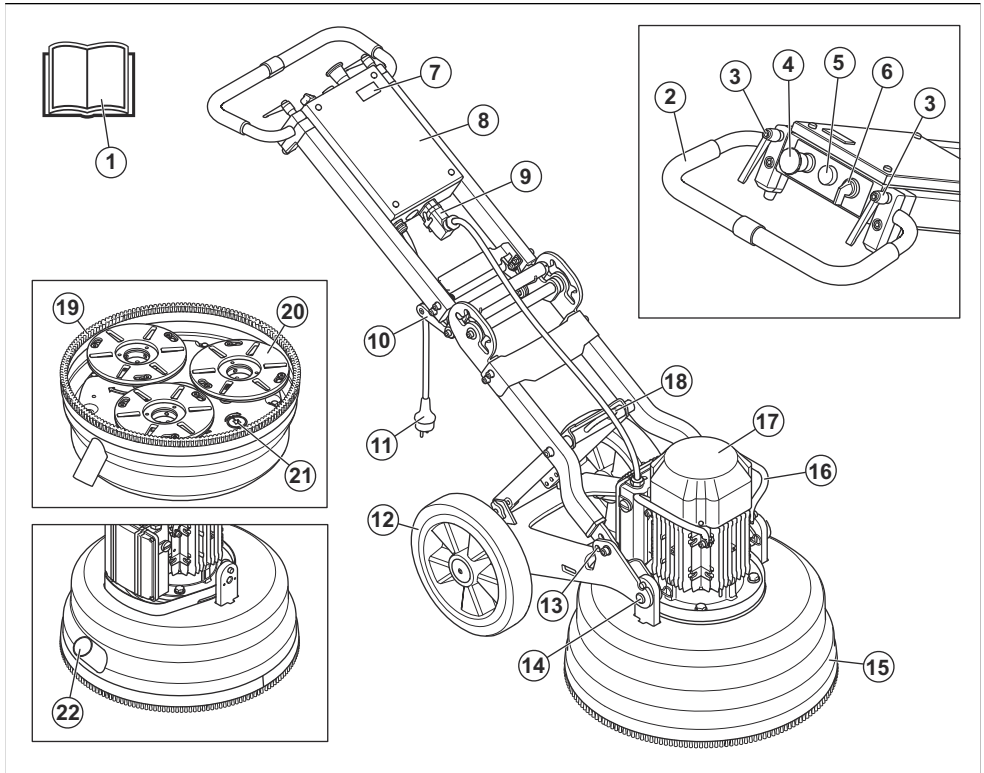
Verwenden Sie das Gerät zum Abschleifen von Betonoberflächen mit unterschiedlichen Härten wie Terazzo und Steinfliesen.

Das Gerät wird für leichte kommerzielle Arbeiten in privaten und kleinen gewerblichen Bereichen eingesetzt.



WARNUNG: Verwenden Sie das Gerät nicht für andere Aufgaben.

Produktübersicht



1. Bedienungsanleitung
2. Griff/Lenker
3. Sperrhebel für die Einstellung des Lenkers
4. Notaus-Taste
5. Überlastlampe
6. EIN/AUS-Schalter
7. Betriebsstundenzähler
8. Schaltkasten
9. Anschluss für Motorkabel
10. Winkelgelenkgriff
11. Netzstecker
12. Gummiräder
13. Sperrfunktion
14. Schlossschraube zum Befestigen des Motor-/ Schleifkopfs
15. Schleifkopfabdeckung
16. Hubgriff, Motor
17. Elektromotor
18. Hebeöse
19. Bürstenstreifen
20. Werkzeugplatte – drei Schleifscheiben

21. Bodenplatte/untere Platte – Schleifkopf
22. Anschluss, Vakuumschlauch

Symbole auf dem Gerät



WARNUNG: Bei unvorsichtiger oder nicht ordnungsgemäßer Bedienung kann es zu Verletzungen oder zum Tode des Benutzers oder anderer Personen kommen.



Lesen Sie die Bedienungsanleitung und machen Sie sich mit den Anweisungen vertraut, bevor Sie das Gerät verwenden.



Tragen Sie immer Gehörschutz, Schutzbrille und Atemschutz.



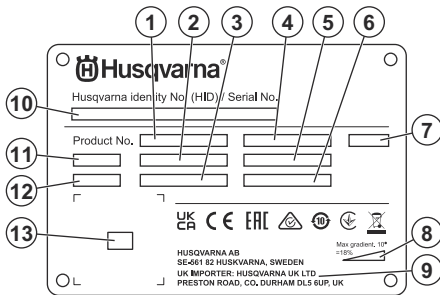
WARNUNG! Der Staub kann Atembeschwerden verursachen. Verwenden Sie einen Atemschutz. Atmen Sie die Abgase nicht ein. Sorgen Sie immer für eine gute Luftzirkulation.



Dieses Gerät entspricht den geltenden CE-Richtlinien.

Hinweis: Sonstige Symbole/Aufkleber am Gerät beziehen sich auf spezielle Zertifizierungsanforderungen, die in bestimmten Ländern gelten.

Typenschild



1. Gerätenummer
2. Gerätegewicht
3. Nennleistung
4. Nennspannung
5. Nennstrom
6. Häufigkeit
7. Gehäuse
8. Maximaler Neigungswinkel
9. Hersteller/Importeur
10. Seriennummer
11. Modell
12. Baujahr
13. Scanbarer Code

Produkthaftung

Im Sinne der Produkthaftungsgesetze übernehmen wir keine Haftung für Schäden, die unser Gerät verursacht, wenn...

- das Gerät nicht ordnungsgemäß repariert wurde.
- das Gerät mit Teilen repariert wurde, die nicht vom Hersteller stammen oder vom Hersteller zugelassen sind.
- ein Zubehörteil mit dem Gerät verwendet wird, das nicht vom Hersteller stammt oder vom Hersteller zugelassen ist.
- das Gerät nicht bei einem zugelassenen Service Center oder von einer zugelassenen offiziellen Stelle repariert wurde.

Sicherheit

Sicherheitsdefinitionen

Warnungen, Vorsichtsmaßnahmen und Hinweise werden verwendet, um auf besonders wichtige Teile der Bedienungsanleitung hinzuweisen.



WARNUNG: Wird verwendet, wenn bei Nichtbeachtung der Anweisungen in diesem Handbuch die Gefahr von Verletzung oder Tod des Bedieners oder anderer Personen besteht.



ACHTUNG: Wird verwendet, wenn bei Nichtbeachtung der Anweisungen in diesem Handbuch die Gefahr von Schäden am Gerät, an anderen Materialien oder in der Umgebung besteht.

Hinweis: Für weitere Informationen, die in bestimmten Situationen nötig sind.

Allgemeine Sicherheitshinweise



WARNUNG: Lesen Sie die folgenden Warnhinweise, bevor Sie das Gerät benutzen. Bewahren Sie alle Warnhinweise und Anweisungen auf. Schlagen Sie, falls erforderlich, bei zukünftigen Arbeiten die Warnungen und Anweisungen nach.

- Der Sicherheitsabschnitt enthält grundlegende Anweisungen zur korrekten Verwendung des Geräts. Diese Informationen können natürlich in keiner Weise die Ausbildung und langjährige Erfahrung eines Fachmanns ersetzen. Wenn Sie sich in einer Situation befinden, in der Sie sich nicht sicher fühlen, brechen Sie die Arbeiten ab und holen professionelle Rat ein. Wenden Sie sich an Ihren Händler, den Kundendienst oder einen erfahrenen Anwender. Gehen Sie keine Aufgaben an, denen Sie sich nicht gewachsen fühlen!
- Sorgen Sie für einen sauberen und hellen Arbeitsbereich, da dies das Unfallrisiko verringert.

Sicherheitshinweise für den Betrieb



WARNUNG: Lesen Sie die folgenden Warnhinweise, bevor Sie das Gerät benutzen. Bewahren Sie alle Warnhinweise und Anweisungen zum Nachschlagen für zukünftige Arbeiten auf.



WARNUNG: Eine übermäßige Belastung durch Vibrationen kann bei Personen mit verminderter Durchblutung Kreislauf- oder Nervenschäden verursachen. Suchen Sie einen Arzt auf, wenn Sie an Ihrem Körper Symptome feststellen, die darauf hinweisen, dass Sie zu starken Vibrationen ausgesetzt waren. Einschlafen von Körperteilen, Gefühlsverlust, Kitzeln, Stechen, Schmerz, Verlust oder Beeinträchtigung der normalen Körperkraft, Veränderungen der Hautfarbe oder der Hautbeschaffenheit. Diese Beschwerden treten normalerweise in den Fingern, Händen und Handgelenken auf.

- Verwenden Sie das Gerät nur für Arbeiten, die in dieser Bedienungsanleitung aufgeführt sind. Siehe *Verwendungszweck auf Seite 22*.
 - Benutzen Sie eine persönliche Schutzausrüstung. Siehe *Persönliche Schutzausrüstung auf Seite 25*.
 - Entfernen Sie sich nicht vom Gerät, wenn der Motor eingeschaltet ist.
 - Schließen Sie das Motorkabel an den Schaltkasten an, bevor Sie den Stecker einstecken.
 - Lassen Sie niemanden das Gerät verwenden, der nicht zuvor den Inhalt dieser Betriebsanleitung gelesen und verstanden hat.
 - Starten Sie das Gerät immer mit befestigtem Bürstenstreifen. Der Bürstenstreifen muss dicht mit der Oberfläche abschließen, insbesondere, wenn trockene Oberflächen bearbeitet werden.
 - Stellen Sie sicher, dass der Bürstenstreifen unbeschädigt und sauber ist. Ersetzen Sie einen beschädigten Bürstenstreifen.
 - Lassen Sie den Motor eingeschaltet, bis der Lüfter vollständig angehalten hat.
 - Heben Sie den Schleifkopf an, wenn eine Überprüfung des Startvorgangs erforderlich ist.
 - Starten Sie das Gerät nur, wenn der Schleifkopf auf der Oberfläche aufliegt.
 - Stellen Sie sicher, dass sich nur befugte Personen im Arbeitsbereich befinden.
 - Verwenden Sie das Gerät nicht in Bereichen, in denen Feuer oder Explosionen auftreten können.
 - Zerlegen Sie das Diamantwerkzeug nach jedem Schleifprozess.
 - Vergewissern Sie sich, dass die Werkzeugplatte nicht rotiert, wenn Sie das Gerät anheben.
- Nach Ausschalten des Motors dreht sich die Werkzeugplatte noch eine Zeit lang weiter.
- Tragen Sie stets Schutzhandschuhe und lassen Sie das Gerät abkühlen, wenn Sie Diamantwerkzeuge ausbauen. Diamantwerkzeuge sind sehr heiß direkt nach dem Gebrauch.
 - Verbinden Sie das Gerät in jedem Fall mit einer Absauganlage, um den Staub zu entfernen.
 - Stellen Sie sicher, dass das Gerät korrekt zusammengebaut ist.
 - Verwenden Sie immer die vorgesehene Huböse zum Anheben des Gerätes.
 - Verwenden Sie das Gerät nicht, wenn es Zeichen von Beschädigung aufweist.
 - Starten Sie das Gerät nur dann, wenn der Schleifkopf die Oberfläche berührt, es sei denn, Sie kontrollieren den EIN/AUS-Schalter.
 - Bedienen Sie das Gerät stets von hinten, und halten Sie beide Hände am Lenker.
 - Verwenden Sie das Gerät nicht ohne vorher dafür geschult worden zu sein. Stellen Sie sicher, dass alle Anwender Schulungen erhalten.
 - Sorgen Sie dafür, dass sich keine Unbefugten im Arbeitsbereich aufhalten, da andernfalls die Gefahr schwerer Verletzungen besteht.
 - Achten Sie darauf, dass sich Kleidung, langes Haar und Schmuck nicht in beweglichen Teilen verfangen kann.
 - Stellen Sie sicher, dass Sie während der Arbeit eine sichere und stabile Position einnehmen.
 - Plötzliches Auftreten von Personen und Tieren kann das sichere Arbeiten mit dem Gerät verhindern. Arbeiten Sie mit dem Gerät immer vorsichtig und seien Sie jederzeit darauf vorbereitet, es anzuhalten, wenn es nötig sein sollte.
 - Erlauben Sie niemals Kindern, das Gerät zu benutzen oder sich ihm zu nähern.
 - Stellen Sie sicher, dass immer eine weitere Person in der Nähe ist, wenn Sie das Gerät verwenden. So können Sie bei einem Unfall gegebenenfalls Hilfe erhalten.
 - Arbeiten Sie nicht mit dem Gerät, wenn Sie müde oder krank sind oder Alkohol, Drogen oder Medikamente zu sich genommen haben. Dies kann Ihre Vision, Ihr Urteilsvermögen oder Ihr Koordinationsvermögen verringern.
 - Verwenden Sie kein Gerät, das modifiziert wurde und nicht mehr den Werkspezifikationen entspricht.
 - Verwenden Sie stets zugelassenes Zubehör. Ihr Händler steht Ihnen gern für weitere Informationen zur Verfügung.

Persönliche Schutzausrüstung



WARNUNG: Lesen Sie die folgenden Warnhinweise, bevor Sie das Gerät benutzen.

- Verwenden Sie immer geeignete persönliche Schutzausrüstung bei der Benutzung des Geräts. Das Tragen persönlicher Schutzausrüstung schließt das Risiko von Verletzungen nicht aus. Das Tragen persönlicher Schutzausrüstung verringert das Ausmaß der Verletzungen bei einem Unfall. Lassen Sie sich von Ihrem Händler bei der Auswahl der richtigen Ausrüstung unterstützen.
- Tragen Sie einen zugelassenen Augenschutz beim Arbeiten mit dem Gerät.
- Tragen Sie keine lose, schwere und ungeeignete Kleidung. Tragen Sie Kleidung, in der Sie sich ungehindert bewegen können.
- Verwenden Sie zugelassene Schutzhandschuhe, die einen festen Griff ermöglichen.
- Tragen Sie Schutzhandschuhe aus Gummi, um Hautreizungen durch feuchten Beton vorzubeugen.
- Verwenden Sie einen zugelassenen Schutzhelm.
- Tragen Sie stets einen zugelassenen Gehörschutz beim Arbeiten mit dem Gerät. Lärmbelastung über einen längeren Zeitraum kann zu lärmbedingten Hörschäden führen.
- Das Gerät erzeugt Staub und Dämpfe, die gefährliche Chemikalien enthalten. Verwenden Sie einen zugelassenen Atemschutz.
- Tragen Sie Stiefel mit Stahlkappen und rutschfesten Sohlen.
- Vergewissern Sie sich, dass Sie einen Erste-Hilfe-Kasten griffbereit haben.
- Beim Arbeiten mit dem Gerät können Funken entstehen. Vergewissern Sie sich, dass Sie einen Feuerlöscher griffbereit haben.

Wenn das Stromnetz einen höheren Systemwiderstand aufweist, kann beim Starten des Geräts die Spannung kurzzeitig abfallen. Dies kann den Betrieb anderer Geräte beeinflussen, z. B. ein Flackern des Lichts verursachen.

- Kontrollieren Sie, ob die Leistung, die Sicherung und die Netzspannung mit dem entsprechenden Spannungswert auf dem Typenschild des Geräts übereinstimmen.
- Schalten Sie das Gerät immer aus, bevor Sie den Netzstecker ziehen.
- Verwenden Sie dieses Gerät nicht, wenn Kabel oder Stecker beschädigt sind. Übergeben Sie es zur Reparatur an ein autorisiertes Kundendienstzentrum. Ein beschädigtes Kabel kann zu schweren und tödlichen Verletzungen führen.
- Verwenden Sie das Gerät nach Vorschrift. Verwenden Sie das Kabel nicht, um das Gerät zu verschieben, zu ziehen oder von der Netzspannung zu trennen. Ziehen Sie direkt am Stecker, nicht am Kabel.
- Betreiben Sie das Gerät nicht in einer Wassertiefe, in denen die Ausstattung des Geräts nass wird. Die Ausstattung kann beschädigt werden und das Gerät kann durch führende Spannung Verletzungen verursachen.
- Achten Sie darauf, dass nicht mehr Feuchtigkeit in das Gerät gelangt, als durch das Wassersystem eingespeist wird. Schützen Sie das Gerät vor Regen. Wasser, das in ein Elektrowerkzeug eindringt, erhöht das Risiko eines elektrischen Schlags.
- Achten Sie immer darauf, dass das Netzkabel getrennt ist, wenn Sie den Stecker des Motorkabels und des elektrischen Gehäuses ein- oder ausstecken.

Elektrische Sicherheit



WARNUNG: Bei elektrisch angetriebenen Geräten besteht immer die Gefahr von elektrischen Schlägen. Verwenden Sie das Gerät nicht bei schlechtem Wetter. Berühren Sie keine Blitzableiter und Metallgegenstände. Verwenden Sie das Gerät immer gemäß den in diesem Betriebshandbuch hinterlegten Anweisungen, um Verletzungen zu vermeiden.



ACHTUNG: Das Gerät erfüllt die Anforderungen nach EN 61000-3-11 und kann unter bestimmten Bedingungen an das Netz angeschlossen werden. Sprechen Sie mit dem Energieversorgungsunternehmen, um Anweisungen zum Anschließen des Geräts zu erhalten.

Schließen Sie das Gerät nur an ein Stromnetz mit einem Widerstand von weniger als 0,28 Ω an. Erfragen Sie beim Energieversorgungsunternehmen den Schnittstellenpunkt des Systemwiderstands.

Anweisungen für geerdete Geräte



WARNUNG: Ein falscher Anschluss kann zu einem Stromschlag führen. Wenden Sie sich an einen qualifizierten Elektriker, wenn Sie Zweifel daran haben, ob die Netzsteckdose richtig geerdet ist.

Nehmen Sie keine Modifikationen am Netzstecker vor. Dieser muss den Werksspezifikationen entsprechen. Wenn der Netzstecker oder das Netzkabel beschädigt ist oder ersetzt werden muss, wenden Sie sich an Ihre Husqvarna Servicewerkstatt. Beachten Sie die vor Ort geltenden Vorschriften und Gesetze.

Wenden Sie sich an einen qualifizierten Elektriker, wenn Sie die Anweisungen hinsichtlich des geerdeten Geräts nicht vollständig verstehen.

Verwenden Sie nur geerdete Verlängerungskabel für den Außenbereich mit Erdungssteckern und einer Erdungssteckdose, die für den Netzstecker des Geräts geeignet ist.

Das Gerät verfügt über ein geerdetes Netzkabel und einen Netzstecker. Schließen Sie das Gerät immer an eine geerdete Steckdose an. Dadurch verringert sich die Gefahr eines elektrischen Schlags, wenn eine Störung vorliegt.

Verwenden Sie keine elektrischen Adapter am Gerät.

Verlängerungskabel

- Verwenden Sie nur zugelassene Verlängerungskabel mit ausreichender Länge.
- Der Nennwert auf dem Verlängerungskabel muss dem auf dem Typenschild des Geräts angegebenen Wert entsprechen oder höher sein.
- Verwenden Sie Schuko-Verlängerungskabel.
- Wenn Sie das Gerät im Freien benutzen, verwenden Sie ein für den Außeneinsatz geeignetes Verlängerungskabel. Dadurch wird das Risiko von Stromschlägen verringert.
- Achten Sie darauf, dass die Verbindung mit dem Verlängerungskabel trocken ist und keinen Bodenkontakt hat.
- Halten Sie das Verlängerungskabel fern von Hitzequellen, Öl, scharfen Kanten und beweglichen Teilen. Ein beschädigtes Kabel erhöht das Risiko eines Stromschlags.
- Stellen Sie sicher, dass sich das Verlängerungskabel in einem guten Zustand befindet und unbeschädigt ist.
- Verwenden Sie das Verlängerungskabel nicht im aufgewickelten Zustand. Dies kann dazu führen, dass das Verlängerungskabel zu heiß wird.
- Vergewissern Sie sich, dass sich das Verlängerungskabel hinter Ihnen und dem Gerät befindet, wenn Sie mit dem Gerät arbeiten. Dadurch wird eine Beschädigung des Verlängerungskabels vermieden.

Sicherheitsvorrichtungen am Gerät

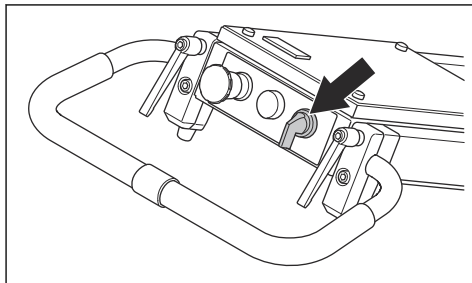


WARNUNG: Lesen Sie die folgenden Warnhinweise, bevor Sie das Gerät benutzen.

- Benutzen Sie kein Gerät mit defekten Sicherheitsvorrichtungen.
- Führen Sie regelmäßig eine Überprüfung der Sicherheitsvorrichtungen anhand von *Tägliche Wartung auf Seite 35* durch. Wenn die Sicherheitsvorrichtungen defekt sind, wenden Sie sich an Ihre autorisierte Husqvarna-Servicewerkstatt.
- Nehmen Sie keine Modifizierungen der Sicherheitsvorrichtungen vor.

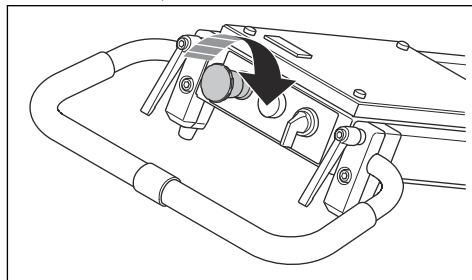
EIN/AUS-Schalter

Der EIN-/AUS-Schalter wird zum Ein- und Ausschalten des Geräts verwendet.

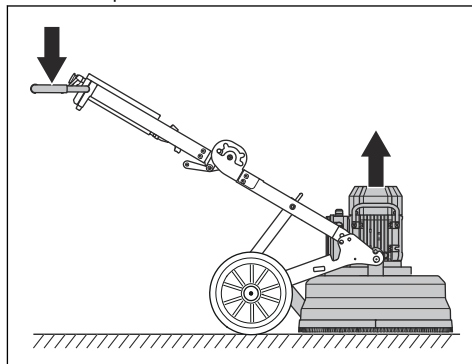


So prüfen Sie den EIN-/AUS-Schalter

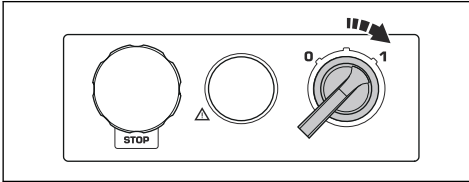
1. Drehen Sie die Notaus-Taste im Uhrzeigersinn, um sicherzustellen, dass sie deaktiviert ist.



2. Drücken Sie den Griff nach unten, um den Schleifkopf vom Boden anzuheben.

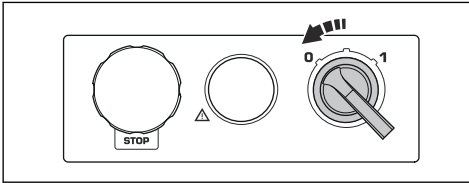


3. Schalten Sie den EIN-/AUS-Schalter auf 1, um das Gerät einzuschalten.



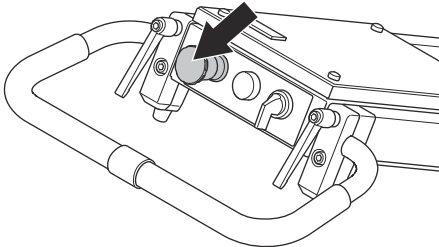
4. Warten Sie 5 Sekunden, damit das Gerät mit Leerlaufdrehzahl laufen kann.

5. Schalten Sie den EIN-/AUS-Schalter auf 0, um das Gerät auszuschalten.



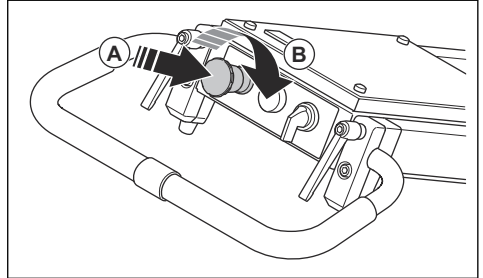
Notaus-Taste

Mit der Notaus-Taste kann der Motor schnell abgestellt werden. Mit der Notaus-Taste der Maschine können Sie die Stromzufuhr zur Maschine unterbrechen.



So prüfen Sie die Notaus-Taste

1. Drücken Sie die Notaus-Taste (A), und stellen Sie sicher, dass der Motor abgestellt wird.



2. Drehen Sie die Notaus-Taste im Uhrzeigersinn (B), um sie zu lösen.

Sicherheitshinweise für die Wartung

- Halten Sie alle Teile in einwandfreiem Zustand, und stellen Sie sicher, dass alle Befestigungsteile korrekt festgezogen sind.
- Verwenden Sie das Gerät nicht, wenn es defekt ist. Führen Sie alle Sicherheitskontrollen, Wartungen und Servicemaßnahmen durch, die in dieser Bedienungsanleitung angegeben sind. Alle anderen Wartungsarbeiten müssen von einer autorisierten Servicewerkstatt durchgeführt werden.
- Stoppen Sie den Motor und ziehen Sie den Netzstecker, wenn Sie die Diamantwerkzeuge austauschen.
- Führen Sie die Inspektion und/oder Wartung bei stehendem Motor und gezogenem Netzstecker durch.
- Warten Sie das Gerät, um sicherzustellen, dass es ordnungsgemäß funktioniert. Siehe *Tägliche Wartung auf Seite 35*.

Betrieb

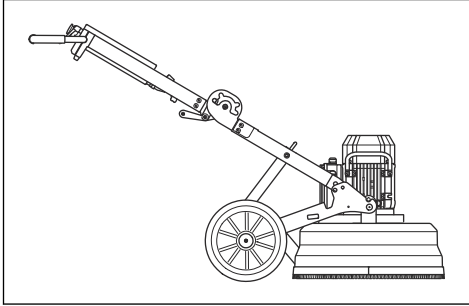
Einleitung



WARNUNG: Vor dem Betrieb des Gerätes müssen Sie die Sicherheitsinformationen lesen und verstehen.

Gerätepositionen

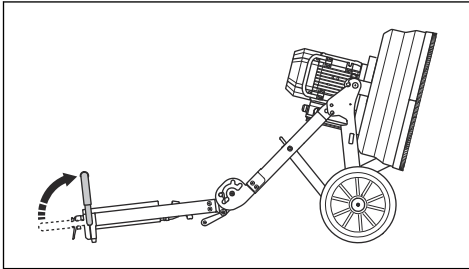
Betriebsposition



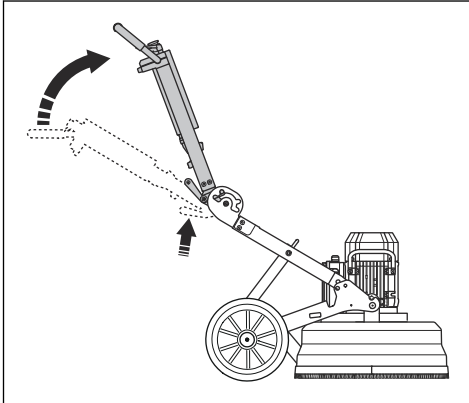
Wartungsposition



ACHTUNG: Stellen Sie das Gerät in der Wartungsposition immer auf eine ebene Fläche.

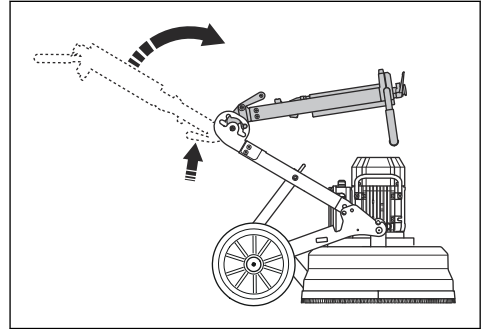


Geneigte Transportposition



Angehobene Transportposition

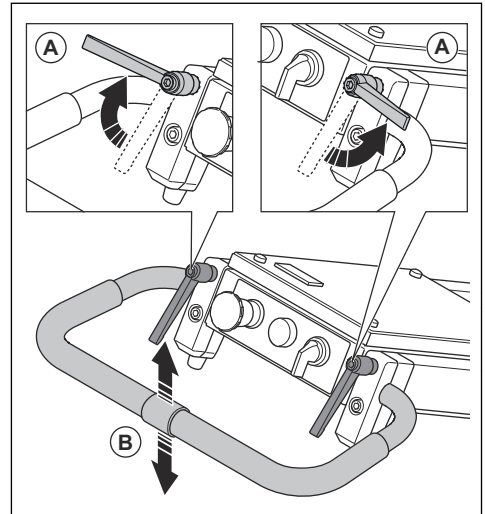
Bringen Sie zwischen dem Motor und dem Schaltkasten einen Schutz an, um Beschädigungen am Gerät zu vermeiden.



So stellen Sie den Lenker ein

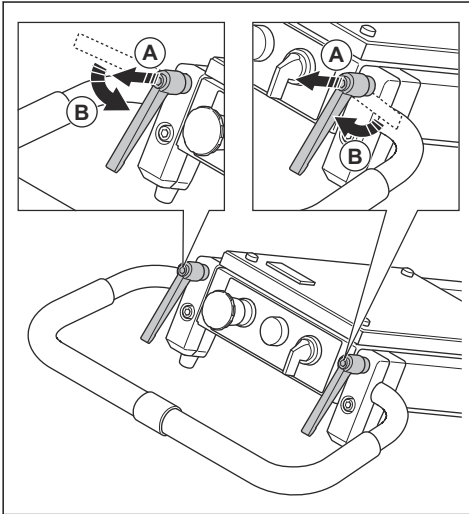
Die Sperrhebel des Lenkers werden im Uhrzeigersinn oder gegen den Uhrzeigersinn bedient oder in die Leerlaufposition gebracht.

1. Lösen Sie die Sperrhebel (A), und bringen Sie den Lenker (B) in die gewünschte Position.

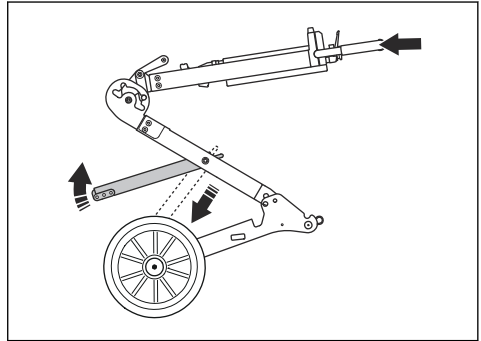


2. Ziehen Sie die Sperrhebel fest, um die Position einzustellen.

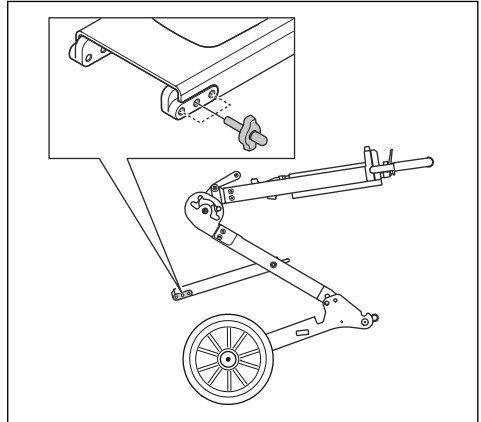
3. Wenn die Lenkerposition eingestellt ist, ziehen Sie die Lenkersperrhebel (A) nach oben (A) und bringen diese in die Leerlaufstellung (B).



2. Halten Sie den Lenker so, dass der Rahmen stabil bleibt, und heben Sie den Stützfuß nach außen und oben.



3. Wählen Sie die für die Aufgabe entsprechende Position, und ziehen Sie den Sperrhebel fest. Über die untere Öffnung werden der Schleifdruck und die Lenkerhöhe vergrößert. Über die obere Öffnung werden der Schleifdruck und die Lenkerhöhe verringert.

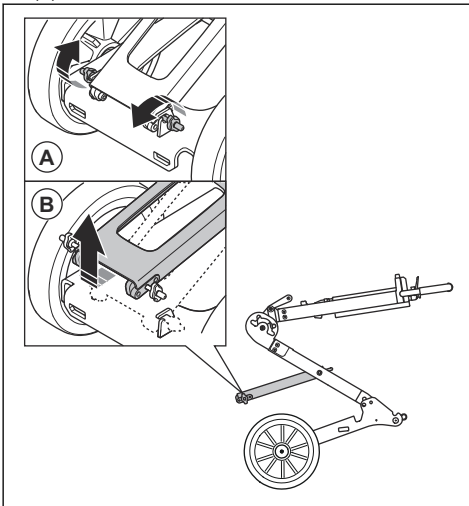


So stellen Sie die Rahmenhöhe ein

Der Winkel des Rahmens kann geändert werden, um das Gewicht des Chassis zu teilen. Dadurch wird der Schleifdruck gegen die Oberfläche verringert oder erhöht.

Passen Sie den Winkel an, um eine gute Arbeitsposition für verschiedene Anwender einzustellen.

1. Entfernen Sie die Sperrhebel (A), um den Stützfuß (B) zu lösen.



Griffhöhen

Position der Bohrung	Griffhöhe in mm
Oben	765
Mitte	870
Unten	960

Diamantwerkzeuge

Es gibt viele Arten von Diamantwerkzeugen für das Gerät. Sprechen Sie mit Ihrem autorisierten Service Center, oder wählen Sie unter www.husqvarnacp.com das richtige Diamantwerkzeug aus.

Installation der Diamantwerkzeuge

Die Installation der Diamantwerkzeuge auf der Werkzeugplatte hat Auswirkungen auf die Leistung des Geräts. Die Art des Diamantwerkzeugs in Kombination mit der Anzahl der Segmente auf dem Diamantwerkzeug ist wichtig.

Verwenden Sie metallgebundene Diamantwerkzeuge mit zwei Segmenten für die üblichen Schleifarbeiten, um die Oberfläche zu ebnen oder für leichteres Abtragen.

Verwenden Sie metallgebundene Diamantwerkzeuge mit einem Diamantsegment, um den Druck des Diamantwerkzeugs zu erhöhen. Diese Installation eignet sich für intensiven Abtrag mit viel Kraft.

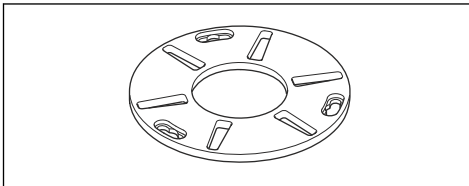
Für besonders intensiven Abtrag empfehlen wir Werkzeuge, die nur in einer Laufrichtung mit PCD-Diamantspitzen verwendet werden.

Hinweis: Piranha™-Werkzeuge werden nur in einer Laufrichtung verwendet.

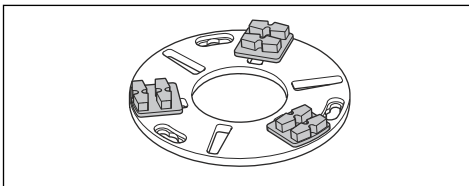
Metallgebundene Diamantwerkzeuge

Hinweis: Wir empfehlen drei Werkzeuge mit einem Segment pro Redi Lock®-Halterscheibe, wenn die Oberfläche oder normaler Beton abgetragen werden soll.

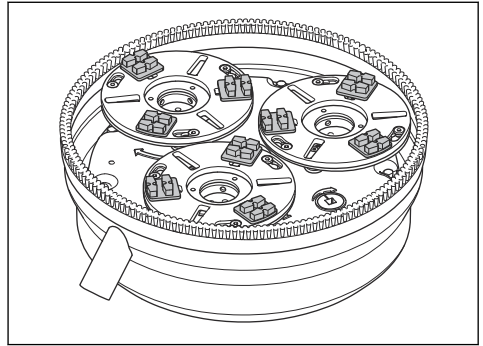
- Verwenden Sie die Redi Lock®-Halterscheibe, um metallgebundene Diamantwerkzeuge zu befestigen.



- Eine Redi Lock®-Halterscheibe mit halbem Satz.

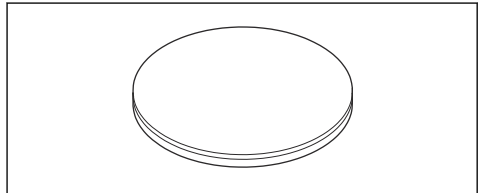


- Schleifkopf mit halbem Satz auf den drei Schleifscheiben.

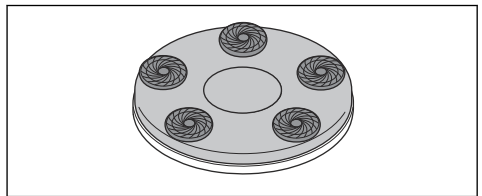


Harzgebundene Diamantwerkzeuge

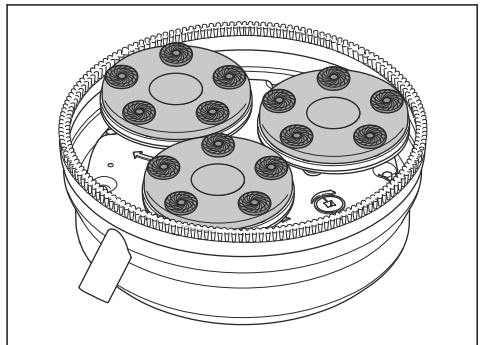
- Verwenden Sie harzgebundene Halterscheiben, um kunststoffgebundene Diamantwerkzeuge zu befestigen.



- An harzgebundener Halterscheibe befestigtes kunststoffgebundenes Werkzeug.

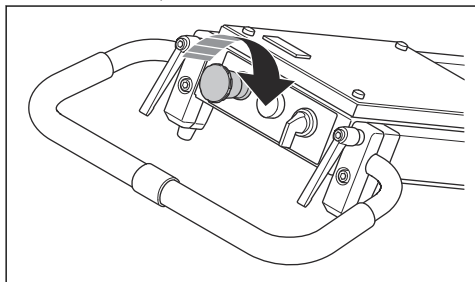


- Schleifkopf mit drei harzgebundenen Halterscheiben und Werkzeugen



Wichtige Schritte, bevor Sie mit dem Gerät arbeiten

1. Lesen Sie die Bedienungsanleitung sorgfältig durch, und vergewissern Sie sich, dass Sie die Anweisungen verstehen.
2. Warten Sie das Gerät täglich. Siehe *Wartung auf Seite 35*.
3. Stellen Sie sicher, dass das Gerät korrekt zusammengebaut und unbeschädigt ist.
4. Stellen Sie das Gerät im Arbeitsbereich ab.
5. Stellen Sie sicher, dass Diamantwerkzeuge auf der Werkzeugplatte vorhanden sind und fest sitzen.
6. Schließen Sie den Staubabsauger an das Gerät an. Siehe *So schließen Sie einen Staubabsauger an auf Seite 34*
7. Stellen Sie den Lenker auf die gewünschte Arbeitshöhe ein.
8. Stellen Sie sicher, dass das Motorkabel an den Schaltkasten angeschlossen ist, bevor das Gerät an eine Steckdose angeschlossen wird.
9. Stecken Sie den Netzstecker des Geräts in die Steckdose.
10. Drehen Sie die Notaus-Taste im Uhrzeigersinn, um sicherzustellen, dass der Notaus deaktiviert ist.



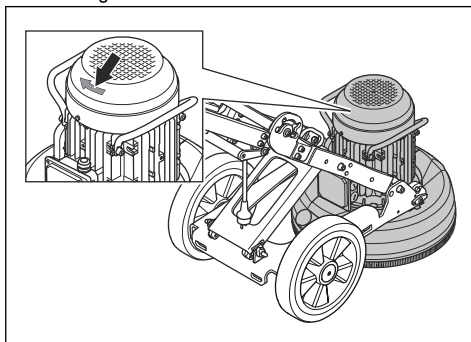
11. Vergewissern Sie sich, in welcher Richtung sich der Motor dreht.

So ändern Sie die Rotationsrichtung des Motors

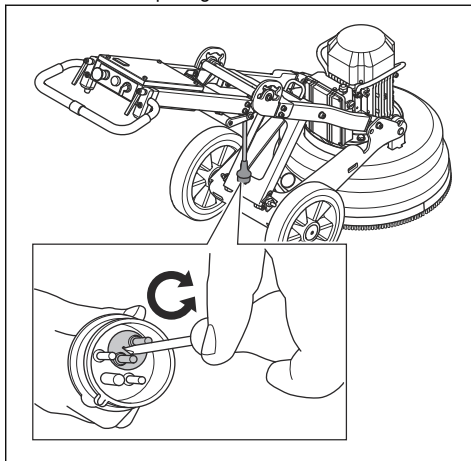


ACHTUNG: Die Piranha-Werkzeuge sind nur für eine Rotationsrichtung vorgesehen.

1. Achten Sie auf den Pfeil, um zu sehen, in welcher Richtung sich der Motor dreht.

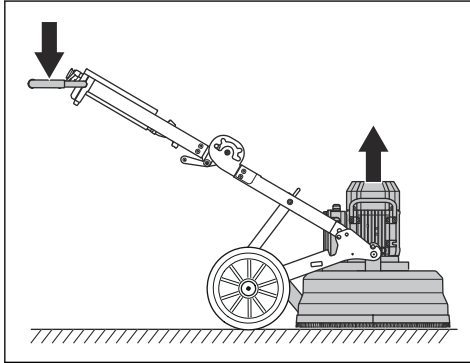


2. Drehen Sie die beiden Stifte im Netzstecker in die entgegengesetzte Richtung, um die Rotationsrichtung des Motors zu ändern. Dies gilt nur für die dreiphasige Version.

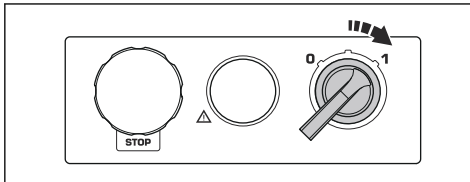


So starten Sie das Gerät

1. Drücken Sie den Lenker leicht um ungefähr 1 mm nach unten, um den Schleifkopf von der Oberfläche zu heben. Dadurch wird der Druck gegen die Oberfläche verringert. Heben Sie den Schleifkopf nicht vollständig von der Oberfläche ab.



2. Schalten Sie den EIN-/AUS-Schalter auf 1, um das Gerät einzuschalten. In weniger als fünf Sekunden arbeitet das Gerät mit der Leerlaufdrehzahl.



Gerät stoppen

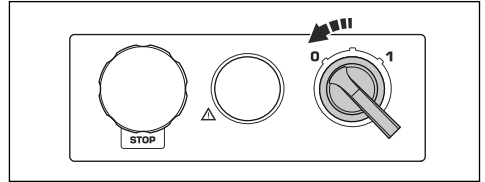


ACHTUNG: Heben Sie die Werkzeugplatte nicht von der Oberfläche ab, wenn Sie den Motor stoppen. Die Werkzeugplatte dreht sich nach dem Stoppen des Motors eine Weile lang weiter. Ein großer Teil des Staubs kann in die Luft geblasen werden, und die Oberfläche kann beschädigt werden.



ACHTUNG: Wenn Sie Asphalt mit Haftmittel, Lack oder ähnliches Material abschleifen, sollten Sie die Vorderseite des Geräts leicht anheben, wenn die Werkzeugplatte stoppt. Das Gerät kann an der Haftfläche festkleben, wenn es nicht angehoben wird.

1. Schalten Sie den EIN-/AUS-Schalter auf 0, um das Gerät zu stoppen.



2. Halten Sie die Werkzeugplatte gegen die Oberfläche. Achten Sie darauf, dass sich die Werkzeugplatte nicht dreht, bevor Sie die Vorderseite anheben.
3. Ziehen Sie den Netzstecker.

So ersetzen Sie die Diamantwerkzeuge

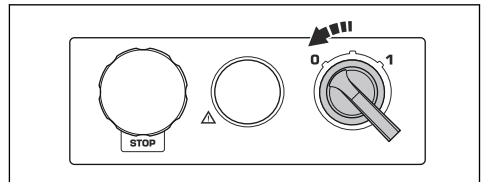


WARNUNG: Ziehen Sie den Netzstecker aus der Steckdose.

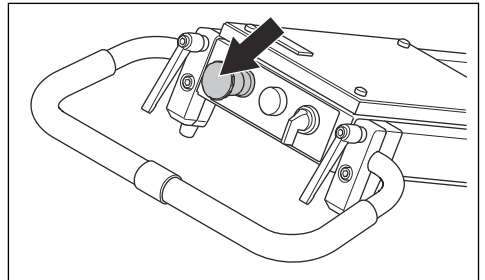


WARNUNG: Verwenden Sie Schutzhandschuhe, da Diamantwerkzeuge sehr heiß werden können.

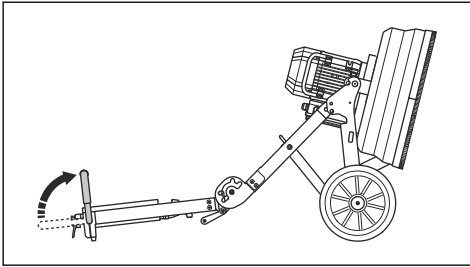
1. Drehen Sie den EIN-/AUS-Schalter auf 0, und ziehen Sie den Netzstecker, um das Gerät auszuschalten.



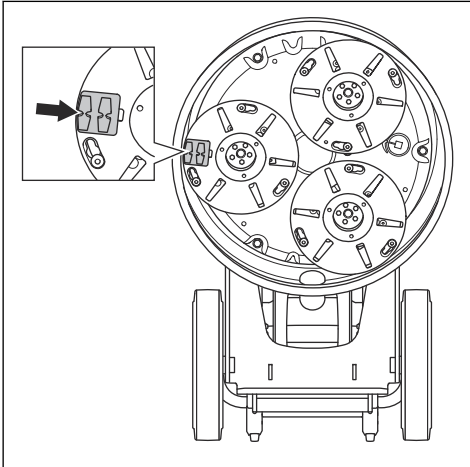
2. Drücken Sie die Notaus-Taste.



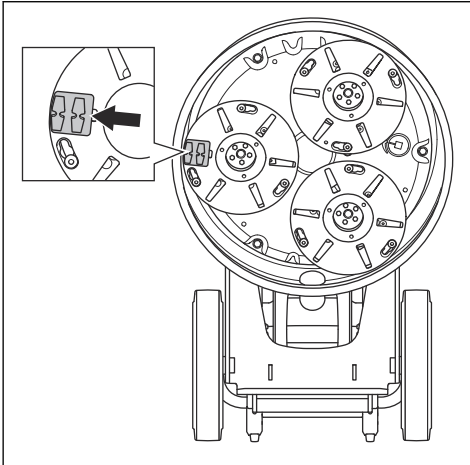
3. Bringen Sie das Gerät in die Wartungsposition.



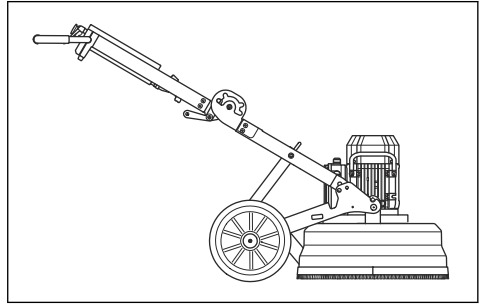
4. Entfernen Sie die Diamantsegmente mit einem Hammer.



5. Befestigen Sie neue Diamantwerkzeuge auf der Werkzeugplatte.



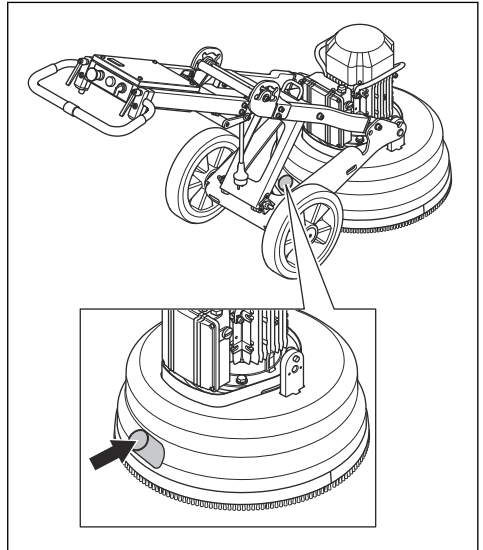
6. Wenn die Diamantwerkzeuge ausgetauscht wurden, bringen Sie das Gerät in die Arbeitsposition.



So schließen Sie einen Staubabsauger an

Verwenden Sie ein Husqvarna-Staubabsaugersystem.

1. Schließen Sie den Staubabsauger an das Gerät an. Verwenden Sie einen 50 mm langen Schlauch.



2. Stellen Sie sicher, dass die Filter im Staubabsauger sauber und unbeschädigt sind. Achten Sie beim Arbeiten auf den Staub.

Wartung

Einleitung



WARNUNG: Bevor Sie eine Wartung durchführen, müssen Sie das Kapitel über die Sicherheit lesen und verstehen.

Für alle Wartungs- und Reparaturarbeiten am Produkt ist eine spezielle Schulung erforderlich. Wir garantieren die Verfügbarkeit von professionellen Reparaturen und Wartungsarbeiten. Wenn Ihr Händler keine Servicewerkstatt ist, sprechen Sie mit ihm, um Informationen über die nächste Servicewerkstatt zu erhalten.

Genauere Informationen finden Sie unter .

Tägliche Wartung

Es gehört zur täglichen Wartung, dass Sie das Gerät reinigen. Darüber sollten Sie die elektrische Stromversorgung, den Bürstenstreifen und den Schleifscheibenhalter überprüfen.

So reinigen Sie das Gerät



ACHTUNG: Ein verstopfter Luftenlass reduziert die Leistung des Geräts und kann dazu führen, dass der Motor zu heiß wird.

- Ziehen Sie immer den Netzstecker aus der Steckdose, bevor Sie das Gerät reinigen, warten oder zusammenbauen.
- Reinigen Sie stets die gesamte Ausstattung am Ende des Arbeitstages. Reinigen Sie das Gerät nicht mit einem Hochdruckreiniger.
- Entfernen Sie Verstopfungen aus den Luftöffnungen. Das Gerät muss immer kühl bleiben.

So kontrollieren Sie die Stromversorgung



WARNUNG: Verwenden Sie keine beschädigten Kabel. Ein beschädigtes Kabel kann zu schweren und tödlichen Verletzungen führen.

- Stellen Sie sicher, dass Strom- und Verlängerungskabel intakt und in gutem Zustand sind.
- Verwenden Sie das Gerät nicht, wenn ein Kabel beschädigt ist. Lassen Sie die Reparatur von einer autorisierten Servicewerkstatt durchführen.

So prüfen Sie den Bürstenstreifen

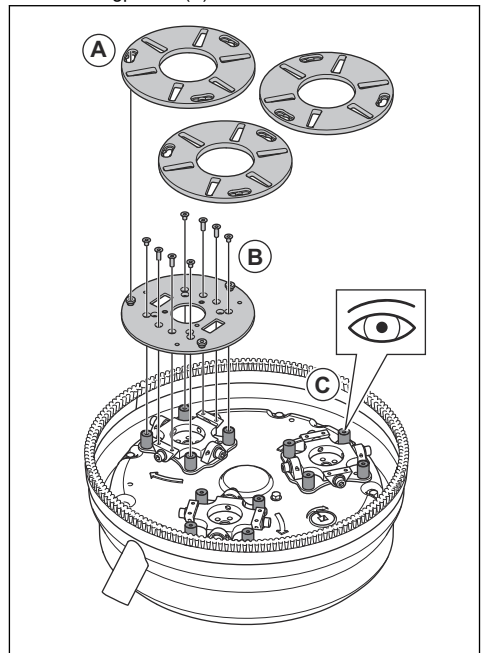
- Stellen Sie sicher, dass der Bürstenstreifen vollständig besetzt ist.
- Stellen Sie sicher, dass der Bürstenstreifen die Oberfläche berührt.

So prüfen Sie den Schleifscheibenhalter



ACHTUNG: Der Zustand des Schleifscheibenhalters ist wichtig für die Leistung und die Sicherheit.

1. Entfernen Sie die Schleifscheiben (A) und die Werkzeugplatten (B).



2. Überprüfen Sie den Schleifscheibenhalter auf Beschädigungen und die Gummizylinder (C) auf Verschleiß.
3. Tauschen Sie die Gummizylinder bei Bedarf aus.

Fehlerbehebung

Das Gerät springt nicht an

- Stellen Sie sicher, dass das Netzteil und die Stromkabel nicht beschädigt sind.
- Überprüfen Sie die Notaus-Taste und drehen Sie sie im Uhrzeigersinn, um den Notaus zu lösen.
- Kontrollieren Sie die Überlastlampe. Wenn die Überlastlampe leuchtet, lassen Sie den Motor ein paar Minuten abkühlen, bis sich das Gerät automatisch zurückgesetzt hat.

Das Gerät ist nicht leicht zu halten

- Es sind zu wenige Diamantwerkzeuge am Gerät installiert.
- Der ausgewählte Typ des Diamantwerkzeugs eignet sich nicht für die Fläche.
- Der Motor arbeitet mit hohem Strom.
- Verwenden Sie die empfohlene Anzahl von Diamantwerkzeugen, um die Kraft auf das Gerät und den Bediener zu verringern. Siehe *Diamantwerkzeuge auf Seite 30*.

Das Gerät erzeugt plötzliche Bewegungen

- Stellen Sie sicher, dass alle Diamantwerkzeuge korrekt installiert sind und dieselbe Höhe haben.

Das Gerät stoppt bereits nach kurzer Zeit.

- Wenn das Gerät überlastet wird, rastet der Überlastschutz ein und stoppt den Motor.
- Verringern Sie die Last. Die untere Bohrung ist für einen höheren Lenker und stärkeren Schleifdruck vorgesehen. Die obere Bohrung ist für einen niedrigeren Lenker und einen geringeren Schleifdruck vorgesehen.
- Das Gerät wird nach ungefähr einer Minute neu gestartet, wenn der Motor auf die normale Temperatur abgekühlt ist.
- Stellen Sie sicher, dass das Verlängerungskabel nicht beschädigt ist.

Das Gerät stoppt beim Einschalten

Für eine gute Motorleistung ist eine korrekte Spannungsversorgung erforderlich. Zu lange Verlängerungskabel und/oder ein zu kleines Maß verringert die Leistung des Motors während der Arbeit.

- Wenn der Motor überlastet wird, leuchtet die Überlastlampe auf. Warten Sie zwei Minuten, und versuchen Sie es erneut. Wenden Sie sich an eine autorisierte Servicewerkstatt, wenn dies nicht hilft.
- Stellen Sie sicher, dass das Verlängerungskabel nicht beschädigt ist.

Transport und Lagerung

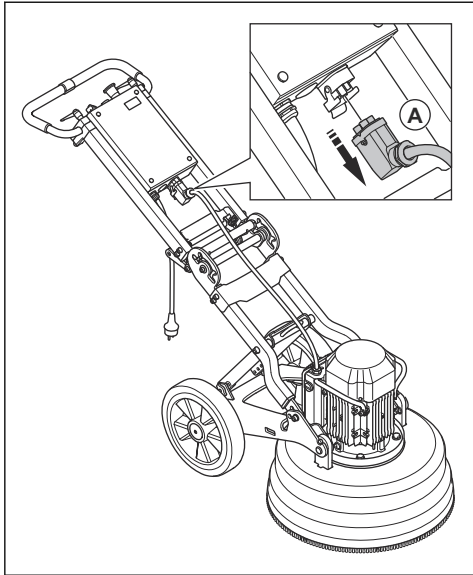
So bringen Sie das Gerät in Transportposition

Schützen Sie das Gerät während des Transports. Durch diesen Schutz werden die Naturelemente wie Regen und Schnee vom Gerät ferngehalten.

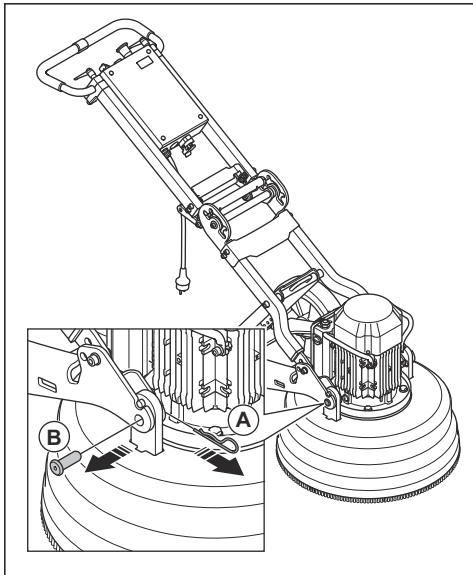
Das Gerät kann in zwei Komponenten aufgeteilt werden. Dadurch wird der Transport erleichtert.

Bewegen Sie das Gerät immer mit der Huböse und dem Lenker.

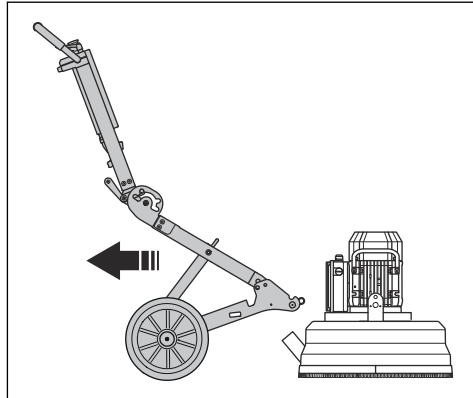
1. Trennen Sie das Motorkabel vom Schaltkasten (A).



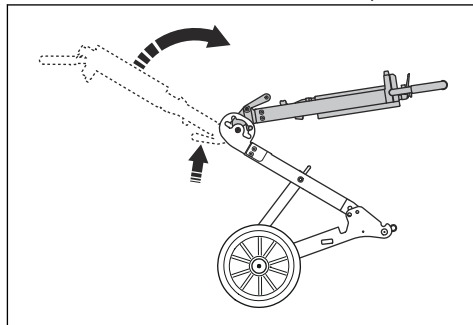
2. Ziehen Sie die Sperrstifte (A) heraus, und entfernen Sie die Sicherungsschrauben (B) auf jeder Seite des Schleifkopfs.



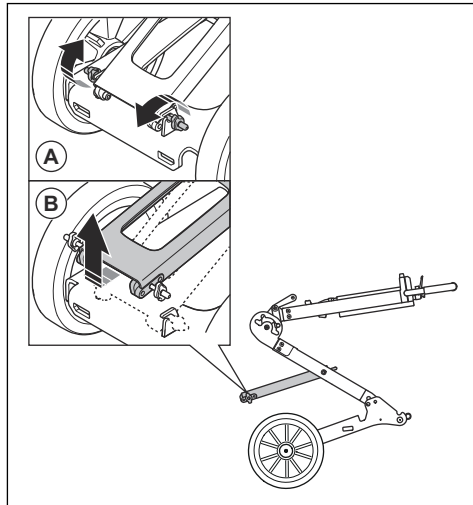
3. Entfernen Sie das Rad-Chassis vom Schleifkopf.



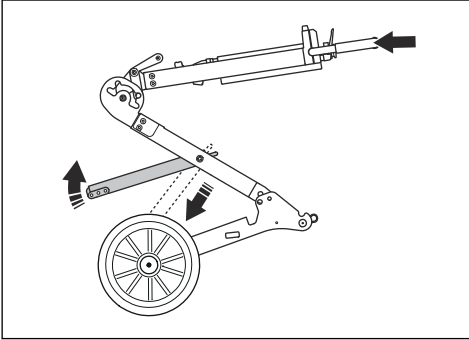
4. Drücken Sie den Griff auf dem mittleren Scharnier, und legen Sie gleichzeitig den oberen Rahmen nach vorn. Das Gerät befindet sich in der Hubposition.



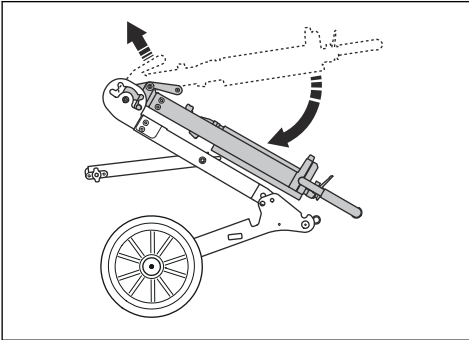
5. Entfernen Sie die Sperrhebel (A), um den Stützfuß (B) zu lösen.



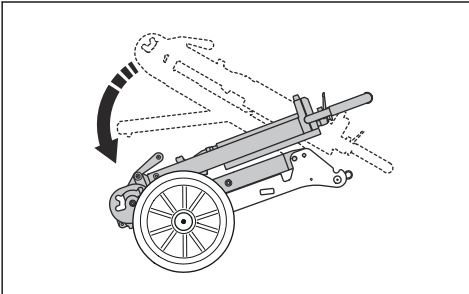
6. Halten Sie den Lenker so, dass der Rahmen stabil bleibt, und heben Sie den Stützfuß nach außen und oben.



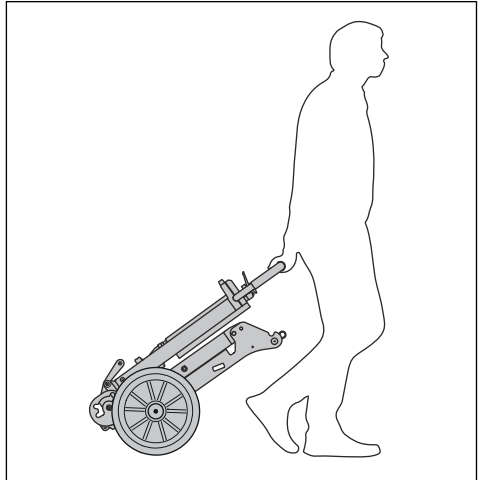
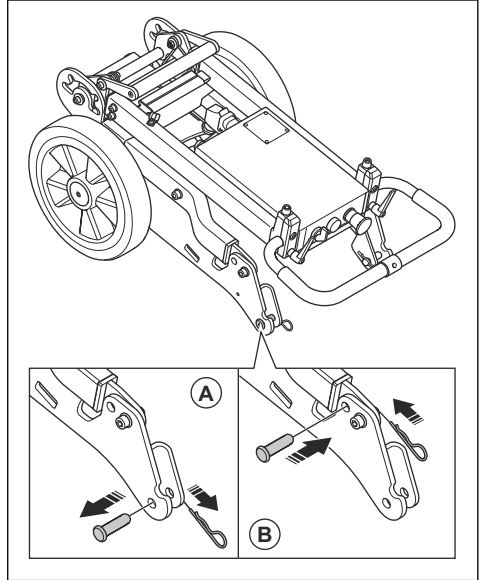
7. Halten Sie den Lenker mit einer Hand fest, und drücken Sie den Griff auf dem mittleren Scharnier. Dadurch wird das Gerät in der zusammengeklappten Position gehalten.



8. Klappen Sie das Gerät sorgfältig zusammen.



9. Verschieben Sie den Sperrstift und die Schlossschraube von Position (A) auf Position (B), um das Gerät zu sperren.



Lagerung des Geräts

- Bewahren Sie das Gerät in einem verschlossenen Bereich auf, um einen unerlaubten Zugriff durch Kinder oder andere nicht befugte Personen zu verhindern.
- Bewahren Sie das Gerät an einem trockenen und frostfreien Bereich auf.

Technische Angaben

Technische Daten

	Dreiphasig, 380-420 V	Dreiphasig, 440-480V	Dreiphasig, 220-240V	Einphasig, 220-240 V	
Motorfrequenz, Hz	50	60	60	50	60
Maximale Leistung in kW	4,0	4,0/5,4	4,0/5,4	2,2/3,0	3,0
Nennstrom, A	9	7	15	13	18
Nennspannung, V	380-420	440-480	220-240	220-240	220-240
Gewicht, kg	133/293	133/293	133/293	120/265	133/293
Schleifbreite, mm/in.	515/20,3	515/20,3	515/20,3	515/20,3	515/20,3
Schleifscheibendurchmesser, mm/in.	230/9	230/9	230/9	230/9	230/9
Schleifdruck, kg/lbs	79/174	79/174	79/174	66/145	80/176
Drehzahl – Schleifscheiben, U/min	560	670	670	540	440

Geräuschpegel

	Dreiphasig, 380-420 V	Dreiphasig, 440-480V	Dreiphasig, 220-240V	Einphasig, 220-240 V	
Geräuschemissionen⁴ dB(A)					
Geräuschpegel L _{WA} (gemessen)	96	96	96	96	96
Geräuschpegel⁵ dB(A)					
Schalldruckpegel am Ohr des Bedieners	81	81	81	81	81
Vibrationswerte⁶ m/s²					
Rechter Griff	1,3	1,3	1,3	1,3	1,3
Linker Griff	1,2	1,2	1,2	1,2	1,2

⁴ Umweltbelastende Geräuschemissionen gemessen als Schalleistung gemäß EN 60335-2-72. Erwartete Messunsicherheit 2,5 dB(A).

⁵ Schalldruckpegel gemäß EN 60335-2-72. Erwartete Messunsicherheit 4 dB(A).

⁶ Vibrationspegel gemäß EN 60335-2-72. Berichten zufolge liegt der Vibrationspegel normalerweise bei einer Ausbreitungsklasse (Standardabweichung) von 1 m/s².

Konformitätserklärung

EU-Konformitätserklärung

Die Husqvarna AB, SE-561 82 Huskvarna, Schweden,
Tel.: +4636-146500, erklärt in alleiniger Verantwortung,
dass das Gerät:

Beschreibung	Polier- und Schleifausrüstung
Marke	Husqvarna
Typ/Modell	PG 510
Identifizierung	Seriennummern ab 2022

die folgenden EU-Richtlinien und -Verordnungen erfüllt:

Richtlinie/Verordnung	Beschreibung
2006/42/EC	„Maschinenrichtlinie“
2014/30/EU	„über elektromagnetische Verträglichkeit“
2011/65/EU	„zur Beschränkung der Verwendung bestimmter gefährlicher Stoffe“

und dass die folgenden Normen und/oder technischen
Daten angewendet werden;

EN ISO 12100:2010

EN 55014-1:2017

EN 55014-1:2021

EN 60335-1:2012/A11:2014/A13:2017

EN 60335-2-72:2012

EN IEC 63000:2018

Partille, 2022-10-11



Martin Huber

Global R&D Director

Verantwortlich für die technische Dokumentation

Sommaire

Introduction.....	41	Dépannage.....	54
Sécurité.....	43	Transport et stockage.....	55
Utilisation.....	47	Caractéristiques techniques.....	57
Entretien.....	53	Déclaration de conformité.....	59

Introduction

Description du produit

Le produit est une meuleuse électrique pour les surfaces en béton de différentes duretés. La gamme de meuleuses peut être utilisée sur des surfaces dures, mais également pour une finition lisse.

Par exemple, le produit est équipé des fonctions suivantes :

- Un cadre qui peut être plié pour faciliter le transport.
- Un capot de tête de meulage qui adapte le mouvement à la couche de la surface.
- La tête de meulage est équipée de 3 disques à meuler. Le kit complet se compose de 6 segments sur chaque disque à meuler.
- Support résine, support pour outils diamantés à liant plastique.

- Disponible en version monophasée ou triphasée.
- Une largeur de meulage de 515 mm.

Utilisation prévue

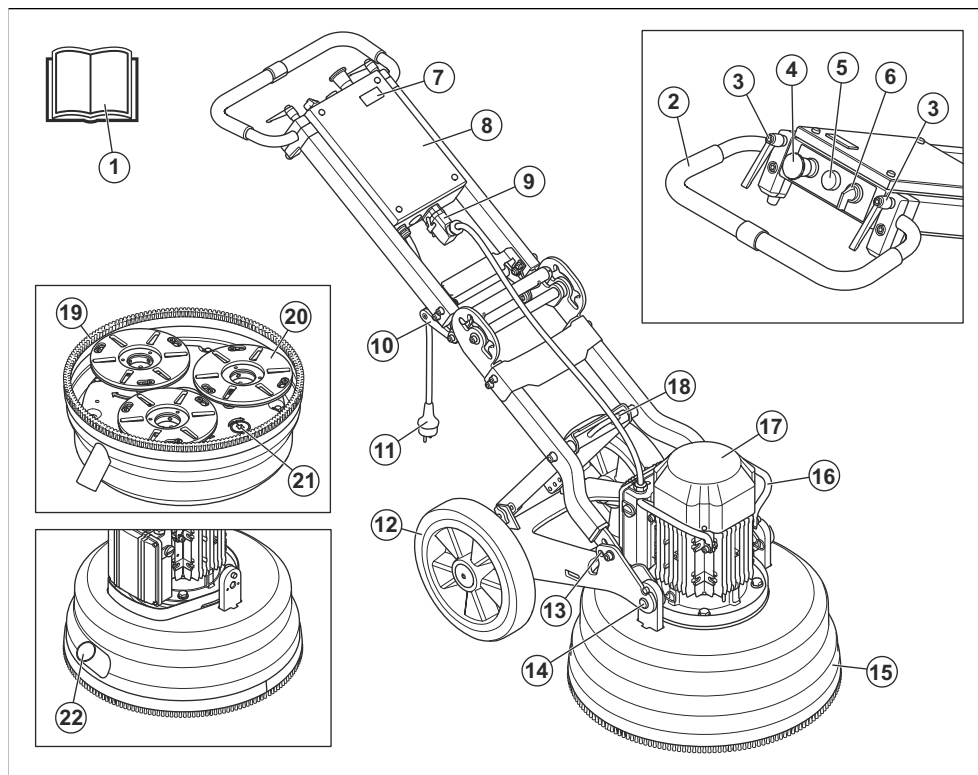
Utilisez le produit pour meuler les surfaces en béton de différentes duretés, comme le terrazo et les dalles en pierre.

Le produit est conçu pour un usage commercial léger au sein de propriétés privées ou de petits commerces.



AVERTISSEMENT: N'utilisez pas ce produit pour d'autres travaux.

Aperçu du produit



1. Manuel de l'opérateur
2. Poignée/Guidon
3. Boutons de verrouillage pour le réglage du guidon
5. Témoin de surcharge
6. Interrupteur de marche/arrêt
7. Compteur horaire
8. Boîtier électrique
9. Connexion pour le câble du moteur
10. Poignée à angle
11. Prise de courant
12. Roues en caoutchouc
13. Fonction de verrouillage
14. Boulon de verrouillage pour fixer la tête de meulage/le moteur
15. Capot de tête de meulage
16. Poignée de levage, moteur
17. Moteur électrique
18. Anneau de levage
19. Brosse
20. Plaque de l'outil - 3 disques à meuler

21. Plaque arrière/inférieure - tête de meulage
22. Raccordement, tuyau d'aspiration

Symboles concernant le produit



AVERTISSEMENT : Une utilisation négligente ou inadaptée peut provoquer des blessures, voire la mort, pour l'opérateur ou les personnes à proximité.



Lisez avec attention le manuel d'utilisation et assurez-vous de bien comprendre les instructions avant d'utiliser ce produit.



Portez toujours des protège-oreilles, des protections pour les yeux et une protection respiratoire.



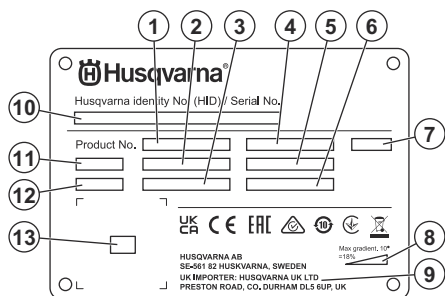
AVERTISSEMENT ! La poussière peut entraîner des problèmes respiratoires. Utilisez un masque respiratoire. Ne respirez pas les fumées d'échappement Assurez-vous systématiquement de la bonne circulation de l'air.



Ce produit est conforme aux directives CE en vigueur.

Remarque: les autres symboles/autocollants présents sur le produit concernent des exigences de certification spécifiques à certains marchés.

Plaque signalétique



1. Référence de produit
2. Poids du produit
3. Puissance nominale
4. Tension nominale
5. Intensité nominale
6. Fréquence
7. Boîtier
8. Angle de pente maximal
9. Fabricant/importateur
10. Numéro de série
11. Modèle
12. Année de production
13. QR code

Responsabilité

Conformément à la loi sur la responsabilité du fait des produits, nous déclinons toute responsabilité pour tout dommage causé par notre produit si :

- le produit n'est pas correctement réparé ;
- le produit est réparé avec des pièces qui ne proviennent pas du fabricant ou qui ne sont pas homologuées par le fabricant ;
- le produit est équipé d'un accessoire qui ne provient pas du fabricant ou qui n'est pas homologué par le fabricant ;
- le produit n'est pas réparé par un centre d'entretien agréé ou par une autorité homologuée.

Sécurité

Définitions de sécurité

Des avertissements, des recommandations et des remarques sont utilisés pour souligner des parties spécialement importantes du manuel.



AVERTISSEMENT: Symbole utilisé en cas de risque de blessures ou de mort pour l'opérateur ou les personnes à proximité si les instructions du manuel ne sont pas respectées.



REMARQUE: Symbole utilisé en cas de risque de dommages pour le produit, d'autres matériaux ou les environs si les instructions du manuel ne sont pas respectées.

Remarque: Symbole utilisé pour donner des informations supplémentaires pour une situation donnée.

Instructions générales de sécurité



AVERTISSEMENT: Lisez les instructions qui suivent avant d'utiliser le produit. Conservez tous les avertissements de sécurité et toutes les instructions. Si nécessaire, reportez-vous aux avertissements et instructions pour les travaux ultérieurs.

- La section sur la sécurité fournie des instructions de base d'utilisation correcte du produit. Ces informations ne remplacent pas l'expérience et les connaissances d'un professionnel. Si vous ne vous sentez pas en sécurité dans une situation, arrêtez et demandez l'aide d'un professionnel. Parlez-en à votre revendeur, à votre agent d'entretien ou à un opérateur expérimenté. Ne tentez pas d'effectuer une tâche si vous ne vous sentez pas en sécurité.
- La zone de travail doit rester propre et lumineuse pour limiter le risque d'accident.

Consignes de sécurité pour le fonctionnement



AVERTISSEMENT: Lisez les instructions qui suivent avant d'utiliser le produit. Conservez tous les avertissements et toutes les instructions pour toute opération ultérieure.



AVERTISSEMENT: Une exposition excessive aux vibrations peut entraîner des troubles circulatoires ou nerveux chez les personnes sujettes à des troubles cardiovasculaires. Consultez un médecin en cas de symptômes liés à une exposition excessive aux vibrations. Ces symptômes peuvent être les suivants : insensibilisation ou irritation locale, douleur, chatouillements, faiblesse musculaire, décoloration ou modification cutanée. Ces symptômes affectent généralement les doigts, les mains ou les poignets.

- Utilisez uniquement le produit pour les opérations décrites dans le présent manuel. Reportez-vous à *Utilisation prévue à la page 41*.
- Utilisez un équipement de protection personnelle. Reportez-vous à *Équipement de protection individuel à la page 44*.
- Ne vous éloignez pas du produit lorsque le moteur est allumé.
- Connectez le câble du moteur au boîtier électrique avant de brancher la prise.
- Ne laissez pas d'autres opérateurs utiliser le produit s'ils n'ont pas lu et compris le contenu de ce manuel d'utilisation.
- Faites démarrer le produit uniquement lorsque la brosse est fixée. La brosse doit adhérer fermement à la surface, surtout dans le cadre d'opérations sur surface sèche.
- Assurez-vous que la brosse n'est pas endommagée et qu'elle est propre. Remplacez la brosse en cas de dommages.
- Laissez le moteur tourner jusqu'à ce que le ventilateur s'arrête complètement.
- Soulevez la tête de meulage si vous devez contrôler la procédure de démarrage.
- Ne faites pas démarrer le produit lorsque la tête de meulage est positionnée sur la surface.
- Assurez-vous que seules les personnes autorisées se trouvent dans la zone de travail.
- N'utilisez pas ce produit dans des zones présentant un risque d'incendie ou d'explosion.
- Démontez toujours l'outil diamanté après chaque opération.
- Si vous soulevez le produit, assurez-vous que la plaque de l'outil ne tourne pas. La plaque de l'outil

continue à tourner pendant un moment après l'arrêt du moteur.

- Lorsque vous retirez les outils diamantés, laissez le produit refroidir et utilisez des gants de protection. Après utilisation, les outils diamantés sont très chauds.
- Assurez-vous de brancher le produit sur un extracteur de poussière pour éliminer la poussière.
- Assurez-vous que le produit est monté correctement.
- Pour soulever le produit, utilisez toujours l'anneau de levage du produit.
- N'utilisez pas le produit si vous détectez des signes de dommage.
- Ne faites pas démarrer le produit lorsque la tête de meulage touche la surface, excepté pour un contrôle de l'interrupteur marche/arrêt.
- Utilisez le produit uniquement lorsque vous vous trouvez à l'arrière, avec les 2 mains sur la poignée.
- N'utilisez pas le produit sauf si vous bénéficiez d'une formation préalable. Assurez-vous que tous les opérateurs suivent une formation.
- Assurez-vous que seules les personnes autorisées se trouvent dans la zone de travail, car il existe un risque de blessures graves.
- Assurez-vous que des vêtements, cheveux longs et bijoux ne peuvent pas se coincer dans les pièces en mouvement.
- Veillez à vous tenir dans une position stable et sûre pendant l'utilisation du produit.
- L'apparition soudaine de personnes et d'animaux peut empêcher l'utilisation en toute sécurité du produit. Utilisez toujours le produit avec précaution et soyez prêt à l'arrêter si nécessaire.
- Mettez le produit hors de portée des enfants et ne les laissez pas l'utiliser.
- Assurez-vous qu'il y a toujours une personne supplémentaire à proximité lorsque vous utilisez le produit. En cas d'accident, vous pourrez obtenir de l'aide si nécessaire.
- N'utilisez pas le produit si vous êtes fatigué ou malade, ou si vous êtes sous l'emprise d'alcool, de drogues ou de médicaments. Cela peut diminuer votre acuité visuelle, votre jugement ou la coordination de vos mouvements.
- N'utilisez pas un produit dont les spécifications d'usine ont été modifiées.
- Utilisez uniquement des accessoires homologués. Pour davantage d'informations, contactez votre revendeur.

Équipement de protection individuel



AVERTISSEMENT: Lisez les instructions qui suivent avant d'utiliser le produit.

- Utilisez toujours un équipement de protection individuel approprié lorsque vous faites fonctionner le produit. L'équipement de protection individuel

n'empêche pas le risque de blessures. L'équipement de protection individuel diminue la gravité des blessures en cas d'accident. Faites appel à votre revendeur pour vous aider à sélectionner l'équipement adéquat.

- Utilisez des protections pour les yeux homologuées pendant que vous utilisez le produit.
- Ne portez pas de vêtements lâches, lourds ou inadaptés. Portez des vêtements qui garantissent votre liberté de mouvement.
- Utilisez des gants de protection homologués qui permettent de tenir fermement des objets.
- Utilisez des gants de protection en caoutchouc afin d'éviter toute irritation de la peau due au béton humide.
- Utilisez un casque de protection homologué.
- Utilisez toujours des protecteurs d'oreille homologués pendant l'utilisation du produit. Une exposition au bruit sur de longues périodes peut provoquer une perte d'audition.
- Le produit génère de la poussière et des fumées qui contiennent des produits chimiques dangereux. Utilisez une protection respiratoire homologuée.
- Utilisez des bottes avec embouts en acier et semelles antidérapantes.
- Assurez-vous de disposer d'une trousse de premiers soins à proximité.
- Des étincelles peuvent se produire lorsque vous utilisez le produit. Assurez-vous de disposer d'un extincteur à proximité.

Sécurité électrique



AVERTISSEMENT: les produits électriques présentent toujours un risque de choc. N'utilisez pas le produit dans de mauvaises conditions météorologiques. Ne touchez pas de paratonnerres ni d'objets métalliques. Utilisez toujours le produit comme indiqué dans ce manuel d'utilisation pour éviter les blessures.



REMARQUE: le produit répond aux exigences de la norme EN61000-3-11 et est soumis au branchement conditionnel au secteur. Consultez votre distributeur d'électricité pour obtenir des instructions sur le branchement du produit.

Branchez uniquement le produit sur le secteur si la résistance est inférieure à 0,28 Ω. Consultez votre distributeur d'électricité pour obtenir le point d'interface de la résistance du système.

Si la résistance du secteur est plus élevée, de brèves chutes de tension peuvent se produire lorsque le produit est démarré. Cela peut affecter le fonctionnement d'autres

produits ; les lampes peuvent par exemple scintiller.

- Assurez-vous que la tension d'alimentation, des fusibles et du secteur est identique à celle indiquée sur la plaque signalétique du produit.
- Arrêtez toujours le produit avant de débrancher la prise de courant.
- N'utilisez pas le produit si le cordon ou la prise est endommagé(e). Confiez-le à un centre de service homologué pour réparation. Un câble endommagé peut provoquer des blessures très graves, voire mortelles.
- Utilisez le cordon correctement. N'utilisez pas le cordon pour déplacer, tirer ou débrancher le produit. Tenez la fiche pour débrancher le câble d'alimentation.
- N'utilisez pas le produit dans un trou d'eau suffisamment profond pour mouiller l'équipement du produit. L'équipement peut être endommagé et le produit peut être mis sous tension et causer des blessures.
- N'ajoutez pas plus d'humidité au produit que celle fournie par le système d'eau. Ne laissez pas le produit entrer en contact avec la pluie. L'eau qui pénètre dans un outil électrique augmente le risque de choc électrique.
- Le cordon d'alimentation doit toujours être débranché lorsque vous branchez ou débranchez la connexion du câble du moteur et du boîtier électrique.

Instructions pour produit mis à la terre



AVERTISSEMENT: un mauvais branchement peut provoquer un choc électrique. Consultez un électricien homologué si vous n'êtes pas certain que votre prise secteur est correctement mise à la terre.

Ne modifiez pas la prise de courant par rapport à ses spécifications d'usine.

Si la fiche d'alimentation ou le cordon d'alimentation est endommagé ou doit être remplacé, adressez-vous à votre agent d'entretien Husqvarna. Respectez la législation et les réglementations locales.

Si vous n'avez pas bien compris les instructions de mise à la terre du produit, consultez un électricien homologué.

Utilisez uniquement des rallonges d'extérieur mises à la terre ainsi que des fiches de terre et une prise de terre adaptées à la fiche du produit.

Le produit est équipé d'un cordon d'alimentation de mise à la terre et d'une prise de courant. Branchez systématiquement le produit sur une prise secteur mise

à la terre. Cela permet de réduire le risque de choc électrique en cas de dysfonctionnement.

N'utilisez pas d'adaptateurs électriques avec le produit.

Rallonges

- Utilisez uniquement des rallonges homologuées d'une longueur suffisante.
- La valeur nominale sur la rallonge doit être identique ou supérieure à celle indiquée sur la plaque signalétique du produit.
- Utilisez des câbles de rallonge mis à la terre.
- Lorsque vous utilisez l'outil à l'extérieur, utilisez une rallonge adaptée à un usage extérieur. Cela réduit le risque de choc électrique.
- Maintenez la connexion de la rallonge au sec et au-dessus du sol.
- Maintenez la rallonge à l'écart de la chaleur, d'huile, de bords tranchants ou de pièces en mouvement. Un câble endommagé augmente le risque de choc électrique.
- Assurez-vous que la rallonge est en bon état et non endommagée.
- N'utilisez pas la rallonge lorsqu'elle est enroulée. Cela peut entraîner une surchauffe de la rallonge.
- Assurez-vous que la rallonge est derrière vous et derrière le produit lorsque vous utilisez le produit. Cela empêche toute dégradation de la rallonge.

Dispositifs de sécurité sur le produit

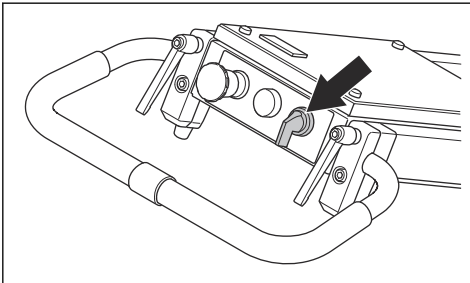


AVERTISSEMENT: Lisez les instructions qui suivent avant d'utiliser le produit.

- N'utilisez pas un produit avec des dispositifs de sécurité défectueux.
- Contrôlez régulièrement les dispositifs de sécurité, reportez-vous à *Entretien quotidien* à la page 53. Si les dispositifs de sécurité sont défectueux, parlez-en à votre agent d'entretien Husqvarna homologué.
- Ne modifiez pas les dispositifs de sécurité.

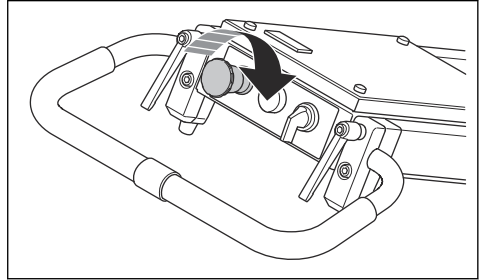
Interrupteur de marche/arrêt

L'interrupteur marche/arrêt permet de faire démarrer et d'arrêter le produit.

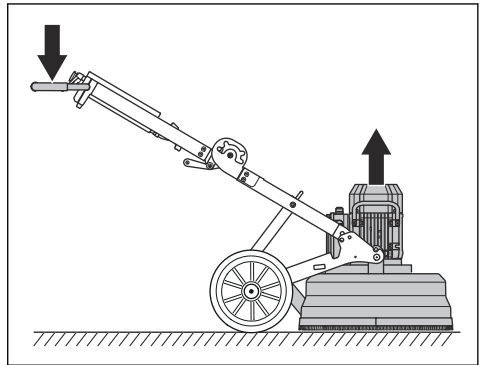


Pour contrôler l'interrupteur marche/arrêt

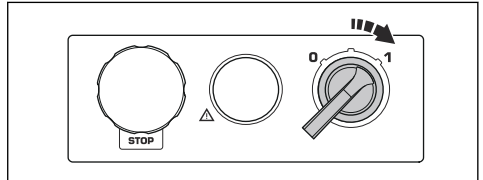
1. Tournez le bouton d'arrêt d'urgence dans le sens des aiguilles d'une montre pour vous assurer qu'il est désengagé.



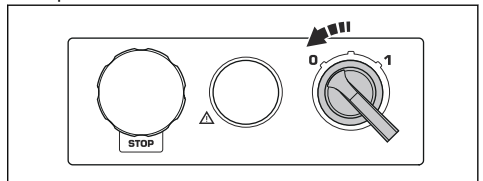
2. Abaissez la poignée pour soulever la tête de meulage du sol.



3. Placez l'interrupteur marche/arrêt sur 1 pour faire démarrer le produit.

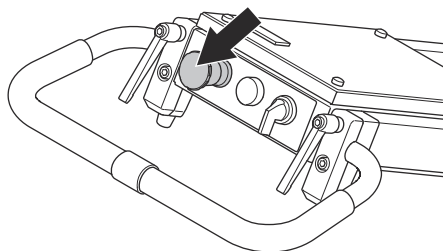


4. Patientez 5 secondes pour laisser le produit atteindre le régime de ralenti.
5. Placez l'interrupteur marche/arrêt sur 0 pour arrêter le produit.



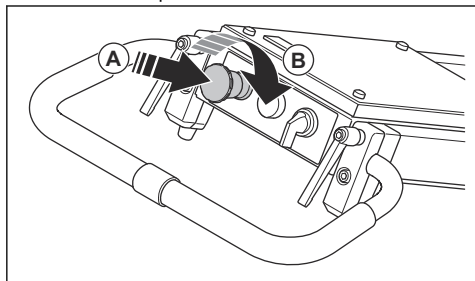
Arrêt d'urgence

L'arrêt d'urgence permet d'arrêter rapidement le moteur. L'arrêt d'urgence du produit coupe l'alimentation électrique du secteur.



Pour contrôler l'arrêt d'urgence

1. Appuyez sur le bouton d'arrêt d'urgence (A) et assurez-vous que le moteur s'arrête.



2. Tournez le bouton d'arrêt d'urgence dans le sens des aiguilles d'une montre (B) pour le désengager.

Instructions de sécurité pour l'entretien

- Assurez-vous que toutes les pièces sont en bon état et que toutes les fixations sont correctement serrées.
- N'utilisez pas un produit défectueux. Effectuez les contrôles de sécurité, d'entretien et de maintenance indiqués dans ce manuel. Toutes les autres tâches d'entretien doivent être effectuées par un agent d'entretien homologué.
- Arrêtez le moteur et débranchez la fiche d'alimentation lorsque vous remplacez les outils diamantés.
- Effectuez l'inspection et/ou l'entretien avec le moteur arrêté et la prise de courant débranchée.
- Effectuez l'entretien pour vous assurer que le produit fonctionne correctement. Reportez-vous à la section *Entretien quotidien à la page 53*.

Utilisation

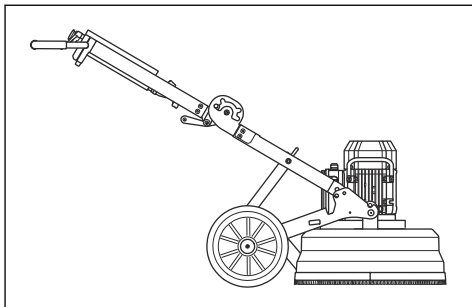
Introduction



AVERTISSEMENT: Avant d'utiliser le produit, vous devez lire et comprendre le chapitre sur la sécurité.

Positions du produit

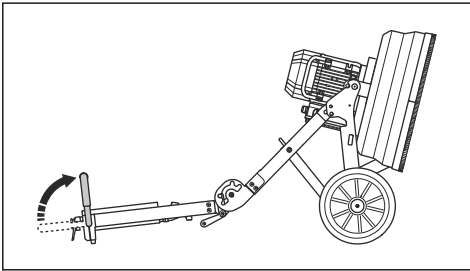
Position de fonctionnement



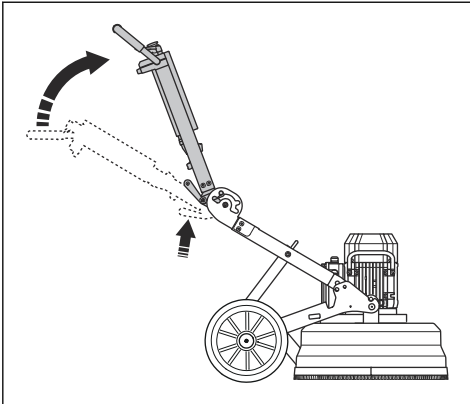
Position d'entretien



REMARQUE: placez le produit en position d'entretien uniquement sur une surface horizontale.

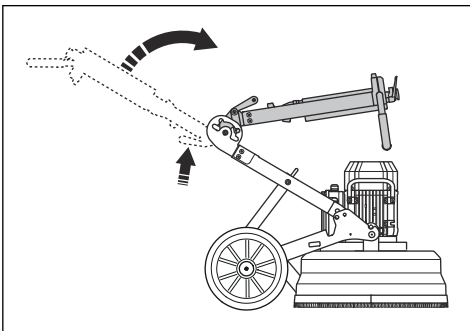


Position de transport inclinée



Position de transport relevée

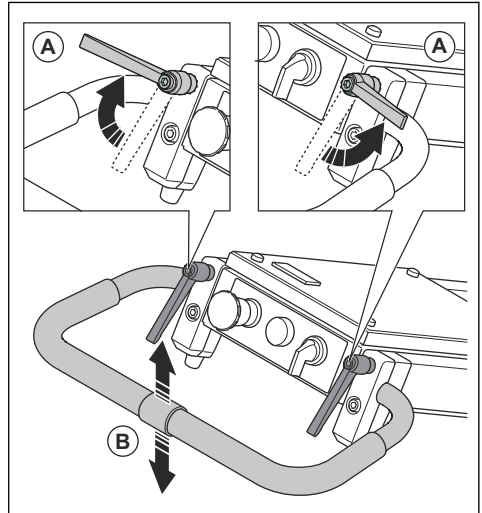
Placez une protection entre le moteur et le boîtier électrique pour éviter d'endommager le produit.



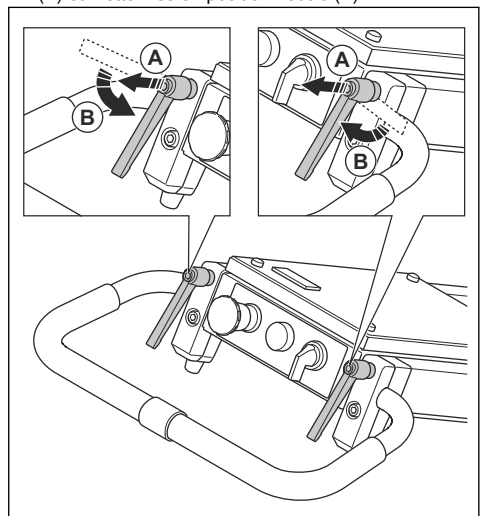
Pour régler le guidon

Les boutons de verrouillage de la poignée tournent dans le sens des aiguilles d'une montre et dans le sens contraire des aiguilles d'une montre, et peuvent être placés en position neutre.

1. Desserrez les boutons de verrouillage (A) et positionnez la poignée (B) en position neutre.



2. Serrez les boutons de verrouillage pour régler la position.
3. Lorsque la position de la poignée est réglée, tirez les boutons de verrouillage de la poignée vers le haut (A) et mettez-les en position neutre (B).

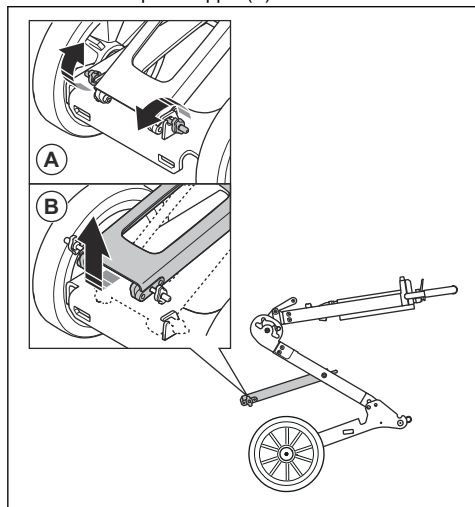


Pour régler la hauteur du cadre

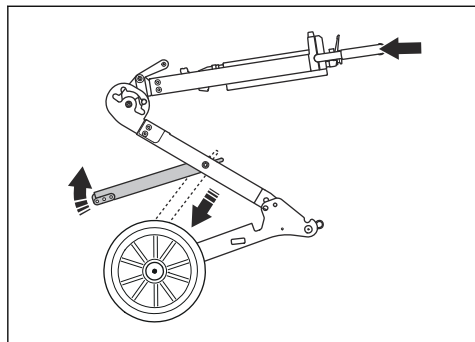
L'angle du cadre peut être modifié pour répartir le poids du cadre. Cela permet de réduire ou d'augmenter la pression de meulage sur la surface.

Réglez l'angle pour configurer une position de travail agréable pour différents opérateurs.

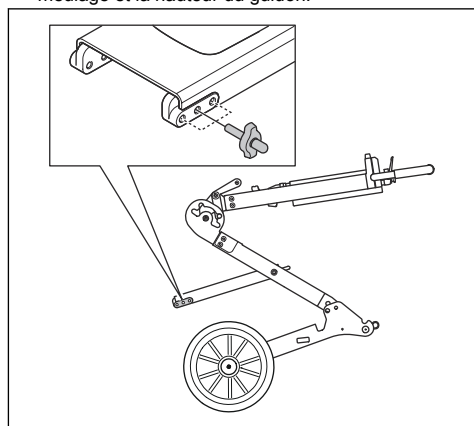
1. Retirez les boutons de verrouillage (A) pour desserrer le pied d'appui (B).



2. Maintenez le guidon pour assurer la stabilité du cadre et soulevez le pied d'appui vers l'extérieur et vers le haut.



3. Sélectionnez la position correspondant à l'utilisation et serrez le bouton de verrouillage. Le trou inférieur augmente la pression de meulage et la hauteur du guidon. Le trou supérieur diminue la pression de meulage et la hauteur du guidon.



Hauteurs de la poignée

Position du trou	Hauteur de la poignée, mm
Haut	765
Central	870
Inférieur	960

Outils diamantés

De nombreux types d'outils diamantés sont disponibles pour le produit. Consultez votre centre d'entretien homologué ou rendez-vous sur www.husqvarnacp.com pour choisir le bon outil diamanté.

Installation des outils diamantés

L'installation des outils diamantés sur la plaque de l'outil a des conséquences sur les performances de l'outil. Le type d'outil diamanté et le nombre de segments qu'il contient sont des facteurs importants.

Utilisez des outils diamantés à liant métallique à 2 segments pour les opérations de meulage habituelles, pour mettre la surface à niveau ou pour un enlèvement léger de matière.

Utilisez les outils diamantés à liant métallique à 1 segment en diamant pour augmenter la pression de l'outil diamanté. Cette installation convient aux travaux d'enlèvement intensif avec une force importante.

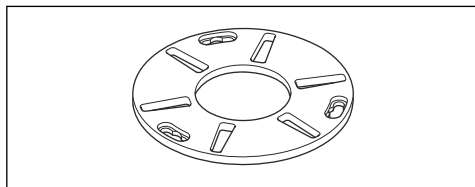
Pour l'enlèvement le plus intensif, nous vous recommandons d'utiliser des outils qui fonctionnent uniquement dans un sens avec des extrémités supérieures en diamant PCD.

Remarque: les outils Piranha™ sont conçus pour fonctionner dans un seul sens.

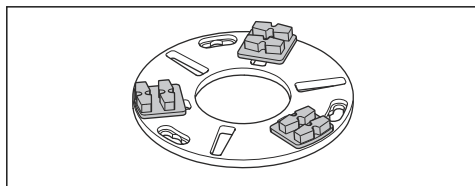
Outils en diamant à liant métallique

Remarque: Nous vous recommandons d'utiliser 3 outils à 1 segment sur chaque disque support Redi Lock® pour retirer le béton normal ou les surfaces en béton.

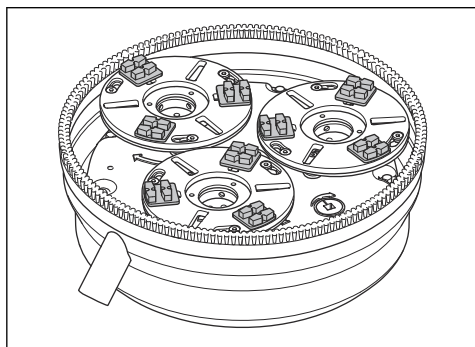
- Utilisez le disque de meulage Redi Lock® pour fixer les outils diamantés à liant métallique.



- Un disque support Redi Lock® avec demi-kit.

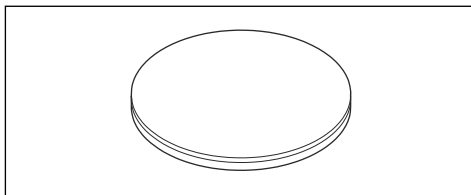


- Tête de meulage avec demi-kit sur les 3 disques à meuler.

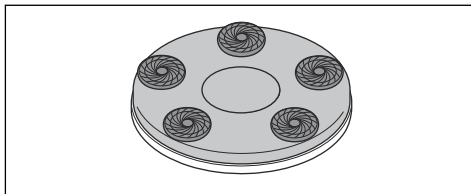


Outils diamantés à liant en résine

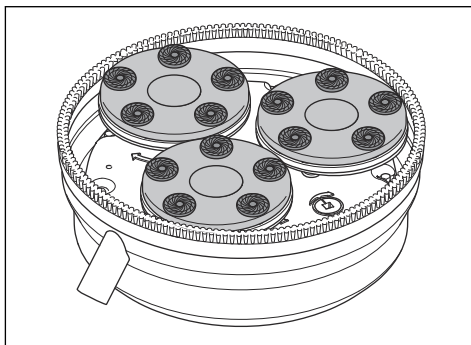
- Utilisez un disque support résine pour fixer les outils diamantés à liant plastique.



- Outil à liant plastique fixé au disque support résine.



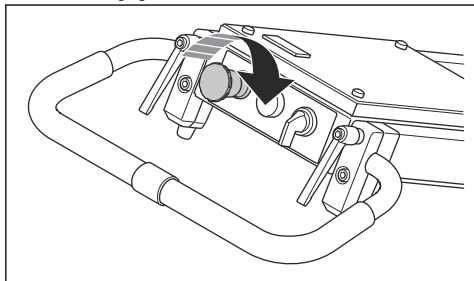
- Tête de meulage à 3 disques supports résine et outils



À faire avant de démarrer le produit

1. Lisez attentivement le manuel d'utilisation et assurez-vous de bien comprendre les instructions.
2. Effectuez l'entretien quotidien. Reportez-vous à la section *Entretien à la page 53*.
3. Assurez-vous que le produit est correctement monté et qu'il n'est pas endommagé.
4. Placez le produit sur la zone de travail.
5. Assurez-vous qu'il y a des outils diamantés sur la plaque de l'outil et qu'ils sont bien fixés.
6. Branchez l'extracteur de poussière sur le produit. Reportez-vous à *Pour brancher un extracteur de poussière à la page 53*
7. Réglez le guidon pour définir la hauteur de travail nécessaire.
8. Assurez-vous que le câble du moteur est connecté au boîtier électrique avant de brancher le produit sur une prise électrique.
9. Branchez la prise de courant sur la prise secteur.

10. Tournez le bouton d'arrêt d'urgence dans le sens des aiguilles d'une montre pour vous assurer qu'il est désengagé.



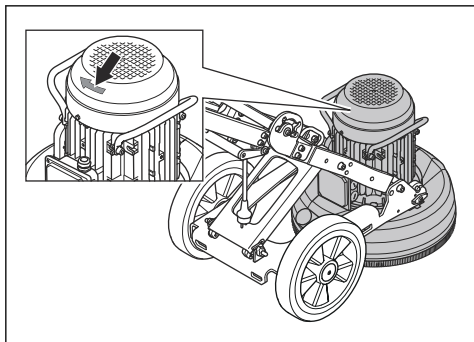
11. Assurez-vous de savoir dans quel sens le moteur tourne.

Pour modifier le sens de rotation du moteur

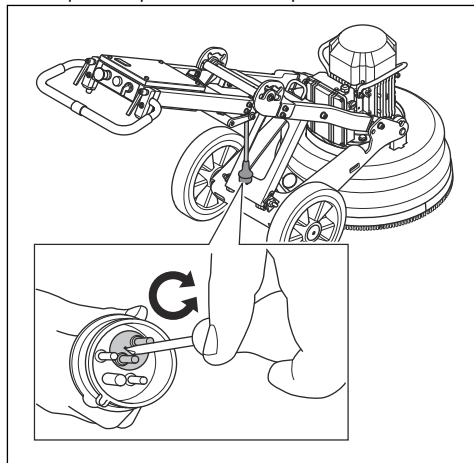


REMARQUE: Les outils Piranha sont conçus pour tourner dans un seul sens.

1. Observez la flèche pour voir dans quel sens le moteur tourne.

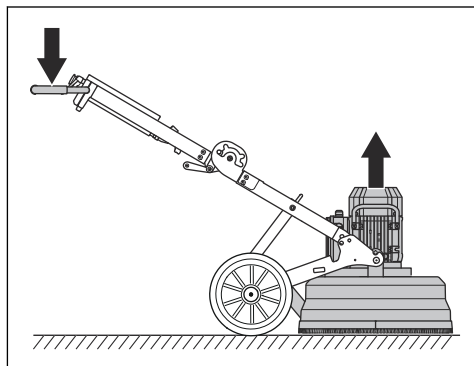


2. Faites tourner les 2 fiches de la prise de courant dans le sens opposé pour modifier le sens de rotation du moteur. Cette instruction est applicable uniquement pour du courant triphasé.

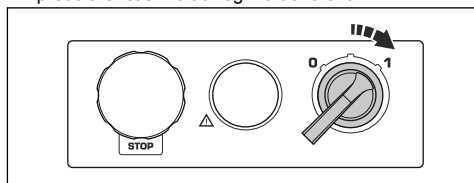


Pour démarrer le produit

1. Abaissez légèrement la poignée pour soulever la tête de meulage à environ 1 mm de la surface. Cela permet de réduire la pression contre la surface. Ne levez pas complètement la tête de meulage de la surface.



2. Placez l'interrupteur marche/arrêt sur 1 pour faire démarrer le produit. En moins de 5 secondes, le produit fonctionne au régime de ralenti.



Pour arrêter le produit

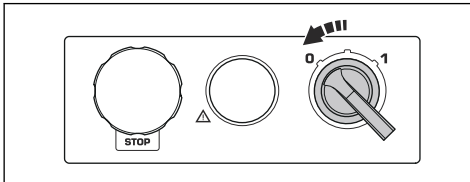


REMARQUE: ne soulevez pas la plaque de l'outil de la surface lorsque vous arrêtez le moteur. La plaque de l'outil tourne pendant un moment après l'arrêt du moteur. La majeure partie de la poussière peut être soufflée dans l'air et la surface risque d'être endommagée.



REMARQUE: Si vous meulez un matériau adhésif, de l'asphalte, de la peinture ou un matériau équivalent, soulevez légèrement l'avant du produit lorsque la plaque de l'outil s'arrête. Le produit peut coller à la surface adhésive s'il n'est pas soulevé.

1. Placez l'interrupteur marche/arrêt sur 0 pour arrêter le moteur.



2. Maintenez la plaque de l'outil contre la surface. Assurez-vous que la plaque de l'outil ne tourne pas avant de soulever l'avant.
3. Débranchez la prise de courant.

Pour remplacer les outils diamantés

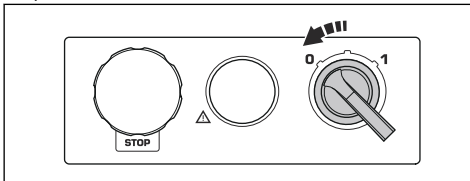


AVERTISSEMENT: Débranchez la fiche d'alimentation électrique.

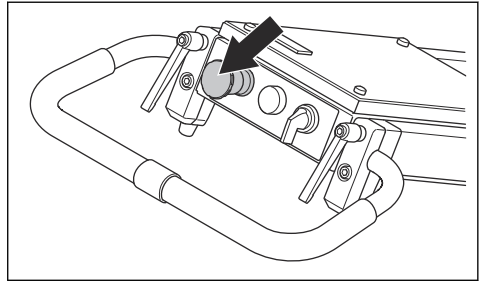


AVERTISSEMENT: Utilisez des gants de protection : les outils diamantés peuvent beaucoup chauffer.

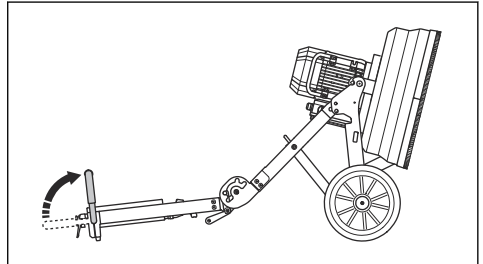
1. Placez l'interrupteur marche/arrêt sur 0 et débranchez la prise de courant pour arrêter le produit.



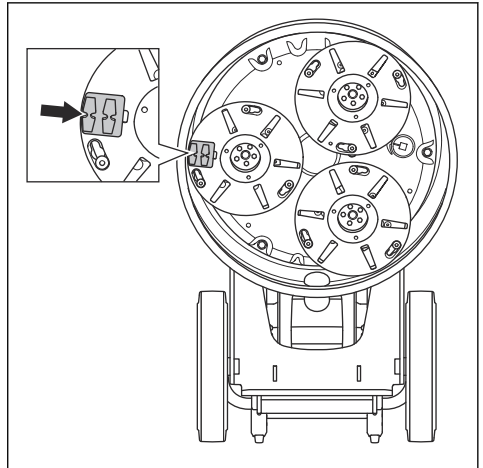
2. Appuyez sur le bouton d'arrêt d'urgence.



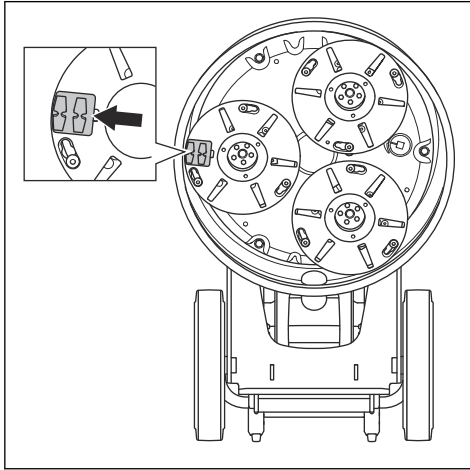
3. Placez le produit en position d'entretien.



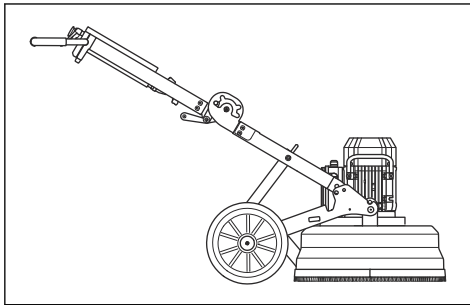
4. Utilisez un marteau pour retirer les outils diamantés.



5. Fixez les outils diamantés neufs sur la plaque de l'outil.



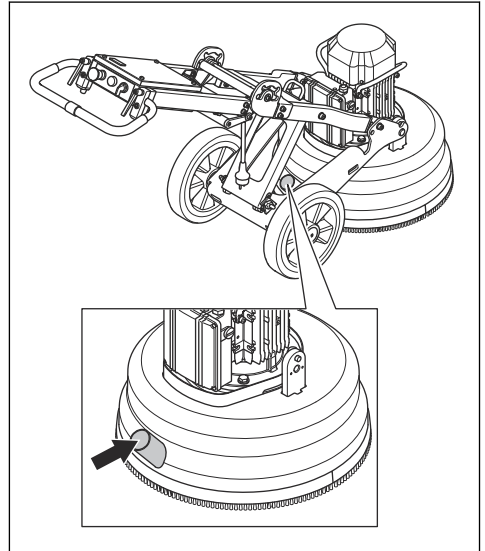
6. Lorsque les outils diamantés sont remplacés, placez le produit en position de fonctionnement.



Pour brancher un extracteur de poussière

Utilisez un système extracteur de poussière Husqvarna.

1. Branchez l'extracteur de poussière sur le produit. Utilisez une buse de 50 mm.



2. Assurez-vous que les filtres de l'extracteur de poussière sont en bon état et propres. Surveillez la poussière pendant le fonctionnement.

Entretien

Introduction



AVERTISSEMENT: Avant d'effectuer des travaux d'entretien, vous devez lire et comprendre le chapitre sur la sécurité.

Une formation spécifique est nécessaire pour effectuer tous les travaux d'entretien et de réparation du produit. Nous garantissons qu'il vous est possible d'obtenir des services de réparation et d'entretien effectués par des professionnels. Si votre revendeur n'est pas un atelier spécialisé, demandez-lui des informations à propos de l'atelier spécialisé le plus proche.

Pour des informations plus détaillées, reportez-vous à .

Entretien quotidien

L'entretien quotidien signifie que vous nettoyez le produit. Vous devez également contrôler l'alimentation électrique, la brosse et le support de meulage.

Pour nettoyer le produit



REMARQUE: une prise d'air obstruée diminue les performances du produit et peut entraîner une surchauffe du moteur.

- Débranchez toujours la prise de la prise secteur avant de nettoyer, de procéder à l'entretien ou de monter le produit.
- Nettoyez toujours la totalité de l'équipement à la fin de la journée de travail. N'utilisez pas de nettoyeur haute pression pour le nettoyage du produit.

- Éliminez toute obstruction de toutes les prises d'air. Le produit doit être toujours suffisamment frais.

Pour contrôler l'alimentation électrique



AVERTISSEMENT: n'utilisez pas de câbles endommagés. Un câble endommagé peut provoquer des blessures graves ou mortelles.

- Assurez-vous que le cordon d'alimentation et la rallonge sont en bon état et fonctionnent correctement.
- N'utilisez pas le produit si le cordon d'alimentation est endommagé. Faites réparer le produit par un centre d'entretien homologué.

Pour contrôler la brosse

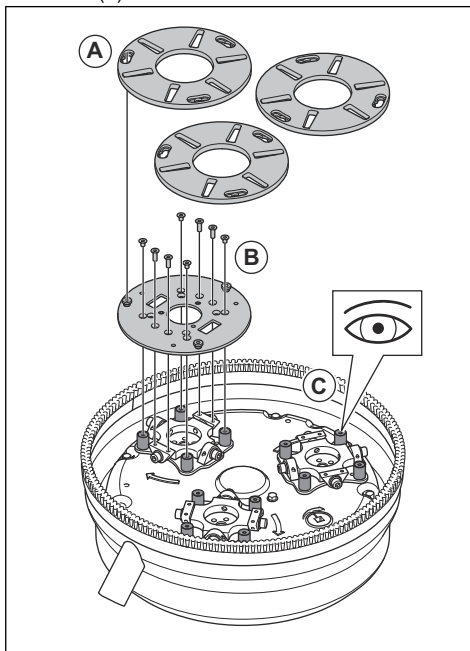
- Assurez-vous que la brosse est complète.
- Assurez-vous que la brosse touche la surface.

Pour contrôler le support de meulage



REMARQUE: L'état du support de meulage est un facteur important pour les performances et la sécurité.

- Retirez les disques à meuler (A) et les plaques d'outils (B).



- Examinez le support de meulage afin de vérifier qu'il n'est pas endommagé et que les cylindres en caoutchouc (C) ne sont pas usés.
- Remplacez les cylindres en caoutchouc si nécessaire.

Dépannage

Le produit ne démarre pas

- Assurez-vous que l'alimentation électrique et les cordons d'alimentation ne sont pas endommagés.
- Examinez le bouton d'arrêt d'urgence, tournez le bouton dans le sens des aiguilles d'une montre pour relâcher l'arrêt d'urgence.
- Examinez le témoin de surcharge. Si le témoin de surcharge est allumé, laissez le moteur refroidir pendant quelques minutes, jusqu'à ce que le produit soit automatiquement réinitialisé.

Difficulté à tenir le produit

- Il n'y a pas assez d'outils diamantés installés sur le produit.
- Le type sélectionné d'outil diamanté n'est pas adapté à la surface.
- Le moteur consomme beaucoup de courant pour assurer le fonctionnement.

- Utilisez le nombre d'outils diamantés recommandé pour diminuer la force exercée sur le produit et l'opérateur. Reportez-vous à la section *Outils diamantés à la page 49*.

Mouvements brutaux du produit

- Assurez-vous que tous les outils diamantés sont correctement installés et que tous sont à la même hauteur.

Arrêt du produit après un court instant

- En cas de surcharge du produit, la protection contre les surcharges s'engage et arrête le moteur.
- Réduisez la charge. Le trou inférieur correspond à une hauteur de guidon haute et à une pression de meulage accrue. Le trou supérieur correspond à une hauteur de guidon basse et à une pression de meulage moindre.

- Le produit redémarre après environ une minute, lorsque la température du moteur a diminué à son niveau habituel.
- Assurez-vous que les rallonges ne sont pas trop courtes.

Arrêt du produit au démarrage

La tension d'alimentation doit être correcte pour assurer les bonnes performances du moteur. Des rallonges

trop longues et/ou d'un calibre trop petit diminuent la puissance du moteur pendant le fonctionnement.

- En cas de surcharge du moteur, le témoin de surcharge s'allume. Patientez 2 minutes, puis essayez à nouveau. Si le problème demeure, contactez un atelier de réparation homologué.
- Assurez-vous que les rallonges ne sont pas trop courtes.

Transport et stockage

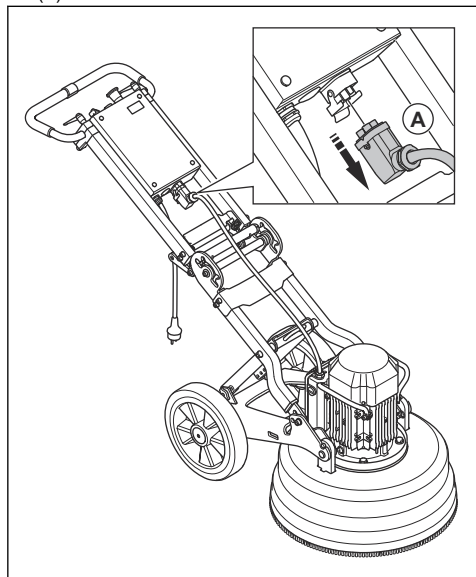
Pour régler le produit en position de transport

Placez une protection sur le produit pendant le transport. La protection permet que le produit n'entre pas en contact avec des éléments naturels, comme la pluie et la neige.

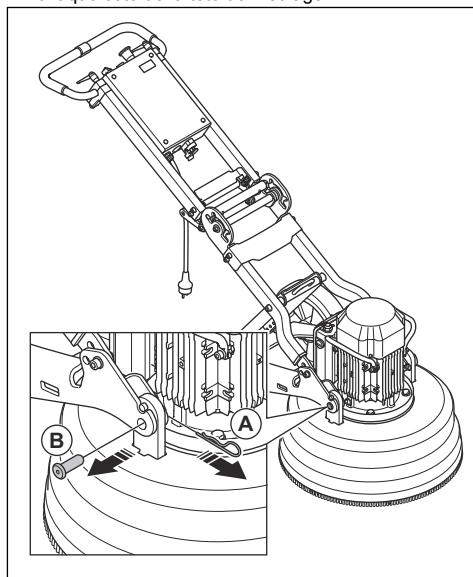
Le produit peut être divisé en 2 composants. Cela facilite le transport.

Déplacez toujours le produit avec l'anneau de levage et le guidon.

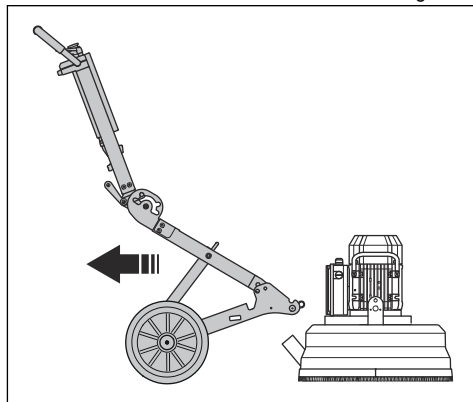
1. Débranchez le câble du moteur du boîtier électrique (A).



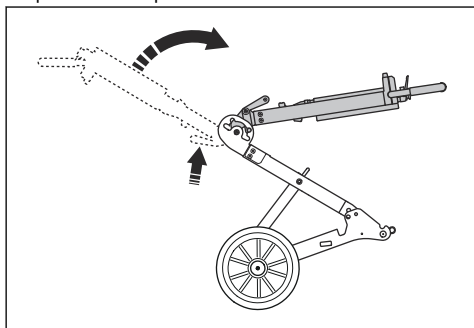
2. Tirez sur les goupilles de verrouillage (A) pour les extraire et retirez les boulons de verrouillage (B) de chaque côté de la tête de meulage.



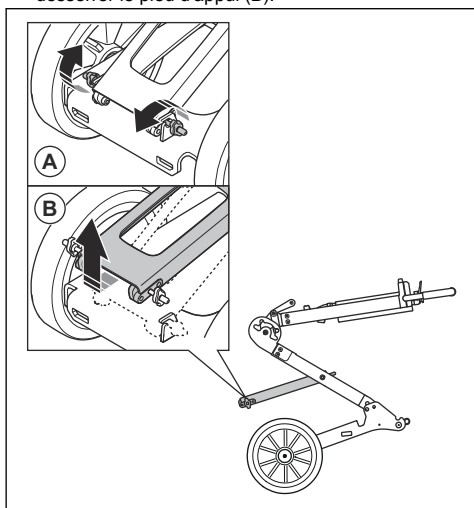
3. Retirez le châssis de roue de la tête de meulage.



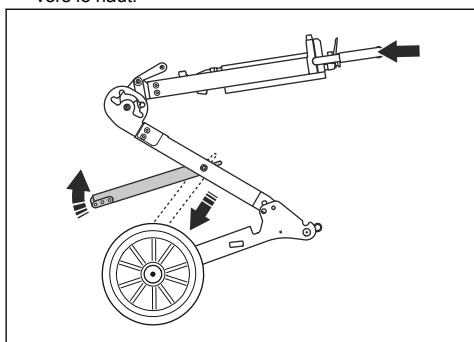
4. Poussez la poignée sur la charnière centrale et pliez simultanément le cadre supérieur vers l'avant. Le produit est en position relevée.



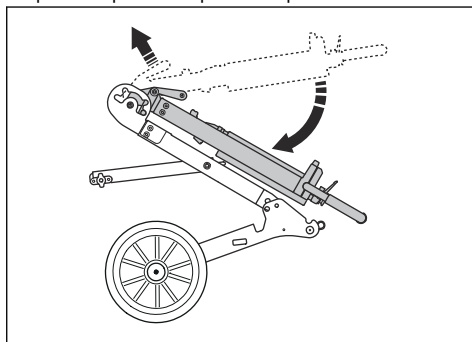
5. Retirez les boutons de verrouillage (A) pour desserrer le pied d'appui (B).



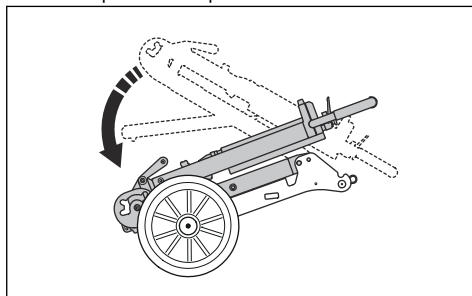
6. Maintenez le guidon pour assurer la stabilité du cadre et soulevez le pied d'appui vers l'extérieur et vers le haut.



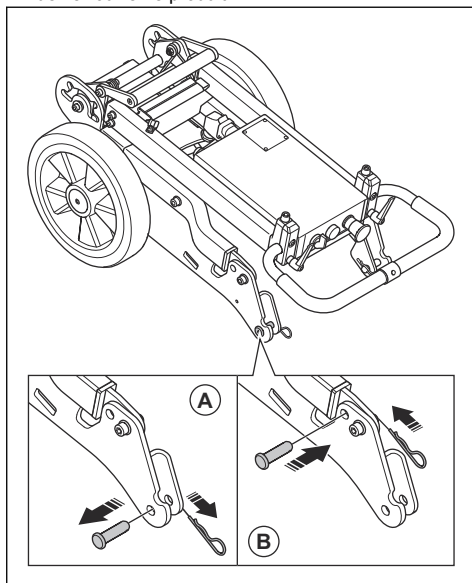
7. Tenez le guidon avec une main et poussez la poignée sur la charnière centrale. Cela permet de placer le produit en position repliée.

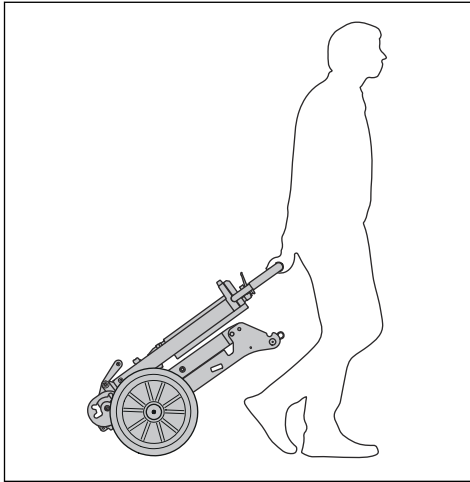


8. Pliez le produit avec précaution.



9. Déplacez la goupille de blocage et le boulon de verrouillage de la position (A) à la position (B) afin de verrouiller le produit.





Remisage du produit

- Conservez le produit dans un endroit verrouillé afin que des enfants ou personnes qui ne sont pas autorisées à l'utiliser ne puissent pas y avoir accès.
- Conservez le produit dans un endroit sec et à l'abri du gel.

Caractéristiques techniques

Caractéristiques techniques

	Triphasé, 380-420 V	Triphasé, 440-480 V	Triphasé, 220-240 V	Courant monophasé, 220-240 V	
Fréquence du moteur, Hz	50	60	60	50	60
Puissance maximale, kW/hp	4,0/5,4	4,0/5,4	4,0/5,4	2,2/3,0	3,0/4,0
Intensité nominale, A	9	7	15	13	18
Tension nominale, V	380-420	440-480	220-240	220-240	220-240
Poids kg/lb	133/293	133/293	133/293	120/265	133/293
Largeur de meulage, mm/po.	515/20,3	515/20,3	515/20,3	515/20,3	515/20,3
Diamètre du disque à meuler, mm/po.	230/9	230/9	230/9	230/9	230/9
Pression de meulage, kg/lb	79/174	79/174	79/174	66/145	80/176
Vitesse de rotation - disques à meuler, tr/min	560	670	670	540	440

Niveaux sonores

	Triphasé, 380-420 V	Triphasé, 440-480 V	Triphasé, 220-240 V	Courant monophasé, 220-240 V	
Émissions sonores ⁷ dB(A)					
Niveau de puissance sonore L _{WA} (mesuré)	96	96	96	96	96
Niveaux sonores ⁸ dB(A)					
Niveau de pression sonore à l'oreille de l'utilisateur	81	81	81	81	81
Niveaux de vibrations ⁹ m/s²					
Poignée droite	1,3	1,3	1,3	1,3	1,3
Poignée gauche	1,2	1,2	1,2	1,2	1,2

⁷ Émissions sonores dans l'environnement mesurées en tant que puissance acoustique conformément à la norme EN 60335-2-72. Mesure d'incertitude attendue : 2,5 dB(A).

⁸ Niveau de pression sonore conformément à la norme EN 60335-2-72. Mesure d'incertitude attendue : 4 dB(A).

⁹ Niveau de vibrations conformément à la norme EN 60335-2-72. Les données reportées pour le niveau de vibrations montrent une dispersion statistique typique (déviations standard) de 1 m/s²

Déclaration de conformité

Déclaration de conformité CE

Nous, Husqvarna AB, SE-561 82 Huskvarna, Suède,
tél : +46- 36-146500, déclarons sous notre entière
responsabilité que le produit :

Description	Équipement de polissage et de ponçage
Marque	Husqvarna
Type/Modèle	PG 510
Identification	Numéros de série à partir de 2022 et ultérieurs

est entièrement conforme à la réglementation et aux
directives de l'UE suivantes :

Directive/Réglementation	Description
2006/42/EC	« relative aux machines »
2014/30/EU	« relative à la compatibilité électromagnétique »
2011/65/EU	« relative à la limitation de l'utilisation de certaines substances dangereuses »

et que les normes et/ou les spécifications techniques
suivantes sont appliquées :

EN ISO 12100:2010

EN 55014-1:2017

EN 55014-1:2021

EN 60335-1:2012/A11:2014/A13:2017

EN 60335-2-72:2012

EN IEC 63000:2018

Partille, 2022-10-11



Martin Huber

Directeur général R&D

Responsable de la documentation technique

Inhoud

Inleiding.....	60	Probleemoplossing.....	73
Veiligheid.....	62	Transport en opslag.....	74
Werking.....	66	Technische gegevens.....	76
Onderhoud.....	72	Verklaring van overeenstemming.....	78

Inleiding

Productbeschrijving

Het product is een schuurmachine voor betonnen oppervlakken van verschillende hardheid. Het schuurbereik varieert van ruwe oppervlakken tot een gladdere afwerking.

Het product heeft bijvoorbeeld deze functies:

- Een frame dat kan worden ingeklapt voor eenvoudiger transport.
- Een afdekking voor de slijpkop die wordt aangepast aan de beweging over de oppervlaktelaag.
- De slijpkop beschikt over 3 slijpschijven. De volledige set bestaat uit 6 segmenten op elke slijpschijf.
- Houder voor hars, houder voor kunststofgebonden diamantschijven.

- Beschikbaar met 1 of 3 fasen.
- Een slijpbreedte van 515 mm.

Gebruik

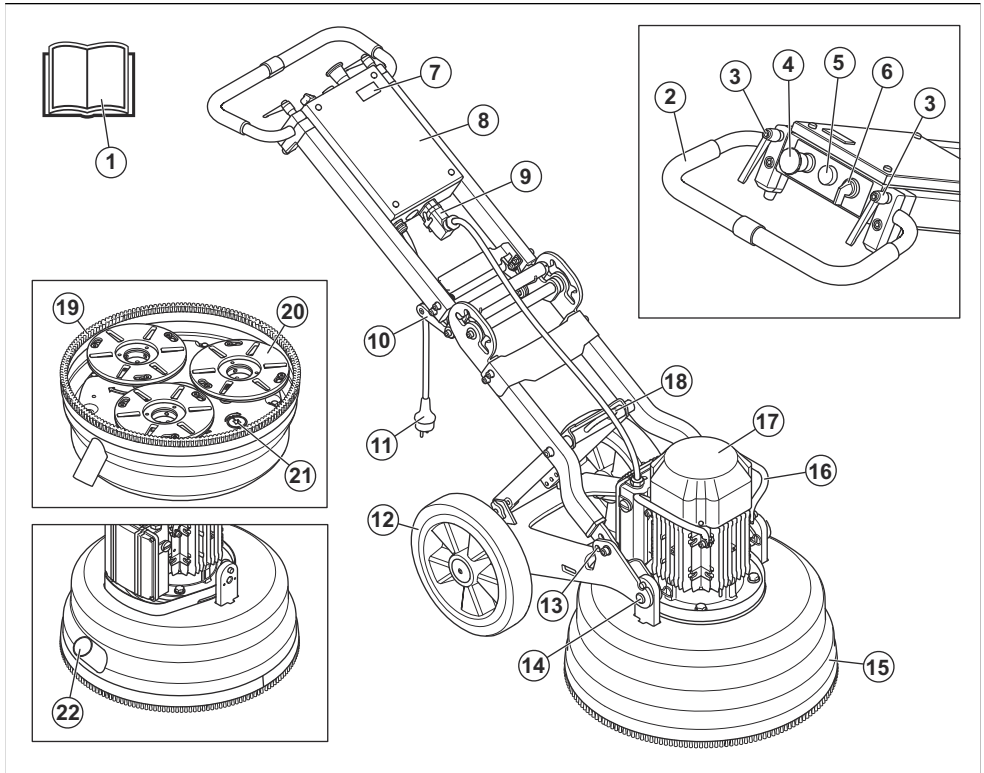
Gebruik het product om betonnen oppervlakken van verschillende hardheid te slijpen zoals terazzovloeren en plavuizen.

Het product wordt gebruikt voor lichte commerciële werkzaamheden in privé-eigendommen en kleine commerciële ruimtes.



WAARSCHUWING: Gebruik het product niet voor andere taken.

Productoverzicht



1. Bedieningshandleiding
2. Hendel/stuur
3. Vergrendelknoppen voor stuurinstelling
4. Noodstop
5. Waarschuwinglampje voor overbelasting
6. AAN/UIT-schakelaar
7. Urenteller
8. Controlekast
9. Aansluiting voor motorkabel
10. Scharnierende hendel
11. Voedingsstekker
12. Rubber wielen
13. Vergrendelingsfunctie
14. Borgbout voor het bevestigen van de motor/slijpkop
15. Slijpkopafdekking
16. Handgreepstang, motor
17. Elektromotor
18. Hijssoog
19. Borstelstrook
20. Schijfplaat - 3 slijpschijven

21. Bodem-/onderste plaat - slijpkop

22. Aansluiting, vacuümslang

Symbolen op het product



WAARSCHUWING: Onzorgvuldig of onjuist gebruik kan leiden tot letsel of de dood van de gebruiker of anderen.



Lees de handleiding goed door en zorg dat u de instructies hebt begrepen voordat u het product gebruikt.



Draag altijd gehoorbescherming, oogbescherming en ademhalingsbescherming.



WAARSCHUWING! Het stof kan ademhalingsproblemen veroorzaken. Gebruik adembescherming. Adem geen

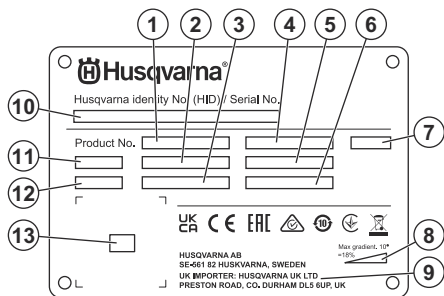
uitlaatgassen in. Zorg voor goede ventilatie.



Dit product voldoet aan de geldende EU-richtlijnen.

Let op: Overige op het product aangebrachte symbolen/plaatjes verwijzen naar specifieke eisen aan certificering voor bepaalde markten.

Productplaatje



1. Productnummer

2. Gewicht van het product
3. Nominaal vermogen
4. Nominale spanning
5. Nominale stroom
6. Frequentie
7. Behuizing
8. Maximale hellingshoek
9. Fabrikant/importeur
10. Serienummer
11. Model
12. Bouwjaar
13. Scanbare code

Productaansprakelijkheid

Zoals uiteengezet in de wet voor productaansprakelijkheid zijn wij niet aansprakelijk voor schade die door ons product wordt veroorzaakt, indien:

- het product niet goed is gerepareerd.
- het product is gerepareerd met onderdelen die niet van de fabrikant afkomstig zijn, of onderdelen die niet zijn goedgekeurd door de fabrikant.
- het product een accessoire bevat dat niet afkomstig is van de fabrikant of niet is goedgekeurd door de fabrikant.
- het product niet is gerepareerd door een erkend servicepunt of door een erkende autoriteit.

Veiligheid

Veiligheidsdefinities

Waarschuwingen, voorzorgsmaatregelen en opmerkingen worden gebruikt om te wijzen op belangrijke delen van de handleiding.



WAARSCHUWING: Wordt gebruikt om te wijzen op de kans op ernstig of fataal letsel voor de gebruiker of omstanders wanneer de instructies in de handleiding niet worden gevolgd.



OPGELET: Wordt gebruikt indien er een risico bestaat op schade aan het product en andere eigendommen of aan de omgeving wanneer de instructies in de handleiding niet worden gevolgd.

Let op: Geven verdere informatie die nodig is in een bepaalde situatie.

Algemene veiligheidsinstructies



WAARSCHUWING: Lees de volgende waarschuwingen voordat u het

product gaat gebruiken. Bewaar alle waarschuwingen en instructies. Raadpleeg de waarschuwingen en instructies indien nodig voor toekomstige werkzaamheden.

- In het hoofdstuk over veiligheid wordt uitgelegd hoe u het product correct kunt gebruiken. Deze informatie is echter geen alternatief voor professionele kennis en ervaring. Als u zich niet veilig voelt in een situatie, moet u de werkzaamheden stoppen en om professionele ondersteuning vragen. Neem contact op met uw dealer, een servicewerkplaats of een ervaren gebruiker. Voer geen werkzaamheden uit waarvoor u zich onvoldoende gekwalificeerd acht.
- Zorg dat het werkgebied schoon en goed verlicht is. Dit zal het risico op ongevallen verminderen.

Veiligheidsinstructies voor bediening



WAARSCHUWING: Lees de volgende waarschuwingen voordat u het product gaat gebruiken. Bewaar alle waarschuwingen en instructies voor later gebruik.



WAARSCHUWING: Overmatige blootstelling aan trillingen kan bloedvaten en zenuwbeschadigingen veroorzaken bij personen met een verminderde bloedcirculatie. Consulteer een arts wanneer u symptomen heeft die wijzen op te grote blootstelling aan trillingen. Dergelijke symptomen zijn slapende vingers e.d., geen gevoel, "kriebelend" gevoel, "speldenprikken", pijn, geen of weinig kracht, huidverkleuringen of veranderingen van het huidoppervlak. Deze symptomen worden meestal waargenomen in de vingers, handen of polsen.

- Gebruik het product uitsluitend voor de werkzaamheden die in deze handleiding worden genoemd. Zie *Gebruik op pagina 60*.
- Maak altijd gebruik van persoonlijke beschermingsmiddelen. Zie *Persoonlijke beschermingsuitrusting op pagina 63*.
- Blijf in de buurt van het product wanneer de motor is ingeschakeld.
- Sluit de motorkabel aan op de controlekast voordat u de stekker aansluit.
- Laat andere gebruikers het product niet gebruiken als zij de inhoud van deze bedieningshandleiding niet hebben gelezen en begrepen.
- Start het product alleen als de borstelstrook is bevestigd. De borstelstrook moet stevig tegen het oppervlak aan drukken, vooral tijdens werkzaamheden op droge oppervlakken.
- Controleer of de borstelstrook onbeschadigd en schoon is. Vervang een beschadigde borstelstrook.
- Houd de motor ingeschakeld tot de ventilator tot stilstand komt.
- Til de slijpkop op als het noodzakelijk is om de startprocedure te controleren.
- Start het product alleen wanneer de slijpkop op het oppervlak is geplaatst.
- Zorg ervoor dat er alleen goedgekeurde personen in het werkgebied zijn.
- Gebruik het product niet in gebieden waar brand of explosies kunnen optreden.
- Demonteer de diamantschijven na alle werkzaamheden.
- Zorg ervoor dat de schijfplaat niet draait wanneer u het product optilt. De schijfplaat blijft nog enige tijd draaien nadat de motor is uitgeschakeld.
- Laat u het product afkoelen en gebruik veiligheidshandschoenen bij het verwijderen van diamantschijven. Diamantschijven kunnen na gebruik zeer heet zijn.
- Zorg ervoor dat u het product aansluit op een stofzuiger om het stof te verwijderen.
- Controleer of het product correct is gemonteerd.
- Gebruik het hijsorg van het product om het product op te tillen.

- Gebruik het product niet als er tekenen van schade zijn.
- Start het product alleen wanneer de slijpkop het oppervlak raakt, tenzij u een controle van de aan/uit-schakelaar uitvoert.
- Bedien het product alleen van achteren, met beide handen op de hendel.
- Gebruik het product alleen als u voorafgaand aan gebruik training hebt ontvangen. Zorg ervoor dat alle gebruikers getraind worden.
- Zorg ervoor dat er zich alleen goedgekeurde personen in het werkgebied bevinden, anders bestaat er kans op ernstig letsel.
- Zorg ervoor dat er geen kleding, lang haar en juwelen vast komen te zitten in bewegende delen.
- Zorg ervoor dat u stabiel en veilig staat tijdens het gebruik.
- In situaties waar plotseling personen en dieren kunnen verschijnen, is veilig gebruik van het product niet mogelijk. Laat het product altijd zorgvuldig werken en sta klaar om het product te stoppen als dat nodig is.
- Laat het product niet door kinderen bedienen; houd het buiten hun bereik.
- Zorg ervoor dat er altijd één persoon dichtbij is wanneer u het product gebruikt. Als zich een ongeval voordoet, moet u indien nodig hulp kunnen krijgen.
- Gebruik dit product nooit als u moe of ziek bent of als u alcohol, drugs of medicijnen hebt gebruikt. Dit kan uw zicht, beoordelingsvermogen en coördinatie verminderen.
- Gebruik geen product dat is gewijzigd ten opzichte van de fabrieksspecificaties.
- Gebruik altijd goedgekeurde accessoires. Neem voor meer informatie contact op met uw dealer.

Persoonlijke beschermingsuitrusting



WAARSCHUWING: Lees de volgende waarschuwingen voordat u het product gaat gebruiken.

- Gebruik altijd de juiste persoonlijke beschermingsmiddelen wanneer u het product gebruikt. De persoonlijke beschermingsmiddelen nemen het risico op letsel niet weg. De persoonlijke beschermingsmiddelen verlagen de ernst van het letsel indien zich een ongeval voordoet. Vraag uw dealer u te helpen bij het kiezen van de juiste beschermingsmiddelen.
- Gebruik goedgekeurde oogbescherming wanneer u het product gebruikt.
- Draag geen losse, zware en ongeschikte kleding. Draag kleren waarin u zich vrij kunt bewegen.
- Draag goedgekeurde veiligheidshandschoenen voor een stevige greep.
- Draag rubberen veiligheidshandschoenen om huidirritatie als gevolg van nat beton te voorkomen.

- Draag een goedgekeurde veiligheidshelm.
- Gebruik altijd goedgekeurde gehoorbescherming wanneer u het product gebruikt. Langdurig lawaai kan gehoorverlies veroorzaken.
- Het product veroorzaakt stof en dampen die gevaarlijke chemicaliën bevatten. Gebruik goedgekeurde ademhalingsbescherming.
- Gebruik laarzen met een stalen neus en antislipzool.
- Zorg ervoor dat u een EHBO-kit bij de hand hebt.
- Er kunnen vonken optreden bij de bediening van de machine. Zorg ervoor dat u een brandblusser bij de hand hebt.

Elektrische veiligheid



WAARSCHUWING: Er is altijd kans op schokken van elektrische producten. Gebruik het product niet bij slecht weer. Raak geen bliksemafleiders en metalen voorwerpen aan. Gebruik het product altijd zoals in deze bedieningshandleiding wordt beschreven om letsel te voorkomen.



OPGELET: Het product voldoet aan de eisen van EN61000-3-11 en mag onder bepaalde voorwaarden op het elektriciteitsnet worden aangesloten. Neem contact op uw energieleverancier voor instructies over het aansluiten van het product.

Sluit het product alleen aan op netspanning met een weerstand lager dan 0,28 Ω. Doe bij uw energieleverancier navraag over de systeemweerstand op de aansluiting.

Als het elektriciteitsnet een hogere systeemweerstand heeft, kan er kort spanningsverlies optreden wanneer het product wordt gestart. Dit kan invloed hebben op de werking van andere producten en bijvoorbeeld flikkerende lichten veroorzaken.

- Controleer of de spanning van het elektriciteitsnet en de zekering overeenkomt met de spanning die wordt aangegeven op het productplaatje van het product.
- Stop het product altijd voordat u de stekker uit het stopcontact haalt.
- Gebruik het product niet als het snoer of de stekker beschadigd is. Breng het ter reparatie naar een erkend servicepunt. Een beschadigde kabel kan ernstig letsel en de dood veroorzaken.
- Gebruik de kabel op de juiste manier. Gebruik de kabel niet om het product te verplaatsen, eraan te trekken of het product los te koppelen. Houd de stekker vast als u de voedingskabel loshaalt.
- Gebruik het product niet in water met een zodanige diepte dat het product nat wordt. De apparatuur kan

beschadigd raken en het product kan onder stroom komen te staan en letsel veroorzaken.

- Zorg ervoor dat er geen ander vocht in het product komt dan vocht afkomstig van het waterleidingnet. Voorkom blootstelling van het product aan regen. Water dat een elektrisch gereedschap binnenkomt, verhoogt het risico op elektrische schokken.
- Verwijder de voedingskabel altijd wanneer u de verbinding voor de motorkabel en de controlekast aansluit of loskoppelt.

Instructies voor geaard product



WAARSCHUWING: Een verkeerde aansluiting kan leiden tot elektrische schokken. Raadpleeg een erkende elektricien als u niet zeker weet of de contactdoos van het elektriciteitsnet correct geaard is.

Breng geen wijzigingen aan de stekker aan ten opzichte van de fabrieksspecificatie. Als de stekker of de voedingskabel beschadigd is of moet worden vervangen, raadpleeg dan uw Husqvarna-servicewerkplaats. Volg de lokale regel- en wetgeving.

Neem contact op met een erkende elektricien als u de instructies over het geaarde product niet volledig begrijpt.

Gebruik alleen geaarde verlengkabels voor buitengebruik met geaarde stekkers en geaarde contactdozen die geschikt zijn voor de stekker van het product.

Het product heeft een geaarde voedingskabel en een geaarde stekker. Sluit het product altijd aan op een geaard stopcontact. Dit vermindert het risico op elektrische schokken in geval van een storing.

Gebruik geen adapters in combinatie met het product.

Verlengkabels

- Gebruik alleen goedgekeurde verlengkabels met voldoende lengte.
- De markering op de verlengkabel moet gelijk zijn aan of hoger zijn dan de waarde op het productplaatje van het product.
- Gebruik geaarde verlengkabels.
- Gebruik een verlengkabel die geschikt is voor gebruik buitenshuis wanneer u buiten werkt met het product. Dit vermindert de kans op een elektrische schok.
- Houd de aansluiting op de verlengkabel droog en zorg dat deze de grond niet raakt.
- Houd de verlengkabel uit de buurt van hitte, olie, scherpe randen en bewegende delen. Een beschadigde kabel verhoogt het risico op elektrische schokken.

- Controleer of de verlengkabel in goede staat verkeert en niet beschadigd is.
- Gebruik de verlengkabel niet in opgerolde toestand. Daardoor kan de kabel oververhit raken.
- Zorg ervoor dat de verlengkabel achter u en het product ligt wanneer u het product gebruikt. Zo voorkomt u dat de verlengkabel beschadigd raakt.

Veiligheidsvoorzieningen op het product

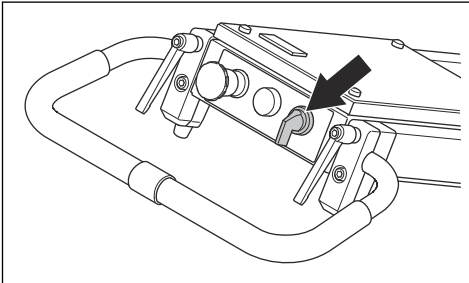


WAARSCHUWING: Lees de volgende waarschuwingen voordat u het product gaat gebruiken.

- Gebruik het product nooit wanneer de veiligheidsvoorzieningen defect zijn.
- Controleer de veiligheidsvoorzieningen regelmatig op een juiste werking. Raadpleeg *Dagelijks onderhoud op pagina 72*. Als de veiligheidsvoorzieningen defect zijn, neemt u contact op met uw Husqvarnaerkende servicewerkplaats.
- Voer geen veranderingen aan de veiligheidsvoorzieningen uit.

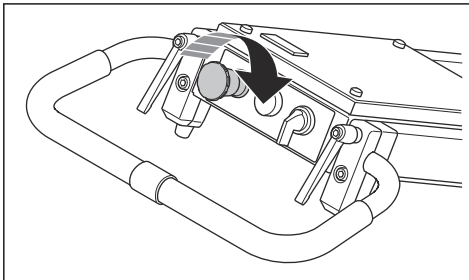
AAN/UIT-schakelaar

De AAN/UIT-schakelaar wordt gebruikt om het product te starten en te stoppen.

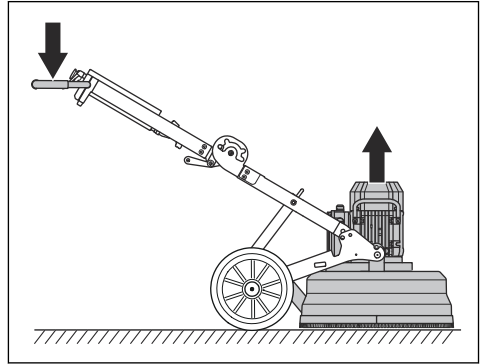


De AAN/UIT-schakelaar controleren

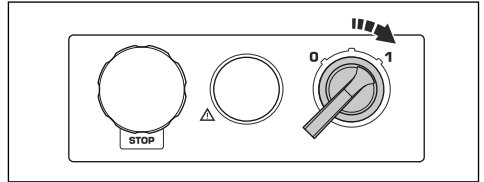
1. Draai de noodstopknop rechtsom om de noodstopknop uit te schakelen.



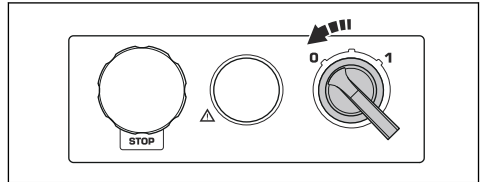
2. Duw de hendel omlaag om de slijpkop van de vloer te heffen.



3. Zet de AAN/UIT-schakelaar op 1 om het product te starten.

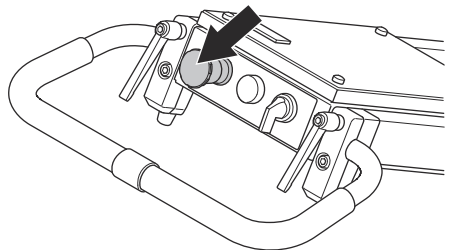


4. Wacht 5 seconden om het product met stationair toerental te laten werken.
5. Zet de AAN/UIT-schakelaar op 0 om het product te stoppen.



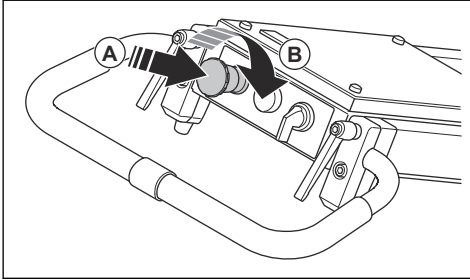
Noodstop

De noodstopknop wordt gebruikt om de motor snel te stoppen. De noodstop op het product schakelt de netvoeding uit.



De noodstop controleren

1. Druk op de noodstopknop (A) en controleer of de motor stopt.



2. Draai de noodstopknop rechtsom (B) om deze uit te schakelen.

Veiligheidsinstructies voor onderhoud

- Zorg ervoor dat alle onderdelen in een goede staat blijven en controleer of alle fittingen goed vastzitten.
- Gebruik geen product dat defect is. Voer de in deze handleiding beschreven veiligheidscontroles en onderhouds- en servicetaken uit. Alle overige onderhoudswerkzaamheden moeten worden uitgevoerd door een erkende servicewerkplaats.
- Stop de motor en haal de stekker uit het stopcontact als u de diamantgereedschappen vervangt.
- Voer de inspectie en/of het onderhoud uit terwijl de motor is gestopt en de stekker is verwijderd.
- Controleer het product regelmatig om een goede werking te waarborgen. Zie *Dagelijks onderhoud op pagina 72*.

Werking

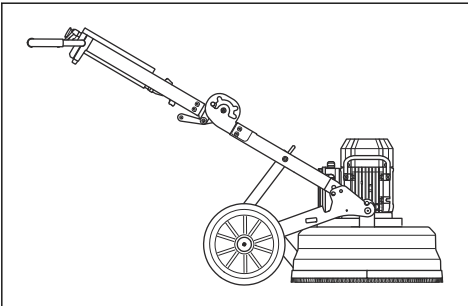
Inleiding



WAARSCHUWING: Voordat u het product gaat gebruiken, dient u het hoofdstuk over veiligheid te lezen en hebben begrepen.

Productstanden

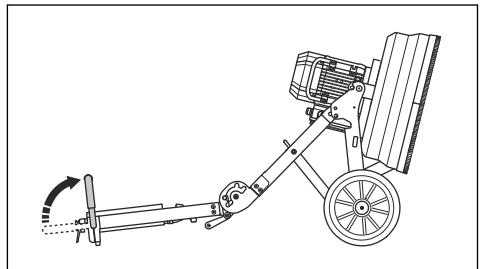
Werkstand



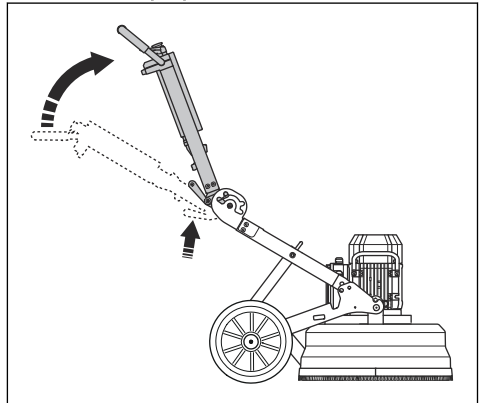
Onderhoudsstand



OPGELET: Zet het product alleen op een horizontaal oppervlak in de onderhoudsstand.

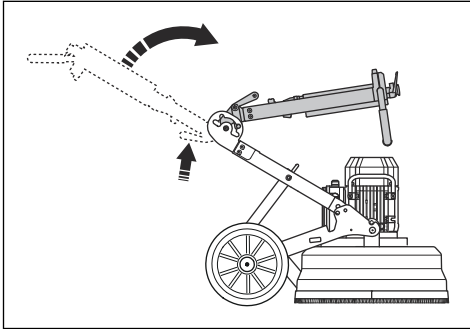


Gekantelde transportpositie



Transportpositie voor heffen

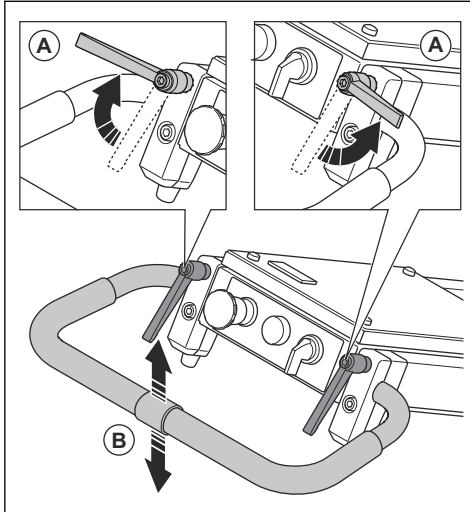
Plaats beschermingsmateriaal tussen de motor en de controlekast om beschadiging van het product te voorkomen.



Het stuur verstellen

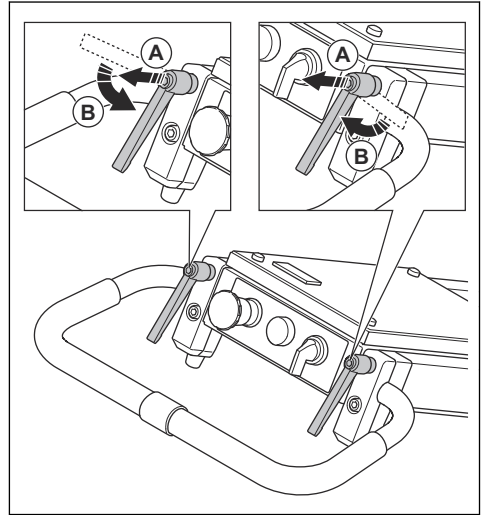
De vergrendelknoppen van het stuur worden rechtsom of linksom gedraaid of ze worden in de neutrale stand geplaatst.

1. Draai de vergrendelknoppen (A) los en zet de hendel (B) in de ruststand.



2. Draai de vergrendelknoppen vast om de positie in te stellen.

3. Wanneer het stuur in een stand is geplaatst, trekt u de vergrendelknop van het stuur omhoog (A) en zet u deze in de ruststand (B).

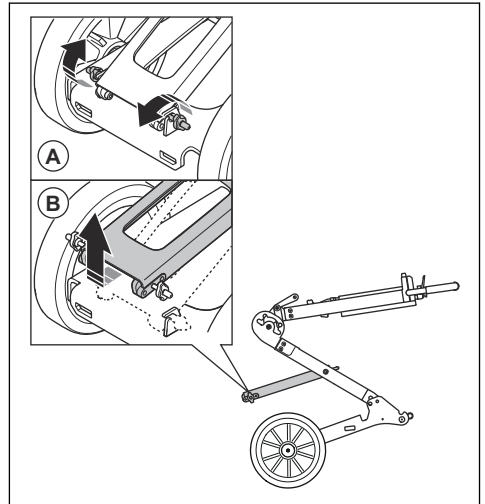


De framehoogte aanpassen

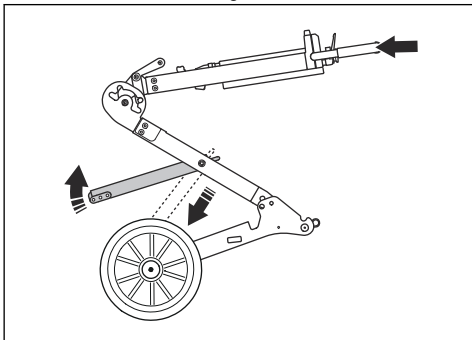
De hoek van het frame kan worden veranderd om het gewicht van het chassis te verdelen. Hierdoor wordt de slijpdruk tegen het oppervlak verkleind of vergroot.

Stel de hoek zodanig af dat een goede werkstand voor verschillende gebruikers kan worden ingesteld.

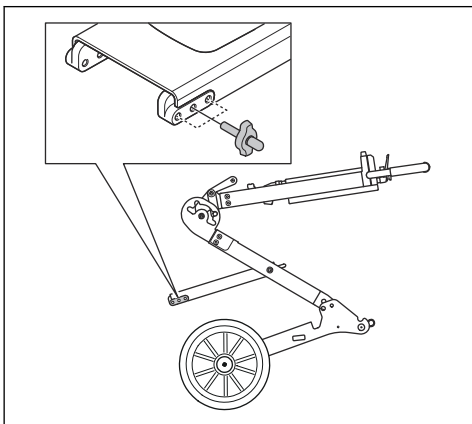
1. Verwijder de vergrendelknoppen (A) om de steunvoet (B) los te maken.



2. Houd het stuur vast om het frame stabiel te houden en de steunvoet omhoog en eruit te tillen.



3. Selecteer de gewenste werkstand en draai de vergrendelknop vast. Met het onderste gat worden de slijpdruk en de hoogte van het stuur vergroot. Met het onderste gat worden de slijpdruk en de hoogte van het stuur vermindert.



Handgreephoogtes

Positie van opening	Handgreephoogte, mm
Top	765
Midden	870
Onder	960

Diamantgereedschappen

Er zijn vele soorten diamantschijven voor het product. Neem contact op met uw erkende servicepunt of ga naar www.husqvarnacp.com om de juiste diamantschijf te selecteren.

Installatie van de diamantschijven

De installatie van de diamantschijven op de schijfplaat heeft gevolgen voor de prestaties van het product. Het type diamantschijf en het aantal segmenten op de diamantschijf zijn belangrijk.

Gebruik metaalgebonden diamantschijven met 2 segmenten voor gebruikelijke slijpwerkzaamheden, om het oppervlak egaal te maken of voor lichte verwijderingen.

Gebruik metaalgebonden diamantschijven met 1 diamantsegment om de diamantschijfdruk te verhogen. Deze installatie is bestemd voor zware verwijderingen met veel kracht.

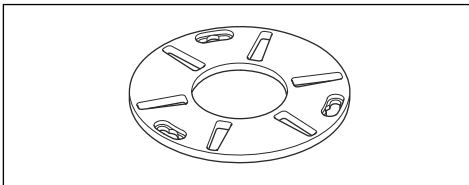
Voor de zwaarste verwijderingen raden wij u aan om gereedschappen te gebruiken die slechts in één richting met PCD-diamantbladen worden uitgevoerd.

Let op: Piranha™-gereedschappen zijn bedoeld om slechts in één richting te werken.

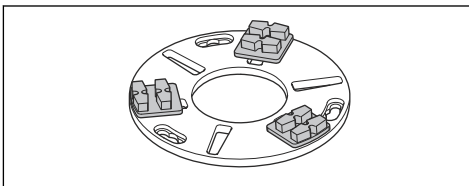
Metaalgebonden diamantschijven

Let op: Wij raden 3 schijven aan met 1 segment op elke Redi Lock®-schijfhouder als u oppervlakken of gewoon beton verwijderd.

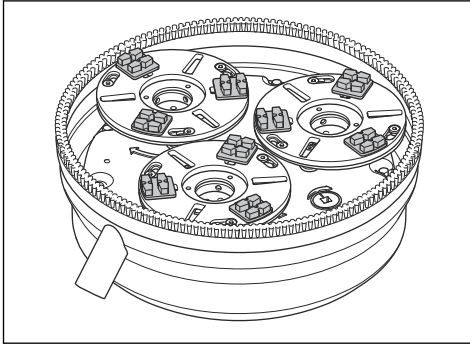
- Gebruik de Redi Lock®-schijfhouder om metaalgebonden diamantschijven te bevestigen.



- Een Redi Lock®-schijfhouder met halve set.

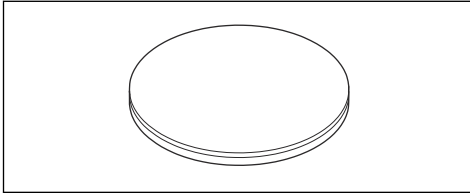


- Slijpkop met halve set op de 3 slijpschijven.

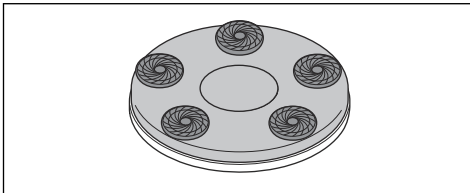


Harsgebonden diamantschijven

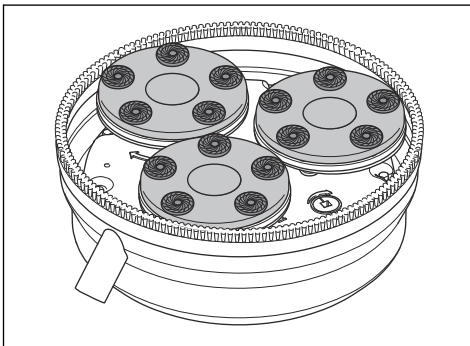
- Gebruik de schijf met harshouder om kunststofgebonden diamantschijven te bevestigen.



- Kunststofgebonden schijf bevestigd aan schijf met schijfhouder.

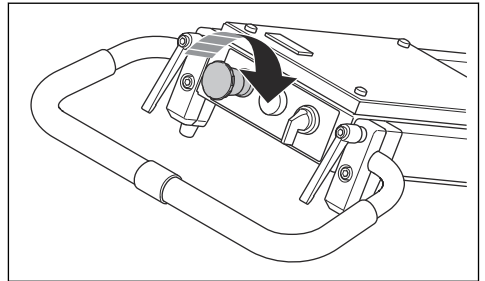


- Slijpkop met 3 schijven met harshouder en gereedschappen



Voordat u het product gebruikt

1. Lees de gebruikershandleiding zorgvuldig door en zorg dat u de instructies hebt begrepen.
2. Voer dagelijks onderhoud uit. Zie *Onderhoud op pagina 72*.
3. Controleer of het product goed gemonteerd en niet beschadigd is.
4. Plaats het product in het werkgebied.
5. Zorg ervoor dat er diamantschijven op de schijfplaat zitten en dat deze goed zijn bevestigd.
6. Sluit de stofzuiger aan op het product. Zie *Stofzuiger aansluiten op pagina 72*
7. Stel het stuur af om de vereiste werkhogte in te stellen.
8. Zorg ervoor dat de motorkabel is aangesloten op de controlekast voordat u de stekker van de voedingskabel aansluit op het stopcontact.
9. Sluit de stekker van het product aan op het stopcontact.
10. Draai de noodstopknop rechtsom om ervoor te zorgen dat de noodstopknop wordt uitgeschakeld.



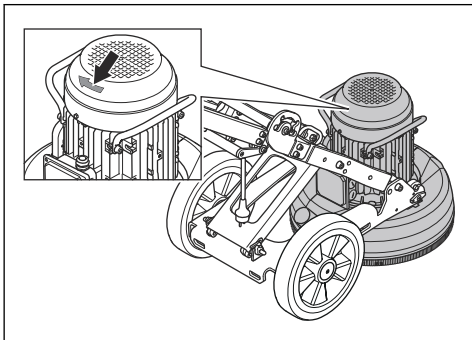
11. Zorg ervoor dat u weet in welke richting de motor draait.

De draairichting van de motor wijzigen

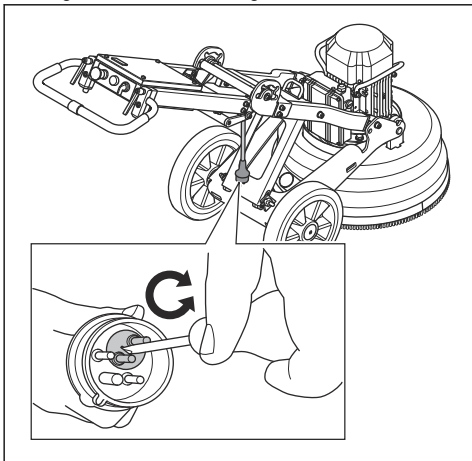


OPGELET: De Piranha-gereedschappen zijn bedoeld om slechts in één richting te draaien.

1. Kijk naar de pijl om te zien in welke richting de motor draait.

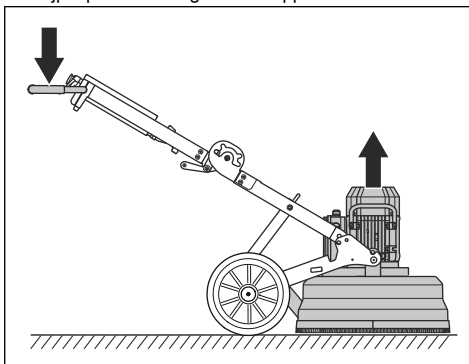


2. Draai de 2 pennen in de stekker in de tegengestelde richting om de draairichting van de motor te wijzigen. Dit geldt alleen voor 3-fasig.

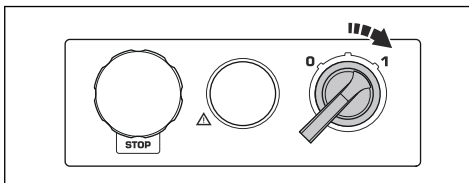


Product starten

1. Duw de hendel een beetje naar beneden om de slijpkop ongeveer 1 mm van het oppervlak te heffen. Dit vermindert de druk op het oppervlak. Hef de slijpkop niet volledig van het oppervlak.



2. Zet de AAN/UIT-schakelaar op 1 om het product te starten. Het product bereikt binnen 5 seconden het stationaire toerental.



Product stoppen

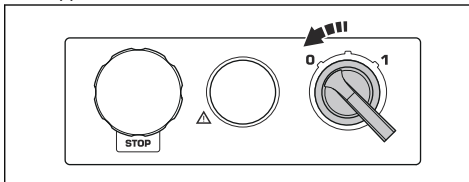


OPGELET: Hef de schijfplaat niet van het oppervlak wanneer u de motor stopt. De schijfplaat blijft nog enige tijd draaien nadat de motor is uitgeschakeld. Het stof kan zich grotendeels in de lucht verspreiden en het oppervlak kan worden beschadigd.



OPGELET: Als u klevend asfalt, verf of vergelijkbaar materiaal slijpt, tilt u de voorzijde van het product enigszins omhoog wanneer de schijfplaat stopt. Het product kan aan het klevende oppervlak blijven plakken indien het niet wordt opgetild.

1. Zet de AAN/UIT-schakelaar op 0 om de motor te stoppen.



2. Houd de schijfplaat tegen het oppervlak. Zorg ervoor dat de schijfplaat niet draait wanneer u de voorkant optilt.
3. Haal de stekker uit het stopcontact.

De diamantschijven vervangen

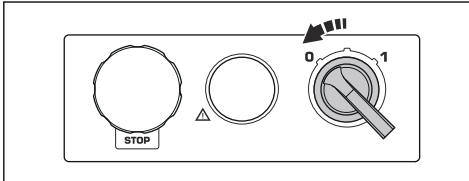


WAARSCHUWING: Haal de stekker uit het stopcontact.

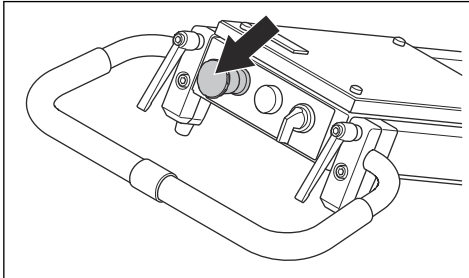


WAARSCHUWING: Gebruik veiligheidshandschoenen omdat diamantschijven zeer heet kunnen worden.

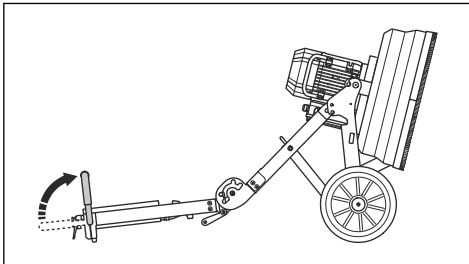
1. Zet de AAN/UIT-schakelaar op 0 en haal de stekker uit het stopcontact om het product te stoppen.



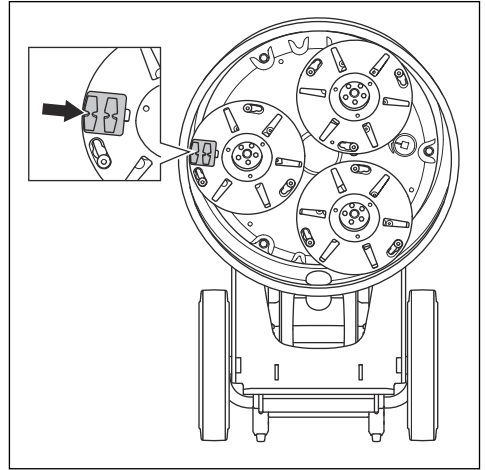
2. Druk op de noodstopknop.



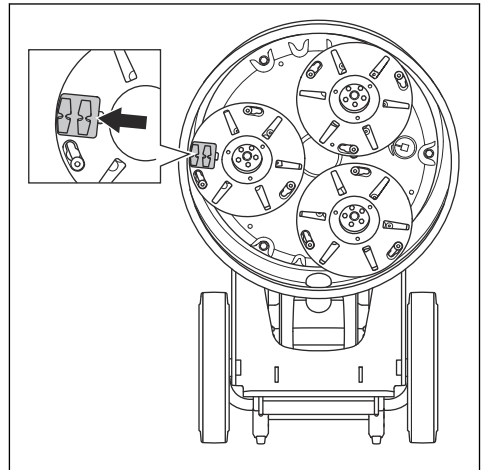
3. Zet het product in de onderhoudsstand.



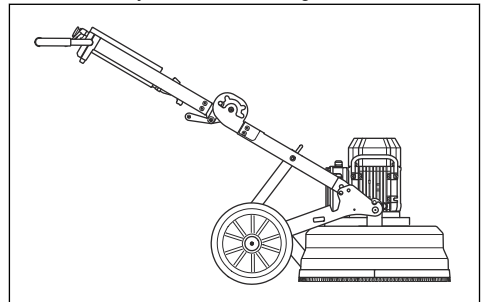
4. Gebruik een hamer om de diamantschijven te verwijderen.



5. Bevestig de nieuwe diamantschijven op de schijfplaat.



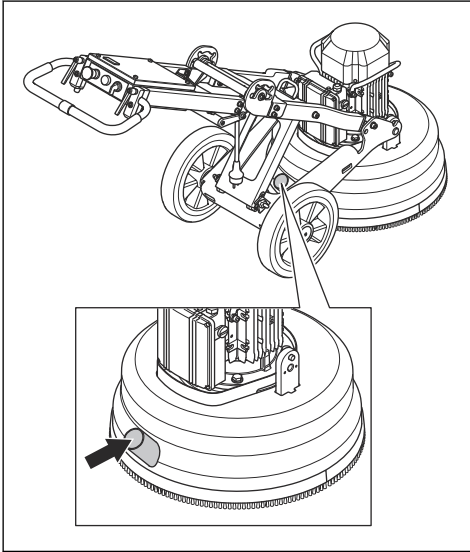
6. Zet het product in de bedrijfsstand wanneer de diamantschijven worden vervangen.



Stofzuiger aansluiten

Gebruik een Husqvarna-stofzuigersysteem.

1. Sluit de stofzuiger aan op het product. Gebruik een slang van 50 mm.



2. Controleer of de filters in de stofzuiger schoon en onbeschadigd zijn. Controleer op stof tijdens het gebruik.

Onderhoud

Inleiding



WAARSCHUWING: Voordat u onderhoud gaat uitvoeren, dient u het hoofdstuk over veiligheid te lezen en hebben begrepen.

Voor alle onderhouds- en reparatiewerkzaamheden aan het product is speciale training nodig. Wij garanderen de beschikbaarheid van professionele reparaties en onderhoud. Indien uw dealer geen servicewerkplaats heeft, vraag hem dan naar de dichtstbijzijnde servicewerkplaats.

Zie voor meer gedetailleerde informatie.

Dagelijks onderhoud

Dagelijks onderhoud houdt in dat u het product reinigt. Ook moet u de elektrische voeding, de borstelstrook en de schijfhouder controleren.

Product reinigen



OPGELET: Een geblokkeerde luchtinlaat leidt tot verminderde prestaties van het product en kan leiden tot oververhitting van de motor.

- Trek altijd de stekker uit het stopcontact voordat u het product reinigt, onderhoud of monteert.
- Reinig altijd alle apparatuur aan het einde van de werkdag. Reinig het product niet met een hogedrukspuit.
- Verwijder blokkades van alle luchtopeningen. Het product moet altijd koel genoeg zijn.

De elektrische voeding controleren



WAARSCHUWING: Gebruik geen beschadigde kabels. Een beschadigde kabel kan ernstig of dodelijk letsel veroorzaken.

- Controleer of de voedingskabel en de verlengkabel onbeschadigd en in goede staat zijn.
- Gebruik het product niet als de voedingskabel is beschadigd. Laat onderhoud aan het product uitvoeren door een erkende servicewerkplaats.

De borstelstrook controleren

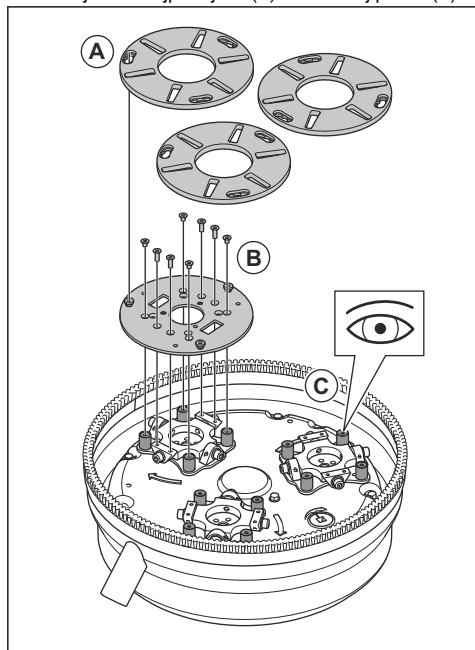
- Controleer of de borstelstrook vol is.
- Controleer of de borstelstrook het oppervlak raakt.

De schijfhouder controleren



OPGELET: De toestand van de schijfhouder is belangrijk voor de prestaties en de veiligheid.

1. Verwijder de slijpschijven (A) en de schijfplaten (B).



2. Controleer de schijfhouder op beschadigingen en de rubberen cilinders (C) op slijtage.
3. Vervang indien nodig de rubberen cilinders.

Probleemoplossing

Het product start niet

- Controleer of de voedingseenheid en de voedingskabels niet zijn beschadigd.
- Controleer de noodstopknop, draai de knop rechtsom om de noodstopknop uit te schakelen.
- Controleer het overbelastingslampje. Laat de motor enige minuten afkoelen als het overbelastingslampje brandt, totdat het product automatisch wordt gereset.

Het product kan niet eenvoudig worden vastgehouden

- Er zijn te weinig diamantschijven op het product geïnstalleerd.
- Het geselecteerde type diamantschijf is niet correct voor het oppervlak.
- De motor gebruikt een hoge stroomsterkte voor de werkzaamheden.
- Gebruik het aanbevolen aantal diamantschijven om de kracht op het product en de gebruiker

te verminderen. Zie *Diamantgereedschappen op pagina 68*.

Het product maakt plotselinge bewegingen

- Controleer of alle diamantschijven correct zijn geïnstalleerd en dezelfde hoogte hebben.

De machine stopt na korte tijd

- Als het product wordt overbelast, wordt de overbelastingsbeveiliging ingeschakeld en stopt de motor.
- Verminder de belasting. De onderste opening is voor een hoger stuur en hogere slijpdruk. De bovenste opening is voor een lager stuur en lagere slijpdruk.
- Het product wordt na ongeveer een minuut opnieuw gestart wanneer de temperatuur van de motor tot is afgenomen tot een normaal niveau.
- Controleer of de verlengkabels niet te kort zijn.

Het product stopt tijdens het starten

De juiste voedingsspanning is noodzakelijk voor goede motorprestaties. Door te lange verlengkabels en/of te laag kaliber wordt de kracht van de motor tijdens het gebruik verminderd.

- Als de motor wordt overbelast, gaat het waarschuwingslampje voor overbelasting branden. Wacht 2 minuten en probeer het opnieuw. Neem contact op met een erkende servicewerkplaats als dat niet helpt.
- Controleer of de verlengkabels niet te kort zijn.

Transport en opslag

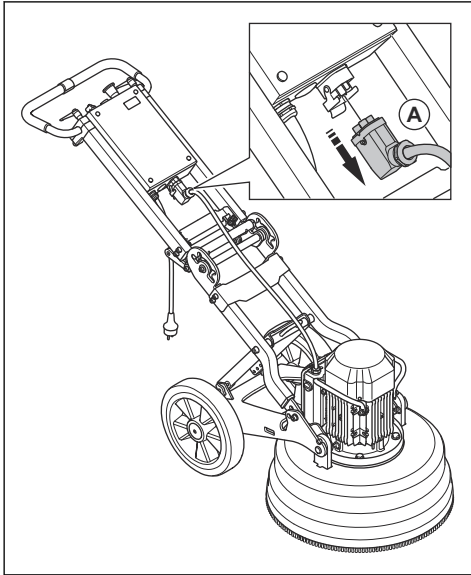
Product in de transportstand zetten

Zorg dat het product tijdens het transport op bepaalde manieren wordt beschermd. Op deze wijze wordt het product niet blootgesteld aan natuurverschijnselen zoals regen en sneeuw.

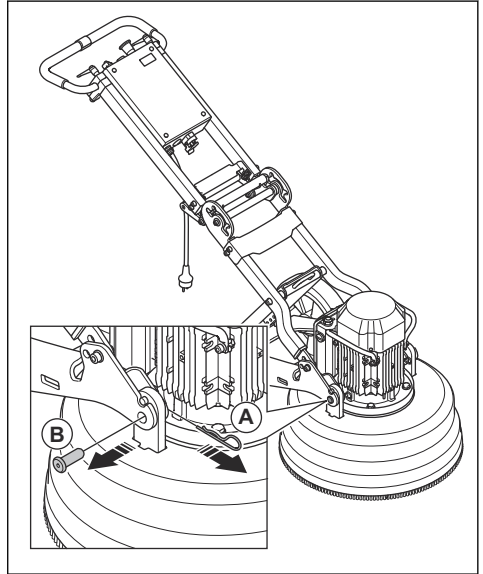
Het product kan worden opgesplitst in 2 onderdelen. Hierdoor is het product eenvoudiger te transporteren.

Beweeg het product altijd met het hijssoog en het stuur.

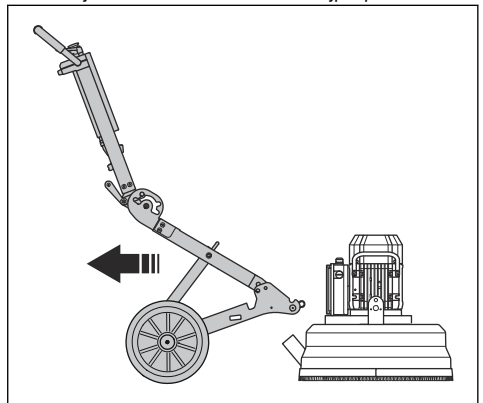
1. Koppel de motorkabel los van de controlekast (A).



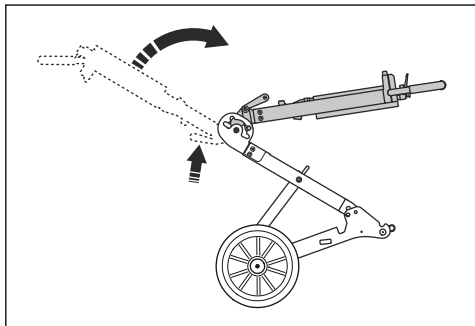
2. Trek de borgpennen (A) eruit en verwijder de borgbouten (B) aan elke zijde van de slijfkop.



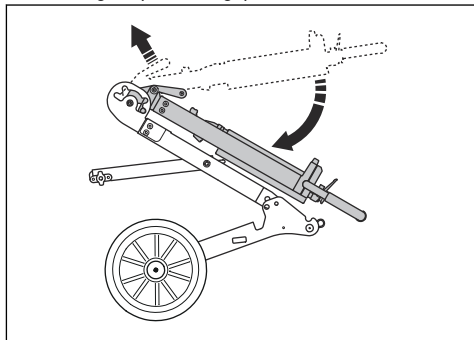
3. Verwijder het wielchassis van de slijfkop.



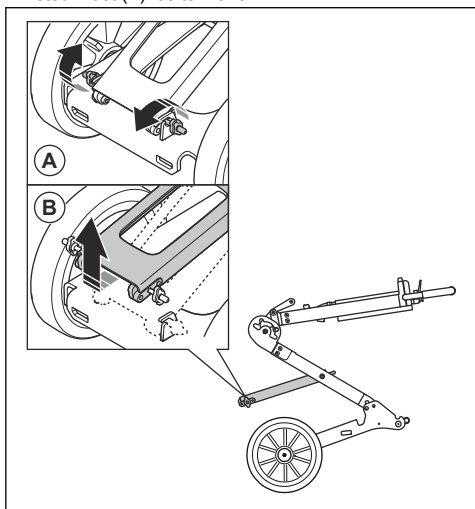
4. Druk op de hendel op het centrale scharnier en vouw het bovenframe naar voren. Het product staat in de hefstand.



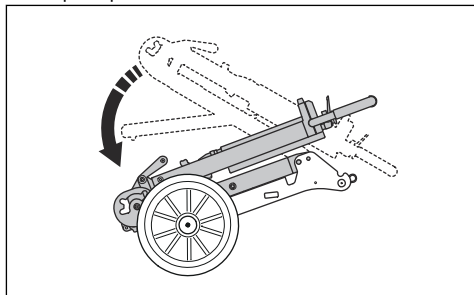
7. Houd het stuur met één hand vast en duw de hendel op het centrale scharnier. Hierdoor wordt het product in de ingeklapte stand geplaatst.



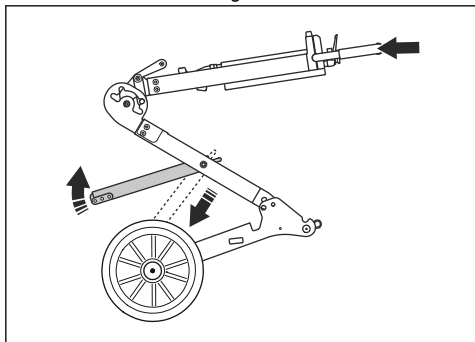
5. Verwijder de vergrendelknoppen (A) om de steunvoet (B) los te maken.



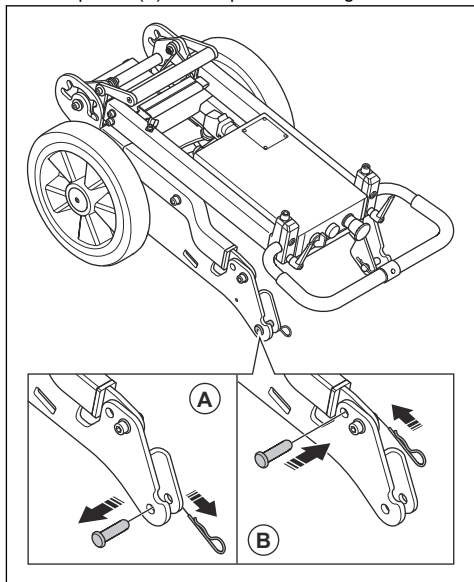
8. Klap het product in.

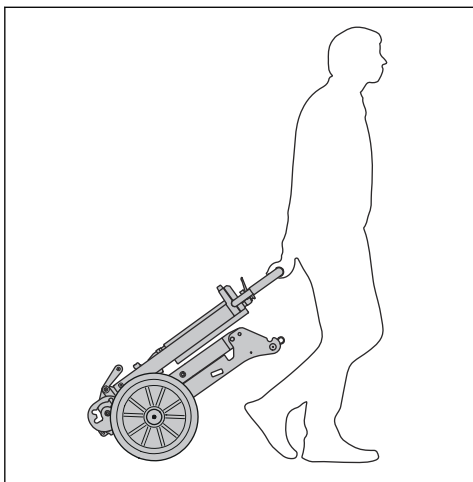


6. Houd het stuur vast om het frame stabiel te houden en de steunvoet omhoog en eruit te tillen.



9. Verplaats de borgpen en de borgbout van positie (A) naar positie (B) om het product te vergrendelen.





Het product opslaan

- Bewaar het product in een afgesloten ruimte om toegang door kinderen of onbevoegde personen te verhinderen.
- Bewaar het product in een droge en vorstvrije ruimte.

Technische gegevens

Technische gegevens

	Driefasig, 380-420 V	Driefasig, 440-480 V	Driefasig, 220-240 V	Enkelfasig, 220-240 V	
Motorfrequentie, Hz	50	60	60	50	60
Maximaal vermogen, kW/pk	4,0/5,4	4,0/5,4	4,0/5,4	2,2/3,0	3,0/4,0
Nominale stroom, A	9	7	15	13	18
Nominale spanning, V	380-420	440-480	220-240	220-240	220-240
Gewicht, kg/lbs	133/293	133/293	133/293	120/265	133/293
Slijpbreedte, mm/in.	515/20,3	515/20,3	515/20,3	515/20,3	515/20,3
Diameter slijpschijf, mm/inch	230/9	230/9	230/9	230/9	230/9
Slijpdruk, kg/lbs	79/174	79/174	79/174	66/145	80/176
Rotatiesnelheid - slijpschijven, tpm	560	670	670	540	440

Geluidsniveau

	Driefasig, 380-420 V	Driefasig, 440-480 V	Driefasig, 220-240 V	Enkelfasig, 220-240 V
Geluidsemissies¹⁰ dB(A)				

¹⁰ Geluidsemissie naar de omgeving gemeten als geluidsvermogen volgens EN 60335-2-72. Verwachte onzekerheidsmarge 2,5 dB(A).

	Driefasig, 380-420 V	Driefasig, 440-480 V	Driefasig, 220-240 V	Enkelfasig, 220-240 V	
Geluidsvermogensniveau L_{WA} (gemeten)	96	96	96	96	96
Geluidsniveau ¹¹ dB(A)					
Geluidsdruk niveau bij het oor van de gebruiker	81	81	81	81	81
Trillingsniveau ¹² m/s²					
Rechter handgreep	1,3	1,3	1,3	1,3	1,3
Linker handgreep	1,2	1,2	1,2	1,2	1,2

¹¹ Geluidsdruk niveau volgens EN 60335-2-72. Verwachte onzekerheidsmarge 4 dB(A).

¹² Trillingsniveau volgens EN 60335-2-72. De gerapporteerde gegevens voor een trillingsniveau vertonen een typische statistische spreiding (standaardafwijking) van 1 m/s²

Verklaring van overeenstemming

EC-verklaring van overeenstemming

Wij, Husqvarna AB, SE-561 82 Huskvarna,
Zweden, tel: +46- 36-146500, verklaren onder onze
alleenverantwoordelijkheid dat het product:

Beschrijving	Polijst- en slijpparaatuur
Merk	Husqvarna
Type/model	PG 510
Identificatie	Serienummers vanaf 2022 en verder

volledig voldoet aan de volgende EU-richtlijnen en
-regelgeving:

Richtlijn/Verordening	Beschrijving
2006/42/EC	"betreffende machines"
2014/30/EU	"betreffende elektromagnetische compatibiliteit"
2011/65EU	"betreffende beperking van gevaarlijke stoffen"

en dat de volgende normen en/of technische
specificaties zijn toegepast:

EN ISO 12100:2010

EN 55014-1:2017

EN 55014-1:2021

EN 60335-1:2012/A11:2014/A13:2017

EN 60335-2-72:2012

EN IEC 63000:2018

Partille, 2022-10-11



Martin Huber

Global R&D Director

Verantwoordelijk voor technische documentatie



FR

Cet appareil,
ses cordons,
et batterie
se recyclent

À DÉPOSER
EN MAGASIN



OU

À DÉPOSER
EN DÉCHÈTERIE



Points de collecte sur www.quefairedemesdechets.fr
Privilégiez la réparation ou le don de votre appareil !

Husqvarna®

www.husqvarnaconstruction.com

Original instructions
Originalanweisungen
Instructions d'origine
Originele instructies

1143363-20



FR



2023-03-23